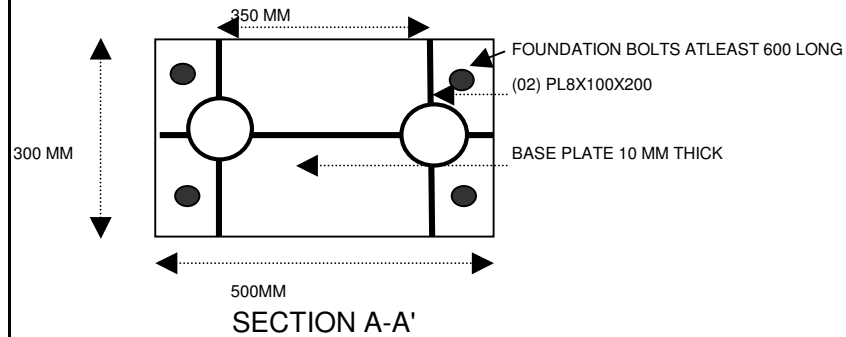
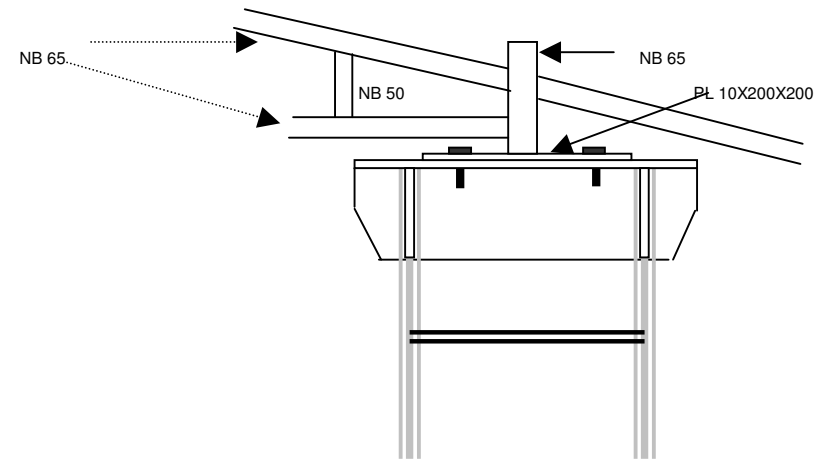


BASE PLATE/COLUMN DETAIL



Power Sector - Northern Region
Bharat Heavy Electricals Ltd.

PROJECT:			TITLE: STRUCTURAL STEEL		REV	DATE
ENABLING WORKS AT OBRA TPS			Made by	KSB	OO	22.10.07
DRG. NO.:OBRA/SITE/003	Rev	00	Checked by			
			Approved by			