

SUB: Procurement of Wrench & Spanner

NIT-Notice Inviting Tender

Salient Details of Notice Inviting Tender (NIT)		
Sl. No.	Issue	Description
1.	Item details	As per Enquiry Annexure <u>L/6455/2022/0341/Y1</u>
2.	Issue of Tender Documents	From BHEL eProcurement website https://eprocurebhel.co.in/nicgep/app (Tender documents will be available for downloading from BHEL e-Procurement website till due date of submission)
3.	Due Date Of Offer Submission	Date: Time: 09.07.2022 13:45 hrs <i>https://eprocurebhel.co.in/nicgep/app</i> <i>Offer to be submitted in online only through e-procurement Portal.</i> (Bidders are requested to visit website to view corrigendum/ addenda/ amendments/ extension/ modification etc. before submitting offer).
4.	Opening of Tender (Techno-Commercial Bid)	<i>Date: 09.07.2022 Time: 14.00 Hrs</i> <i>Notes:</i> <i>This tender being an e-tender, it shall be opened online only through the E-Procurement Portal. Participating bidders may witness the Opening online only.</i>
5.	Cost of Tender	Not applicable
6.	EMD (Earnest Money Deposit)	Nil
7.	Schedule Of Pre-Bid Discussion	Not Applicable
8.	Last Date of Seeking Clarification	Date: 08.07.2022 Time:17.00 Hrs <i>Along with soft version also, addressing to undersigned & to others as per contact address given below.</i> <i>Bidders may consider to seek clarifications on the e-tender portal---</i> https://eprocurebhel.co.in/nicgep/app
9.	Integrity Pact & Details of Independent External Monitor (IEM)	Not Applicable
10.	Make in India	(i). For this procurement, Public procurement (preference to Make in India), Order 2017 dated 04.06.2020 shall not be applicable .
11.	Restrictions under rule 144 (xi) of General Financial Rule (GFRs) 2017	All provisions of order no F.No.6/18/2019-PPD of department of Expenditure(DoE) shall be applicable for this tender enquiry (Order copy is available at https://doe.gov.in/procurement-policy-divisions). Accordingly, any bidder from a country which

		<p>shares a land border with India (except the countries to which the Gol has extended lines of credit or in which the Gol is engaged in development projects for which list is available at https://www.mea.gov.in/) will be eligible to bid in this tender only if the bidder is registered with the Competent Authority as specified in Annex I of the said Order of DoE.</p> <p>Updated list of the countries to which lines of credit have been extended or in which development projects are undertaken are available on the Ministry of External affairs website (https://www.mea.gov.in/).</p> <p>For the purpose of this order, definition of Bidder from a country which shares a land border with India shall be same as defined in the Annex III of the said order.</p> <p>Registration with the competent authority as stipulated in the said order is responsibility of bidder.</p> <p><u>Bidder has to submit a certificate certifying following along with offer:</u></p> <p><i>“I have read the clause regarding restrictions on procurement from a bidder of a country which shares a land border with India; I certify that bidder (..... Name of Bidder) is not from such a country or, if from such a country, has been registered with the Competent Authority. I hereby certify that bidder (..... Name of bidder) fulfils all requirements in this regard and is eligible to be considered”</i></p> <p>If the bidder is from such country which shares a land border with India evidence of valid registration by the Competent Authority shall also be attached along with offer.</p>
12.	E-Invoice	<p>Vendor Contract clause regarding GST ITC and provision for E-invoices w.e.f. 01.04.2021</p> <p>E-invoicing under GST is being implemented w.e.f. 01.04.2021 for all the taxable persons having turnover more than Rs. 50 Cr. It has been specified by the Govt. that it is mandatory to mention a valid unique Invoice Reference No. (IRN) and QR code as generated from Govt. portal on a Tax Invoice. Based on such information, GST ITC as claimed by BHEL in GST Returns shall be matched with the corresponding details uploaded by supplier in E-invoicing System.</p> <p>In case the vendor /contractor delays or fails to provide all the documents as per the Purchase order / Work Order at the time of submitting Tax invoice to BHEL, any subsequent financial loss to BHEL on account of vendor/contractor shall be to vendor's / contractor's account. BHEL has further right to take necessary steps to protect its interest at the time of release of payment. This further requires inclusion of IRN and QR code on tax invoice as announced by Govt. of India w.e.f. 01.04.2021.</p>

13.	Reverse Auction	Not applicable
14.	Latest Updates	Latest updates on the important dates, Amendments, Correspondences, Corrigenda, Clarifications, Changes, Errata, Modifications, Revisions, etc to Tender Specifications will be hosted in BHEL e-tender portal https://eprocurebhel.co.in/nicgep/app and not in the newspapers. Bidders to keep themselves updated with all such information

Please submit your offer only for the above requirement subject to our **GENERAL INSTRUCTIONS AND STANDARD TERMS & CONDITIONS (GISTC: Version June-21, Rev: 06)**. Please visit our site www.hwr.bhel.com for General Instructions and Standard Terms & Conditions (GISTC) for Tender Enquiries. All the bidders/vendors must ensure compliance of these GISTC. GISTC can also be referred by login to B2B Portal for Registered Vendors.

Tender Fee & EMD –Not Applicable
E-Procurement Portal Inputs

Procedure for Submission of Offer for E – Tender-Procedure for Submission of Tender is available in the “Bidder Manual for BHEL Bidders” at E-tender portal <https://eprocurebhel.co.in/nicgep/app>. Terms and conditions mentioned therein shall form integral part of the NIT and bidders shall abide by the same.

1. Hardware and Software requirements for participating in e-tender

Please refer the website for the minimum system requirements and setting document for Bidders under the link: <https://eprocurebhel.co.in/nicgep/app>

2. Digital Signature

To know the procedure for obtaining Digital Signature Certificate (DSC), suppliers who are not having the DSC are advised to visit our website <http://www.bhel.com/home.php/TenderNotifications/SampleChecklist>.

3. NIC portal Helpdesk Contacts

For any technical related queries please call at 24 x 7 Help Desk Number
0120-4001 002
0120-4200 462
0120-4001 005
0120-6277 787
International bidders are requested to prefix 91 as country code

Email Support

Address: A) For any Issues or Clarifications relating to the published tenders, bidders are requested to contact the respective Tender Inviting Authority Technical - support-eproc@nic.in

4. Note

Offers/tenders submitted in the E-tender portal shall only be considered for further evaluation. Offers sent by FAX / E-mail / any mode other than E-tender would not be entertained.

The Tenderers must submit their Tenders, as detailed below:

SPECIAL NOTE: All documents to be submitted should be uploaded in respective places in the E-Tender portal as per the list mentioned given in this NIT. BHEL shall not be responsible for incomplete documents.

For new vendors not registered with us **(Applicable only for open tender)**, kindly furnish copy of following documents:

- Company Name and Address Proof.
- GST Number (Scan Copy of Acknowledgement)
- PAN Copy
- MSME Certificate (UAN, Udyam if Any)

Commercial Term & Condition Compliance

Tender Reference No.	L/6455/2022/0341/Y1 Due date: 09.07.2022		
Item Description	Wrench & Spanner		
Vendor Name			
Quotation Reference no.		Date	

Sl. No.	<u>Techno-Commercial terms</u>	<u>Vendor Confirmation</u>
1.	Please specify whether you are manufacturer or Trader of the item.	
2.	Material will be supplied as per BHEL Specification mentioned in enquiry. Manufacturing, Testing and Certification will be as per ordering specification, if not accepted, then mention deviation.	
3.	Delivery Terms (BHEL Standard term: FOR Destination means CPS/HEEP/ BHEL Haridwar)	
4.	Despatch mode(BHEL Standard term: Through BHEL approved transporter only)	
5.	Origin of Despatch	
6.	Freight Charges ➤ Loading shall be done as per extent rules of BHEL-Haridwar, if Freight is mentioned as 'To Pay'	
7.	Packing Charges ➤ Loading shall be done as per extent rules of BHEL-Haridwar, if Packing charges is 'Extra'	
8.	Forwarding Charges ➤ Loading shall be done as per extent rules of BHEL-Haridwar, if Forwarding charges is 'Extra'.	
9.	Delivery Period in weeks/months (Lead Time from PO date)	
10.	Payment term: "100% payment after receipt & acceptance of material at BHEL HEEP Haridwar".	

	<ul style="list-style-type: none"> ➤ If vendor deviates from BHEL's standard payment term, loading on account of deviation in standard payment term shall be done as per extent rules of BHEL-Haridwar (Refer GISTC) 	
11.	<p>Bank Charges</p> <ul style="list-style-type: none"> ➤ If BHEL's Standard Payment terms accepted then bank charges not applicable, otherwise please mention 	
12.	Rate of GST (CGST/SGST/IGST) extra in % (for Indian Bidder only)	
13.	Test certificate (if applicable) as per Specification shall be provided.	
14.	Guarantee Certificate (if applicable) shall be provided.	
15.	<p>Liquidated Damages (LD) for Late Deliveries shall be applicable @0.5% per week or part thereof on the value of respective delayed supplies subject to maximum of 10% of the value of respective delayed supplies. If vendor do not mention anything about LD clause in their offer, then it shall be presumed to be acceptable. No further clarification shall be asked in this regard after opening of techno-commercial bid part-1.</p> <p>If vendor don't accept this clause, then loading shall be done as per extent rules of BHEL-Haridwar.</p>	
16.	<p>Quotation Validity</p> <ul style="list-style-type: none"> ➤ As per NIT, Validity is 90 days from techno-commercial bid opening date. 	
17.	Currency	
18.	The evaluation currency for this tender shall be INR.	
19.	Are you registered under Micro Small Enterprises (MSE vendor)? if Yes then provide Udyam Certificate (for Indian Bidder only)	
20.	Any other comments (like any other charges, order to be placed on etc.)	
21.	BHEL reserve the right to change the quantity/ Part quantity at the time of ordering.	
22.	Vendor to ensure that their quoted rates are not more than those quoted for any other customer including other BHEL units.	
23.	<p>Vendor to declare that they will not enter into any illegal or undisclosed agreement or understanding, whether formal or informal with other Bidder(s). This applies in particular to prices, specifications, certifications, subsidiary contracts, submission or non-submission of bids or any other actions to restrict competitiveness or to introduce cartelization in the bidding process.</p> <p>In case, the Bidder is found having indulged in above activities, suitable action shall be taken by BHEL as per extant policies/ guidelines.</p>	
24.	Vendor to quote best possible delivery in the offer.	
25.	PO No. &/or Vendor's Emblem/seal shall be clearly punch marked/Etched on each item.	
26.	Hardness test report required as per drawing.	
27.	Price bids shall be opened for only those bidders who qualifies PQR and technical specification & whose techno-commercial bid is acceptable to BHEL.	
28.	Remaining terms and conditions shall be as per General instruction and standard terms & conditions (GISTC) version June 21 rev: 06.	
29.	In case of any difference in conditions quoted above & elsewhere in the offer, terms quoted above shall be treated as final and binding on vendor.	

DUEDATE

09-07-2022

SL	MATERIAL CODE ITEM DESCRIPTION	QUANTITY	UNIT	LOTNO	LOT DELIVERY QTY SCHEDULE
1	AAA781204046 WRENCH DRG.NO.-R7812-0404	3	NO	1	3 30/11/22
2	AAA781204020 SPANNER DRG.NO.-R7812-0402	4	NO	1	4 30/11/22

** IMPORTANT: This enquiry is 2 part tender. Techno-Commercial bid (Part-1) & Price Bids (Part-2) should be submitted in separate envelopes. These two envelopes should be submitted in a common sealed envelope. Techno-Commercial Bid shall contain detailed Technical Specification, Drawings Technical documents, Catalogues, taxes & duties, payment terms, delivery period, Validity of offer, Replica of Price Bid (Copy of price bid without price part) etc. The confirmation to the special terms & conditions must be submitted alongwith Techno-Commercial bid.

Special Instructions:

1. Vendor to quote best possible delivery.
2. For this procurement, Public procurement (preference to Make in India), Order 2017 dated 15.06.2017, 28.05.2018, 29.05.2019 & 04.06.2020 and subsequent orders issued by the respective nodal ministry shall not be applicable.
3. Rest terms and condition shall be as per latest General Instructions and Standard Terms & Conditions for bidding against Tender Enquiry (GISTC) For Indian Bidders (Version June-2021, Rev: 06).
4. Price bids shall be opened for only those bidders who qualifies PQR and whose techno-commercial bid is acceptable to BHEL.
5. PO No. &/or Vendor's Emblem/seal shall be clearly punch marked/Etched on each item.
6. Hardness test report required as per drawing.
7. Liquidated Damages (LD) for Late Deliveries shall be applicable @0.5% per week or part thereof on the value of respective delayed supplies subject to maximum of 10% of the value of respective delayed supplies. If vendor do not mention anything about LD clause in their offer, then it shall be presumed to be acceptable. No further clarification shall be asked in this regard after opening of techno-commercial bid part-1.


SL	MATERIAL CODE ITEM DESCRIPTION	QUANTITY	UNIT	LOTNO	LOT DELIVERY QTY SCHEDULE
----	-----------------------------------	----------	------	-------	------------------------------

GURU PRATAP
DY. MANAGER

Indent no : 2022-0341

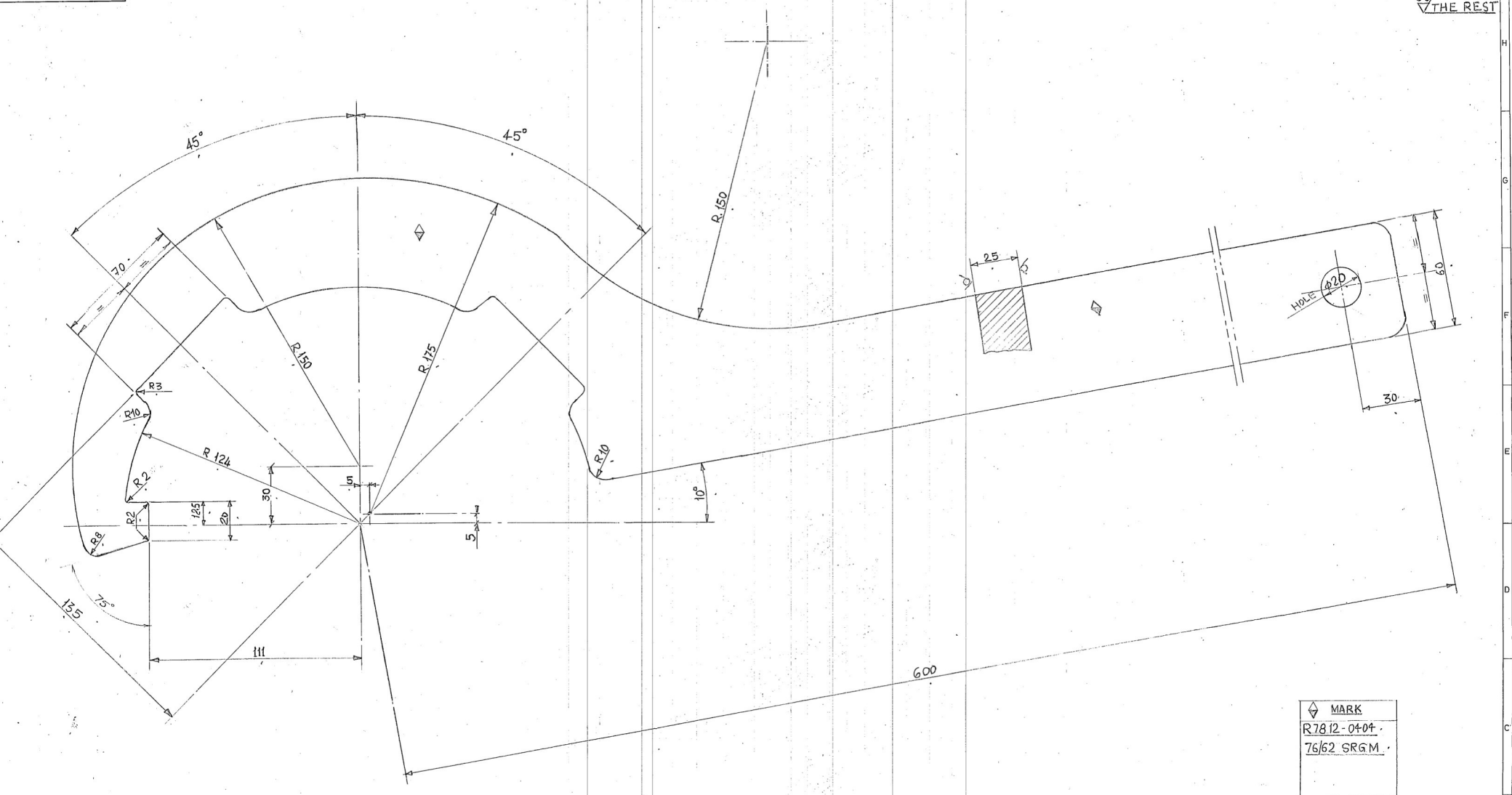
01.00	PRE QUALIFYING CONDITIONS	REQUIRED
01.01	<p>a). Only those vendors to quote who are Original Equipment Manufacturers of Wrench/Spanners should quote. (Authorized channel partner/associates of above OEMs may also quote on their behalf. In such case, valid Authorization Certificate issued by OEM on their letter head is to be furnished with the offer)</p> <p>b.) Vendors to provide satisfactory documentary proof w.r.t experience as mentioned in point 01.01.a This is required from all the vendors for qualification of their offer.</p>	Vendor to accept/agree and provide details
01.02	Vendor to provide name, designation and contact details (phone number, email address etc.) of the customer for whom such items at Sl. No 01.01 (a) are supplied.	Vendor to accept/agree and provide details
01.03	BHEL reserves the right to verify the information provided by vendor. In case the information provided by vendor is found to be false/ incorrect, their offers shall be rejected.	Vendor to accept/agree

02.00	TECHNICAL SPECIFICATIONS	REQUIRED
02.01	Vendors to confirm that the items quoted shall be as per BHEL drawing only.	Vendor to confirm
02.02	Vendors to confirm that the all item material quoted shall be as per BHEL drawing only.	Vendor to confirm


E1/TR
राजेश कुमार
अभियन्ता (दुल रुम)
बी.एच.ई.एल.हीप, हरिद्वार

DRAWING NO. R 7812-040

63 THE REST



MARK
R7812-0404
7662 SRGM

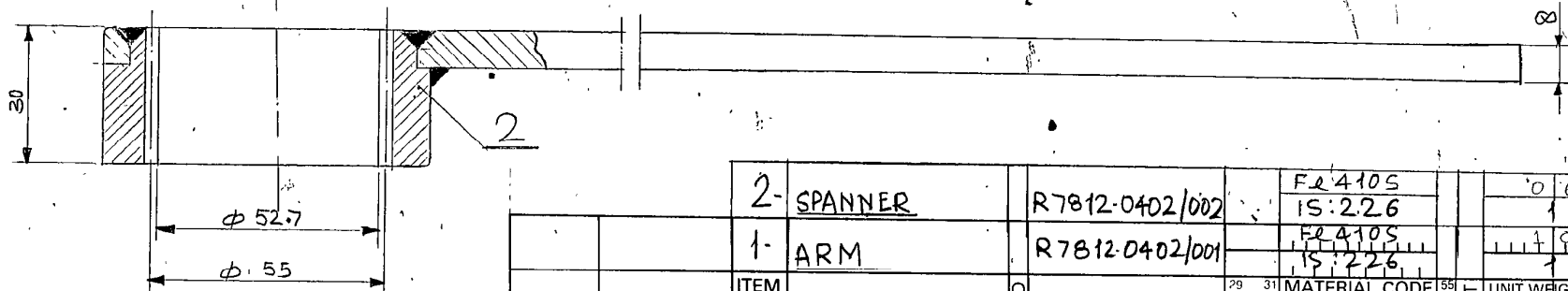
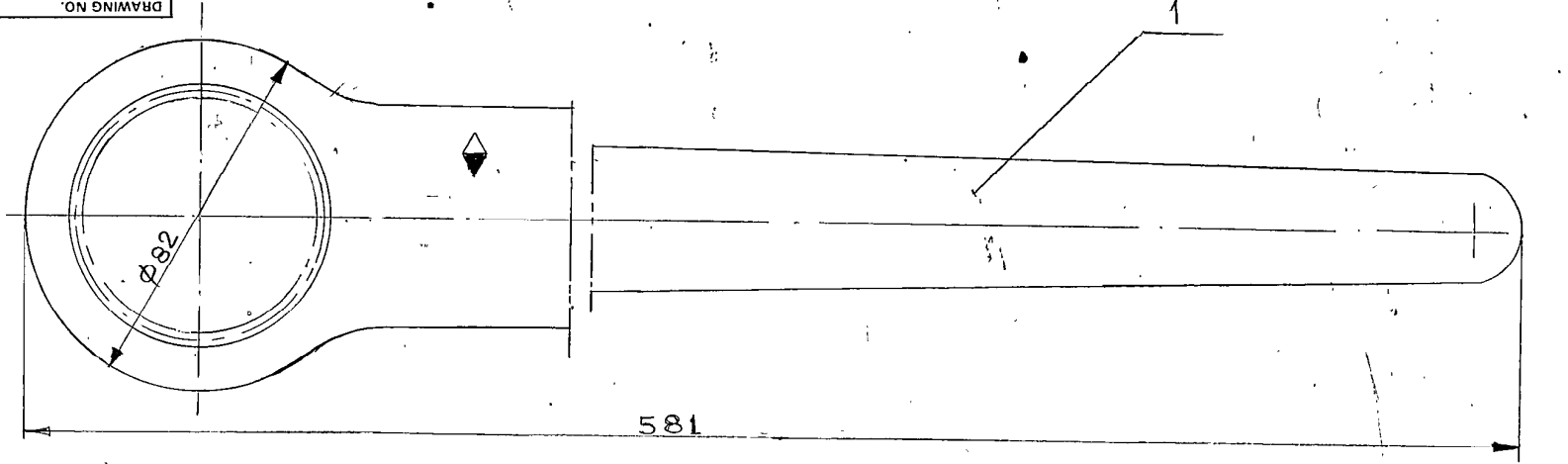
- NOTE-
- 1- TO BE CONSERVED AS PERTL- 30007.
 - 2- HARDEN TO HRC 40±4.5 AS PER INSTRUCTION NO: PS 0312-008.
 - 3- SHARP EDGES TO BE ROUNDED OFF.

GMS NO./GR. SR. NO.		STATUS OF DRG.	TYPE OF PRODUCT		COMP. DRG. NO.	M/C TOOL TRANSFER NO.		REF. NO.
7662	SRGM	21-2-76	7662 SRGM					
AGREED BY		NAME	SIGN	DATE	WORK ORDER NO.		MODEL NO.	
DEP.		ADHARAB		21-2-76	DEP OM F 066			
REV. DATE		ALTERED	CHECKED	REV. DATE	ALTERED	CHECKED	DEPT. JTE	
							SCALE	
							1:1	
							WEIGHT (kg)	
							84	
							REF. TO ASSY. DRG.	
							ITEM NO.	
							75, 77	
							NO. OF ITEMS	
							75, 77	
							TITLE	
							WRENCH FOR ITEM NO	
							1376-01-172	
							DRAWING NO.	
							R7812-0404	
							TOTAL SHEETS	
							1	
							TOTAL A4 S.	
							22, 23, 24	
							TOTAL A4 S.	
							8	
							SIZE A1	

FIRST ANGLE PROJECTION (ALL DIMENSIONS ARE IN mm)

FORM DG-38

DRAWING NO. R7812-0402



TO BE CONSERVED AS PER TL-30007.

ALL WELDING SEAMS ARE 4MM THICK

VAR 00	REMARKS	ITEM No.	DESCRIPTION	DWG No.	29	31	MATERIAL CODE	55	UNIT WEIGHT	65	66	67	68	69	70	71	72
		2	SPANNER	R7812-0402/002			F24105 IS:226		0.6								
		1	ARM	R7812-0402/001			F24105 IS:226		1.0								

GMS No./GR. SP. No.				STATUS OF DRG		TYPE OF PRODUCT		COMP. DRG. NO.		M/C TOOL TRANS NO.		REF. NO.	
AGREED DEPT NAME SIGN DATE				3.3.94		76/62 SRGM		DFP OMF 025		MODEL NO.		INVENTORY NO.	
DPP ADHIKARI						BHARAT HEAVY ELECTRICALS LTD.		HARDWAR		DRN NAME UJESH P. SIGN Date 21-2-94		No OF VAR	
GRADE OF UNTOL. DIM. :- M						M/CG - K/M/H AA 023 0208				CHD V.K.G./V.K.G. SIGN Date 24/2/94		73 74	
WELDING -- 'T1' O 610.003						GAS CUTTING -- 'T3' AA 0621101				APPD M.M.A. SIGN Date 03		75 76	
REV DATE ALTERED CHECKED						DEPT J.T.E.		SCALE 1:1		WEIGHT (KG) 1.6		REF. TO ASSY. DRG.	
ZONE						CODE 209		TITLE SPANNER.		DRAWING No R7812-0402		REV 22 23 24	
										SHEET No		No. OF SHEETS	

TOTAL SHIT = 3 TOTAL AN = 5

COPYRIGHT AND CONFIDENTIAL. The information of this document is the property of BHARAT HEAVY ELECTRICALS LIMITED. It must not be used directly or indirectly in any way detrimental to the interest of the Company.

4276-02-010/02 REF DRG No

SIGN & DATE

3-14698 INVENTORY No

MARK
R7812-0402
76/62 SRGM

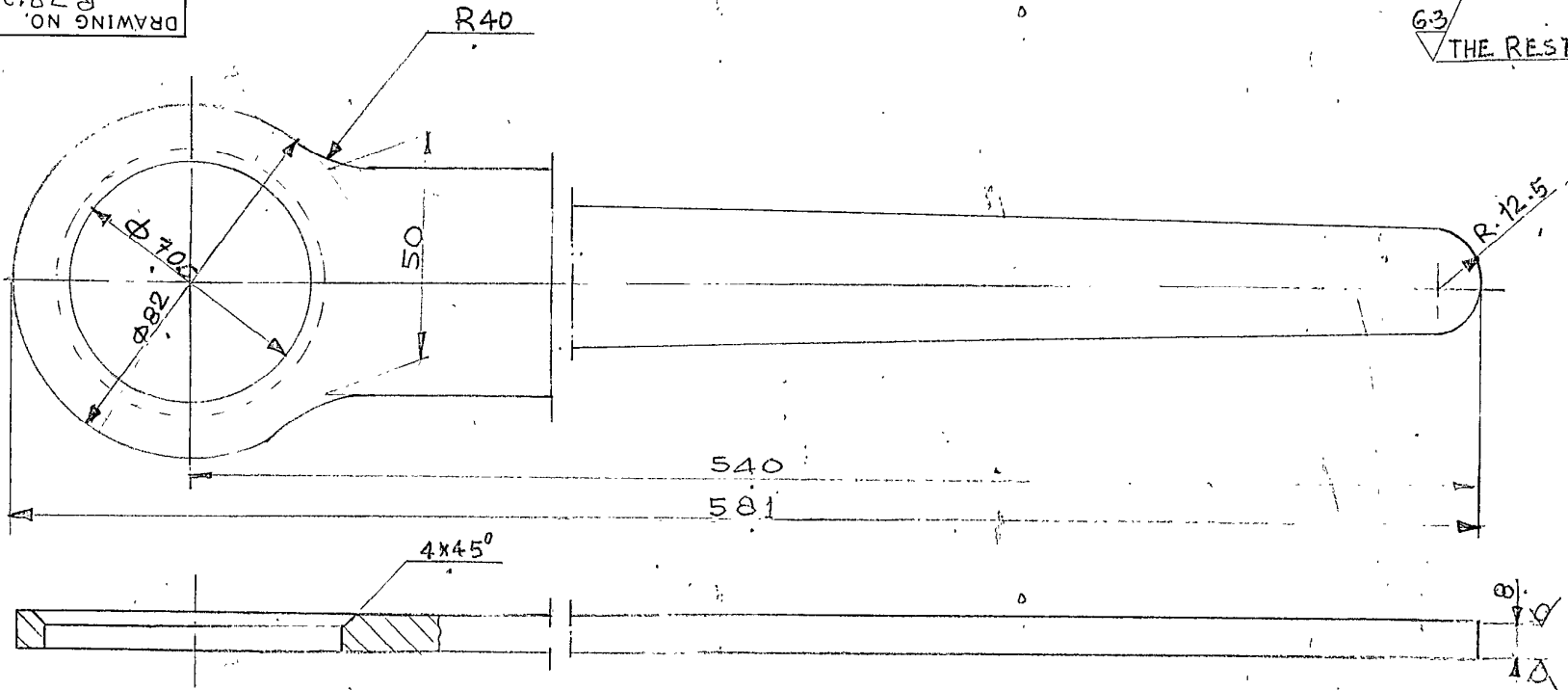
FIRST ANGLE PROJECTION

(ALL DIMENSIONS ARE IN mm)

FORM DG38(B)

DRAWING NO. R7812.0402/001

63 THE REST



ALL INFORMATION ON THIS DOCUMENT IS THE PROPERTY OF BHARAT HEAVY ELECTRICALS LIMITED IT MUST NOT BE USED DIRECTLY OR INDIRECTLY IN ANY WAY, DETRIMENTAL TO THE INTEREST OF THE COMPANY

ROUND OFF SHARP EDGES.

VAR. 00	REMARKS	ITEM NO.	DESCRIPTION	STD	DRAWING NO.	29 31	Fe 410 S	UNIT WEIGHT
59 64 65		75 25 27 29		58 69 60		77	151226	65 5
CARD TYPE 3 28 → 28 → CARD TYPE-1						28 → CARD TYPE-2		

GMS NO./GR.SP. NO.	STATUS OF DRG.	TYPE OF PRODUCT OR NAME OF CUSTOMER / PROJECT
AGREED DEPT.	NAME SIGN DATE	

GRADE OF UNTOL. DIM. —	
M/CG-C/M/P	AA 0230208
WELDING-A/B/C/D	AA0621104
GAS CUTTING T3	AA 0621101
REV/DATE	ALTERED CHECKED

BHARAT HEAVY ELECTRICALS LTD. HARDWAR		NAME SIGN DATE	NO. OF VAR.
DEPT. JTE		DRN UMESH P. Uma	73/74
CODE 209		CHD VKG/NKC (1) (2) (3)	75/77
TITLE		APD	
SCALE 1:1	WEIGHT (kg) 1.0	REF. TO ASSY. DRG. R7812-0402	ITEM NO 1
DRAWING NO. R7812-0402/001		NO. OF SHEETS 22 23 24	
SHEET NO.		NO. OF SHEETS	

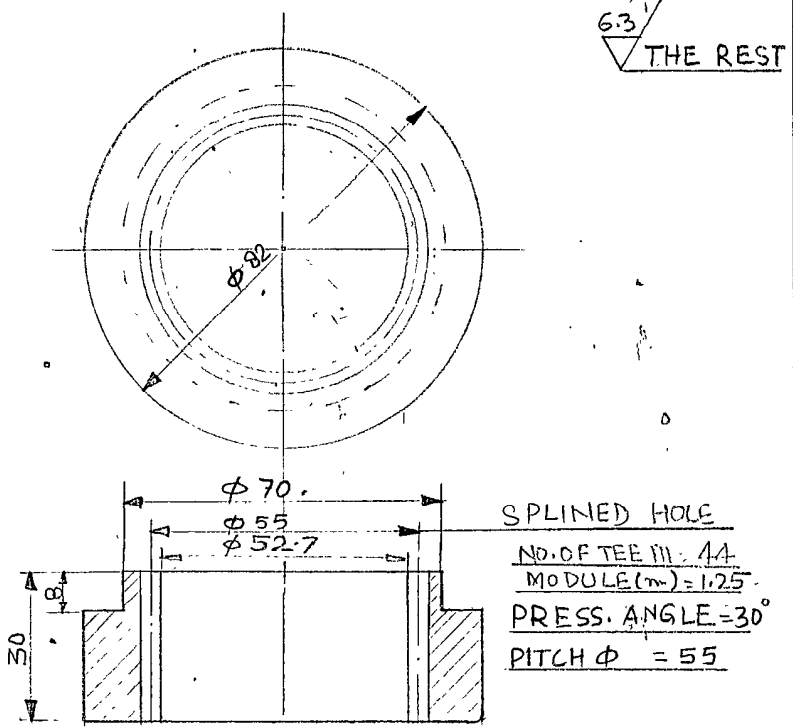
REF. DRG. NO.
SIGN & DATE
INVENTORY NO. 3-14698

FIRST ANGLE PROJECTION (ALL DIMENSIONS ARE IN mm) FORM DG 39(b)

COPYRIGHT AND CONFIDENTIAL
THE INFORMATION ON THIS DOCUMENT IS THE PROPERTY OF BHARAT HEAVY
ELECTRICALS LIMITED IT MUST NOT BE USED DIRECTLY OR INDIRECTLY IN
ANY WAY DETERMINENTAL TO THE INTEREST OF THE COMPANY

REV	DATE	ALTERED	REV	DATE	ALTERED	GMS No. / GR-SP No.	STATUS
		CHECKED			CHECKED		OF DRG
						APPROVED	
						NAME	SIGN
						DATE	

GRADE OF UNTOL. DIM-M/CGE/M/FAA 023020 B WELDING A/B/C/D AA 0621T04 GAS CUTTING-T3 AA 0621T01



SPLINED HOLE
NO. OF TEE III: 14
MODULE (m) = 1.25
PRESS. ANGLE = 30°
PITCH Φ = 55

REF. DRG. No.	REMARKS		ITEM No.	DESCRIPTION	MATERIAL CODE	UNIT WEIGHT
	65	75 25 27 29	58	VAR: MATERIAL SPEC. C	A	58 65
SIGN & DATE	CARD TYPE 3		28	CARD TYPE 1	28	CARD TYPE 2
	BHARAT HEAVY ELECTRICALS LTD.		HARDWAR		NAME	SIGN
INVENTORY No.	DEPT. JTE	SCALE	WEIGHT (kg)	REF. TO ASSY. DRG.	ITEM No.	No OF ITEMS
	CODE 209	1:1	0.6	R7812-0402	2	75, 77
TITLE SPANNER				DRAWING No.	No OF SHEETS	
				R7812-0402/002	22 23 24	
				SHEET No.	No OF SHEETS	

3-14698