

# TENDER ENQUIRY NO.: X/6620/RC0258

## SUB:- TERMS & CONDITIONS FOR FABRICATION OF ITEMS WITH 10-50% UT/RT FOR CONDENSER ASSEMBLIES ETC.

### NIT-Notice Inviting Tender

Salient Details of Notice Inviting Tender (NIT)		
Sl. No.	Issue	Description
1.	Item details	As per Enquiry Annexure X/6620/RC0258
2.	Issue of Tender Documents	From BHEL eProcurement website <a href="https://eprocurebhel.co.in/nicgep/app">https://eprocurebhel.co.in/nicgep/app</a> (Tender documents will be available for downloading from BHEL e-Procurement website till due date of submission)
3.	Due Date Of Offer Submission	Date: <b>19-10-2023</b> Time: <b>13:45 hrs</b> <a href="https://eprocurebhel.co.in/nicgep/app">https://eprocurebhel.co.in/nicgep/app</a> <b>Offer to be submitted in online only through e-procurement Portal.</b> (Bidders are requested to visit website to view corrigendum/ addenda/ amendments/ extension/ modification etc. before submitting offer).
4.	Opening of Tender (Techno-Commercial Bid)	<b>Date: 19-10-2023 Time: 14.00 Hrs</b> Notes: <b>This tender being an e-tender, it shall be opened online only through the E-Procurement Portal. Participating bidders may witness the Opening online only.</b>
5.	Cost of Tender	INR 2000/- (If hard copy of tender document is required from BHEL otherwise not applicable.)
6.	EMD (Earnest Money Deposit)	<b>Rs. 2,00,000</b>
7.	Schedule Of Pre-Bid Discussion	Not Applicable
8.	Integrity Pact & Details of Independent External Monitor (IEM)	Not Applicable
9.	Latest Updates	Latest updates on the important dates, Amendments, Correspondences, Corrigenda, Clarifications, Changes, Errata, Modifications, Revisions, etc to Tender Specifications will be hosted in BHEL e-tender portal <a href="https://eprocurebhel.co.in/nicgep/app">https://eprocurebhel.co.in/nicgep/app</a> and not in the newspapers. Bidders to keep themselves updated with all such information

Please submit your offer only for the above requirement subject to our **GENERAL INSTRUCTIONS AND STANDARD TERMS & CONDITIONS (Version: June-2021, Rev.06)**. Please visit our website [www.hwr.bhel.com](http://www.hwr.bhel.com) for General Instructions and Standard Terms & Conditions (GISTC) for Tender Enquiries. All the bidders/vendors must ensure compliance of these GISTC. GISTC can also be referred by login to B2B Portal for Registered Vendors.

**Tender Fee & EMD (If Applicable)** will be submitted in the form of Pay Order / Demand Draft (drawn in favor of 'BHEL HARIDWAR') only. It may be noted that if hard copy of any tender document is required, then the same may be collected against copy of Pay Order / Demand Draft of requisite tender fee (while original to be submitted with Part-I).

# TENDER ENQUIRY NO.: X/6620/RC0258

**If EMD is not submitted along with the offer, then the offer may not be considered.**

For E-Payment, the RTGS details are mentioned as below:

Bank Details	SWIFT Details of bank
STATE BANK OF INDIA RANIPUR BRANCH, OPP: BHEL MAIN GATE, SECTOR-5, RANIPUR, HARIDWAR, UTTRAKHAND, INDIA PIN CODE : 249403	SWIFT NO.: SBININBB225 CC ACCOUNT NO.: 10667995458 IFSC CODE: SBIN0000586

As per notification reference no. NSIC/HO/GP/15(4)/2013-14 dated 07.07.2013 Micro & Small Enterprises (MSEs) are not required to submit Tender fees. A Valid MSE/MSME certificate such as Udyog Aadhar (UAN)/Udyam Certificate/NSIC/EM (Part-II) etc. issued from competent authority shall be submitted in support of Micro & Small Enterprises (MSEs).

“As per the OM No. F. No. 1(2)(1)/2016-MA dated. 09.02.2017 issued from the Office of Development Commissioner (Micro, Small & Medium Enterprises), “Traders and agents should not be allowed to avail the benefits extended under the PP Policy.”

Central / State – PSUs / Government departments are exempted from submission of EMD subject to approval by BHEL management.

BHEL will forfeit the EMD if, the successful bidder / vendor refuses to honor the order after award of the same on him and / or withdraws his bid and / or unilaterally changes the offer and / or any of its terms & conditions within the validity period.

## **INSTRUCTIONS TO BIDDERS FOR SUBMITTING OFFER**

**TECHNICAL QUALIFICATION:** Technical Requirement, Pre-Qualifying Requirements/PQR to be submitted. It is the mandatory requirement. Offer of vendors not meeting these requirements may not be considered.

## **ESSENTIAL INSTRUCTIONS**

The tender shall be **submitted in two parts** in separate cover as described below on or before the due date:

**Part I (Cover-1) - Containing the following:**

1. Techno -Commercial Bid
2. Tender Fee & EMD (Earnest Money Deposit) Or Valid certificate/Document towards exemption of Tender fee and/or EMD (applicable for Micro and small Enterprises, Central / State – PSUs / Government departments, PMD vendors etc.)

**Part II (Cover-2) - Containing Price Bid in attached Format**

Bidders against tender will necessarily have to obtain class – III DSCs. Procedure for application available on [www.bhel.com](http://www.bhel.com).

## **E-Procurement Portal Inputs**

## **TENDER ENQUIRY NO.: X/6620/RC0258**

**Procedure for Submission of Offer for E – Tender-**Procedure for Submission of Tender is available in the “Bidder Manual for BHEL Bidders” at E-tender portal <https://eprocurebhel.co.in/nicgep/app> . Terms and conditions mentioned therein shall form integral part of the NIT and bidders shall abide by the same.

### **Hardware and Software requirements for participating in e-tender**

Please refer the website for the minimum system requirements and setting document for Bidders under the link: <https://eprocurebhel.co.in/nicgep/app>

### **Digital Signature**

To know the procedure for obtaining Digital Signature Certificate (DSC), suppliers who are not having the DSC are advised to visit our website [http://www.bhel.com/home.php/Tender Notifications/Sample Checklist](http://www.bhel.com/home.php/Tender%20Notifications/Sample%20Checklist).

### **NIC portal Helpdesk Contacts**

For any technical related queries please call at 24 x 7 Help Desk Number

0120-4001 002

0120-4200 462

0120-4001 005

0120-6277 787

International bidders are requested to prefix 91 as country code

### Email Support

Address: A) For any Issues or Clarifications relating to the published tenders, bidders are requested to contact the respective Tender Inviting Authority Technical - [support-eproc@nic.in](mailto:support-eproc@nic.in)

### **Note**

Offers/tenders submitted in the E-tender portal shall only be considered for further evaluation. Offers sent by FAX / E-mail / any mode other than E-tender would not be entertained.

The Tenderers must submit their Tenders, as detailed below:

**SPECIAL NOTE:** All documents to be submitted should be uploaded in respective places in the E-Tender portal as per the list mentioned given in this NIT. BHEL shall not be responsible for incomplete documents.

**TERMS & CONDITIONS FOR RATE CONTRACT**  
**(GENERAL FABRICATION ITEMS WITH 10-50% UT/RT FOR CONDENSER ASSEMBLIES ETC. )**

**1. SCOPE OF WORK :-**

**1.1** This Rate Contract is for Fabrication including pre-fabrication, machining with surface finish of 6.3 microns as per BHEL drawings and conforming to their technical requirements (Gen. Assemblies with 10-50% UT/RT) for 500/600/660/800 MW sets etc. Bottom Plates, Dome walls, Hot well, Main Oil Tank, Embedment parts etc. of various drawings as per Specification No. AA0622101, HW0850199, HW0998005 etc covered in vendor list AF082. BHEL material `or` combination of BHEL & Party material.

**Expected Load during year = 2077 MT**

- 1.2** Final stress relieving, shot blasting, final painting and final machining are excluded from the Party's scope of work. However, a single coat of red oxide primer is to be applied, wherever called for.
- 1.3** Subcontractor can use following grades of materials up to sizes as specified against each grade, which are easily available of required quality in the market:

SL	MATERIAL CATEGORY	DESCRIPTION	REQUIRED SIZES
1	AA10108	<i>Structural steel standard quality (plates, sections, strips, flats, bars)</i>	<i>Upto 63mm</i>
2	AA10119	<i>Structural steel standard quality (plates, sections, strips, flats, bars)</i>	<i>Upto 63mm</i>
3	Rolled sections like angles, beams, channels etc	Rolled sections like angles, beams, channels etc.	Any Size
4	AA10208	<i>Hot rolled carbon steel bars, Grade ; 40C8- Normalised</i>	<i>Upto 63mm</i>
5	AA10109	<i>Hot rolled carbon steel bars</i>	<i>Upto 63mm</i>
6	AA10218	<i>Hot rolled carbon steel bars -H&amp;T</i>	<i>Upto 63mm</i>
7	BQ-AA10401	<i>Carbon steel plates - Intermediate and high temperature</i>	<i>Upto 50mm</i>

8	AA10152	Steel Tubes - Electric Resistance Welded/ Submerged Arc welded	Any Size
9	AA10147 (ERW pipe of any OD)	Carbon Steel Pipes- Electric Resistance Welded/ Submerged Arc welded	Any Size
10	AA10111	Hot Rolled Carbon Steel Sheet (410N/mm <sup>2</sup> Tensile)	2.5 to 4.0 mm
11	AA10112	Bright Steel Bars and Sections (Standard Quality) I-Beam/ Equal Angles	Small Sections

Sub-contracting of items for sizes beyond above mentioned grades, will be done with BHEL material. Other grades of material which are not covered above, sub-contracting will be done with BHEL material. However, some party material may be provided by BHEL as per BHEL requirements.

- 1.4 The fabricated items delivered to BHEL, if further require any assembly, welding and NDT work as per drawing/QP after SR/SB including customer clearance shall also be in the scope of sub-contractor/Vendor.
- 1.5 Cleaning of parts, removal of mill scale from components prior to assembly will also be in scope of sub-contractor.
- 1.6 The rate(s) should be quoted in Rupees/Kg in **Price bid**. The rates shall include all consumables as stipulated in Drawings /WPS/QP/MP including D. P. Test and UT/RT.
- 1.7 Only BHEL/Lloyds approved qualified welders must be employed on the job.
- 1.8 Electrodes/consumables to be procured from BHEL approved vendors
- 1.9 Drg No., CBOM, Part drawing are attached of Hotwell-I Drg No. 11604570020-00 are for reference only (ordering will be done based on actual requirement).
  - a) Material OF IT NO-8,9,11,24,27-6,27-7,28,29-1 & 30 WILL BE SUPPLIED BY BHEL.
  - b) Material OF IT NO-21,22,27-11,27-12 & 27-13 WILL NOT BE SUPPLIED TO VENDOR AND WILL BE ASSEMBLED AT BHEL
  - c) ALL OTHER ITEMS WILL BE PARTY MATERIAL.

**2. VALIDITY:-**

The validity of offers by vendors should be at least for a period of **90 days for this enquiry from the date of enquiry opening.**

The rate contract shall be valid for a period of **ONE YEAR** for issue of orders from the date of award of final contract. However, BHEL reserve the right to extend the Rate Contract with same terms & conditions for additional one year with mutual agreement from both the side.

**3. SUBMISSION OF OFFERS: -**

Open tender is hoisted on the <https://eprocurebhel.co.in/nicgep/app> and no hard copy of document is provided by BHEL, no tender fee shall be insisted upon from the bidders.

The offer is to be submitted in **two parts** on NIC portal only on website:

<https://eprocurebhel.co.in/nicgep/app>

BHEL reserves the right to reject any or all the tenders either in full or part thereof without assigning any reasons thereof.

**4. TRANSPORTATION:-**

Transportation of PPMIV material (raw material) will be in scope of BHEL. However, the same will be loaded into the cost quoted by vendor in RA sheet.

Vendor to deliver fabricated/machined/formed items to BHEL Haridwar at their own cost.

**5. DELIVERY: -** F.O.R. HEEP, BHEL Hardwar.

**6. DELIVERY SCHEDULE:-**

In case of BHEL material `or` Combined (BHEL & Party) material: within **75 days** after receipt of material from BHEL.

**7. LD CLAUSE: -**

@ 0.5% per week subject to max 10% for the delayed portion of supply. The entry date mentioned by CISF on the challan at BHEL material gate will be taken as material receipt date.

**8. INSPECTION: -**

- a. The inspection will be carried out by BHEL/BHEL nominated inspection agency at party works strictly as per drawing/ standard and approved quality plan requirements. All facilities and equipment, calibrated instruments and standard gauges required for inspection shall be provided by the fabricator during inspection. In some cases, inspection by customer's representatives

- like NTPC/ RITES etc. may also be carried out at Party's works and CHP clearance may be obtained. No additional charges will be paid on this account.
- b. The party is to follow system for material control as per BHEL Quality Control system.
  - c. Material Used should be procured from BHEL approved vendor only.
  - d. Identification marks shall be punched on each item by the vendor i.e. Purchase Order No., Drawing No., IR No. & W.O. no. etc.
  - e. Aesthetic look is to be maintained as per drawing requirement.
  - f. Vendor to submit quality plan/mfg. plan, as applicable, in Microsoft word format with seal and signature of the vendor for review and approval of customer through BHEL, Haridwar prior to start of work.
  - g. All the inspection calls are to be given to quality & AIX-F executive.
  - h. Documents of dispatch, delivery challan, IR, all relevant quality documents (TC, dimensional reports, UT, RT, DPT reports etc) are to be submitted in three sets (one each to AIX –F executive, Finance and store)
  - i. Firm quality requirement will be provided while placing the orders against this rate contract.

#### **9. GUARANTEE CERTIFICATE:-**

The vendor shall warrant that the supplied fabricated assemblies/items comply fully with the drawings and other technical conditions. If the fabrications/items are found defective owing to faulty workmanship/incomplete work within a period of eighteen (18) months from the date of dispatch, the vendor shall make good of it/replace the same free of cost. Alternatively, the rework/replacement charges will be recovered.

#### **10. PAYMENT TERMS:-**

90% after acceptance & final clearance of SRIV. 10% after FTS and final accountal of material.

No packing and forwarding charges will be paid extra.

In case of rejection, total cost of material will be recovered in case of BHEL Material and no labour cost will be paid.

For MSEs (covered under MSME Act) which are registered and periodically renewed with BHEL, the payment will be made within 45 days or as prescribed in the relevant act.

Detailed terms at clause 10.0 of GISTC Rev. 06, June 2021.

#### **11. Bank Guarantee/Indemnity Bond: -**

10 % Bank Guarantee and 90% Indemnity Bond for the value of materials to be given by vendor for free issue materials. Material value will be calculated on PPMIV/Challan value basis. On intimation from BHEL regarding BG & IB, the same shall be provided by the vendor (s) within 15 Days. If suitable BG and IB are not submitted to BHEL within 15 days of intimation, then the amount of days delayed

beyond 15 days after intimation will be deducted from delivery days of that item and consequent PO amendment will be issued.

**For Example:** If intimation for requirement of BG & IB of an item of a PO is given to vendor on 01.04.2023 from BHEL, then vendor should mandatorily provide required BG and IB by 15.04. 2023. In case, the vendor provides the same by 30.04.2023, then the difference of 15 days (between 30.04.2023 & 15.04.2023) will be deducted from delivery days of that item and consequent PO amendment will be issued.

## **12. GST: -**

As per clause 11.0 of GISTC (attached). it will be as applicable as per Govt. guidelines /circulars.

## **13. REJECTION:-**

No rejection allowance is allowed. BHEL would recover full value of the material damaged. In case of defect observed on material supplied by BHEL at any stage of operations and material stands rejected, then BHEL will pay for the part operations performed by the sub-contractor and such payment shall be made after joint certification by the QC, Technology and Shop Planning Personnel.

## **14. SCRAP:-**

- a. Generated scrap is to be retained by the sub-contractor. This scrap is chargeable. Scrap rate will be calculated based on the monthly market scrap price Published in MSTC Bulletin/any other document under category of scrap MELTING SCRAP. The date of receipt of material will be considered for calculating the scrap value as applicable for that month. For this purpose, MSTC rates of a particular month shall be applicable four months preceding these rates for example rates of June MSTC Bulletin/ any other document under category shall be applicable for the month September. The calculated monthly price for charging scrap will be rounded off to two decimal places of Rupee. The present monthly price applicable for September 2023 is Rs. 37.76 per Kg. TDS on scrap shall also be applicable.
- b. BHEL would recover the amount of GST and Trade Tax as applicable from the sub-contractor's account in lieu of scrap retained by them. The difference between raw material weight and finalized weight shall be considered for the calculation of scrap generation.
- c. A 3% invisible cutting allowance shall be given on the finished weight.

**15. RECTIFICATION: -**

(A) Any rectification (noticed at Shop) arising out of the fabrication/wrong manufacturing done by the sub-contractor, will have to be rectified within 10 days by the sub-contractor at their own cost. Otherwise BHEL will be free to take necessary action as deemed fit and consequence/cost of the same will be to subcontractors-account.

(B) In case of material is not found suitable for use & finally rejected, the total cost of BHEL material shall be recovered from the vendor & no labour cost will be paid.

**16. EXTRA RATES:-**

In case, extra work is required due to change in Drawing / any deviation in fabricated weight at a later stage (duly verified by our Engineering Dept.), extra charges may be paid and purchase order will be amended.

In case extra work is required due to change in Drawing/ technology / extra joints (owing to non-availability of required size of raw material) / defects like laminations if any on BHEL supplied plates etc. / any deviation in fabricated weight (duly verified by WT), extra charges will be paid and purchase order may be amended accordingly.

**17. SUB CONTRACTORS FABRICATION CAPACITY/DISTRIBUTION OF LOAD:-**

**The sub-contractor must indicate the fabrication capacity reserved for BHEL & specifically for this enquiry as per annexure-A** considering the following points.

Enquiry has been issued with following terms & conditions :

- 1) In view of shop manufacturing capacity constraints & to cope up with the increased fabrication load, it is proposed to enter into rate contract with 6 BHEL approved subcontractors or the case may be. Load distribution among four evaluated subcontractors shall be, L-1= 30%, L-2= 22%, L-3= 17%, L-4= 13%, L-5 =10% and L6 = 8% respectively out of BHEL load while placing the orders. Load distribution shall be done after counter offering L-1/lowest rate to L-2, L-3, L-4 and so on vendors.
- 2) If any of the vendor (L-2 to L-6) does not accept the c/offer rate, then subsequent vendors (L-7 to L-n, where n is the number of bidders) shall be approached.
- 3) This process will continue till we get 5 such vendors who accept the counter offered rates. Accordingly they will be ranked as L2, L3, L4, L5 & L6 taking into account their ranking before counter offer.
- 4) If none/any of the vendor (L-2 to Ln or participated in RA) accept the c/offer rate and L2/L3/L4/L5/L6 vendors are not identified after counter offer, then L-1 vendor shall be approached for maximum discount. Further the ordering on all the vendors shall be done maintaining the initial load ratio to the possible extent.

- 5) The total allocated load to a particular vendor shall not exceed the declared capacity by the vendor. In case the declared capacity of any vendor is less than the allocated load, the remaining load shall be distributed among vendors in equal ratio within their declared capacity subject to acceptance of L1 counter offered rates. i.e. For example, if L-1 vendor will get the load of 535 MT, but in case the declared capacity of L-1 vendor is 500 MT, the remaining load of 35 MT shall be distributed among L-2 and so on vendors in equal ratio within their declared capacity and so on or the case may be.
- Subsequent ordering shall be done based on performance and execution of orders in time as per PO. Delivery
  - Vendor must indicate their annual fabrication capacity and details as per Annexure –A enclosed for BHEL reference.

## **18. EVALUATION OF BIDS:**

All vendors will be assessed on total cost to BHEL basis that includes freight, taxes, ITC etc.

L1 Vendor must provide break up of Basic BM & PM rate (in Rs. /Kg) post RA in price confirmation sheet.

In the course of evaluation, if more than one bidder happens to occupy L1/subsequent status, effective L1 /Subsequent rank will be decided by toss/draw of lots, in the presence of respective L1 bidder(s) or their representative(s). Ranking will be done accordingly. BHEL's decision in such situation shall be final and binding.

NOTIONAL L1, L<sub>2</sub>, L<sub>3</sub> etc. Sub-contractor will be decided based on the weighted rates calculated as per formula given below:-

$$\text{Rate (Rs. Per Kg)} = (0.25 B_1 + 0.75 P_1)$$

Where,

- 0.25 within bracket indicates 25% load with BHEL material approx.
- 0.75 within bracket indicates 75% load with Party mat. approx.
- B<sub>1</sub> indicates labour rate per kg with BHEL Material.
- P<sub>1</sub> indicates rates of fabricated assy. per kg with Party material.

## **19. REVERSE AUCTION: -**

"BHEL shall be resorting to Reverse Auction (RA) (Guidelines as available on [www.bhel.com](http://www.bhel.com)) for this tender. RA shall be conducted among the techno-commercially qualified bidders.

Price bids of all techno-commercially qualified bidders shall be opened and same shall be considered for RA. In case any bidder(s) do(es) not participate in online Reverse Auction, their sealed envelope price bid along with applicable loading, if any, shall be considered for ranking."

For detailed terms and conditions of RA guidelines, kindly refer [www.bhel.com](http://www.bhel.com).

## **20. PRICE VARIATION CLAUSE:-**

**No price variation clause is applicable on labour rates. However, the price variation in party material is applicable as below: -**

The variation in fabrication cost will be calculated based on the average rates of following raw materials (commonly used in General fabrication items), of Quarterly Price list given by BHEL Trichy of their rate contract operated with steel vendors finalized through the bulk steel Tendering

- 8-10 mm IS 2062 Gr-B Unnormalised.
- >12-20 mm IS 2062 Gr-B Normalised.
- >20-40 mm IS 2062 Gr-B Normalised.
- Above 40 mm IS 2062 Gr-B Normalised.

The variations in fabrication rate will be calculated based on the average rate of above raw material of Quarterly Price list given by BHEL Trichy of their rate contract operated with steel vendors. This price variation clause will be applicable on the date of receipt of material as mentioned in CISF CHALLAN/c-note.

The Base rate for calculation of PVC will be taken of the quarter in which RC is finalized with L1 vendor (awarded to L1 vendor) i.e. if RC is finalized in May 2023 then base rate will be taken for the quarter of April – June 2023.

The Settled Party material rates shall be taken as reference for ordering purpose. For a particular purchase order the applicable rates will be of the month 90 days prior to the actual delivery if item is supplied within the scheduled delivery of 90 days after receipt of material from BHEL.

In case of late delivery i.e. beyond 90 days the rates lower of the two i.e. actual delivery and maximum scheduled delivery shall be applicable. The purchase order may be amended accordingly.

In case of BHEL/combined material if the vendor supplies the item early i.e. before scheduled delivery and date of delivery is less than 90 days from the date PO was placed, the PVC rate will be applicable of the quarter in which PO was placed. If hold is put up on manufacturing of items by BHEL. PVC rate will be applicable as per new delivery schedule.

## **21. RISK PURCHASE: -**

In case of abnormal delays (beyond the maximum late delivery period as per LD clause) in supplies / defective supplies or non-fulfillment of any other terms and conditions given in Purchase Order, BHEL may cancel the Purchase Order in full or part thereof, and may also make the purchase of such material from elsewhere / alternative source at the risk and cost of the supplier. BHEL will take all reasonable steps to get the material from alternate source at optimum cost. If bidder does not agree to the above Risk Purchase Clause, BHEL reserves the right to reject the offer. In case for compelling reasons BHEL accepts the offer without acceptance of this clause by the bidder and in the eventuality of Risk Purchase, appropriate action will be taken as per BHEL extant rules. This will be without prejudice to any other right of BHEL under the contract or under General Law Action against Bidders / vendor / supplier / contractor in case of default:

In order to protect the commercial interests of BHEL, BHEL shall take action against supplies / contractors by way of suspension of business dealings, who either fail to perform or are in default without any reasonable cause, cause loss of business/

money/ reputation, indulge in malpractices, cheating, bribery, fraud or any other misconduct or formation of cartels so as to influence the bidding process or influence the price etc. Suspension of Business Dealings could be in the form of “Hold” or “Banning” a supplier/ contractor or a bidder and shall be as per “Guidelines for Suspension of Business Dealings with Suppliers/ Contractors” available at BHEL’s website “<https://www.bhel.com/guidelines-suspension-business-dealings-suppliers-contractors>”.

## **22. GENERAL INSTRUCTIONS: -**

**22.1** No further sub-contracting to third party or sister concern by the sub-contractor is allowed Without prior permission of BHEL. If found guilty, will be debarred.

**22.2** BHEL reserves the right to suspend/cancel the PO/Enquiry unilaterally without any financial repercussions, if Sub-contractor's performance is not found to be satisfactory.

**22.2.1** BHEL reserves the right to revise the drawing after placement of purchase order. The prices in the purchase order will be amended according to revised drawing.

**22.3** Please refer general instructions and standard terms & conditions (GISTC) for bidding against tender enquiry (version June-2021, Rev:06) the bidder/vendor must ensure compliance of these GISTC (version June-2021, Rev:06). Please refer <https://hwr.bhel.com>.

**22.4** MSE suppliers are exempted for submission of EMD & Tender Fee.

**22.5** Central / State – PSUs / Government departments are exempted from submission of EMD subject to approval by BHEL management.

**22.6** Documents submitted with the offer/bid by the bidder should be signed and stamped in each page by authorized representative of the bidder.

**22.6.1** PQR required documents is to be submitted along with the Techno-Commercial offer (PART-I).

Note: - Offer shall be entertained only after submission of duly filled, signed and stamped PQR and relevant documents. Offers of the vendor(s) not submitting this may be ignored.

**22.7** Vendor Contract clause regarding GST ITC and provision for E-invoices:

(i) E-invoicing under GST is being implemented w.e.f. 01.04.2022 for all the taxable persons having turnover more than Rs. 5 Cr. It has been specified by the Govt. that it is mandatory to mention a valid unique Invoice Reference No. (IRN) and QR code as generated from Govt. portal on a Tax Invoice. Based on such information, GST ITC as claimed by BHEL in GST Returns shall be matched with the corresponding details uploaded by supplier in E-invoicing System.

(ii) In case the vendor /contractor delays or fails to provide all the documents as per the Purchase order / Work Order at the time of submitting Tax invoice to BHEL, any subsequent financial loss to BHEL on account of vendor/contractor shall be to vendor's / contractor's account. BHEL has further right to take necessary steps to protect its interest at the time of release of payment. This further requires inclusion of IRN and QR code on tax invoice as announced by Govt. of India w.e.f. 01.10.2020.

**22.8** In case of ordering against the tender, vendor should submit their invoices against goods and services immediately after supply of goods & services but not later than 30 days from the invoice date. In case of delay, consequential losses like loss of input credit and non-availability of concessional forms etc. shall be to the vendor account.

**22.9** The bidders against open tender will necessarily have to obtain class – III DSC (Digital signature). Procedure for application is available on hwr.bhel.com.

**22.10** Following MSE conditions shall be followed: -

UDYAM Certificate. Detailed MSE conditions is at clause no. 23.0 of GISTC Rev. 06, June 2021.

\* Govt. guidelines will supersede all clauses of this tender for MSE benefits to vendor(s). MSE Suppliers can avail the intended benefits only if they submit along with the offer, attested copies of UDYAM Certificate.

Detailed MSE conditions is at clause no. 23.0 of GISTC Rev. 06, June 2021. \* Govt. guidelines will supersede all clauses of this tender for MSE benefits to vendor(s).

**23.** "A bidder shall not have conflict of interest with other bidders. Such conflict of interest can lead to anti-competitive practices to the detriment of Procuring Entity's interests. The bidder who found to have a conflict of interest shall be disqualified. A bidder may be considered to have a conflict of interest with one or more parties in this bidding process, if:

a) they have controlling partner (s) in common; or

b) they receive or have received any direct or indirect subsidy/ financial stake from any of them; or

c) they have the same legal representative/agent for purposes of this bid; or

d) they have relationship with each other, directly or through common third parties, that puts them in a position to have access to information about or influence on the bid of another Bidder, or

e) Bidder participates in more than one bid in this bidding process.

Participation by a Bidder in more than one Bid will result in the disqualification of all bids in which the parties are involved. However, this does not limit the inclusion of the components/ sub-assembly/ Assemblies from. one bidding manufacturer in more than one bid; or

f) In cases of agents quoting in offshore procurements, on behalf of their principal manufacturers, one agent cannot represent two manufacturers or quote on their behalf in a particular tender enquiry. One manufacturer can also authorize only one agent/dealer. There can be only one bid from the following:

1. The principal manufacturer directly or through one Indian agent on his behalf; and

2. Indian/foreign agent on behalf of only one principal,

or

g) A Bidder or any of its affiliates participated as a consultant in the preparation of the design or technical specifications of the contract that is the subject of the Bid, or

h) In case of a holding company having more than one independently manufacturing units, or more than one unit having common business ownership/management, only one unit should quote. Similar restrictions would apply to closely related sister companies. Bidders must proactively declare such sister/ common business/ management units in same/ similar line of business. "

- **Against vendor's replies, BHEL reserves the right to ask for more information/ documents / clarifications. Vendor's offer shall not be considered if vendor fails to furnish the document / information /**

**clarifications as mentioned above or doesn't meet the acceptance criteria. Time period for technical/commercial clarification is 3 days.**

- Amendments/Corrigendum, if any, will be hosted on designated web site/ GePNIC Portal only. Other terms and conditions will be as per tender documents. Any vendor who is under hold (for the item)/ delisted/ banned with BHEL on date of opening of Part – 1 will not be allowed to quote for this tender. In case their offer is received, it may be outrightly rejected.
- In view of Covid-19 and present situation, the Tender Documents, Drawings, P.O copy etc. shall be sent by e-mails and shall not be sent in hard copies. Vendors to kindly note that the details sent by e-mail shall be considered for delivery against the finalized contract(s)/ P. O's placed.
- **\*\*OFFERS SHALL BE ADMITTED THROUGH GePNIC PORTAL**  
<https://eprocurebhel.co.in/nicgep/app> ONLY

**24. Vendor must indicate their `MSMED' status in their un-price bid for reference. Copy of MSMED certificate may also be enclosed for reference.**

**Annexure-A**

**DESCRIPTION OF ITEMS FOR GENERAL FABRICATION ITEMS WITH 10-50%  
UT/RT FOR ALL PRODUCTS 500/600/660/800 MW ETC**

<b>DESCRIPTION OF ITEMS</b>	<b>TOTAL QTY. MT</b>	<b>L1 TO L6 LOAD DISTRIBUTION MT</b>	<b>TOTAL FABRICATION CAPACITY (MT)</b>	<b>CAPACITY RESERVED FOR THIS ENQUIRY (MT)</b>	<b>RATE (Rs. Per Kg)  Tick the correct</b>
<b>Bottom Plates, Dome Walls, Hot Wells, Main Oil Tank embed metn parts etc.</b>	<b>2077</b>	L1=30% L2=22% L3=17% L4=13% L5=10% L6=8%			Quoted / Not quoted

**DATE:-**

**Authorized Signature:  
Name of Supplier**

**Annexure - B**

**MAKE IN INDIA CERTIFICATE**

Certificate In line with Government Public Procurement Order No. P-45021/2/2017-BE-II dt. 15.06.2017 & P-45021/2/2017-PP (BE-II) dated 28.05.2018, we hereby certify that we M/s \_\_\_\_\_(supplier name) are local supplier meeting the requirement of minimum local content (50%) as defined in above orders for the material against Enquiry No. \_\_\_\_\_ Details of location at which local value addition will be made is as follows:

\_\_\_\_\_  
\_\_\_\_\_ We also understand, false declarations will be in breach of the Code of Integrity under Rule 175(1)(i)(h) of the General Financial Rules for which a bidder or its successors can be debarred for up to two years as per Rule 151 (iii) of the General Financial Rules along with such other actions as may be permissible under law.

Authorised Signature:  
(with date & seal of company)

Name of Supplier: -

**TERMS AND CONDITIONS FOR RATE CONTRACT**

SL.	TERMS & CONDITION	VENDOR'S ACCEPTANCE/ REMARKS
1	<u>Scope of Work:</u> - Rate Contract for complete fabrication of General Items of Condenser with 10-50% UT/RT BHEL material `or` combination of BHEL & Party material as per Drawing/Standard, QP and Technical requirements.	
2	<u>Validity:</u> As per Clause no 2 of Terms and Conditions	
3	<u>Submission of offers:</u> As per Clause no. 3 of Terms and Conditions of Rate Contract	
4	<u>Transportation:</u> As per Clause 4 of T & C of Rate Contract.	
5	<u>Delivery:</u> Quoted rates are on F.O.R. sub-contract store, HEEP, Haridwar basis.	
6	<u>Delivery Schedule:</u> Finished component shall be delivered within 75 <b>days</b> from date receipt of material from BHEL as per Clause 6 of T & C.	
7	<u>LD:</u> @ 0.5% per week subject to max 10% for the delayed portion of supply, as per Clause 7 of T & C	
8	<u>Inspection:</u> It shall be done as per clause no. 8 of Terms and Conditions of Rate Contract	
9	<u>Guarantee Certificate:</u> It shall be valid for 18 months from receipt of material in BHEL as per clause 8 of T & C	
10	<u>Payment:</u> As per Clause 10 of T & C of Rate Contract.	
11	<u>Bank Guarantee:</u> 10 % BG and 90 % IB as per clause 11 of T & C of Rate Contract	
12	<u>GST:</u> It shall be applicable against documentary proof. Input Tax Credit shall be applicable and BHEL can claim benefit	
13	<u>Rejection:</u> As per Clause 13 of T & C of Rate Contract	
14	<u>Scrap:</u> As per Clause 14 of T & C of Rate Contract	
15	<u>Rectification:</u> As per Clause 15 of T & C of Rate Contract	
16	<u>Load distribution:</u> as per clause no. 17 of T & C of Rate contract	
17	<u>Evaluation of Bid:</u> as per clause no. 18 of T & C of Rate contract	
18	<u>Reverse Auction(RA):</u> AS per standard policy of BHEL.	
19	<u>Price Variation Clause:</u> As per Clause 20 of T & C of Rate Contract	
20	<u>Risk Purchase:</u> As per Clause 21 of T & C of Rate Contract	
21	We have read clause no. 22 of terms and conditions of Enquiry and confirm to abide the same.(Clause 22.1 to 22.10)	
22	<u>Conflict of Interest:</u> Confirm acceptance of Clause 23 of T & C of Enq.	
23	<u>Integrity Pact:</u> Signed and stamped Integrity pact is to be attached alongwith offer	
24	GISTC : We agree for GISTC Rev.06	
25	We have submitted Make in India certificate (duly filled and signed as per Annexure-B).	
26	Rates have been quoted in indian Rupees per Kg as per Evaluation formula as per clause no 18 of T&C	

Note: BHEL reserves the right to reject any or all the offers (on techno-commercial ground) without assigning any reason thereof.

**(Vendor's signature with Stamp)**

Item : All Items of Indent no: 20230417 (Hot Well, Bottom Plate, Dome wall etc.)

## PRE-QUALIFICATION REQUIREMENT

01.00	TECHNICAL REQUIREMENT	Required	Vendor's Offer
01.01	Vendors should have experience of fabricating (cutting/bending/assembly/welding/pre-fabrication machining) and supplying of atleast 1 no. Hot well/Bottom plate/Dome wall or equivalent having size 5000X3500mmX1000mm (LXBXH) and above and weight 7 Tons and above in last 7 years from the date of enquiry.	Vendor to Comply & submit suitable evidence	
01.02	<b>Facilities Required:</b> i) Lifting facility and capacity at vendor works must be EOT crane 10 Tons and above. ii) Vendor must have levelled bed plate size : Length= 10,000mm and Breadth=6,000mm and above to fabricate the job (Note: Concrete floor not acceptable). (iii) Vendor must have suitable WPS/PQR and qualified welders for welding approved by Third Party and submit documentary evidence with offer. (iv) Vendor must have cutting facility to cut plate of thickness 50 mm and above. (v) Vendor must have rolling bending facility of plate thickness 20mm and above at width of 2500mm and above	Vendor to Comply & submit suitable evidence including technical specifications, technical brochure, photographs etc. of the facilities.	
01.03	Vendor to furnish certificate against clause 01.01 from the customer / company or end user duly confirming that <b>Hot well/Bottom plate/Dome wall or equivalent having size 5000X3500mmX1000mm (LXBXH) and above and weight 7 Tons and above</b> was supplied and used for Hydro Pump or turbine/power plant/capital goods/infrastructure application OR Vendor to submit documentary evidence as per clause 1.03.	Vendor to Comply & submit suitable documents	
01.04	Vendor to furnish name of customer/company with complete contact details and month /year of previous supply along with copy of PO, type of manufacturing facility used for fabrication ( assembly/welding/pre-fabrication machining), supply documents, Payment details(invoice copy) and inspection documents of supplied <b>Hot well/Bottom plate/Dome wall or equivalent having size 5000X3500mmX1000mm (LXBXH) and above and weight 7 Tons and above.</b>	Vendor to Comply & submit suitable documents	
01.05	All PQR documents are to be stamped and signed in original by Vendor. In case documents and official stamp is in language other than English, documents and details of official stamp are to be translated in English and duly certified by Government agency/approved agency of Government/Embassy.	Vendor to Comply & submit suitable documents	
01.06	BHEL reserves the right to verify the information provided by vendor. In case the information provided by vendor is found to be false/ incorrect, their offers shall be rejected.	Vendor to agree	

NOTE: PQR is not restrictive

31/08/2023  
 [Ravi Deshpande  
 Manager (WTX)]

Santosh  
 31/8/23  
 [Santosh Goyal  
 Mgr / WT]

BSA  
 31.08.2023  
 (BS Arora)  
 AGNL FBS & WT

**INTEGRITY PACT****Between**

Bharat Heavy Electricals Ltd. (BHEL), a company registered under the Companies Act 1956 and having its registered office at "BHEL House", Siri Fort, New Delhi - 110049 (India) hereinafter referred to as "The Principal", which expression unless repugnant to the context or meaning hereof shall include its successors or assigns of the ONE PART

**and**

\_\_\_\_\_, (description of the party along with address), hereinafter referred to as "The Bidder/ Contractor" which expression unless repugnant to the context or meaning hereof shall include its successors or assigns of the OTHER PART

**Preamble**

The Principal intends to award, under laid-down organizational procedures, contract/s for \_\_\_\_\_

\_\_\_\_\_ (hereinafter referred to as "Contract"). The Principal values full compliance with all relevant laws of the land, rules and regulations, and the principles of economic use of resources, and of fairness and transparency in its relations with its Bidder(s)/ Contractor(s).

In order to achieve these goals, the Principal will appoint panel of Independent External Monitor(s) (IEMs), who will monitor the tender process and the execution of the contract for compliance with the principles mentioned above.

**Section 1- Commitments of the Principal**

- 1.1 The Principal commits itself to take all measures necessary to prevent corruption and to observe the following principles: -
  - 1.1.1 No employee of the Principal, personally or through family members, will in connection with the tender for, or the execution of a contract, demand, take a promise for or accept, for self or third person, any material or immaterial benefit which the person is not legally entitled to.
  - 1.1.2 The Principal will, during the tender process treat all Bidder(s) with equity and reason. The Principal will in particular, before and during the tender process, provide to all Bidder(s) the same information and will not provide to any Bidder(s) confidential/ additional information through which the Bidder(s) could obtain an advantage in relation to the tender process or the contract execution.
  - 1.1.3 The Principal will exclude from the process all known prejudiced persons.
- 1.2 If the Principal obtains information on the conduct of any of its employees which is a penal offence under the Indian Penal Code 1860 and Prevention of Corruption Act 1988 or any other statutory penal enactment, or if there be a substantive suspicion in this regard, the Principal will inform its Vigilance Office and in addition can initiate disciplinary actions.

**Section 2 - Commitments of the Bidder(s)/ Contractor(s)**

- 2.1 The Bidder(s)/ Contractor(s) commit himself to take all measures necessary to prevent corruption. The Bidder(s)/ Contractor(s) commits himself to observe the following principles during participation in the tender process and during the contract execution.

- 2.1.1 The Bidder(s)/ Contractor(s) will not, directly or through any other person or firm, offer, promise or give to the Principal or to any of the Principal's employees involved in the tender process or the execution of the contract or to any third person any material, immaterial or any other benefit which he/ she is not legally entitled to, in order to obtain in exchange any advantage of any kind whatsoever during the tender process or during the execution of the contract.
- 2.1.2 The Bidder(s)/ Contractor(s) will not enter with other Bidder(s) into any illegal or undisclosed agreement or understanding, whether formal or informal. This applies in particular to prices, specifications, certifications, subsidiary contracts, submission or non-submission of bids or any other actions to restrict competitiveness or to introduce cartelization in the bidding process.
- 2.1.3 The Bidder(s)/ Contractor(s) will not commit any penal offence under the relevant Indian Penal Code (IPC) and Prevention of Corruption Act; further the Bidder(s)/ Contractor(s) will not use improperly, for purposes of competition or personal gain, or pass on to others, any information or document provided by the Principal as part of the business relationship, regarding plans, technical proposals and business details, including information contained or transmitted electronically.
- 2.1.4 Foreign Bidder(s)/ Contractor(s) shall disclose the name and address of agents and representatives in India and Indian Bidder(s)/ Contractor(s) to disclose their foreign principals or associates. The Bidder(s)/ Contractor(s) will, when presenting his bid, disclose any and all payments he has made, and is committed to or intends to make to agents, brokers or any other intermediaries in connection with the award of the contract.
- 2.2 The Bidder(s)/ Contractor(s) will not instigate third persons to commit offences outlined above or be an accessory to such offences.
- 2.3 The Bidder(s)/ Contractor(s) shall not approach the Courts while representing the matters to IEMs and shall await their decision in the matter.

### **Section 3 - Disqualification from tender process and exclusion from future contracts**

If the Bidder(s)/ Contractor(s), before award or during execution has committed a transgression through a violation of Section 2 above, or acts in any other manner such as to put his reliability or credibility in question, the Principal is entitled to disqualify the Bidder(s)/ Contractor(s) from the tender process, terminate the contract, if already awarded, exclude from future business dealings and/ or take action as per the separate "Guidelines on Banning of Business dealings with Suppliers/ Contractors", framed by the Principal.

### **Section 4 - Compensation for Damages**

- 4.1 If the Principal has disqualified the Bidder (s) from the tender process before award / order acceptance according to Section 3, the Principal is entitled to demand and recover the damages equivalent to Earnest Money Deposit/ Bid Security.
- 4.2 If the Principal is entitled to terminate the Contract according to Section 3, or terminates the Contract in application of Section 3 above, the Bidder(s)/ Contractor (s) transgression through a violation of Section 2 above shall be construed breach of contract and the Principal shall be entitled to demand and recover from the Contractor an amount equal to 5% of the contract value or the amount equivalent to Security Deposit/ Performance Bank Guarantee, whichever is higher, as damages, in addition to and without prejudice to its right to demand and recover compensation for any other loss or damages specified elsewhere in the contract.

**Section 5 - Previous Transgression**

- 5.1 The Bidder declares that no previous transgressions occurred in the last 3 (three) years with any other company in any country conforming to the anti-corruption approach or with any other Public Sector Enterprise in India that could justify his exclusion from the tender process.
- 5.2 If the Bidder makes incorrect statement on this subject, he can be disqualified from the tender process or the contract, if already awarded, can be terminated for such reason or action can be taken as per the separate "Guidelines on Banning of Business dealings with Suppliers/ Contractors", framed by the Principal.

**Section 6 - Equal treatment of all Bidder (s)/ Contractor (s) / Sub-contractor (s)**

- 6.1 The Principal will enter into Integrity Pacts with identical conditions as this Integrity Pact with all Bidders and Contractors.
- 6.2 In case of Sub-contracting, the Principal Contractor shall take the responsibility of the adoption of Integrity Pact by the Sub-contractor(s) and ensure that all Sub-contractors also sign the Integrity Pact.
- 6.3 The Principal will disqualify from the tender process all Bidders who do not sign this Integrity Pact or violate its provisions.

**Section 7 - Criminal Charges against violating Bidders/ Contractors /Subcontractors**

If the Principal obtains knowledge of conduct of a Bidder, Contractor or Subcontractor, or of an employee or a representative or an associate of a Bidder, Contractor or Subcontractor which constitutes corruption, or if the Principal has substantive suspicion in this regard, the Principal will inform the Vigilance Office.

**Section 8 -Independent External Monitor(s)**

- 8.1 The Principal appoints competent and credible panel of Independent External Monitor (s) (IEMs) for this Integrity Pact. The task of the IEMs is to review independently and objectively, whether and to what extent the parties comply with the obligations under this Integrity Pact.
- 8.2 The IEMs are not subject to instructions by the representatives of the parties and performs his functions neutrally and independently. He reports to the CMD, BHEL.
- 8.3 The IEMs shall be provided access to all documents/ records pertaining to the Contract, for which a complaint or issue is raised before them as and when warranted. However, the documents/records/information having National Security implications and those documents which have been classified as Secret/Top Secret are not to be disclosed.
- 8.4 The Principal will provide to the IEMs sufficient information about all meetings among the parties related to the Contract provided such meetings could have an impact on the contractual relations between the Principal and the Contractor. The parties offer to the IEMs the option to participate in such meetings.

- 8.5 The advisory role of IEMs is envisaged as that of a friend, philosopher and guide. The advice of IEMs would not be legally binding and it is restricted to resolving issues raised by a Bidder regarding any aspect of the tender which allegedly restricts competition or bias towards some Bidders. At the same time, it must be understood that IEMs are not consultants to the Management. Their role is independent in nature and the advice once tendered would not be subject to review at the request of the organization.
- 8.6 For ensuring the desired transparency and objectivity in dealing with the complaints arising out of any tendering process or during execution of Contract, the matter should be examined by the full panel of IEMs jointly, who would look into the records, conduct an investigation, and submit their joint recommendations to the Management.
- 8.7 The IEMs would examine all complaints received by them and give their recommendations/ views to the CMD, BHEL at the earliest. They may also send their report directly to the CVO, in case of suspicion of serious irregularities requiring legal/ administrative action. Only in case of very serious issue having a specific, verifiable Vigilance angle, the matter should be reported directly to the Commission. IEMs will tender their advice on the complaints within 30 days.
- 8.8 The CMD, BHEL shall decide the compensation to be paid to the IEMs and its terms and conditions.
- 8.9 IEMs should examine the process integrity, they are not expected to concern themselves with fixing of responsibility of officers. Complaints alleging mala fide on the part of any officer of the Principal should be looked into by the CVO of the Principal.
- 8.10 If the IEMs have reported to the CMD, BHEL, a substantiated suspicion of an offence under relevant Indian Penal Code / Prevention of Corruption Act, and the CMD, BHEL has not, within reasonable time, taken visible action to proceed against such offence or reported it to the Vigilance Office, the IEMs may also transmit this information directly to the Central Vigilance Commissioner, Government of India.
- 8.11 After award of work, the IEMs shall look into any issue relating to execution of Contract, if specifically raised before them. As an illustrative example, if a Contractor who has been awarded the Contract, during the execution of Contract, raises issue of delayed payment etc. before the IEMs, the same shall be examined by the panel of IEMs. Issues like warranty/ guarantee etc. shall be outside the purview of IEMs.
- 8.12 However, the IEMs may suggest systemic improvements to the management of the Principal, if considered necessary, to bring about transparency, equity and fairness in the system of procurement.
- 8.13 The word 'Monitor' would include both singular and plural.

## **Section 9 - Pact Duration**

- 9.1 This Integrity Pact shall be operative from the date this Integrity Pact is signed by both the parties till the final completion of contract for successful Bidder, and for all other Bidders 6 months after the Contract has been awarded. Any violation of the same would entail disqualification of the bidders and exclusion from future business dealings.
- 9.2 If any claim is made/ lodged during currency of this Integrity Pact, the same shall be binding and continue to be valid despite the lapse of this Pact as specified above, unless it is discharged/ determined by the CMD, BHEL.

**Section 10 - Other Provisions**

- 10.1 This Integrity Pact is subject to Indian Laws and exclusive jurisdiction shall be of the competent Courts as indicated in the Tender or Contract, as the case may be.
- 10.2 Changes and supplements as well as termination notices need to be made in writing.
- 10.3 If the Bidder(s)/ Contractor(s) is a partnership or a consortium or a joint venture, this Integrity Pact shall be signed by all partners of the partnership or joint venture or all consortium members.
- 10.4 Should one or several provisions of this Integrity Pact turn out to be invalid, the remainder of this Integrity Pact remains valid. In this case, the parties will strive to come to an agreement to their original intentions.
- 10.5 Only those bidders / contractors who have entered into this Integrity Pact with the Principal would be competent to participate in the bidding. In other words, entering into this Integrity Pact would be a preliminary qualification.
- 10.6 In the event of any dispute between the Principal and Bidder(s)/ Contractor(s) relating to the Contract, in case, both the parties are agreeable, they may try to settle dispute through Mediation before the panel of IEMs in a time bound manner. In case, the dispute remains unresolved even after mediation by the panel of IEMs, either party may take further action as the terms & conditions of the Contract. The fees/expenses on dispute resolution through mediation shall be shared by both the parties. Further, the mediation proceedings shall be confidential in nature and the parties shall keep confidential all matters relating to the mediation proceedings including any settlement agreement arrived at between the parties as outcome of mediation. Any views expressed, suggestions, admissions or proposals etc. made by either party in the course of mediation shall not be relied upon or introduced as evidence in any further arbitral or judicial proceedings, whether or not such proceedings relate to the dispute that is the subject of mediation proceedings. Neither of the parties shall present IEMs as witness in any Alternative Dispute Resolution or judicial proceedings in respect of the dispute that was subject of mediation.

-----  
 For & On behalf of the Principal  
 (Office Seal)

-----  
 For & On behalf of the Bidder/ Contractor  
 (Office Seal)

Place \_\_\_\_\_  
 Date \_\_\_\_\_

Witness: \_\_\_\_\_  
 (Name & Address) \_\_\_\_\_  
 \_\_\_\_\_

Witness: \_\_\_\_\_  
 (Name & Address) \_\_\_\_\_  
 \_\_\_\_\_



## BHARAT HEAVY ELECTRICALS LIMITED

HEEP-HARIDWAR, UTTARAKHAND (249403)

General Instructions and Standard Terms & Conditions for bidding against Tender Enquiry (GISTC)

For Indian Bidders (Version June-2021, Rev: 06)

### Table of Contents

1. GENERAL .....	1
2. ORIGIN OF QUOTATION .....	1
3. SUBMISSION OF TENDER .....	1
4. TENDER OPENING .....	2
5. SPECIFICATION, DRAWINGS & STANDARD .....	2
6. PRICE SCHEDULE .....	3
7. REVERSE AUCTION .....	3
8. DELIVERY TERMS .....	3
9. LD FOR LATE DELIVERY .....	4
10. PAYMENT TERMS .....	4
11. TAXES & DUTIES .....	5
12. BANK GUARANTEE .....	6
13. GUARANTEE / WARRANTY AND CORRESPONDING REPAIRS / REPLACEMENT OF GOODS .....	6
14. QUALITY REQUIREMENT .....	6
15. VALIDITY .....	6
16. RIGHT OF ACCEPTANCE .....	6
17. TRANSIT INSURANCE .....	7
18. RISK PURCHASE .....	7
19. FORCE MAJEURE CLAUSE .....	7
20. NON-DISCLOSURE AGREEMENT .....	8
21. SETTLEMENT OF DISPUTES / ARBITRATION .....	8
22. WHARFAGE / DEMURRAGE RESPONSIBILITY .....	8
23. CONDITIONS FOR AVAILING MICRO & SMALL ENTERPRISES (MSE'S) BENEFITS .....	8
24. INFORMATION TO THE BIDDERS .....	10
25. MAKE IN INDIA (GOVT-NOTIFICATION) .....	10
26. RESTRICTIONS UNDER RULE 144(XI) OF THE GENERAL FINANCIAL RULES (GFRs), 2017 .....	12

27. NOTE..... 12

### 1. GENERAL.

These general terms & conditions shall apply to all the Tender Enquiries, notice inviting tenders, request for quotations concerning the supply of goods and / or rendering of services to Bharat Heavy Electricals Ltd., HEEP, Haridwar (hereinafter referred to as BHEL or the Purchaser). In case of placement of order these conditions will become part of Purchase Order (P.O) until unless the deviations are specifically agreed by BHEL.

### 2. ORIGIN OF QUOTATION.

- a) The quotation should preferably be from the principal bidder. However tender specific authorized registered dealer/agent can also submit the bid on their behalf, failing which the quotation is liable to be ignored. BHEL prefers to deal directly with the principal manufacturers.
- b) An agent cannot quote on behalf of more than one principal in the same Tender Enquiry.

### 3. SUBMISSION OF TENDER.

- a) Bid / Quotation must be enclosed in sealed cover on which tender enquiry number and the due date MUST BE written and be invariably sent under REGISTERED POST / SPEED POST / COURIER / Dropped in the Tender Box: addressed as follows:

Quotation against Enquiry No. \_\_\_\_\_

Dated: \_\_\_\_\_

Due on: \_\_\_\_\_

To,

**THE HEAD OF MATERIALS MANAGEMENT,  
Heavy Electrical Equipment Plant,  
Bharat Heavy Electricals Limited,  
HARIDWAR-249403 (Uttarakhand), INDIA.**

- b) TENDER ROOM is located at: Room No. - 415, 4<sup>th</sup> Floor, Main Admin. Building, BHEL-HEEP, Haridwar.

## Quotations / Bids not in accordance with General Instructions and Standard Terms & Conditions are likely to be ignored.



## BHARAT HEAVY ELECTRICALS LIMITED

HEEP-HARIDWAR, UTTARAKHAND (249403)

General Instructions and Standard Terms & Conditions for bidding against Tender Enquiry (GISTC)

For Indian Bidders (Version June-2021, Rev: 06)

- c) In case of Three / Two Part Bid, technical bid containing technical offer, duly signed and un-priced copy of the Price Bid should be kept in one envelope. Price Bid containing only the price should be kept in a separate envelope. All envelopes indicating Part-1 or Part-2 or Part-3 as the case may be to be put in a bigger envelope. Please note that un-priced bid should be the exact replica of price bid but without prices.
- d) The bid / quotation must be posted before due date, keeping allowance for postal transit time. Quotations sent by any mode but not received in time will be ignored. Tender received through authorized E-mail is also acceptable. However, in time submission of tender in tender box shall be the responsibility of the bidder, sent through any mode. Documents submitted with the offer / bid shall be signed and stamped in each page by authorized representative of the bidder.
- e) Any additional documents submitted by supplier / bidder, during processing of registration application / tender or after placement of order shall not be accepted unless it is submitted with forwarding letter and duly signed and stamped.
- f) The bids of the bidders who are on the banned list and also the bids of the bidders, who engage the services of the banned firms, shall be rejected. The cutting / overwriting in the bid / offer must be duly attested by the signatories to the bid. The list of firms banned by BHEL is available on BHEL web site [www.bhel.com](http://www.bhel.com).
- g) Being PMD vendor, if you are not quoting against this tender enquiry, please send your regret letter positively for our reference with valid reasons for not participating in the tender enquiry. Repeated lack of response on the part of bidder may lead to deletion such PMD vendor from BHEL's approved vendor list.
- h) The bidders will submit Integrity Pact, duly signed by its authorized signatory, along with their bids wherever estimated tender value is Rs. 2 Crore or more.
- i) In case of open tender, technically qualified unregistered bidders may apply online for registration through <http://www.bhel.com/index.php/vender>.
- j) BHEL reserves the right to award tendered quantities among more than one bidder (after acceptance of L1 price by the other bidders). BHEL can also consider awarding of part of the tendered quantity to other than L-1 bidder at L1 counter offered rates, if the quantity offered by the L-1 bidder is less than the quantity tendered for.
- k) In case of e-Tendering (Online bidding through e-portal), offline bid submitted in hard copy or in any other form by the vendor / supplier will not be accepted and will be rejected out rightly. Only e-portal bid will be accepted.

#### 4. TENDER OPENING.

Tender opening is scheduled to start in the Tender Room at 2:00 PM, on the due date. Therefore, bid / quotations must reach this office / tender Box latest by 1:45 PM on due date. Only participating bidders are allowed to attend tender opening. **TENDERS RECEIVED AFTER THE SPECIFIED TIME OF THEIR 'SUBMISSION' WILL BE TREATED AS LATE TENDERS AND SHALL NOT BE CONSIDERED UNDER ANY CIRCUMSTANCES.** The bidders or their authorized representatives may be allowed to attend tender opening if duly authorized by their principals, through a tender specific letter on that particular day. General authorization letter is not acceptable.

***Note: - Foreign bidders willing to attend the bid opening has to provide the requisite documents to the concerned Purchase executives for arranging gate pass for them.***

#### 5. SPECIFICATION, DRAWINGS & STANDARD.

- a) Bidders must give their detailed specification in the quotation along with relevant technical literature / catalogue etc. against the tender enquiry.
- b) The Bid should be accompanied with relevant copies of catalogues, drawings or specification as per tender enquiry.

## Quotations / Bids not in accordance with General Instructions and Standard Terms & Conditions are likely to be ignored.



## BHARAT HEAVY ELECTRICALS LIMITED

HEEP-HARIDWAR, UTTARAKHAND (249403)

General Instructions and Standard Terms & Conditions for bidding against Tender Enquiry (GISTC)

For Indian Bidders (Version June-2021, Rev: 06)

If these documents are not furnished, the offer is liable to be rejected.

- c) Wherever national / international (N/IN) standards are referred, the latest N/IN standards are to be followed. Mention year & date of standard revision that shall be followed for the supply.
- d) All Drawings and Standards are proprietary of BHEL. It must not be used in anyway detrimental to the interest of BHEL or without permission of BHEL.

### 6. PRICE SCHEDULE.

- a) Kindly quote your prices in figures and words both. In case of any discrepancy in value, the prices quoted in words shall be considered for evaluation and establishing L1 status.
- b) Prices quoted should not be more than the prices quoted to any other BHEL units / offices / divisions. Vendor to submit copy of latest Purchase Order placed by any unit of BHEL for similar items in the technical bid. In case no order has been placed on such items, specific confirmation that no order has been placed on such items should be provided.
- c) Prices should be quoted on F.O.R. Destination basis. Transit insurance shall be arranged by BHEL and not to be included in the prices. The offers quoted on other than F.O.R destination basis may result in non-consideration of such bids.
- d) In case BHEL accepts the EX-Works prices, such offers will be loaded by 1.5% of EX-Works value towards freight or with actual freight charges as per BHEL freight rate contract whichever is higher.
- e) In case of Indigenous items covered by DGS & D Rate Contract, the bidders should submit latest valid copy of the rate contract along with bid / quotation
- f) Applicable **IGST / CGST / SGST** and any other statutory levy should be indicated separately and clearly in the bid / quotation.

- g) Bidders can dispatch goods through any Indian Bank Association approved transporters having their branch at HARIDWAR / destination. If material is dispatched through other than Indian Bank Association approved transporter, material to be delivered on door delivery BHEL Stores basis.
- h) In case of dispatch of material through any other unapproved transporter, payment shall be made only after receipt of material and any additional charges payable to the transporter shall be to the bidder's account.
- i) Any demurrage / godown rent payable to the transporter / or to godown's owner due to any delay attributed by the supplier shall be recovered from supplier's account.
- j) Currency of Evaluation shall be INR.

**NB: Financial evaluation of L1, L2 .....Status will be on the basis of Landed Cost to BHEL.**

### 7. REVERSE AUCTION.

**Wherever RA is declared in the special terms and conditions of tender enquiry, following shall be applicable and Bidders to confirm the same:**

"BHEL shall be resorting to Reverse Auction (RA) (Guidelines as available on [www.bhel.com](http://www.bhel.com)) for this tender. RA shall be conducted among all the techno-commercially qualified bidders.

Price bids of all techno-commercially qualified bidders shall be opened and same shall be considered as initial bids of bidders in RA. In case any bidder(s) do(es) not participate in online Reverse Auction, their sealed envelope price bid along with applicable loading, if any, shall be considered for ranking."

### 8. DELIVERY TERMS.

- a) Goods shall be delivered on 'FOR Destination' basis to the named destination unless otherwise called for in the tender enquiry.
- b) Loading on account of 3rd party inspection charges in case of Indian bidders shall be 0.20%.



## BHARAT HEAVY ELECTRICALS LIMITED

HEEP-HARIDWAR, UTTARAKHAND (249403)

General Instructions and Standard Terms & Conditions for bidding against Tender Enquiry (GISTC)

For Indian Bidders (Version June-2021, Rev: 06)

### 9. LIQUIDATED DAMAGES (LD) FOR LATE DELIVERY.

#### a) Where items of Purchase Order are independently usable.

Liquidated Damages (LD) for Late Deliveries shall be applicable @0.5% per week or part thereof on the value of respective delayed supplies subject to a maximum of 10% of the value of respective delayed supplies. Value of delayed supplies will mean the Gross Value payable to the vendor (Before LD) against such supplies excluding taxes and duties.

#### b) Where the total items are required for a main equipment and items are interdependent.

Liquidated Damages (LD) for Late Deliveries shall be applicable @0.5% per week or part thereof on total value of Purchase Order subject to maximum of 10% of the total value of Purchase Order. Purchase Order value for this purpose shall be the Total Gross Value payable to the vendor (Before LD) excluding taxes and duties.

#### c) Bidders are requested to quote the best delivery meeting the delivery requirements. BHEL reserves the right to reject the offers not meeting BHEL's delivery requirement.

#### d) Commencement of delivery period shall be reckoned from the date of PO / LOI or any other agreed milestone.

#### e) Bidder shall deliver the goods in the manner and schedule agreed under the terms and conditions of Purchase order.

#### f) DELIVERY IN CASE OF REJECTION: In case the material is rejected, then date of replacement will be considered as the actual date of delivery.

#### g) DELIVERY AGAINST BANK DOCUMENTS: In case payment terms quoted by bidder are documents through bank, and the delivery terms being "FOR Haridwar / FOR Transporter Go-down" then date of delivery will be date of intimation by transporter / bidder of delivery of material at Haridwar for the LD purpose.

#### h) Where the payments are through bank, the documents may be presented for negotiation to BHEL authorized / nominated bank.

i) Payment of Liquidated Damages (LD) shall not in any way relieve the vendor from any of its obligations & liabilities under the contract.

### 10. PAYMENT TERMS.

a) BHEL's standard payment term is Payment after receipt and acceptance of materials / items at HEEP, BHEL-Store or at desired destination unless otherwise specified in Special Terms attached to the tender enquiry.

b) BHEL reserves the right to accept or reject the offer of the bidder who quotes the payment term other than BHEL's standard payment term.

c) Loading on account of deviation in payment terms shall be done as per extant rules of BHEL-Haridwar.

d) 100% payment along with taxes, freight & insurance will be made after receipt and acceptance of material and within 75 days from the date of invoice subject to submission of non-discrepant documents within 15 days of supply as per terms and conditions of Purchase Order. In case any discrepancy found in the documents, BHEL will notify the same to vendor within 7 days of receipt. Vendor has to clear all the discrepancies in one go within 7 days thereafter else the payment of vendor may get delayed.

e) For MSEs (covered under MSME Act) which are registered and periodically renewed with BHEL, the payment will be made within 45 days or as prescribed in the relevant act.

f) Adherence to the above time schedule of payment is contingent upon Vendor complying with GST Rules w.r.t availment of Input Tax Credit by BHEL.

g) In case GST credit is delayed / denied to BHEL, due to non / delayed receipt of goods and / or tax invoice or expiry of the timeline prescribed in GST Law for availing such ITC, or any other reason not attributable to BHEL, GST amount shall be recoverable from Vendor along with interest levied / leviable on BHEL.

h) The taxes and duties that are reimbursed would be the ones applicable as on the contractual Purchase order delivery date or the amount actually paid whichever is less.



## BHARAT HEAVY ELECTRICALS LIMITED

HEEP-HARIDWAR, UTTARAKHAND (249403)

General Instructions and Standard Terms & Conditions for bidding against Tender Enquiry (GISTC)

For Indian Bidders (Version June-2021, Rev: 06)

i) **The loading criteria for the different payment terms shall be as under;**

Payment Terms	Days of Loading
After Receipt & Acceptance of material within 75 days of supply.	<b>No Loading</b>
Against Delivery at BHEL-Stores Haridwar.	<b>45</b>
Against documents through bank (CAD):	<b>45</b>
Letter of Credit (LC)	<b>120</b>
Usance LC	No Loading if usance period is > 120 Days.
	Loading of days' difference i.e. difference between 120 days and usance period if the usance period is < 75 days.
Advance	Delivery Period + 120 Days - Advance Payment Days.

### 11. TAXES & DUTIES.

- a) The bidder to specify in their offer (part 1 bid) the category of their registration under GST like Registered, Unregistered and composite dealer.
- b) The provisional GST registration number of Bharat Heavy Electrical Ltd, Heavy Electricals Equipment Plant, Ranipur, Haridwar is "05AAACB4146P1ZL" with state Code as "05" and State Name as "Uttarakhand".
- c) Please quote our provisional GST registration number in all invoices raised for supply of goods and services under GST regime and also ensure filing of timely return and payment of tax and compliance of other applicable provisions on supplier under GST regime.
- d) No GST will be reimbursed to unregistered or composite dealer. In the event, any GST is quoted by composite dealer, the same shall be added to the cost of supply in evaluating the bid.
- e) Since, input credit of GST will be available to BHEL-Haridwar only after correct filing of return and payment of applicable GST by supplier, reimbursement of GST shall be made by

BHEL-Haridwar on matching of vendor inputs at GST portal, ensuring availability of input credit to BHEL Haridwar. Payment of GST will be made to vendor after matching of input credit and vendor to ensure submission of their invoices along with consent to accept payment of tax after such matching in all cases where bills are submitted directly to BHEL-Haridwar or through bank or under LC or through any other mode.

- f) In the event of any disallowance of input credit or applicability of interest or any other financial liability arises on BHEL-Haridwar due to any default of supplier under GST, such implication shall be to supplier's account.
- g) In the event of any change in the status of the vendor after the submission of the bid but before the supply, GST applicable at the time of supply or in the bid, based on the registration status of the vendor, whichever is lower shall be payable.
- h) Where ever applicable If PAN (Permanent Account Number) of the recipient is not available, income tax is deductible either at the normal rate or at the rate of 20 percent, whichever is higher as per Section 206AA of Indian Income Tax Act 1961.
- i) The bidder shall clearly indicate HSN (*Harmonised System Nomenclature*) / SAC (*Service Accounting Code*), its description and applicable rate of GST for each item in his techno-commercial bid.
- j) Statutory Variation in Taxes & duties as applicable at the time of supply shall be payable. However, in the event of no change in law but bidder quoting certain tax structure in bid document which is lower than the applicable one, such amount shall be the maximum amount of tax that can be claimed by bidder.
- k) **IMPORTED GOODS OFFERED BY INDIAN BIDDERS AGAINST DEALER INVOICE:** Wherever the material being offered is imported, the bidder must quote the prices inclusive of IGST. The rate and value of IGST as included in the price must be indicated separately. In case quantum of IGST is not mentioned by the bidder the same will not be considered for



## BHARAT HEAVY ELECTRICALS LIMITED

HEEP-HARIDWAR, UTTARAKHAND (249403)

General Instructions and Standard Terms & Conditions for bidding against Tender Enquiry (GISTC)

For Indian Bidders (Version June-2021, Rev: 06)

evaluation. However, bidder will have to pass on the benefit of IGST to BHEL at the time supply.

- l) In case of directly dispatchable items to Customer's Site, BHEL-Haridwar will inform the GST registration number of the respective customer which must be mentioned on the vendor's invoice. Vendor to ensure availability of such information from BHEL-Haridwar before dispatch of any material. However, while filing GSTN-1, BHEL Haridwar GSTN number to be quoted.

Note: - Vendors must ensure compliance of all the applicable rules and procedure as envisaged in the GST Regime. Any loss to BHEL-Haridwar due to fault / non-compliance by the vendor will be to the vendor's account.

### 12. BANK GUARANTEE.

In case the bank guarantees are required to be deposited towards security deposit/performance guarantee or for any other purpose as per the terms of this tender enquiry, such bank guarantees of the requisite value in the denominated currency of the purchase order should be from one of the Indian branch of BHEL consortium banks and the bank guarantee should be in the proforma as prescribed by BHEL. The proforma of bank guarantee and the list of consortium banks are displayed at BHEL website [www.bhelhwr.co.in](http://www.bhelhwr.co.in). However, in case the bank guarantee is not from BHEL consortium banks, then the bidder has to get the bank guarantee confirmed from one of the Indian branch of BHEL consortium banks and the bank charges for such confirmation will be borne by the bidder.

### 13. GUARANTEE / WARRANTY AND CORRESPONDING REPAIRS / REPLACEMENT OF GOODS.

Goods shall comply with the specifications for material, workmanship and performance. Unless otherwise specified, the warranty shall be for a period of 18 months from the date of receipt. If the delivery is found non-compliant during the warranty period, leading to rejection, the Seller shall arrange free replacement / repair of goods, within one month from the date of intimation or any mutually agreed period. The rejected goods shall be taken away by the Seller at his cost and

replaced on Delivered Duty Paid (DDP) (FOR - BHEL Stores / designated destination basis) within such period. In the event of the Seller's failure to comply, Purchaser may take action as appropriate, including Repair / Replenish rejected goods & disposal of rejections, at the risk & cost of the Seller. In case the defects attributable to Seller are detected during processing of the goods at BHEL or at our subcontractor's works, the Seller shall be responsible for free replacement / repair of the goods as required by BHEL.

- b) **RETURN OF REJECTED MATERIAL FOR REPLACEMENT:** The bidder shall have to pay 5% incidental charges while taking back supplied material if it is found rejected on receipt. The rejected material shall be sent back only after receipt of replacement / submission of BG / refund of amount paid.

### 14. QUALITY REQUIREMENT.

Your bid / quotation should have specific confirmation regarding meeting all our quality requirements such as. (i) Test Certificate (TC), (ii) Guarantee Certificate (GC) / Warranty Certificate (WC), (iii) Quality Plan (QP) (if applicable); and (iv) Pre-Dispatch Inspection at your works (if applicable).

### 15. VALIDITY.

The quotation should be valid for a minimum period of 90 days effective from the date of opening of tender, unless otherwise specified in the tender enquiry.

### 16. RIGHT OF ACCEPTANCE.

- a) **BHARAT HEAVY ELECTRICALS LIMITED HARIDWAR** reserves the right to reject any or all the bids / quotations without assigning any reason thereof. BHEL also reserves the right to increase or decrease the tendered quantities. Bidders should be prepared to accept order for reduced quantity without any extra charges.
- b) Any discount / revised offer / bids submitted by a bidder on its own shall be considered, provided it is received on or before the due date and time of offer / bid submission (Part-1). Conditional discounts shall not be considered for evaluation of tenders.



## BHARAT HEAVY ELECTRICALS LIMITED

HEEP-HARIDWAR, UTTARAKHAND (249403)

General Instructions and Standard Terms & Conditions for bidding against Tender Enquiry (GISTC)

For Indian Bidders (Version June-2021, Rev: 06)

- c) Unsolicited discounts / revised offers / bids given after Part-1 bid opening shall not be accepted. No change in price will be permitted within the validity period asked for in the tender enquiry.
- d) In case of changes in scope and / or technical specification and / or commercial terms & conditions having price implication, techno-commercially acceptable bidders shall be asked by BHEL to submit the impact of such changes on their price bids. In case a bidder opts to submit revised price bid instead of impact called for then the latest price bid shall prevail. However, in both situations, original price bid will be necessarily opened.
- e) The bidder whose bid is technically not accepted will be informed & EMD wherever submitted shall be returned after finalization of contract. EMD shall be forfeited in the event of bidder opting out after tender opening.
- f) BHEL reserves the right to short close the existing Purchase Order / Rate Contract / Work Order or any extension thereof at any stage.

### 17. TRANSIT INSURANCE.

- a) Transit Insurance will be covered by BHEL under its open Insurance Policy. Seller shall inform dispatch particulars (Purchase Order, RR /GR, Invoice value etc.) to "Finance department (Store bill Section), BHEL Ranipur, Haridwar (Uttarakhand-India) with value of consignment to the Purchaser within 07 days of dispatch for BHEL to arrange insurance coverage in its policy. Failure on the part of seller to inform dispatch particulars will make him liable to pay for any transit damages / losses suffered by the Purchaser.
- b) If Quoted Prices are inclusive of transit insurance, no weightage shall be given while evaluating the bids for Cost of Insurance, being in BHEL Scope.

### 18. RISK PURCHASE.

In case of abnormal delays (beyond the maximum late delivery period as per LD clause) in supplies / defective supplies or non-fulfillment of any other terms and conditions given in Purchase Order, BHEL may cancel the Purchase Order in full or part thereof, and may also make the purchase of such material from elsewhere / alternative source at the risk and cost of the supplier. BHEL will take all reasonable steps to get the material from alternate source at optimum cost. If bidder does not agree to the above Risk Purchase Clause, BHEL reserves the right to reject the offer. In case for compelling reasons BHEL accepts the offer without acceptance of this clause by the bidder and in the eventuality of Risk Purchase, appropriate action will be taken as per BHEL extant rules. This will be without prejudice to any other right of BHEL under the contract or under General Law.

### 19. FORCE MAJEURE CLAUSE.

Notwithstanding any other thing contained anywhere else in the contract or PO (Purchase Order), In case the discharge of obligation under the contract by either party is impeded or made unreasonably onerous, neither party shall be considered in breach of the contract to the extent that performance of their respective obligation is prevented by an event of Force Majeure that arises after the effective date (PO date).

In the above clause, Force Majeure means an event beyond the control of the parties to the contract which prevents a party from complying with any obligation of the contract including but not limited to:

- Act of God (Such as but not limited to earthquake, drought, tidal waves, floods etc.).
- War (whether war be declared or not), Hostilities Invasion, Act of foreign enemy etc.
- Rebellion, revolution, insurrection, civil war etc.
- Contamination of Radio Activity from any nuclear fuel or from any other nuclear waste or any other hazardous materials.
- Riots, commotions, strike unless restricted to the employees of supplier.
- Acts of terrorism.



## BHARAT HEAVY ELECTRICALS LIMITED

HEEP-HARIDWAR, UTTARAKHAND (249403)

General Instructions and Standard Terms & Conditions for bidding against Tender Enquiry (GISTIC)

For Indian Bidders (Version June-2021, Rev: 06)

- g) Other unforeseeable circumstances beyond the control of the parties and which the affected party cannot avoid even by using its best efforts.
- h) Cancellation of contract by customer.
- i) Change in law / government. Regulation making the performance impossible.
- j) Pandemic or Epidemic.

The party claiming to be affected by force majeure shall notify the other party in writing immediately without delay on the intervention and on the cessation of such circumstances.

Irrespective of any extension of time, if an event of force majeure occurs and its effect continues for more than 180 days the affected party shall have right to cancel the contract.

As soon as reasonably practicable following the date of commencement of a Force Majeure Event, and within a reasonable time following the date of termination of a Force Majeure Event, either Party invoking it shall submit to the other Party reasonable proof of the nature of the Force Majeure Event and of its effect upon the performance of the Party's obligations under this Agreement.

The party shall, and shall ensure that its Subcontractors shall, at all times take all reasonable steps within their respective powers and consistent with Good Operating Practices (but without incurring unreasonable additional costs) to:

- a) Prevent Force Majeure Events affecting the performance of the party's obligations under this Agreement.
- b) mitigate the effect of any Force Majeure Event and
- c) Comply with its obligations under this Agreement.

If the war like situation has developed in a country where a seller's works is located in this P.O. or there is political instability and Indian Embassy located in that country forbids or advises for not having any business dealing with the sellers located in such zone / region/ country, then BHEL reserves the right to cancel the order.

### 20. NON-DISCLOSURE AGREEMENT.

All Drawing and Technical Documents relating to the product or it's manufacture submitted by one party to the other, prior or

subsequent to the formation of contract, shall remain property of the submitting party. Drawing, technical documents or other technical information received by one party, shall not without the consent of the other party, be used for any other purpose than that, for which they were provided. Such technical information shall not without the consent of the submitting party, otherwise be used or copied, reproduced, transmitted or communicated to a third party. Patterns supplied by BHEL will remain BHEL's property which shall be returned by the bidder on demand to BHEL. Bidder shall in no way share or use such intellectual property of BHEL to promote his own business with others or to gain a commercial advantage. BHEL reserves the right to claim damages from the bidder, or take appropriate action as deemed fit against the bidder, for any infringement of the provisions contained herein as available under law or equity.

### 21. SETTLEMENT OF DISPUTES / ARBITRATION.

In case of any dispute arising out of as in connection with this contract, the same shall be referred to arbitration under Arbitration & Conciliation Act 1996 of a sole arbitrator who shall be appointed by mutual consent of the parties. The seat & venue of arbitration shall be Haridwar.

The proceedings shall be conducted in English. The Governing law of contract shall be the substantive law of India.

### 22. WHARFAGE / DEMURRAGE RESPONSIBILITY.

In the event of delay in receipt of documents by Manager (Stores-Shipping) BHEL-Haridwar and in case where dispatches are made through Unapproved Transporter the sole responsibility for wharfage / demurrage for such delay shall be that of supplier.

### 23. CONDITIONS FOR AVAILING MICRO & SMALL ENTERPRISES (MSE'S) BENEFITS.

- a) "MSE Suppliers can avail the intended benefits only if they submit along with the offer, attested copies of either EM II certificate having deemed validity (**five years** from the date of issue of acknowledgement in EM II) or valid NSIC certificate or EM II certificate along with attested copy of a CA certificate



## BHARAT HEAVY ELECTRICALS LIMITED

HEEP-HARIDWAR, UTTARAKHAND (249403)

General Instructions and Standard Terms & Conditions for bidding against Tender Enquiry (GISTC)

For Indian Bidders (Version June-2021, Rev: 06)

(Format enclosed at annexure-1 where deemed validity of EM II certificate of five years has expired) applicable for the relevant financial year (latest audited). Date to be reckoned for determining the deemed validity will be the date of bid opening (Part 1 in case of two-part bid) or vendor has to give Udyog Adhar Memorandum (UAM). Non submission of such documents will lead to consideration of their bid at par with other bidders. No benefit shall be applicable for this enquiry if any deficiency in the above required documents is found or the requisite documents are not submitted before price bid opening. If the tender is to be submitted through e-procurement portal, then the above require document are to be uploaded on the portal. Documents should be notarized or attested by a Gazetted officer. **UAM need not required to be notarized or attested.**

**b)** Any new supplier will be eligible for registration with BHEL as MSE supplier provided at least any one of the following documents are submitted along with application for registration: -

1. Udyog Adhar Memorandum (UAM).
2. Valid National Small Industries Commission (NSIC) Certificate.
3. Entrepreneurs Memorandum part II (EM II) certificate (valid based on deemed validity of 5 years) or
4. EM II certificate along with attested copy of CA Certificate (as per prescribed format at annexure-A) applicable for the relevant financial year (latest audited), where the deemed validity of EM II is over.
5. However, credentials of all MSE suppliers will be verified before advancing the intended benefits.
6. MSE bidders claiming SC/ST status will have to submit SC/ST certificate of the Proprietor from competent authority. Attested (notarized or attested by Gazetted officer) copy to be submitted along with the offer.
7. In case techno-commercial accepted bidders include MSE source and their prices (based on landed cost – considering quoted prices) are within the price band of 15% w.r.t. L-1 bidder, then BHEL can offer **25%** of quantity of respective item (rounded off to nearest number) to MSE bidders at L-1 price and in case, more than one MSE bidder is in 15 % band and the same is accepted by more than one MSE bidders then **25%** quantities of respective items will be considered for ordering on proportionate basis amongst MSE bidders.
8. There will be minimum of **3%** reservation for women owned MSEs within the above mentioned 25% reservation.
9. The reservation for MSEs owned by SC/ST will be **6.25%** { 25% out of target of 25% - refer para 4 of Public Procurement Policy for the Micro and Small Enterprises(MSEs)}.
10. The definition of MSEs owned by Women Entrepreneurs is clarified as under:
  - a) In case of proprietary MSE, proprietor shall be Woman.
  - b) In case of partnership MSE, the Woman partners shall be holding at least 51% of share in the unit.
  - c) In case of Private Limited companies, at least 51% share shall be held by Women promoters.
11. The definition of MSEs owned by SC/ST is clarified as under:
  - a) In case of proprietary MSE, proprietor(s) shall be SC/ST.
  - b) In case of partnership MSE, the SC/ST partners shall be holding at least 51% of shares in the unit.
  - c) In case of Private Limited companies, at least 51% share shall be held by SC/ST promoters.
12. While distributing the **25%** quantity amongst MSE bidders the decimal points in quantity shall be ignored for all the bidders except the L-1 amongst MSE bidders. Balance quantity after allocating the quantity to other MSE bidders ignoring the quantities in decimal, shall be given to L-1 (amongst MSE) bidder. However, if there are more than one MSE bidder at the same price level than preference for additional quantities due to ignoring off the decimal (as mentioned above) shall be given to the bidder offering favorable terms to BHEL and if the conditions offered are also same then preference will be given to the bidder having high SPR rating.
13. In case there are more than one MSE bidders (with different landed cost to BHEL) within 15% price band of lowest bidder and quantity to be offered is 1 no. only, then preference shall be given to the MSE bidder with lowest landed cost.
14. In case there are more than one MSE bidders (with same landed cost to BHEL) within 15% price band of lowest bidder and quantity to be offered is 1 no. only, then preference shall be given first, based on the favorable terms in the bid and in case terms are also same, the bidder with high SPR rating shall be given preference.
15. If L1 bidder is MSE bidder, entire quantity will be given to such MSE bidder only.

**## Quotations / Bids not in accordance with General Instructions and Standard Terms & Conditions are likely to be ignored.**



## BHARAT HEAVY ELECTRICALS LIMITED

HEEP-HARIDWAR, UTTARAKHAND (249403)

General Instructions and Standard Terms & Conditions for bidding against Tender Enquiry (GISTIC)

For Indian Bidders (Version June-2021, Rev: 06)

16. Note: It may however be noted that MSE guidelines as on date (Date of Technical Bid Opening Part-1) shall prevail.

17. "As per the OM No. F.No. 1(2)(1)/2016-MA dtd. 09.02.2017 issued from the Office of Development Commissioner (Micro, Small & Medium Enterprises), "Traders and agents should not be allowed to avail the benefits extended under the PP Policy."

In view of this, it is clarified that benefits of MSE (such as EMD Waiver, Tender fee exemption, Price preference, Payment preference etc.) will be given only to those MSE Vendors who are manufacturers of offered items against the NIT. No MSE benefits shall be provided to Agents / Stockists / Dealers / Traders etc. for the items offered but not manufactured by themselves."

#### 24. INFORMATION TO THE BIDDERS.

a) Purchase related information is available at our Business-to-Business (B2B) Portal available on our website <https://hwr.bhel.com>. The user ID & password can be obtained by sending a request to concerned purchase executives.

b) Intimate your change in mail address or communication address or changes, if any, by email to AGM (SDX/MM) giving your bidder Code.

c) Please resolve your rejections and unexecuted overdue purchase order immediately which are posted at our B2B Portal, which can be visited through our site <https://hwr.bhel.com>

d) Copy of this Tender Enquiry is being sent through the post.

e) The Bidder declares that they will not enter into any illegal or undisclosed agreement or understanding, whether formal or informal with other bidder(s). This applies in particular to prices, specifications, certifications, subsidiary contracts, submission or non-submission of bids or any other actions to restrict competitiveness or to introduce cartelization in the bidding process.

In case, the bidder is found having indulged in above activities, suitable action shall be taken by BHEL as per extant policies/guidelines.

f) Supplier must upload digitally signed e-Invoice on B2B portal for processing of Bills.

In other cases, inked signed hard copy of Invoice to be submitted for processing of Bills.

#### 25. MAKE IN INDIA (GOVT-NOTIFICATION).

A. This tender enquiry shall be governed by notification no. P-45021/2/2017-PP (BE-II) dated 04.06.2020 of government of INDIA and subsequent circulars issued afterwards. Accordingly, the minimum local content, the margin of purchase preference and the procedure for preference to make in INDIA shall be adhered.

B. The margin of purchase preference shall be 20%.

- 'Class-I local Supplier' means a supplier or service provider, whose goods, services or works offered for procurement, has local content equal to or more than 50%, as defined under this order.
- 'Class-II local Supplier' means a supplier or service provider, whose goods, services or works offered for procurement, has local content more than 20% but less than 50%, as defined under this order.
- 'Non- local Supplier' means a supplier or service provider, whose goods, services or works offered for procurement, has local content less than or equal to 20%, as defined under this order.

C. Vendor to specifically confirm if they are Class-I or Class-II local supplier or not as per above mentioned notification. Accordingly, the 'Class-I local supplier' / 'Class-II local Supplier' at the time of tender, bidding or solicitation shall be required to indicate percentage of local content and provide self-certification that the item offered meets the local content requirement for 'Class-I local supplier' / 'Class-II local Supplier', as the case may be. They shall also give details of the location(s) at which the local value addition is made.

D. In cases of Procurement for a Value in Excess of Rs. 10 Crores, the 'Class-I local supplier' / 'Class-II local Supplier' shall be required to provide a Certificate from the Statutory Auditor or Cost Auditor of the Company (in the case of companies) or from a practicing Cost Accountant or practicing Chartered Accountant (in respect of suppliers other than companies) giving the percentage of Local Content.



## BHARAT HEAVY ELECTRICALS LIMITED

HEEP-HARIDWAR, UTTARAKHAND (249403)

General Instructions and Standard Terms & Conditions for bidding against Tender Enquiry (GISTC)

For Indian Bidders (Version June-2021, Rev: 06)

### E. Requirement of Purchase Preference:

Purchase preference shall be given to 'Class-I local supplier' in procurements undertaken by procuring entities in the manner specified hereunder -

a. In the procurements of goods or works, which are covered by para 3(b) of mentioned Govt. circular and which are divisible in nature, the 'class-I local supplier' shall get purchase preference over 'Class-II supplier' as well as 'Non-local supplier', as per following procedure:

- i. Among All qualified bids, the lowest bid will be termed as L1. If L1 is 'Class-I local supplier', the contract for full quantity will be awarded to L1.
- ii. If L1 bid is not a 'Class-I local supplier', 50% of the order quantity shall be awarded to L1. Thereafter, the lowest bidder among the 'Class-I local supplier' will be invited to match the L1 price for the remaining 50% quantity subject to the class-I local supplier's quoted price falling within the margin of purchase preference, and contract for that quantity shall be awarded to such 'Class-I local supplier' subject to matching the L1 price. In case such lowest eligible 'Class-I local supplier' fails to match the L1 price or accepts less than the offered quantity, the next higher 'Class-I local supplier' within the margin of purchase preference shall be invited to match the L1 price for remaining quantity and so on, and contract shall be awarded accordingly. In case some quantity is still left uncovered on Class-I local supplier, then such balance quantity may also be ordered on the L1 bidder".

b. In the procurements of goods or works, which are covered by para 3(b) of mentioned Govt. circular and which are not divisible in nature, and in procurement of services where the bid is evaluated on price alone, the 'class-I local supplier' shall get purchase preference over 'Class-II supplier' as well as 'Non-local supplier', as per following procedure:

- i. Among all qualified bids, the lowest bid will be termed as L1. If L1 is 'Class-I local supplier', the contract will be awarded to L1.
- ii. If L1 is not 'Class-I local supplier', the lowest bidder among the 'Class-I local supplier', will be invited to match the L1 price subject to Class-I local supplier's quoted price falling

within the margin of purchase preference, and the contract shall be awarded to such 'Class-I local supplier' subject to matching the L1 price.

- iii. In case such lowest eligible 'Class-I local supplier', fails to match the L1 price, the 'Class-I local supplier' with the next higher bid within the margin of purchase preference shall be invited to match the L1 price and so on and contract shall be awarded accordingly. In case none of the 'Class-I local supplier' within the margin of purchase preference matches the L1 prices, the contract may be awarded to the L1 bidder.

c. 'Class-II local supplier' will not get purchase preference in any procurement, undertaken by procuring entities.

F. For this procurement, the local content to categorize a supplier as a Class-I local supplier/ Class-II local supplier/ Non-local supplier and purchase preference to Class-I local supplier, is as defined in Public Procurement (Preference to Make in India), Order 2017 dated 04.06.2020 issued by DPIIT. In case of subsequent orders issued by nodal ministry, changing the definition of local content for the items of the NIT, the same shall be applicable even if issued after issue of this NIT, but before opening of Part-II bids against this NIT.

G. Procurements where estimated value to be procured is less than Rs. 5 lakhs shall be exempted from GOI order No. P-45021/2/2017-PP (BE-II) dated 04.06.2020.

H. For procurement of Goods & Services which are divisible in nature, following shall be operated for **MSE bidders** under Public procurement Policy for the Micro and Small Enterprises (MSEs) Amendment Order, 2019, Ref. No. AA:SSP: MSE: Amndt, dtd. 30.11.2018, Circular No. 44 of 2018-19;-

a. If L1 bid is not from "Class-I local Supplier" and price quoted by MSE bidder falls within the margin of Purchase preference (L1+15% for MSEs), then 25 % of total order quantity of respective item (rounded off to nearest number) shall be awarded to MSE bidder, subject to MSE bidder matching the L1 Price. Out of Remaining 75% quantity, distribution shall be operated as per below sub-clause (2) –

b. If "Class- I Local Supplier" (Next to L1, other than MSE) quoted price falling within the Margin of Purchase Preference, and "Class-I local supplier" matches the L1 price,



## BHARAT HEAVY ELECTRICALS LIMITED

HEEP-HARIDWAR, UTTARAKHAND (249403)

General Instructions and Standard Terms & Conditions for bidding against Tender Enquiry (GISTC)

For Indian Bidders (Version June-2021, Rev: 06)

then 50% of remaining Quantity (after allocation of 25% to MSE) i.e. 37.5% shall be awarded to local supplier and 37.5% shall be awarded to foreign bidder.

*Note: L1 Price refers to lowest evaluated / landed cost to Company.*

For Further details, please refer GOI order no. P-45021 / 2 / 2017 - PP (BE-II) dated 04.06.2020.

### 26. RESTRICTIONS UNDER RULE 144(XI) OF THE GENERAL FINANCIAL RULES (GFRs), 2017

All provisions of Order No. F.No.6/18/2019-PPD of Department of Expenditure (DoE) shall be applicable for this tender enquiry (Order copy is available at <https://doe.gov.in/procurement-policy-divisions>). Accordingly, any bidder from a country which shares a land border with India (except the countries to which the Govt. of India has extended lines of credit or in which the Govt. of India is engaged in development projects for which list is available at <https://www.mea.gov.in/>) will be eligible to bid in this tender only if the bidder is registered with the Competent Authority as specified in Annex I of the said Order of DoE.

Updated list of the countries to which lines of credit have been extended or in which development projects are undertaken are available on the Ministry of External affairs website (<https://www.mea.gov.in/>)

For the purpose of this order, definition of Bidder from a country which shares a land border with India shall be same as defined in the Annex III of the said order.

Registration with the competent authority as stipulated in the said order is responsibility of bidder. Bidder has to submit a certificate certifying following along with offer:

"I have read the clause regarding restrictions on procurement from a bidder of a country which shares a land border with India; I certify that bidder (.... Name of Bidder) is not from such a country or, if from such a country, has been registered with the Competent Authority. I hereby certify that bidder (.....Name of bidder) fulfils all requirements in this regard and is eligible to be considered"

If the bidder is from such country which shares a land border with India evidence of valid registration by the Competent Authority shall also be attached along with offer."

### 27. NOTE.

- a) Special conditions of enquiry, if enclosed by BHEL, will supersede the respective standard / general terms of enquiry.
- b) Any other Standard terms and Conditions of the bidder attached / referred against the tender enquiry will be treated as null and void ab initio.
- c) In order to protect the commercial interests of BHEL, it becomes necessary to take action against suppliers / contractors by way of suspension of business dealings, who either fail to perform or are in default without any reasonable cause, cause loss of business / money / reputation, indulged in malpractices, cheating, bribery, fraud or any other misconducts or formation of cartel so as to influence the bidding process or influence the price etc. Guide- lines for Suspension of Business Dealings with Suppliers / Contractors shall prevail over which is available at BHEL website <http://www.bhel.com>
- d) The bidder along with its associate / collaborators / sub-contractors / sub-vendors / consultants / service providers shall strictly adhere to BHEL Fraud Prevention Policy displayed on BHEL website <http://www.bhel.com> and shall immediately bring to the notice of BHEL-Management about any fraud or suspected fraud as soon as it comes to their notice.
- e) "BHEL shall recover the amount of compensation paid to victim(s) by BHEL towards loss of life / permanent disability due to an accident which is attributable to the negligence of contractor, agency or firm or any of its employees as detailed below;
  1. **Victim:** Any person who suffers permanent disablement or dies in an accident as defined below.
  2. **Accident:** Any death or permanent disability resulting solely and directly from any unintended and unforeseen injurious

## Quotations / Bids not in accordance with General Instructions and Standard Terms & Conditions are likely to be ignored.



## BHARAT HEAVY ELECTRICALS LIMITED

HEEP-HARIDWAR, UTTARAKHAND (249403)

General Instructions and Standard Terms & Conditions for bidding against Tender Enquiry (GISTC)

For Indian Bidders (Version June-2021, Rev: 06)

occurrence caused during the manufacturing / operation and works incidental thereto at BHEL factories/ **offices and precincts** thereof , project execution , erection and commissioning, services, repairs and maintenance, trouble shooting, serving , overhaul, renovation and retrofitting , trial operation, performance guarantee testing undertaken by the company or during any works / during working at BHEL Units/ Offices/ townships and premises/ project sites.

### 3. Compensation in respect of each of the victims:

- (i) In the event of death or **permanent disability** resulting from **Loss of both limbs**: Rs. 10,00,000/- (Rs. Ten Lakh).
- (ii) In the event of **other permanent disability**: Rs. 7,00,000/- (Rs. Seven Lakh).

4. Permanent Disablement: A disablement that is classified as a permanent total disablement under the proviso to Section 2(l) of the Employees Compensation Act, 1923.”

f) The bidder shall be in compliance with applicable laws, rules and regulations throughout the terms of the contract for conducting its business generally and to perform its obligations under this contract.



# COMBINED BILL OF MATERIAL

Printed On:12.09.2023

Printed By:

CBOM No: 11604570020 CBOM Var: 00

Revno: 5

Rev Date: 23.03.2019

Description: HOTWELL-I

Total weight: 8175.0

## RECORD OF CHANGES

Drawing No	Var	Revno	Rev Date	Description
11604570020	00	1	12.06.2015	Auto Revision 31601670547/00
11604570020	00	2	13.06.2015	Auto Revision 31601670547/00
11604570020	00	3	18.06.2016	Blank size & route update in item-1,2 & 3 Route update in item-18,19 & 20
11604570020	00	4	02.02.2019	Auto Revision 31601670547/00
11604570020	00	5	23.03.2019	Auto Revision 31601370086/00 31601670547/00;

CBOM - 11604570020 00

	ENGG		WTX	
	Initial	Date	Initial	Date
Worked By	hxemuk	06.02.2015	wtxman	07.02.2015
Checked By	hxemuk	07.02.2015	wtxblm	07.02.2015
Approved By	hxesk	09.02.2015	wtxblm	07.02.2015



# COMBINED BILL OF MATERIAL

Printed On: 12.09.2023

Printed By:

**CBOM No:** 11604570020 **CBOM Var:** 00  
**Description:** HOTWELL-I

**Revno:** 5

**Rev Date:** 23.03.2019

**Total weight:** 8175.0

Item No	Drawingno Var Mvar	Mat Code	Mat Spec	Weight	Blank Sizes	Nos	Qty	Norm/pc	Extra Norm	Total Norm
Qty( Total )	Description		Assy. Remarks	Inclusion?	Mat Shape		Remarks			
Typ Cat Zone	Var/Matl. Description		ENGG SIZE/GRP	Fab Wt	Route				Spare Code	Unit
0	11604570020 00			8175.0						
1(1)	HOTWELL-I			Y						
MF CD			Y		0306-0314-000D					
1	21604570133 00 00	AA1011819112	AA10119	890.0	1774.0X3995.0	1	1	935.5	0.0	935.5
1(1)	SHELL		BORROWED	Y	PL 16					
MF DR					0072-0301-0306				DR	KG
2	21604570133 01 00	AA1011819112	AA10119	1244.0	2480.0X3995.0	1	3	1307.8	0.0	3923.4
3(3)	SHELL		BORROWED	Y	PL 16					
MF DR					0072-0301-0306				DR	KG
3	21604570133 02 00	AA1011819112	AA10119	328.0	654.0X3995.0	1	1	344.9	0.0	344.9
1(1)	SHELL		BORROWED	Y	PL 16					
MF DR					0072-0301-0306				DR	KG
4	31604570262 00 00	AA1011819112	AA10119	328.36	1328.0X2456.0	1	1	430.5	0.0	430.5
1(1)	END PLATE		BORROWED	Y	PL 16					
MF DR					0072-0301-0306				DR	KG
5	31604570271 00 00	AA1011819112	AA10119	277.45	1328.0X2456.0	1	1	538.0	0.0	538.0
1(1)	END PLATE-II		BORROWED	Y	PL 16					
MF DR					0072-0301-0306				DR	KG
6	31604570263 00 00	AA1011819112	AA10119	2.35	175.0X120.0	1	20	2.8	0.0	56.0
20(20)	STIFFENER		BORROWED	Y	PL 16					
MF DR					0072-0301-0306				DR	KG
7	31604570278 00 00	AA1041801114	AA10401	2.26	175.0X120.0	1	4	2.8	0.0	11.2
4(4)	STIFFENER		BORROWED	Y	PL 16					
MF DR					0072-0301-0317-0306					KG
8	21604570134 00 00	HW1047955130	AA10455	2.62	163.0	1	2	0.163	0.0	0.326
2(2)	NOZZLE		BORROWED	Y	114.3X6.02					
MF DR					0072-0315-0306				DR	MR
9	21604570134 02 00	HXEW10400079	AA10455	35.07	431.0	1	2	0.431	0.0	0.862
2(2)	NOZZLE		BORROWED	Y	355.6X9.53					
MF DR					0072-0315-0306				DR	MR

**ENGG**

**WTX**

	<b>Initial</b>	<b>Date</b>	<b>Initial</b>	<b>Date</b>
Worked By	hxemuk	06.02.2015	wtxman	07.02.2015
Checked By	hxemuk	07.02.2015	wtxblm	07.02.2015
Approved By	hxesks	09.02.2015	wtxblm	07.02.2015



# COMBINED BILL OF MATERIAL

Printed On: 12.09.2023

Printed By:

**CBOM No:** 11604570020 **CBOM Var:** 00  
**Description:** HOTWELL-I

**Revno:** 5

**Rev Date:** 23.03.2019

**Total weight:** 8175.0

Item No	Drawingno Var Mvar	Mat Code	Mat Spec	Weight	Blank Sizes	Nos	Qty	Norm/pc	Extra Norm	Total Norm
Qty( Total )	Description		Assy. Remarks	Inclusion?	Mat Shape			Remarks		
Typ Cat Zone	Var/Matl. Description		ENGG SIZE/GRP	Fab Wt	Route				Spare Code	Unit
10	41604570123 00 00	AA1011819074	AA10119	83.5	1885.0X557.0	1	1	87.0	0.0	87.0
1(1)	NOZZLE		BORROWED	Y	PL 10					
MF DR					0072-0301-0306			DR		KG
11	41604570118 00 00	AA1010209248	AA10109	2.3	160.0	1	2	6.308	0.0	12.616
2(2)	SOCKET		BORROWED	Y	RND 80					
MF DR					0072-0315-0306			DR		KG
12	31604570265 00 00	AA1011819112	AA10119	797.46	4884.0X1300.0	1	1	838.0	0.0	838.0
1(1)	PARTITION PLATE-I		BORROWED	Y	PL 16					
MF DR					0072-0301-0306			DR		KG
13	31604570269 00 00	AA1011819112	AA10119	813.79	4984.0X1300.0	1	1	855.0	0.0	855.0
1(1)	PARTITION PLATE-II		BORROWED	Y	PL 16					
MF DR					0072-0301-0306			DR		KG
14	31604570264 00 00	AA1011819112	AA10119	18.0	1199.0X120.0	1	2	19.0	0.0	38.0
2(2)	STIFFENER		BORROWED	Y	PL 16					
MF DR					0072-0301-0306			DR		KG
15	31604570264 01 00	AA1011819112	AA10119	7.4	492.0X120.0	1	6	7.8	0.0	46.8
6(6)	STIFFENER		BORROWED	Y	PL 16					
MF DR					0072-0301-0306			DR		KG
16	31604570264 02 00	AA1011819112	AA10119	10.3	684.0X120.0	1	4	10.8	0.0	43.2
4(4)	STIFFENER		BORROWED	Y	PL 16					
MF DR					0072-0301-0306			DR		KG
17	31604570264 03 00	AA1011819112	AA10119	8.7	579.0X120.0	1	2	9.2	0.0	18.4
2(2)	STIFFENER		BORROWED	Y	PL 16					
MF DR					0072-0301-0306			DR		KG
18	31604570272 00 00	AA1011819112	AA10119	4.9	356.0X120.0	1	2	5.6	0.0	11.2
2(2)	STIFFENER		BORROWED	Y	PL 16					
MF DR					0072-0301-0306			DR		KG
19	31604570272 01 00	AA1011819112	AA10119	4.5	335.0X120.0	1	4	5.3	0.0	21.2
4(4)	STIFFENER		BORROWED	Y	PL 16					
MF DR					0072-0301-0306			DR		KG

**ENGG**

**WTX**

Worked By	hxemuk	06.02.2015	wtxman	07.02.2015
Checked By	hxemuk	07.02.2015	wtxblm	07.02.2015
Approved By	hxesks	09.02.2015	wtxblm	07.02.2015



# COMBINED BILL OF MATERIAL

Printed On:12.09.2023

Printed By:

CBOM No: 11604570020 CBOM Var: 00

Revno: 5

Rev Date: 23.03.2019

Description: HOTWELL-I

Total weight: 8175.0

Item No	Drawingno Var Mvar	Mat Code	Mat Spec	Weight	Blank Sizes	Nos	Qty	Norm/pc	Extra Norm	Total Norm
Qty( Total )	Description		Assy. Remarks	Inclusion?	Mat Shape		Remarks			
Typ Cat Zone	Var/Matl. Description		ENGG SIZE/GRP	Fab Wt	Route				Spare Code	Unit
20	31604570272 02 00	AA1011819112	AA10119	3.2	246.0X120.0	1	2	3.9	0.0	7.8
2(2)	STIFFENER		BORROWED	Y	PL 16					
MF DR					0072-0301-0306			DR		KG
21		AA7115102023	AA7115102	0.059	0.0	0	0	0.0	0.0	8.0
8(8)	BOLT HEX C-4.6			Y	M12X50					
SI DR	BOLT HEX C-4.6				0075-0306					NO
22		HW7151195079	HW7151195	0.087	0.0	0	0	0.0	0.0	8.0
8(8)	NUTS HEX A 04CR18NI10			Y	M12					
SI DR	NUTS HEX A 04CR18NI10				0075-0306					NO
23		AA1010209124	AA10109	4.58	1190.0	1	24	4.8	0.0	115.2
24(24)	ROUND BAR DIA 25,L=1190			Y	RND 25					
MF DR	ST-C20-HR-RND				0072-0315-0306					KG
24		HW1041146787	AA10446	1.08	200.0	1	2	0.2	0.0	0.4
2(2)	PIPE 60.3X3.91,L=200			Y	PI 60.3X3.91					
MF DR	ST-BQ-A1-CDS-TUBE				0072-0315-0306					MR
25	31650170184 07 00	AA1011819155	AA10119	1.25	150.0X150.0	1	2	4.6	0.0	9.2
2(2)	PLT FLANGE		BORROWED	Y	PL 25			DIA 150.		
MF DR					0072-0301-0317-0390					KG
26	31650170185 07 00	AA1011819155	AA10119	1.62	150.0X150.0	1	2	4.64	0.0	9.28
2(2)	BLANK FLANGE		BORROWED	Y	PL 25					
MF DR					0072-0301-0317-0306			DR		KG
27	11603470043 00			132.0						
2(2)	MAN HOLE ASSLY.		BORROWED	Y						
MF DR			N		0306					
27-1	31603470045 00 00	AA1011819074	AA10119	37.0	300.0X1565.0	1	2	38.7	0.0	77.4
1(2)	PIPE			Y	PL 10					
MF DR					0072-0301-0306					KG
27-3	31650170184 18 00	AA1011819198	AA10119	32.4	655.0X655.0	1	2	111.0	0.0	222.0
1(2)	PLT FLANGE			Y	PL 40			PL 40,DIA 655/500		
MF DR					0072-0301-0317-0306					KG

ENGG

WTX

Worked By	hxemuk	06.02.2015	wtxman	07.02.2015
Checked By	hxemuk	07.02.2015	wtxblm	07.02.2015
Approved By	hxesks	09.02.2015	wtxblm	07.02.2015



# COMBINED BILL OF MATERIAL

Printed On: 12.09.2023

Printed By:

CBOM No: 11604570020    CBOM Var: 00

Revno: 5

Rev Date: 23.03.2019

Description: HOTWELL-I

Total weight: 8175.0

Item No	Drawingno Var Mvar	Mat Code	Mat Spec	Weight	Blank Sizes	Nos	Qty	Norm/pc	Extra Norm	Total Norm
Qty( Total )	Description		Assy. Remarks	Inclusion?	Mat Shape			Remarks		
Typ Cat Zone	Var/Matl. Description		ENGG SIZE/GRP	Fab Wt	Route				Spare Code	Unit
27-4 1(2) MF DR	31603470043 00 00 BLANK FLANGE	AA1011819163	AA10119	67.8 Y	645.0X645.0 PL 28	1	2	75.37 PL 28,DIA 645	0.0	150.74 KG
					0072-0301-0317-0306					
27-5 1(2) MF DR	41604570004 00 00 HANDLE	AA1010209086	AA10109	0.44 Y	325.0 RND 16	1	2	0.513 RND DIA 16,L=325	0.0	1.026 KG
					0072-0315-0306					
27-6 2(4) SI DR	SCRU HEX SET F.D.P A-14H M10X45	AA7121130076	AA7121130	0.029 Y	0.0	0	0	0.0	0.0	4.0 NO
					0075-0062-0306					
27-7 1(2) SI DR	WASHER MCD-ST 21.0	AA7161001099	AA7161001	0.017 Y	0.0	0	0	0.0	0.0	2.0 NO
					0075-0062-0306					
27-8 2(4) MF DR	41601570001 00 00 LUG	AA1011819139	AA10119	0.38 Y	53.0X110.0 PL 20	1	4	1.3	0.0	5.2 KG
					0072-0301-0317-0306					
27-9 2(4) MF DR	41601570002 00 00 LUG	AA1011819139	AA10119	0.38 Y	53.0X110.0 PL 20	1	4	1.3	0.0	5.2 KG
					0072-0301-0317-0306					
27-10 1(2) MF DR	ROUND BAR DIA20 ST-C20-HR-RND	AA1010209108	AA10109 310.0	0.75 Y	310.0 RND 20	1	2	0.8 RND DIA 20,L=310	0.0	1.6 KG
					0072-0315-0306					
27-11 1(2) MF DR	GASKET DIA 570/476 CAF-SHEET	HW2151702987	AA21502	0.15 Y	570.0X570.0 1.6 T	1	2	0.25 CAF SH S=1.6,DIA 570/476	0.0	0.5 KG
					0072-0306					
27-12 20(40) SI DR	BOLT HEX A-4.8 M20X80	AA7111119053	AA7111119	0.258 Y	0.0	0	0	0.0	0.0	40.0 NO
					0075-0062-0306					
27-13 20(40) SI DR	NUT HEX C-4 M20	AA7151131062	AA7151131	0.014 Y	0.0	0	0	0.0	0.0	40.0 NO
					0075-0062-0306					

ENGG

WTX

Worked By	hxemuk	06.02.2015	wtxman	07.02.2015
Checked By	hxemuk	07.02.2015	wtxblm	07.02.2015
Approved By	hxesk	09.02.2015	wtxblm	07.02.2015



# COMBINED BILL OF MATERIAL

Printed On:12.09.2023

Printed By:

CBOM No: 11604570020 CBOM Var: 00

Revno: 5

Rev Date: 23.03.2019

Description: HOTWELL-I

Total weight: 8175.0

Item No	Drawingno	Var	Mvar	Mat Code	Mat Spec	Weight	Blank Sizes	Nos	Qty	Norm/pc	Extra Norm	Total Norm
Qty( Total )	Description				Assy. Remarks	Inclusion?	Mat Shape			Remarks		
Typ	Cat	Zone	Var/Matl.	Description	ENGG SIZE/GRP	Fab Wt	Route				Spare Code	Unit
28	31604570249	00	00	AA1071840070	AA10740	1.1	40.0X355.0	1	4	1.2	0.0	4.8
4(4)	STIFFENER				BORROWED	Y	PL 10					
MF	DR						0072-0301-0306				DR	KG
29	31601670547	00				27.0						
3(3)	DISPERSER NOZZLE				BORROWED	Y						
MF	DR				N		0306					
29-1	31601670548	00	00	HW1047955199	AA10455	24.5	530.0	1	3	0.53	0.0	1.59
1(3)	PERFORATED PIPE					Y	219.1X8.18					
MF	DR						0072-0315-0317-0306					MR
29-2	41605170117	00	00	AA1011819074	AA10119	2.4	200.0X200.0	1	3	3.3	0.0	9.9
1(3)	PLATE					Y	PL 10					
MF	DR						0072-0301-0306					KG
30	31601370086	00	00	HW1047955199	AA10455	22.0	520.0	1	3	0.52	0.0	1.56
3(3)	NOZZLE				BORROWED	Y	219.1X8.18					
MF	DR						0072-0315-0306					MR

CBOM - 11

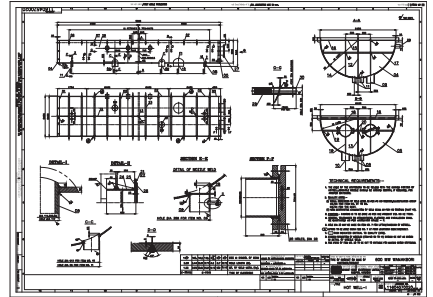
	ENGG		WTX	
	Initial	Date	Initial	Date
Worked By	hxemuk	06.02.2015	wtxman	07.02.2015
Checked By	hxemuk	07.02.2015	wtxblm	07.02.2015
Approved By	hxesk	09.02.2015	wtxblm	07.02.2015



PRODUCED BY AN AUTODESK EDUCATIONAL PRODUCT

PRODUCED BY AN AUTODESK EDUCATIONAL PRODUCT

PRODUCED BY AN AUTODESK EDUCATIONAL PRODUCT



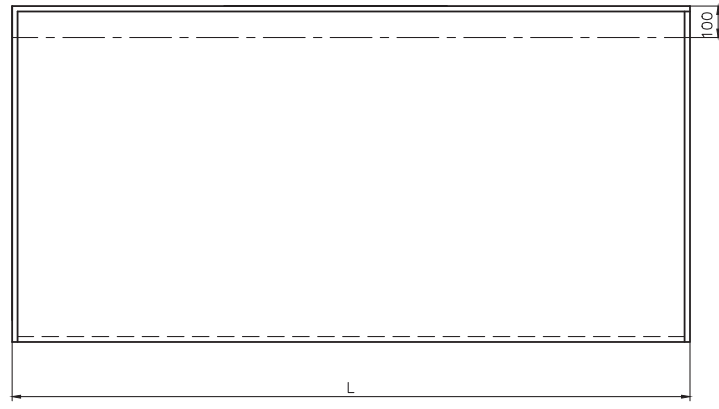
PRODUCED BY AN AUTODESK EDUCATIONAL PRODUCT

21604570133

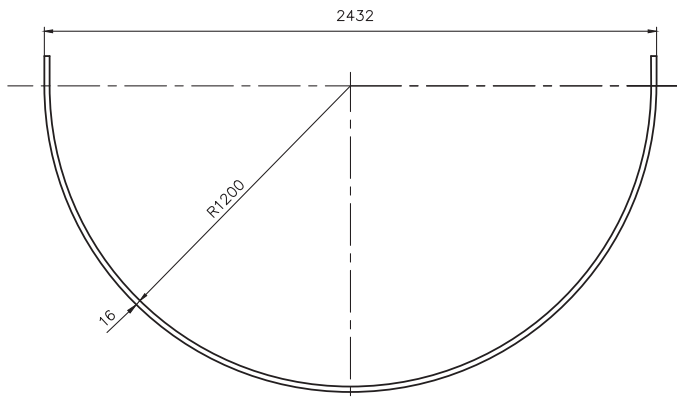
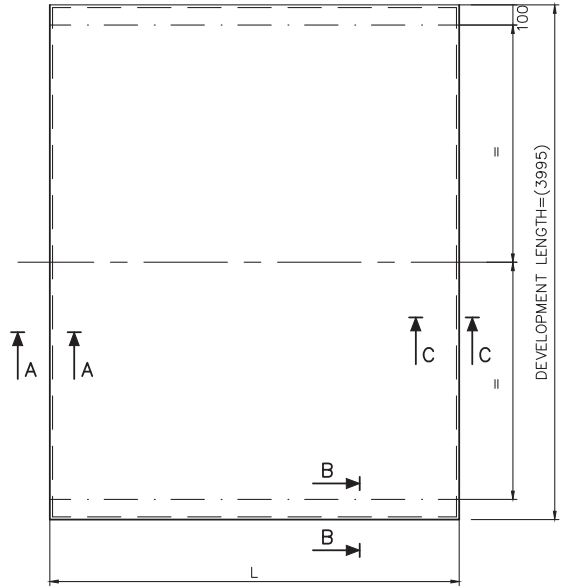
COPYRIGHT AND CONFIDENTIAL  
THE INFORMATION ON THIS DOCUMENT IS THE PROPERTY OF BHARAT HEAVY ELECTRICALS LIMITED. IT MUST NOT BE USED DIRECTLY OR INDIRECTLY IN ANY WAY DETRIMENTAL TO THE INTEREST OF THE COMPANY.

प्रतिलिपि अधिकार सुरक्षा / REFERENCE DRG.NO.  
अन्यथा का प्रयोग करने से कम्पनी को नुकसान हो सकता है। इसका प्रयोग या प्रतिलिपि बनाना कम्पनी के हितों के विरुद्ध है।

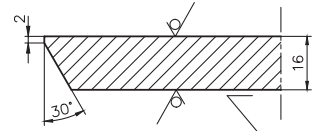
संख्या / INVENTORY NO.  
संशोधन / REV.  
दिनांक / DATE



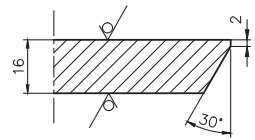
**DEVELOPMENT**  
(AT MEAN DIA)



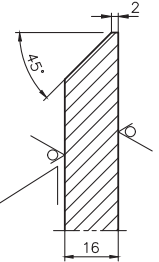
**A-A**  
1:1



**C-C**  
1:1



**B-B**  
1:1



45° (ONLY FOR VAR 00)

OUT SIDE SURFACE

TABLE: -

VAR	L	WEIGHT (KG)	ITEM NO.
00	1774	890	1
01	2480	1244	2
02	654	328	3

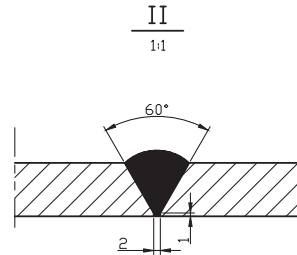
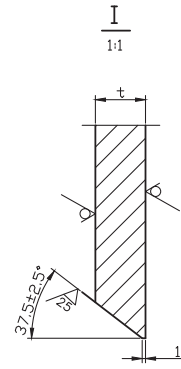
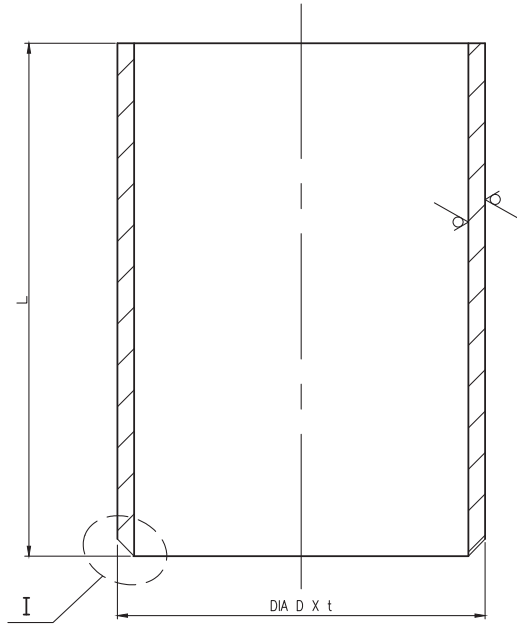
असह्य विमाओं का वर्ग GRADE OF UNTOLERANCED DIMENSION		मौ.वि.ओ.ए./C.B.O.M. 11604570016		उत्पाद का प्रकार या ग्राहक/परियोजना का नाम TYPE OF PRODUCT OR NAME OF CUSTOMER/PROJECT		800 MW YERAMARUS						
संशोधन - एए0230208 पर MACHINING - AA0230208 m		अनुमोदित/अनुमोदित AGRD DEPT. नाम/NAME		दिनांक/DATE		भारत हेवी इलेक्ट्रिकल्स लिमिटेड, रानीपुर, हरिद्वार BHARAT HEAVY ELECTRICALS LIMITED, RANIPUR, HARDWAR		नाम/NAME		दिनांक/DATE		
वैशेष - एए0621104 को श्रेणी 'B' WELDING-CLASS 'B' OF AA0621104		वैशेष टैग्स		-		अविनाश SAUMYA		Sd/-		20.08.11		
मूल कोटिंग - एए0621101 को सामग्री 3 GAS CUTTING-TABLE 3 OF AA0621101		-		-		S.KANT		Sd/-		20.08.11		
संशोधन REV.	दिनांक DATE	अनुमोदित BY	दिनांक DATE	संशोधन REV.	दिनांक DATE	अनुमोदित BY	दिनांक DATE	वजन WEIGHT (KG)	अनुपात/SCALE	मूल कोड SEE-TABLE	असह्य विमाओं का वर्ग REFER TO ASSLY. DRG.	संख्या/NO. OF SHEETS
								1:10	11604570016	21604570133	22/23	
शीट/कोड SHELL								शीट/कोड CARD CODE		शीट/कोड DRAWING NO.		
शीट/कोड SHELL								शीट/कोड CARD CODE		शीट/कोड DRAWING NO.		
शीट/कोड SHELL								शीट/कोड CARD CODE		शीट/कोड DRAWING NO.		

PRODUCED BY AN AUTODESK EDUCATIONAL PRODUCT

21604570134

ON SNINWYB/DRAW/ISSUE/REVISED

50 THE REST.



TABLE

VAR.	D X t	L	Wt. (kg)
00	114.3X6.02	163	2.62
01	323.9X7.1	418	23.18
02	355.6X9.53	431	35.07
03	323.9X8.38	418	27.78
04	323.9X10	431	34
05	508X9.53	557	66.5

TECH. REQUIREMENTS:-

- IF REQUIRED, NOZZLE VAR. 02 MAY BE MADE FROM PLATE (AA10119).
- WELDING TO BE DONE AS PER DETAIL - II.
- VISUAL INSPECTION OF WELD SEAM AS PER PS HW 0620099, CLASSIFICATION GROUP CS/BK.
- NON DESTRUCTIVE EXAMINATION OF WELD SEAM TO BE DONE AS PER HW 0850199 PART 10.

असह्य विमाओं का वर्ग GRADE OF UNTOLERANCED DIMENSION		मौ. वि. ओ. एम. / C.B.O.M. 11604570013		उत्पाद का प्रकार या ग्राहक/परियोजना का नाम TYPE OF PRODUCT OR NAME OF CUSTOMER/PROJECT	
मशीनिंग - एए0230208 पर MACHINING - AA0230208 m		अनुमोदित/अनुमोदित AGRD/DEPT. नाम/NAME		वर्ष/दिनांक/DATE	
वैलिंग - एए0621104 को श्रेणी वा WELDING - CLASS 'B' OF AA0621104		वैलिंग टेक्नो.		-	
गैस काटिंग - एए0621101 को सामान्य 3 GAS CUTTING - TABLE 3 OF AA0621101		-		-	
क्र. सं./REV. 03	दिनांक/DATE 21.05.18	अनुमोदित/ALTERED BY ANIL	क्र. सं./REV. 02	दिनांक/DATE 13.6.16	अनुमोदित/ALTERED BY S.K.
HXE-18-F0059		HXE-16-F0040		HXE-16-F0035	
VAR. 05 ADDED. AS MARKED ⑤		VAR. 04 ADDED. AS MARKED ④		VAR. 03 ADDED. AS MARKED ③	
क्र. सं./REV. 01		दिनांक/DATE 21.05.16	अनुमोदित/ALTERED BY M.S.	क्र. सं./REV. 01	दिनांक/DATE 21.05.16
HXE-18-F0059		HXE-16-F0040		HXE-16-F0035	
VAR. 05 ADDED. AS MARKED ⑤		VAR. 04 ADDED. AS MARKED ④		VAR. 03 ADDED. AS MARKED ③	
क्र. सं./REV. 01		दिनांक/DATE 21.05.16	अनुमोदित/ALTERED BY M.K.	क्र. सं./REV. 01	दिनांक/DATE 21.05.16
HXE-18-F0059		HXE-16-F0040		HXE-16-F0035	
VAR. 05 ADDED. AS MARKED ⑤		VAR. 04 ADDED. AS MARKED ④		VAR. 03 ADDED. AS MARKED ③	
क्र. सं./REV. 01		दिनांक/DATE 21.05.16	अनुमोदित/ALTERED BY M.K.	क्र. सं./REV. 01	दिनांक/DATE 21.05.16
HXE-18-F0059		HXE-16-F0040		HXE-16-F0035	
VAR. 05 ADDED. AS MARKED ⑤		VAR. 04 ADDED. AS MARKED ④		VAR. 03 ADDED. AS MARKED ③	
क्र. सं./REV. 01		दिनांक/DATE 21.05.16	अनुमोदित/ALTERED BY M.K.	क्र. सं./REV. 01	दिनांक/DATE 21.05.16
HXE-18-F0059		HXE-16-F0040		HXE-16-F0035	
VAR. 05 ADDED. AS MARKED ⑤		VAR. 04 ADDED. AS MARKED ④		VAR. 03 ADDED. AS MARKED ③	

भारत हेवी इलेक्ट्रिकल्स लिमिटेड, रानीपुर, हरिद्वार  
BHARAT HEAVY ELECTRICALS LIMITED,  
RANIPUR, HARDWAR

विकास/DEPT. HXE	कोड/कोड 4222	अनुपात/SCALE 1:2	भार कि.ग. WEIGHT (KG) SEE - TABLE	अभिकल्प संख्या/DRAWING NO. REFER TO ASSLY. DRG. 11604570016	नाम/ITEM NO. 01	विवरण/DATE 23.08.11	सं. सं./No. OF SHEETS 23	कुल सं. सं./Total No. OF SHEETS 24	
शीट/कोड SHEET/CARD CODE		शीट/कोड SHEET/CARD CODE		शीट/कोड SHEET/CARD CODE		शीट/कोड SHEET/CARD CODE		शीट/कोड SHEET/CARD CODE	
शीट/कोड SHEET/CARD CODE		शीट/कोड SHEET/CARD CODE		शीट/कोड SHEET/CARD CODE		शीट/कोड SHEET/CARD CODE		शीट/कोड SHEET/CARD CODE	

NOZZLE

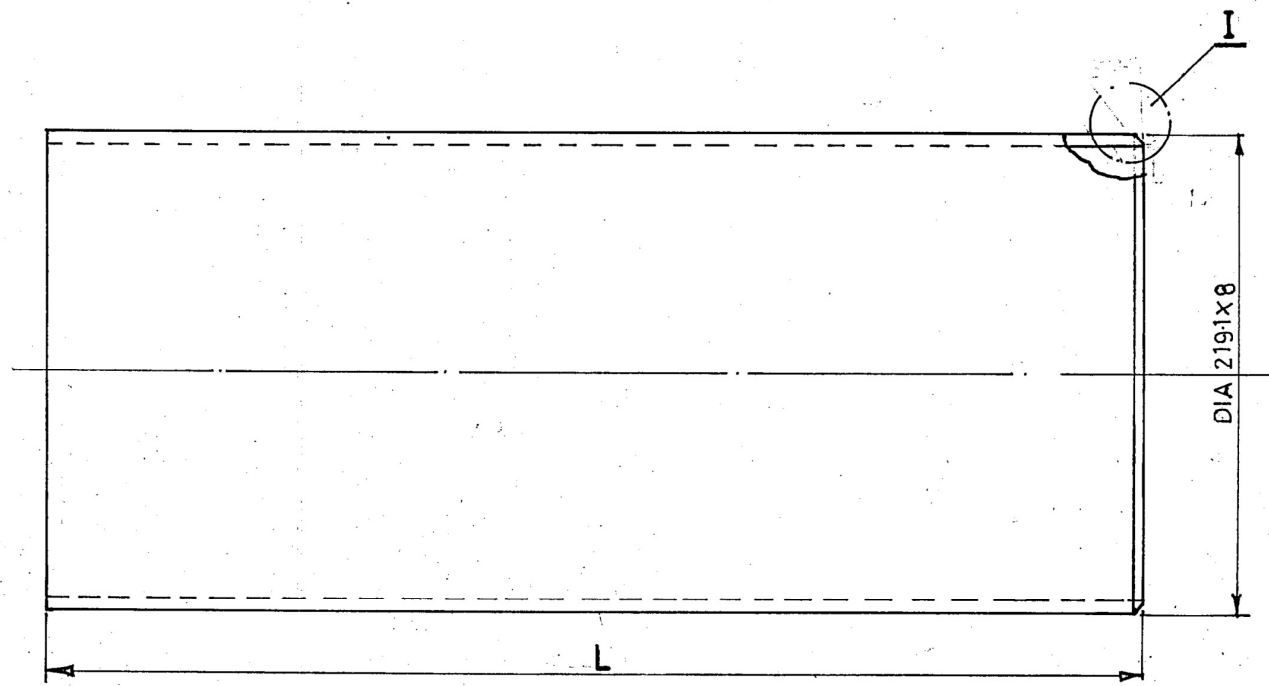
21604570134

3-160-13-70086

DRAWING NO.

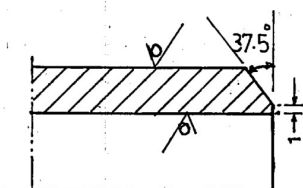
50  
THE REST

The information on this document is the property of BHARAT HEAVY ELECTRICALS LIMITED. It must not be used directly or indirectly in anyway detrimental to the interest of the company.



VAR	DIM. L
00	520
01	580
02	642

I  
SCALE 1:1



VAR. 00	REMARKS	ITEM NO.	DESCRIPTION	DRAWING NO.	MATERIAL CODE	UNIT WT. (Kg)
02			NOZZLE		HW1011047950 AA10147	26.50
01			NOZZLE		HW1011047950 AA10147	24.00
00			NOZZLE		HW1011047950 AA10147	21.50

GMS/GR. SP. NO. 0-160-13-70008 STATUS OF DRG.

TYPE OF PRODUCT OR NAME OF CUSTOMER/PROJECT

AGREED DEPT.	NAME	SIGN.	DATE
HT	C.B. Singh	C.B.S.	22-5-85

BHARAT HEAVY ELECTRICALS LTD. RANIPUR - HARDWAR.

REV	DATE	ALTERED	CHECKED

DRN.	NAME	SIGN.	DATE
	N.A.A.	Anan	
CHD.	N.P.M.	Prasad	2-5-85
APPD.	V.K.S.	V.K.S. axena	23-5-85

DEPT. HXE GRADE OF UNTOLDIM C/M/F SCALE 1:2.5 WEIGHT (Kg) SEE B.O.M.

REF. TO ASSY. DRG. ITEM NO. 32.33 34

TITLE NOZZLE

DRAWING NO. 3-160-13-70086 SHEET NO. 1 NO. OF SHEETS:- 1

Ref. Drg. No.

Sign & Date

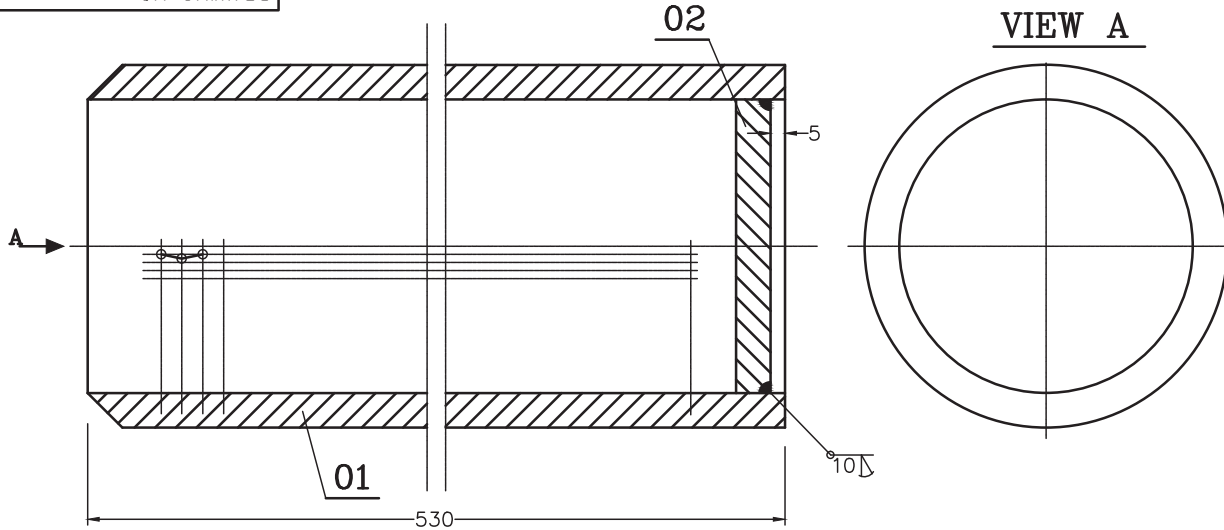
Inventory No.

FIRST ANGLE PROJECTION

(ALL DIMENSIONS ARE IN mm)

FORM: DG-38(B)

DRAWING NO. 31601670547



**TECHNICAL REQUIREMENTS:-**

1. QUALITY NOTE FOR WELDING:-CLASSIFICATION GROUPS ACCORDING HW 0620099 CC/BK  
TEST SCOPE ACCORDING TO HW 0850199. CAT. OF SERVICE REQUIREMENTS 3.
2. PAINTING IS TO BE DONE AS PER HE 77001.

COPYRIGHT AND CONFIDENTIAL  
 THE INFORMATION ON THIS DOCUMENT IS THE PROPERTY OF  
 BHARAT HEAVY ELECTRICALS LIMITED . IT MUST NOT BE USED DIRECTLY  
 OR INDIRECTLY IN ANY WAY DETRIMENTAL TO THE INTEREST OF THE COMPANY.

REF. DRG NO.

SIGN & DATE

INVENTORY NO.

GRADE OF UNTOL. DIM.:-		CBOM NO. 01601670064		STATUS OF DRG.		TYPE OF PRODUCT OR NAME OF CUSTOMER/ PROJECT		O.P. JINDAL STPP,4X600MW,Ph-III RAIGARH					
M/cg- V/C/M/F AA 0230208		WT.	TSC.	NAME	SIGN	DATE	BHARAT HEAVY ELECTRICALS LTD. HARDWAR		DRN	NAME	SIGN	DATE	NO.OF VAR.
WELDING=A/B/C/D-AA621104						16.02.09	S.K.B		CHD	AXAY KR.	Sd.	11.01.2010	0
GAS CUTTING-T3'AA0621101							S.K.B		APD	S.K.B	Sd.	11.01.2010	74
REV.	DATE	ALTERED CHECKED	REV.	DATE	ALTERED CHECKED	DEPT.		SCALE	WEIGHT(Kg.)	REF. TO ASSY. DRG.		ITEM NO.	NO.OF ITEMS
						CODE		N.T.S	27.0	01601670064			75, 77
						TITLE		DISPERSER NOZZLE		DRAWING NO. 31601670547			
						SHEET NO.				NO.OF SHEETS			

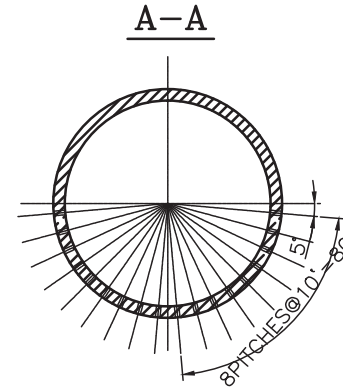
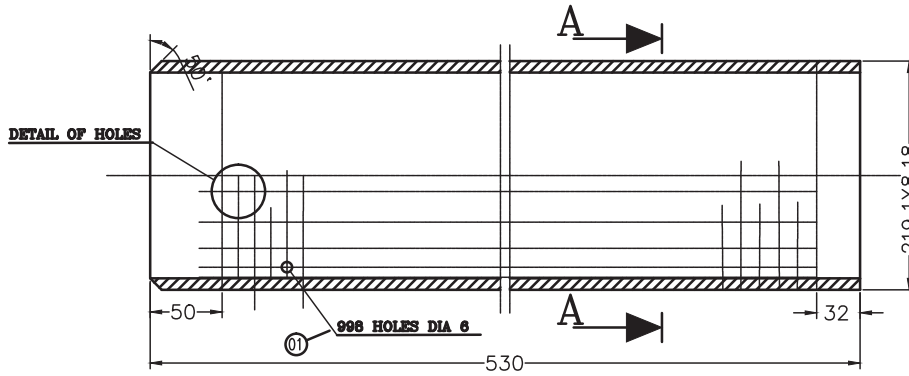
SIZE A3

FIRST ANGLE PROJECTION

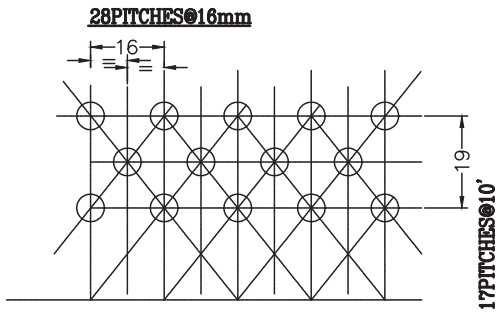
(ALL DIMENSIONS ARE IN mm)

FORM: DG-38(B)

DRAWING NO. 31601670548



**DETAIL OF HOLES**



COPYRIGHT AND CONFIDENTIAL  
 THE INFORMATION ON THIS DOCUMENT IS THE PROPERTY OF  
 BHARAT HEAVY ELECTRICALS LIMITED . IT MUST NOT BE USED DIRECTLY  
 OR INDIRECTLY IN ANY WAY DETRIMENTAL TO THE INTEREST OF THE COMPANY.

REF. DRG NO.

SIGN & DATE

INVENTORY NO.

GRADE OF UNTOL. DIM.:—	
M76G- VXC/M/F AA 0230208	
WELDING—A/B/C/D—AA621104	
GAS CUTTING—T3'AA0621101	
REV.	ALTERED
01	CHECKED

CBOM NO. 01601670064		STATUS OF DRG.	
AGREED DEPT.	NAME	SIGN	DATE
WT.	TSC.	Sd.	16.02.09
REV.	DATE	ALTERED VIMAL	
01	29.05.12	CHECKED A.K.	
HXE-12-F0103			
No. of holes changed from 1008 to 998. Circular pitch revised.			

TYPE OF PRODUCT OR NAME OF CUSTOMER/ PROJECT		O.P. JINDAL STPP,4X600MW,Ph-III RAIGARH			
BHARAT HEAVY ELECTRICALS LTD. HARDWAR	DRN	NAME	SIGN	DATE	NO.OF VAR.
	CHD	AXAY KR.	Sd.	11.01.2010	0
	APD	S.K.B	Sd.	11.01.2010	75, 74
DEPT.	SCALE	WEIGHT (Kg.)	REF. TO ASSY. DRG.	ITEM NO.	NO.OF ITEMS
	N.T.S	24.5	31601670547		75, 77
TITLE		DRAWING NO.		NO.OF SHEETS	
PERFORATED PIPE		31601670548		22, 23, 24	
SHEET NO. 01					

SIZE A3

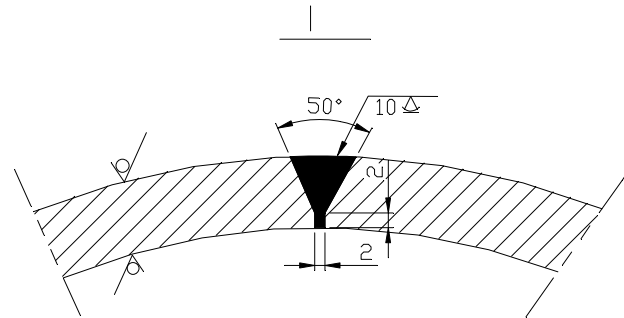
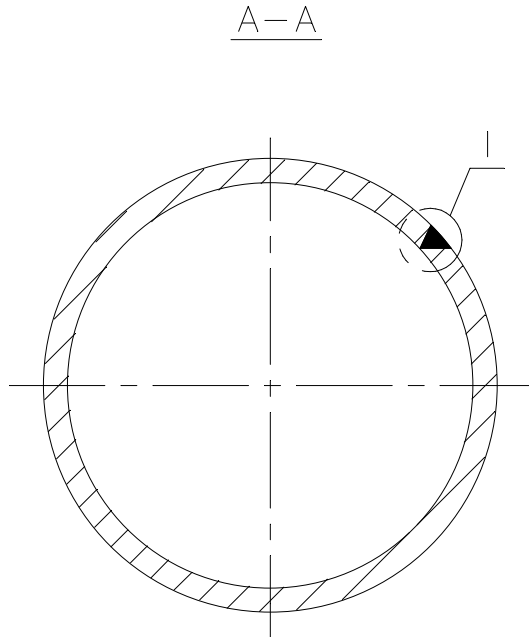
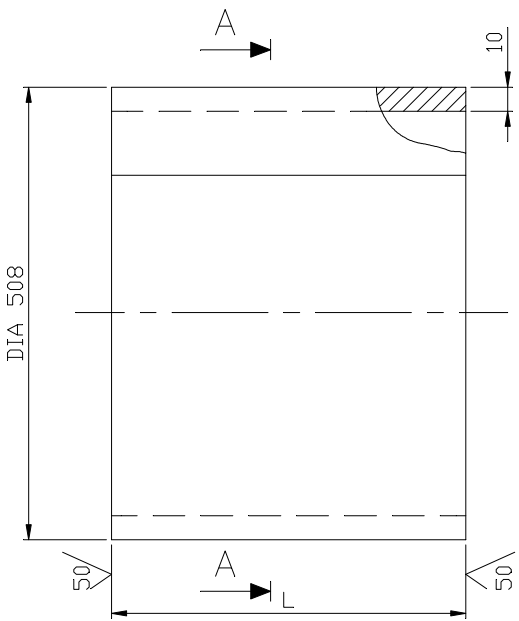


COPYRIGHT AND CONFIDENTIAL THE INFORMATION ON THIS DOCUMENT IS THE PROPERTY OF BHARAT HEAVY ELECTRICALS LIMITED. IT MUST NOT BE USED DIRECTLY OR INDIRECTLY IN ANY WAY DETERMINAL TO THE INTEREST OF THE COMPANY.

सौंपक मूम दल गल- सलुकास बासुत हवल [लल]कलसल ललमलदु कल सलसलसु हल [सकल प'खलसु यल अ'खलसु स' मूम] कसल बल त्रु प'खलसु नलमल कलसु गलसु गलसु सलसु तलसु तलसु मलमलर हलसु

31603470045  
AIBaklp saM#yaa/DRAWING No.

50/ THE REST



T.R. :-

- VISUAL INSPECTION OF WELD SEAMS AS PER HW0620099. CLASSIFICATION GROUPS :- CS.
- NON DESTRUCTIVE TESTING EXAMINATION OF WELD SEAMS AS PER HW0850199 PART 10.
- THE GENERAL TOLERANCES OF STRAIGHTNESS, FLATNESS AND PARALLELISM SHALL BE MAINTAINED AS PER AA0621105 GRADE-F.

VAR	L	DEVELOPED LENGTH	WEIGH (Kg)
00	300	1565	37.00
01	700	1565	86.50
02	1050	1565	129.0

INVENTORY NO. HXE 2-3623  
HISTORICAL DATE 23.4.87  
HISTORICAL SIGNATURE & REFERENCE DRG. NO.

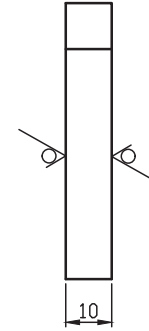
Asa*yaa ivamaaAaoM ka vaga- GRADE OF UNTOLERANCED DIMENSION		sal*bal*Aao*ema*/C.B.O.M. 01603470036		AIBaklp ka str STATUS OF DRG.		]P%Paad ka p'kar yaa					
maSalinaMga ? ee0230208 ema MACHINING - AA0230208 m		sahmat hvabaaga AGREED DEPTT. naama/NAME		hstaxar/ idnaMk/DATE		ga'ahkApiryaaajanaa ka naama TYPE OF PRODUCT OR NAME OF					
vaailDMMGga ? ee0621104 kl EaoNal bal WELDING-CLASS 'B' OF AA0621104		WT GUPTA		sd/- 05.03.87		CUSTOMER/PROJECT					
gaOsa kiTMGga ? ee0621101 kl saarNal 3		B.S.N.		D.D. TYAGI		Bharat Heavy Electricals Limited, Ranipur, Hardwar					
GAS CUTTING TABLE 3 OF AA0621101		M.P. SIN GUPTA		B.S.N.		Bharat Heavy Electricals Limited, Ranipur, Hardwar					
REV. DATE ALTERED BY		REV. DATE ALTERED BY		REV. DATE ALTERED BY		Baar ik'ga'a* WEIGHT (KG)		Asaambalal AIBaklp ka saMdBa- REFER TO ASSLY DRG.		naga EmaMk ki saM#yaa NO..OF ITEMS	
02 22.6.23 AXAY		01 09.12.10 D.D. TYAGI		01 09.12.10 D.D. TYAGI		SEE TABLE-I		31603470025		23 24	
HXE-23-F0058		HXE-10-F0146		HXE-10-F0146		N.T.S		31603470045		02	
VAR. 02 ADDED AS MARKED 02		SUPERSEDED BY SOFT COPY UNDER THE SAME DRG. NO.		SUPERSEDED BY SOFT COPY UNDER THE SAME DRG. NO.		PIPE DIA 508X10		31603470045		01	

31604570249  
DRAWING NO.

50 / ALL OVER EXCEPT OTHERWISE STATED

COPYRIGHT AND CONFIDENTIAL  
THE INFORMATION ON THIS DOCUMENT IS THE  
PROPERTY OF BHARAT HEAVY ELECTRICALS  
LIMITED. IT MUST NOT BE USED DIRECTLY OR  
INDIRECTLY IN ANY WAY DETERIMENTAL TO THE  
INTEREST OF THE COMPANY.

प्रयोक्ता (ए. पी. पी.)  
इस दस्तावेज़ में कोई भी परिवर्तन या संशोधन बिना लिखित  
अनुमति के नहीं किया जा सकता है। इसका प्रयोग या अप्रत्यक्ष रूप में किसी भी तरह  
किया नहीं किया जाना चाहिए। इसका उपयोग के बिना न होना चाहिए।



संशोधन और दिनांक / SIGN & DATE	असह्य विमाओं का वर्ग GRADE OF UNTOLERANCED DIMENSION		सी.बी.ओ.एम. / C.B.O.M.	अंशिकरण का स्तर STATUS OF DRG.	उत्पाद का प्रकार या ग्राहक/परियोजना का नाम TYPE OF PRODUCT OR NAME OF CUSTOMER/PROJECT		SHRI SINGHA JI 2X600 MW MALWA TPS					
	संशोधन REV.	दिनांक DATE	सहमत विमाएँ AGREED DEPTT.	नाम / NAME	हस्ताक्षर / SIGN.	दिनांक / DATE	नाम / NAME	हस्ताक्षर / SIGN.	दिनांक / DATE	संशोधन संख्या No. of Var.		
सामान्य भंडारण संख्या / INVENTORY NO.	मशीनिंग - एए0230208 एम MACHINING - AA0230208 m		वेल्डिंग टेक्नो.	ह.	—	भारत हेवी इलेक्ट्रिकल्स लिमिटेड, रानीपुर, हरिद्वार BHARAT HEAVY ELECTRICALS LIMITED, RANIPUR, HARDWAR	अभिकल्पकर्ता CHD	अभिकल्पकर्ता CHD	अभिकल्पकर्ता APPD	अभिकल्पकर्ता APPD		
	वेल्डिंग - एए0621104 की श्रेणी बी WELDING-CLASS 'B' OF AA0621104		गैस कटिंग - एए0621101 की श्रेणी 3 GAS CUTTING-TABLE 3 OF AA0621101		संशोधन REV.		दिनांक DATE	संशोधनकर्ता ALTERED BY	संशोधनकर्ता ALTERED BY	संशोधनकर्ता ALTERED BY	संशोधनकर्ता ALTERED BY	
						विभाग DEPTT.	श्री एम.वेंजर अंधे. HXE	अनुपात / SCALE 1:2	भार कि. गा. WEIGHT (KG) 1.1	असेम्बली अभिकल्प का संदर्भ REFER TO ASSLY. DRG. 01604570049	संशोधन संख्या ITEM NO.	संशोधन संख्या NO. OF ITEMS
						कोड / CODE 4222		शीर्षक / TITLE STIFFENER	कार्ड कोड CARD CODE	अभिकल्प संख्या / DRAWING NO. 31604570249	पृष्ठ संख्या / Sheets No. 01	पृष्ठों की संख्या / No. of Sheets 01

PRODUCED BY AN AUTODESK EDUCATIONAL PRODUCT

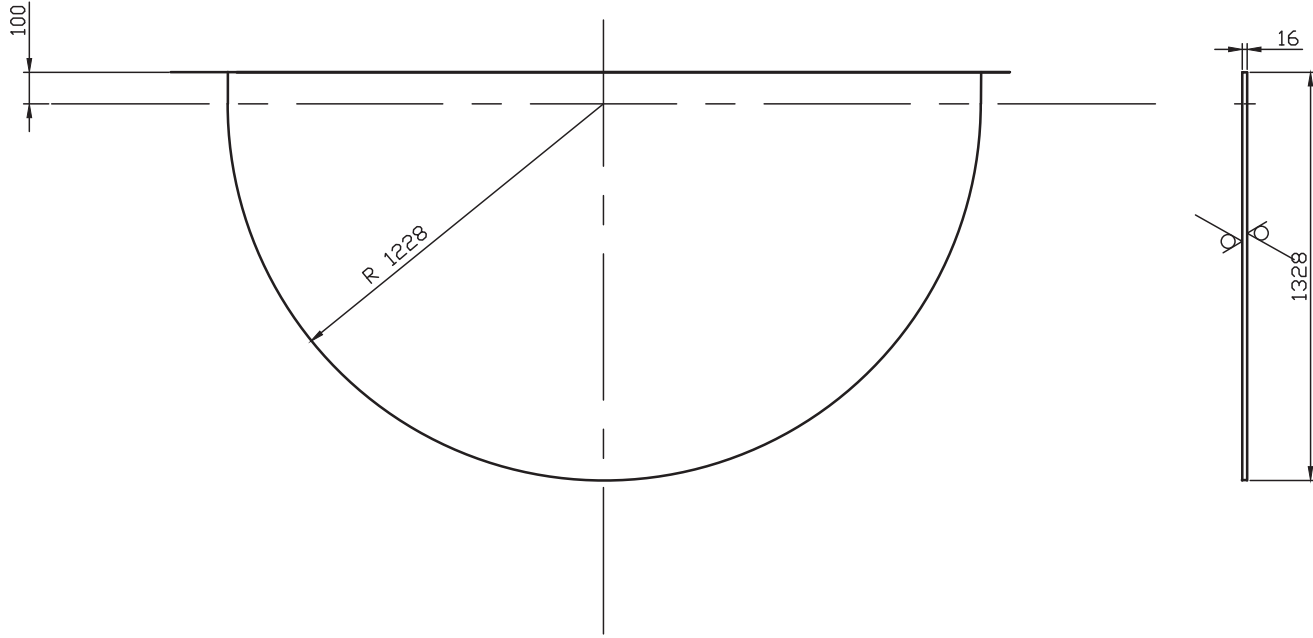
प्रथम कोण प्रक्षेपण/FIRST ANGLE PROJECTION

सभी विमाए मिलीमीटर में हैं।/ALL DIMENSIONS ARE IN mm.

पृष्ठ सं. 38 (बी)/FORM 38 (B)

31604570262  
DRAWING NO.

50°  
THE REST.



PRODUCED BY AN AUTODESK EDUCATIONAL PRODUCT

सर्व अधिकार सुरक्षित हैं।  
इस दस्तावेज़ में कोई भी अंश बिना लिखित अनुमति के प्रकाशित नहीं किया जा सकता है।  
इस दस्तावेज़ में कोई भी अंश बिना लिखित अनुमति के प्रकाशित नहीं किया जा सकता है।

संशोधन और दिनांक/संकेत/दिनांक  
संशोधन और दिनांक/संकेत/दिनांक  
संशोधन और दिनांक/संकेत/दिनांक

असह्य विमाओं का वर्ग GRADE OF UNTOLERANCED DIMENSION		सौ.वो.ओ.एम./C.B.O.M. 11604570013		अंशकृत का नंबर STATUS OF DRG.	उत्पाद का प्रकार या ग्राहक/परियोजना का नाम TYPE OF PRODUCT OR NAME OF CUSTOMER/PROJECT	660 MW LALITPUR							
मशीनिंग - एए0230208 एम MACHINING - AA0230208 m		सहमत विभाग AGREED DEPTT.	नाम/NAME	हस्ताक्षर/ SIGN.	दिनांक/DATE	भारत हेवी इलेक्ट्रिकल्स लिमिटेड, रानीपुर, हरिद्वार BHARAT HEAVY ELECTRICALS LIMITED, RANIPUR, HARDWAR		नाम/NAME	हस्ताक्षर/SIGN	दिनांक/DATE	कॉपी संख्या No. of Var.		
वेल्डिंग - एए0621104 की श्रेणी बी WELDING-CLASS 'B' OF AA0621104		वेल्डिंग टेक्नी.		ह.	-	DR	AVINASH	sd/-	20.08.11				
गैस कटिंग - एए0621101 की श्रेणी 3 GAS CUTTING-TABLE 3 OF AA0621101						CH	SAUMYA	sd/-	20.08.11				
	संशोधन REV.	दिनांक DATE	संशोधक ALTERED BY	संशोधन REV.	दिनांक DATE	संशोधक ALTERED BY	विभाग DEPTT.	हैट एक्सचेंजर अंश. HXE	अनुपात/SCALE	भार कि.गा. WEIGHT (KG)	संशोधन और दिनांक/संकेत/दिनांक REFER TO ASSLY. DRG. 11604570013	संशोधन और दिनांक/संकेत/दिनांक ITEM NO. TABLE	संशोधन और दिनांक/संकेत/दिनांक NO. OF ITEMS
						कोड./CODE 4222			1:15	328.36	अभिकल्प संख्या/DRAWING NO. 7 31604570262 22 23 24	पृष्ठ संख्या/Sheets No. 01	पृष्ठों की संख्या/No. of Sheets 01
						शीर्षक/TITLE		END PLATE		कार्ड कोड CODE			

A3 माइज़/A3 SIZE

PRODUCED BY AN AUTODESK EDUCATIONAL PRODUCT

प्रथम कोण प्रक्षेपण/FIRST ANGLE PROJECTION

सभी विमाए मिलिमीटर में हैं।/ALL DIMENSIONS ARE IN mm.

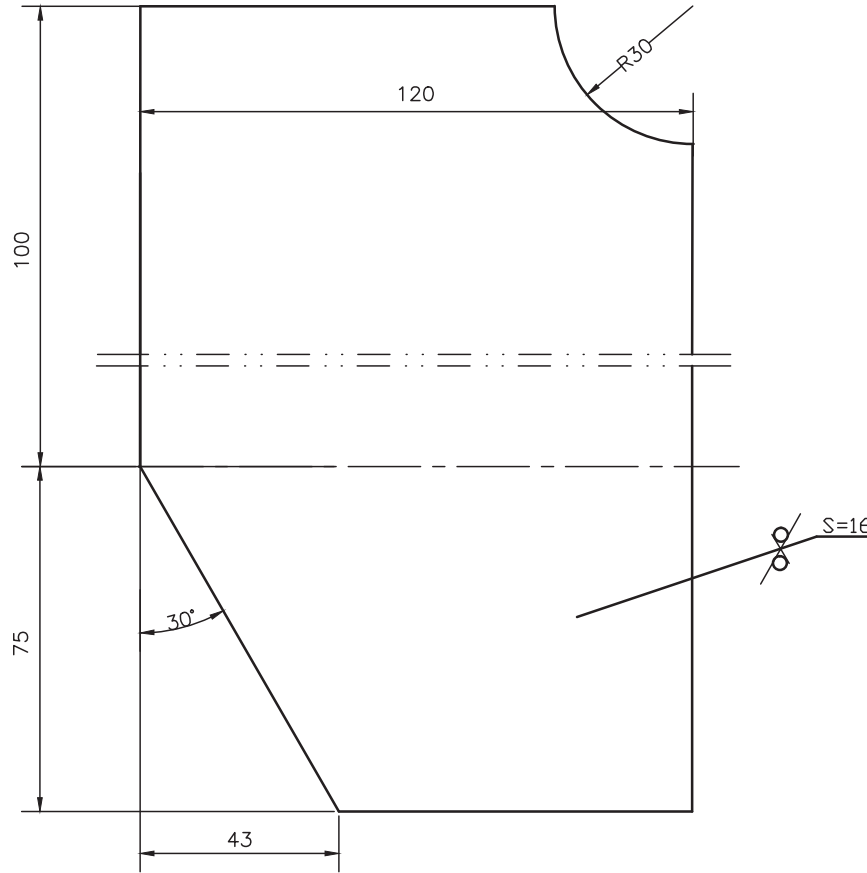
पृष्ठ सं. 38 (बी)/FORM 38 (B)

50 THE REST.

31604570263  
DRAWING NO.

PRODUCED BY AN AUTODESK EDUCATIONAL PRODUCT  
COPYRIGHT AND CONFIDENTIAL  
THE INFORMATION ON THIS DOCUMENT IS THE  
PROPERTY OF BHARAT HEAVY ELECTRICALS  
LIMITED. IT MUST NOT BE USED DIRECTLY OR  
INDIRECTLY IN ANY WAY DETERIMENTAL TO THE  
INTEREST OF THE COMPANY.

इस दस्तावेज़ में कोई भी सूचना भारत हेवी इलेक्ट्रिकल्स लिमिटेड की  
सम्पत्ति है। इसका प्रयोग या अप्रत्यक्ष रूप में किसी भी तरह  
प्रयोग नहीं किया जाना जो कंपनी के हित में हानिकारक हो।



संशोधन REV.	दिनांक DATE	संशोधनकर्ता ALTERED BY

असह्य विमाओं का वर्ग GRADE OF UNTOLERANCED DIMENSION	सो.वो.ओ.एम./C.B.O.M. 11604570013	अंशकृत्य का स्तर STATUS OF DRG.
मशीनिंग - एए0230208 एम MACHINING - AA0230208 m	सह्य विमा AGREED DEPTT.	नाम/NAME
वैल्डिंग - एए0621104 को श्रणी वी WELDING - CLASS 'B' OF AA0621104	वैल्डिंग टेक्नो.	ह.
गैस कटिंग - एए0621101 को श्रणी 3 GAS CUTTING - TABLE 3 OF AA0621101		

उत्पाद का प्रकार या ग्राहक/परियोजना का नाम TYPE OF PRODUCT OR NAME OF CUSTOMER/PROJECT	660 MW LALITPUR
विभाग DEPTT.	होट एक्सचेंजर ऑपे. HXE
कोड/कोड 4222	

अनुपात/SCALE	भार कि.गा. WEIGHT (KG)	असेम्बली अभिकल्प का संदर्भ REFER TO ASSLY. DRG.
1:1	2.37	11604570013
शीर्षक/TITLE	कार्ड कोड CARD CODE	अभिकल्प संख्या/DRAWING NO.
STIFFENER	7	31604570263

नाम/NAME	हस्ताक्षर/SIGN	दिनांक/DATE	वैकल्प संख्या No. of Var.
DR. AVINASH	sd/-	20.08.11	
SAUMYA	sd/-	20.08.11	
SKANT	sd/-	20.08.11	

A3 माइज़/A3 SIZE

PRODUCED BY AN AUTODESK EDUCATIONAL PRODUCT

प्रथम कोण प्रक्षेपण / FIRST ANGLE PROJECTION

सभी विमाए मिलीमीटर में हैं। / ALL DIMENSIONS ARE IN mm.

पृष्ठ सं. 38 (बी) / FORM 38 (B)

31604570264  
DRAWING NO.

50/ ALL OVER EXCEPT OTHERWISE STATED

ONLY FOR ITEM NO. 15 & 18

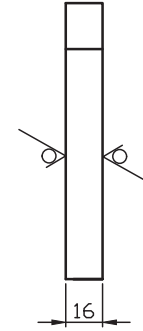


TABLE: -

VAR.	ITEM NO.	L	WT.(Kg)
00	14	1199	18
01	15	492	7.4
02	16	684	10.3
03	17	579	8.7

PRODUCED BY AN AUTODESK EDUCATIONAL PRODUCT  
COPYRIGHT AND CONFIDENTIAL  
THE INFORMATION ON THIS DOCUMENT IS THE  
PROPERTY OF BHARAT HEAVY ELECTRICALS  
LIMITED. IT MUST NOT BE USED DIRECTLY OR  
INDIRECTLY IN ANY WAY DETERMINAL TO THE  
INTEREST OF THE COMPANY.

इस दस्तावेज़ में कोई भी सूचना भारत हेवी इलेक्ट्रिकल्स लिमिटेड की  
संपत्ति है। इसका प्रत्यक्ष या अप्रत्यक्ष रूप में किसी भी तरह  
प्रयोग नहीं किया जाना जो कंपनी के हित में होना चाहिए।

संशोधन और दिनांक/सह/दिनांक/सह/दिनांक/सह  
संशोधन और दिनांक/सह/दिनांक/सह/दिनांक/सह  
संशोधन और दिनांक/सह/दिनांक/सह/दिनांक/सह  
संशोधन और दिनांक/सह/दिनांक/सह/दिनांक/सह

असह्य विमाओं का वर्ग GRADE OF UNTOLERANCED DIMENSION		सी.बी.ओ.एम./C.B.O.M. 11604570013		अंशकृत का भार STATUS OF DRG.		उत्पाद का प्रकार या ग्राहक/परियोजना का नाम TYPE OF PRODUCT OR NAME OF CUSTOMER/PROJECT				660 MW LALITPUR					
मशीनिंग - एए0230208 एम MACHINING - AA0230208 m		नाम/NAME		दिनांक/DATE		भारत हेवी इलेक्ट्रिकल्स लिमिटेड, रानीपुर, हरिद्वार BHARAT HEAVY ELECTRICALS LIMITED, RANIPUR, HARDWAR				नाम/NAME		हस्ताक्षर/SIGN		दिनांक/DATE	
वेल्डिंग - एए0621104 की श्रेणी बी WELDING - CLASS 'B' OF AA0621104		वेल्डिंग टेक्नो.		ह.		—		—		AVINASH		sd/-		20.08.11	
गैस कटिंग - एए0621101 की श्रेणी 3 GAS CUTTING - TABLE 3 OF AA0621101		—		—		—		—		SAUMYA		sd/-		20.08.11	
संशोधन REV.		दिनांक DATE		संशोधन REV.		दिनांक DATE		संशोधन REV.		दिनांक DATE		संशोधन REV.		दिनांक DATE	
विभाग DEPTT.		हैट एक्सचेंजर ऑपि. HXE		कोड/कोड CODE		4222		अनुपात/SCALE 1:2		भार कि.गा. WEIGHT (KG)		असेम्बली अभिकल्प का संदर्भ REFER TO ASSLY. DRG.		नग क्रमांक ITEM NO.	
शीर्षक/TITLE STIFFENER		कार्ड कोड CODE		7		31604570264		22		23		24		24	
पृष्ठ संख्या/Sheets No.		01		पृष्ठों की संख्या/No. of Sheets		01									

A3 माइज़/A3 SIZE

PRODUCED BY AN AUTODESK EDUCATIONAL PRODUCT

PRODUCED BY AN AUTODESK EDUCATIONAL PRODUCT

PRODUCED BY AN AUTODESK EDUCATIONAL PRODUCT

प्रथम कोण प्रक्षेपण / FIRST ANGLE PROJECTION

सभी विमाएँ मिलिमीटर में हैं। / ALL DIMENSIONS ARE IN mm.

फॉर्म बी-38 (बी) / FORM 38 (B)

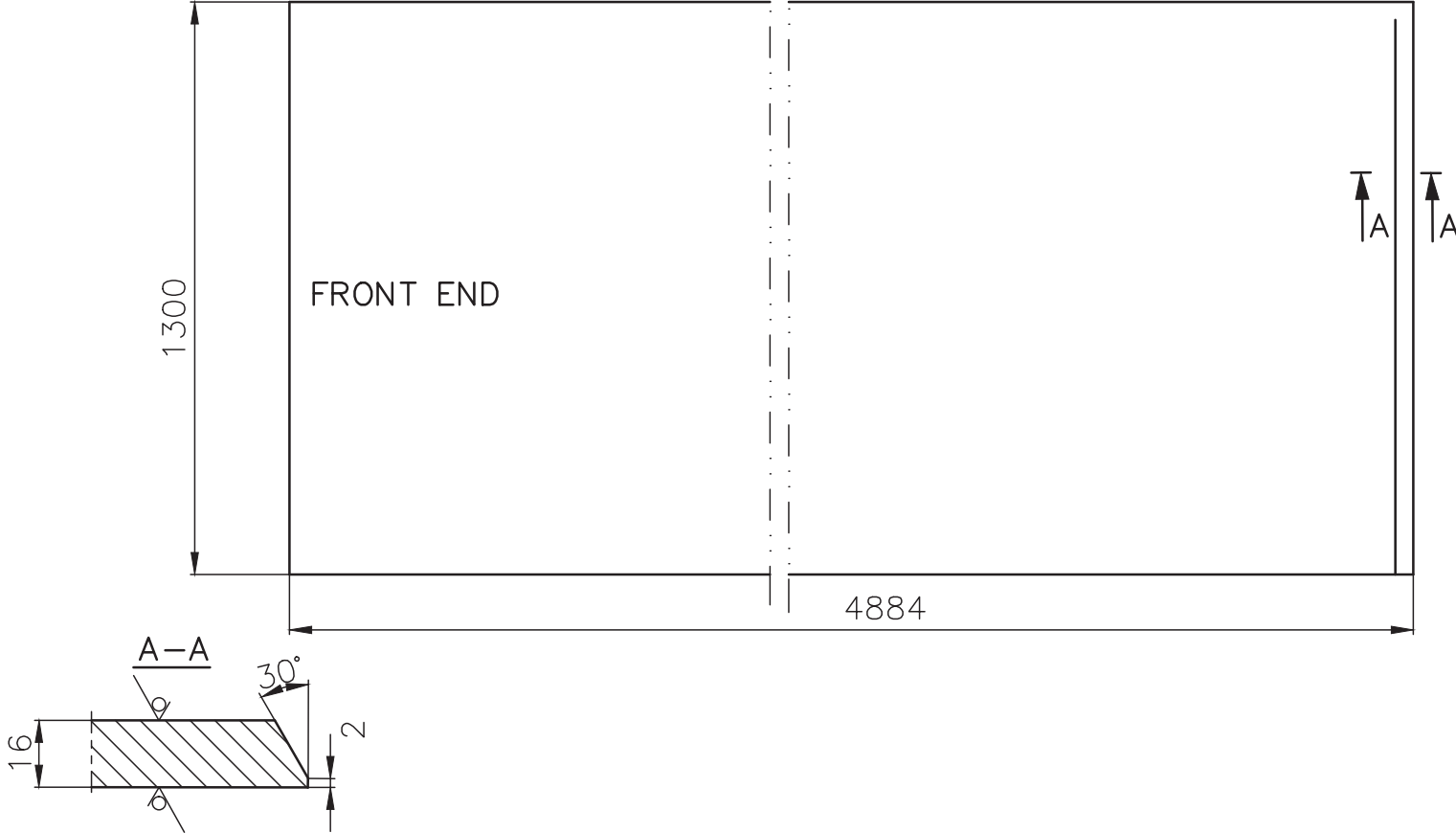
31604570265  
DRAWING NO.

50 THE REST.

PRODUCED BY AN AUTODESK EDUCATIONAL PRODUCT  
COPYRIGHT AND CONFIDENTIAL  
THE INFORMATION ON THIS DOCUMENT IS THE  
PROPERTY OF BHARAT HEAVY ELECTRICALS  
LIMITED. IT MUST NOT BE USED DIRECTLY OR  
INDIRECTLY IN ANY WAY DETERIMENTAL TO THE  
INTEREST OF THE COMPANY.

इस दस्तावेज़ में कोई भी सूचना भारत हेवी इलेक्ट्रिकल्स लिमिटेड की  
संपत्ति है। इसका प्रत्यक्ष या अप्रत्यक्ष रूप में किसी भी तरह  
प्रयोग नहीं किया जाना जो कंपनी के हित में हानिकारक हो।

PRODUCED BY AN AUTODESK EDUCATIONAL PRODUCT



संशोधन और दिनांक / SIGN & DATE  
संदर्भित आधिकारिक संख्या / REFERENCE DRG. NO.  
सामग्री भंडारण संख्या / INVENTORY NO.

असह्य विमाओं का वर्ग GRADE OF UNTOLERANCED DIMENSION		सी.बी.ओ.एम. / C.B.O.M. 11604570013		अनुमोदन का स्तर STATUS OF DRG.		उत्पाद का प्रकार या ग्राहक/परियोजना का नाम TYPE OF PRODUCT OR NAME OF CUSTOMER/PROJECT				660 MW LALITPUR					
मशीनिंग - एए0230208 एम MACHINING - AA0230208 m		सहमत विभाग AGREED DEPTT.		नाम/नाम NAME/SIGN.		दिनांक/DATE		विभाग DEPTT.				भारत हेवी इलेक्ट्रिकल्स लिमिटेड, रानीपुर, हरिद्वार BHARAT HEAVY ELECTRICALS LIMITED, RANIPUR, HARDWAR			
वैल्डिंग - एए0621104 की श्रेणी बी WELDING - CLASS 'B' OF AA0621104		वैल्डिंग टेक्नी.		ह.		-		अनुपात/SCALE		भार कि.गा. WEIGHT (KG)		असह्य विमाओं अभिकल्प का संदर्भ REFER TO ASSLY. DRG.		नग क्रमांक ITEM NO.	
गैस कटिंग - एए0621101 की श्रेणी 3 GAS CUTTING - TABLE 3 OF AA0621101		संशोधन REV.		दिनांक DATE		संशोधनकर्ता ALTERED BY		1:10		797.46		11604570013		26	
		संशोधन REV.		दिनांक DATE		संशोधनकर्ता ALTERED BY		शीर्षक/TITLE		कार्ड कोड CARD CODE		अभिकल्प संख्या/DRAWING NO.		7 31604570265 22 23 24	
												पृष्ठ संख्या/Sheets No. 01		पृष्ठों की संख्या/No. of Sheets 01	

A3 साइज़/A3 SIZE

PRODUCED BY AN AUTODESK EDUCATIONAL PRODUCT

PRODUCED BY AN AUTODESK EDUCATIONAL PRODUCT

प्रथम कोण प्रक्षेपण/FIRST ANGLE PROJECTION

सभी विमाएँ मिलीमीटर में हैं।/ALL DIMENSIONS ARE IN mm.

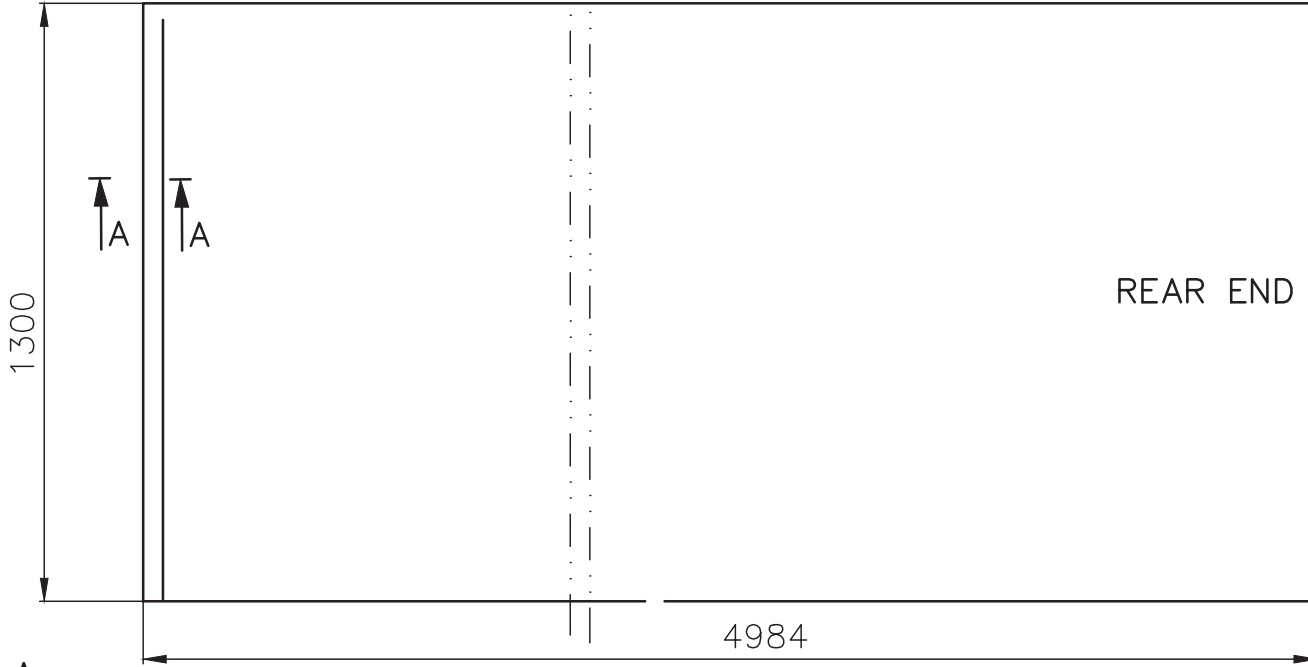
फ़ॉर्म शीट नं 38 (बी)/FORM 38 (B)

31604570269  
DRAWING NO.

50 THE REST.

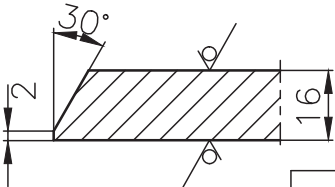
PRODUCED BY AN AUTODESK EDUCATIONAL PRODUCT  
COPYRIGHT AND CONFIDENTIAL  
THE INFORMATION ON THIS DOCUMENT IS THE  
PROPERTY OF BHARAT HEAVY ELECTRICALS  
LIMITED. IT MUST NOT BE USED DIRECTLY OR  
INDIRECTLY IN ANY WAY DETERIMENTAL TO THE  
INTEREST OF THE COMPANY.

इस दस्तावेज़ में कोई भी सूचना भारत हेवी इलेक्ट्रिकल्स लिमिटेड की  
संपत्ति है। इसका प्रत्यक्ष या अप्रत्यक्ष रूप में किसी भी तरह  
प्रयोग नहीं किया जाना जो कंपनी के हित में हानिकारक हो।



REAR END

A-A



संशोधन और दिनांक/REV. DATE	संदर्भित आधिकारिक संख्या/REFERENCE DRG. NO.
सामग्री सूची संख्या/INVENTORY NO.	

असह्य विमाओं का वर्ग/GRADE OF UNTOLERANCED DIMENSION		सो.वो.ओ.एम./C.B.O.M.	अंशकृत का नंबर/STATUS OF DRG.	उत्पाद का प्रकार या ग्राहक/परियोजना का नाम/TYPE OF PRODUCT OR NAME OF CUSTOMER/PROJECT		660 MW LALITPUR					
मशीनिंग - एए0230208 एम/MACHINING - AA0230208 m		सहमत विभाग/AGREED DEPTT.	नाम/NAME	हस्ताक्षर/SIGN.	दिनांक/DATE						
वेल्डिंग - एए0621104 को श्रेणी बी/WELDING - CLASS 'B' OF AA0621104		वेल्डिंग टेक्नी.		ह.	-						
गैस कटिंग - एए0621101 को सारणी 3/GAS CUTTING - TABLE 3 OF AA0621101											
संशोधन/REV.	दिनांक/DATE	संशोधक/ALTERED BY	संशोधक/ALTERED BY	विभाग/DEPTT.	हैट एक्सचेंजर ऑपि./HXE	अनुपात/SCALE	भार कि.गा./WEIGHT (KG)	असेम्बली अभिकल्प का संदर्भ/REFER TO ASSLY. DRG.	भाग क्रमांक/ITEM NO.	मूल संख्या/NO. OF SHEETS	
				कोड/4222		1:10	813.79	11604570013	26		
शीर्षक/TITLE							कार्ड कोड/CARD CODE	अभिकल्प संख्या/DRAWING NO.			
PARTITION PLATE-II							7	31604570269		22 23 24	
							पृष्ठ संख्या/Sheets No.	01		पृष्ठों की संख्या/No. of Sheets	01

A3 माइज़/A3 SIZE

FIRST ANGLE PROJECTION

(ALL DIMENSIONS ARE IN mm)

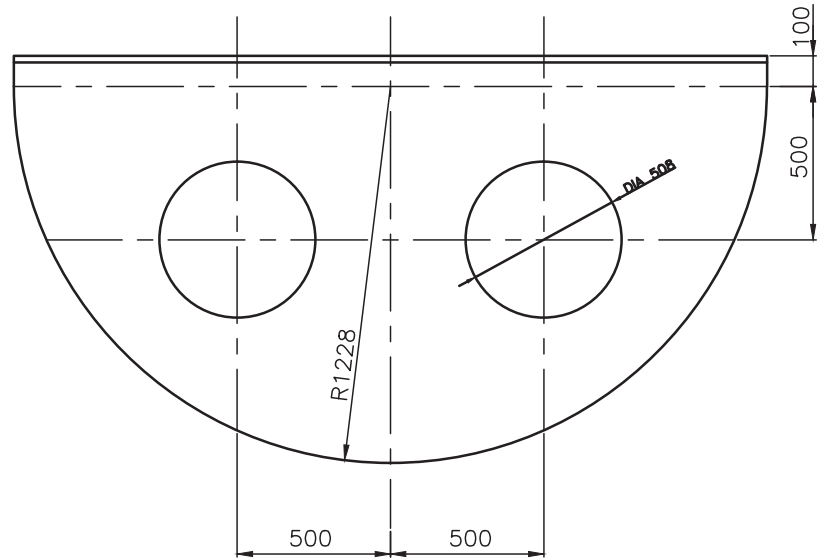
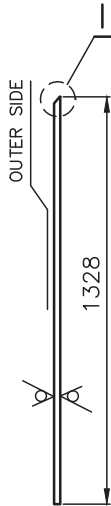
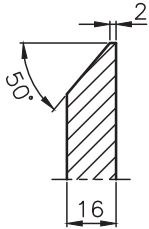
FORM: DG-38(B)

DRAWING NO. 31601470271

50° THE REST.

COPYRIGHT AND CONFIDENTIAL  
 THE INFORMATION ON THIS DOCUMENT IS THE PROPERTY OF  
**BHARAT HEAVY ELECTRICALS LIMITED** . IT MUST NOT BE USED DIRECTLY  
 OR INDIRECTLY IN ANY WAY DETRIMENTAL TO THE INTEREST OF THE COMPANY.

DETAIL-I



INVENTORY NO.	SIGN & DATE	REF. DRG NO.	CBOM NO. 11604570016		STATUS OF DRG.	TYPE OF PRODUCT OR NAME OF CUSTOMER/ PROJECT				800 MW YERAMARUS					
			AGREED DEPT.	NAME		SIGN	DATE	BHARAT HEAVY ELECTRICALS LTD. HARDWAR							
GRADE OF UNTOL. DIM.:-			WT	-	sd.	-	DEPT. HXE		SCALE	WEIGHT(Kg.)	NAME		SIGN	DATE	NO.OF VAR.
M/CG- V/C/M/F AA 0230208						CODE 4222		1:20			277.45	DRN		AVINASH	
WELDING-A/B/C/D-AA621104						TITLE			1:20	277.45		CHD		SAUMYA	Sd.
GAS CUTTING-T3'AA0621101						END PLATE-II		1:20			277.45	APD		SKANT	Sd.
REV.	DATE	ALTERED CHECKED	REV.	DATE	ALTERED CHECKED	REF. TO ASSY. DRG.			11604570016			ITEM NO.		-	NO.OF ITEMS
						DRAWING NO.		1		3		71		22, 23, 24	
						SHEET NO. 01		NO.OF SHEETS 01							

SIZE A3

PRODUCED BY AN AUTODESK EDUCATIONAL PRODUCT

प्रथम कोण प्रक्षेपण/FIRST ANGLE PROJECTION

सभी विमाएँ मिलिमीटर में हैं।/ALL DIMENSIONS ARE IN mm.

पृष्ठ सं. 38 (बी)/FORM 38 (B)

31604570272  
DRAWING NO.

50/ ALL OVER EXCEPT OTHERWISE STATED

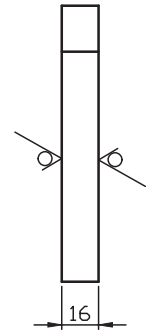
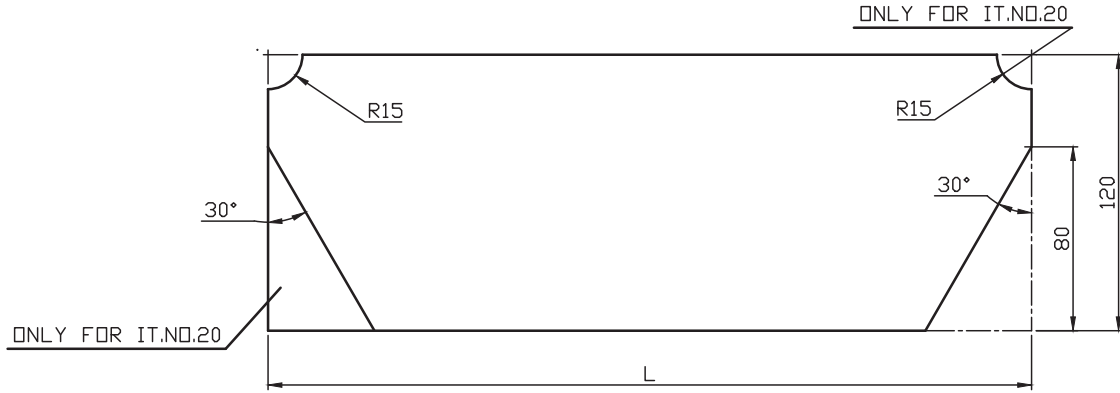


TABLE: -

VAR.	ITEM NO.	L	WT.(Kg)
00	18	356	4.9
01	19	335	4.5
02	20	246	3.2

PRODUCED BY AN AUTODESK EDUCATIONAL PRODUCT  
COPYRIGHT AND CONFIDENTIAL  
THE INFORMATION ON THIS DOCUMENT IS THE  
PROPERTY OF BHARAT HEAVY ELECTRICALS  
LIMITED. IT MUST NOT BE USED DIRECTLY OR  
INDIRECTLY IN ANY WAY DETERMINAL TO THE  
INTEREST OF THE COMPANY.

इस दस्तावेज़ में कोई भी सूचना भारत हेवी इलेक्ट्रिकल्स लिमिटेड की  
सम्पत्ति है। इसका प्रयोग या अप्रत्यक्ष रूप में किसी भी तरह  
प्रयोग नहीं किया जाना जो कंपनी के हित में होना चाहिए।

संशोधन और दिनांक/सिग्नेचर/DATE  
REFERENCE DRG. NO.

संशोधन और दिनांक/सिग्नेचर/DATE

संशोधन और दिनांक/सिग्नेचर/DATE  
INVENTORY NO.

असह्य विमाओं का वर्ग GRADE OF UNTOLERANCED DIMENSION		सी.बी.ओ.एम./C.B.O.M. 11604570016		अंशकृत का भार STATUS OF DRG.		उत्पाद का प्रकार या ग्राहक/परियोजना का नाम TYPE OF PRODUCT OR NAME OF CUSTOMER/PROJECT				800 MW YERAMARUS					
मशीनिंग - एए0230208 एम MACHINING - AA0230208 m		सह्य विमा AGREED DEPTT.		नाम/NAME		हस्ताक्षर/ SIGN.		दिनांक/DATE							
वैल्डिंग - एए0621104 की श्रेणी बी WELDING - CLASS 'B' OF AA0621104		वैल्डिंग टेक्नो.		ह.		-		-							
गैस कटिंग - एए0621101 की श्रेणी 3 GAS CUTTING - TABLE 3 OF AA0621101															
संशोधन REV.	दिनांक DATE	संशोधक ALTERED BY	संशोधक CHKD	संशोधन REV.	दिनांक DATE	संशोधक ALTERED BY	संशोधक CHKD	विभाग DEPTT.	हैट एक्सचेंजर ऑपि. HXE	अनुपात/SCALE 1:2	भार कि.गा. WEIGHT (KG) SEE TABLE	असेम्बली अभिकल्प का संदर्भ REFER TO ASSLY. DRG. 11604570016	संशोधन ITEM NO. SEE TABLE	संशोधन NO. OF ITEMS	
शीर्षक/TITLE <b>STIFFENER</b>								कार्ड कोड CODE 7	अभिकल्प संख्या/DRAWING NO. <b>31604570272</b>				22	23	24
								पृष्ठ संख्या/Sheets No.	01	पृष्ठों की संख्या/No. of Sheets	01				

A3 माइज़/A3 SIZE

PRODUCED BY AN AUTODESK EDUCATIONAL PRODUCT

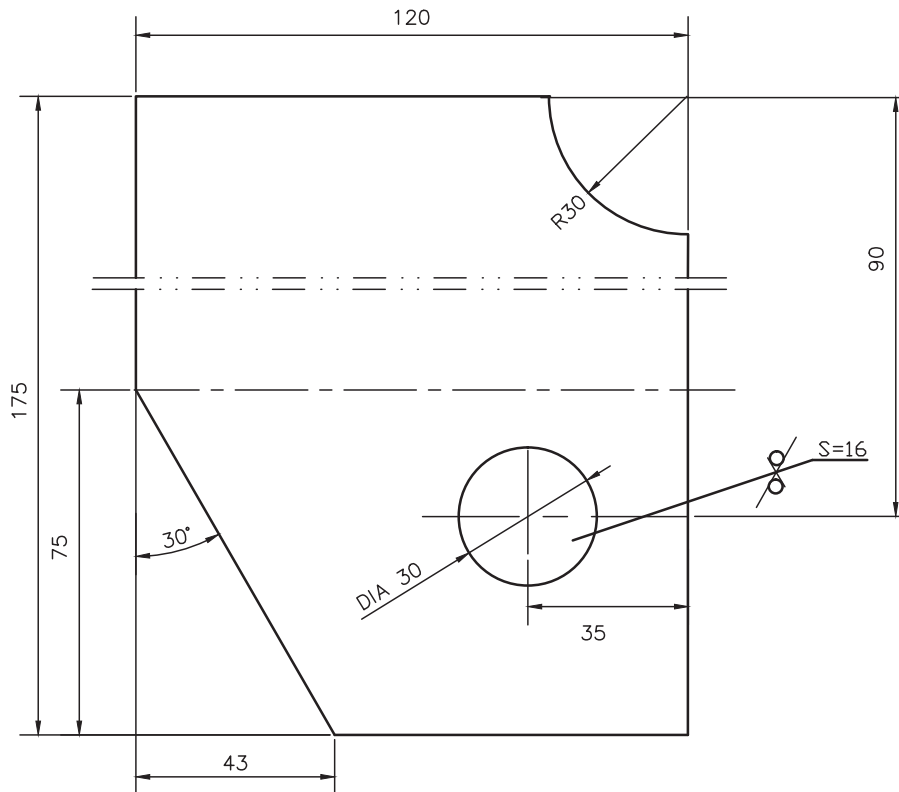
प्रथम कोण प्रक्षेपण / FIRST ANGLE PROJECTION

सभी विमाएँ मिलिमीटर में हैं। / ALL DIMENSIONS ARE IN mm.

पृष्ठ सं. 38 (बी) / FORM 38 (B)

31604570278  
DRAWING NO.

50° THE REST.



PRODUCED BY AN AUTODESK EDUCATIONAL PRODUCT  
COPYRIGHT AND CONFIDENTIAL  
THE INFORMATION ON THIS DOCUMENT IS THE  
PROPERTY OF BHARAT HEAVY ELECTRICALS  
LIMITED. IT MUST NOT BE USED DIRECTLY OR  
INDIRECTLY IN ANY WAY DETERIMENTAL TO THE  
INTEREST OF THE COMPANY.

इस दस्तावेज़ में दी गई सूचना भारत हेवी इलेक्ट्रिकल्स लिमिटेड की  
संपत्ति है। इसका प्रत्यक्ष या अप्रत्यक्ष रूप में किसी भी तरह  
प्रयोग नहीं किया जाना जो कंपनी के हित में हानिकारक हो।

संशोधन और दिनांक/सह. संख्या  
REFERENCE DRG. NO.

संशोधन और दिनांक/सह. संख्या  
DATE

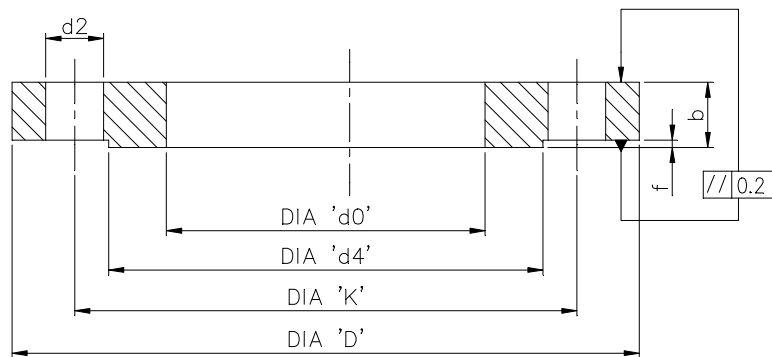
संशोधन और दिनांक/सह. संख्या  
INVENTORY NO.

असह्य विमाओं का वर्ग GRADE OF UNTOLERANCED DIMENSION		सी.बी.ओ.एम./C.B.O.M. 11604570019		अंतिमकरण का स्तर STATUS OF DRG.		उत्पाद का प्रकार या ग्राहक/परियोजना का नाम TYPE OF PRODUCT OR NAME OF CUSTOMER/PROJECT				660 MW ENNORE						
मशीनिंग - एए0230208 एम MACHINING - AA0230208 m		सहमत विभाग AGREED DEPTT.	नाम/NAME	हस्ताक्षर/ SIGN.	दिनांक/DATE	भारत हेवी इलेक्ट्रिकल्स लिमिटेड, रानीपुर, हरिद्वार BHARAT HEAVY ELECTRICALS LIMITED, RANIPUR, HARDWAR				नाम/NAME	हस्ताक्षर/SIGN	दिनांक/DATE	कॉम्प्यूटर संख्या No. of Var.			
वैल्डिंग - एए0621104 की श्रेणी बी WELDING-CLASS 'B' OF AA0621104		वैल्डिंग टेक्नी.		ह.	-					नाम/NAME	हस्ताक्षर/SIGN	दिनांक/DATE	कॉम्प्यूटर संख्या No. of Var.			
गैस कटिंग - एए0621101 की श्रेणी 3 GAS CUTTING-TABLE 3 OF AA0621101										नाम/NAME	हस्ताक्षर/SIGN	दिनांक/DATE	कॉम्प्यूटर संख्या No. of Var.			
संशोधन REV.	दिनांक DATE	संशोधक/ALTERED BY	संशोधन संख्या CHK	संशोधन REV.	दिनांक DATE	संशोधक/ALTERED BY	संशोधन संख्या CHK	विभाग DEPTT.	हैट एक्सचेंजर ऑपे. HXE	कोड/कोड CODE 4222	अनुपात/SCALE 1:1	भार कि.गा. WEIGHT (KG) 2.26	असह्य विमाओं अभिकल्प का संदर्भ REFER TO ASSLY. DRG. 11604570019	संशोधन क्रमांक ITEM NO. 22	संशोधन संख्या SEE TABLE	संशोधन संख्या NO. OF ITEMS
								शीर्षक/TITLE <b>STIFFENER</b>		कार्ड कोड CARD CODE 7	अभिकल्प संख्या/DRAWING NO. <b>31604570278</b>		22	23	24	
										पृष्ठ संख्या/Sheets No.	01	पृष्ठों की संख्या/No. of Sheets	01			

A3 साइज़/A3 SIZE

DRAWING NO. 31650170184

12.5/  
▽ ALL OVER



VAR	NOM SIZE	FLANGED DIMENSIONS								BOLTING DETAILS				CODE NO./SPCN.	WT.	
		d0		D		b		RAISED FACE		BOLT SIZE	HOLES		P.C.D K			
		NOM	TOL	NOM	TOL	NOM	TOL	d4 NOM	TOL		f	NO.				d2
01	10	17.7		75		12		35		2	M10	4	11	50	AA1011819139	0.31
02	15	21.8		80		12		40		2	M10	4	11	55	AA1011819139	0.35
03	20	27.4		90	±1	14		50		2	M10	4	11	65	AA1011819155	0.53
04	25	34.2		100		14		60		2	M10	4	11	75	AA1011819155	0.65
05	32	42.9	+0.5 +0.0	120		16		70	+0.0 -1.0	2	M12	4	14	90	AA1011819155	1.05
06	40	48.8		130		16		80			M12	4	14	100	AA1011819155	1.18
07	50	60.8		140		16		90		3	M12	4	14	110	AA1011819155	1.25
08	65	76.6		160		16		110			M12	4	14	130	AA1011819155	1.63
09	80	89.9		190		18		120		3	M16	4	18	150	AA1011819163	2.63
10	100	115.3		210		18		148			M16	4	18	170	AA1011819163	2.93
11	125	140.7		240	±1.5	20		178		3	M16	8	18	200	AA1011819163	3.91
12	150	169.3		265		20		202			M16	8	18	225	AA1011819163	4.31
13	200	221.1	+1.0 +0.0	320		22	+3 -0	258	+0.0 -2.0	3	M16	8	18	280	AA1011819171	6.29
14	250	275		375		24		312		3	M16	12	18	335	AA1011819171	8.31
15	300	325.9		440	±2	24		365		4	M20	12	22	395	AA1011819171	10.7
16	350	357.6		493		26		415		4	M20	12	22	445	AA1011819180	15.9
17	400	408.4		540		28		465		4	M20	16	22	495	AA1011819180	25.0
18	500	510.0	+1.5 +0.0	645		30		570	+0.0 -3.0	4	M20	20	22	600	AA1011819198	32.4
19	600	612.6		755		32		670		5	M24	20	26	705	AA1011819198	40.9

COPYRIGHT AND CONFIDENTIAL  
 THE INFORMATION ON THIS DOCUMENT IS THE PROPERTY OF  
 BHARAT HEAVY ELECTRICALS LIMITED . IT MUST NOT BE USED DIRECTLY  
 OR INDIRECTLY IN ANY WAY DETRIMENTAL TO THE INTEREST OF THE COMPANY.

INVENTORY NO. SIGN & DATE REF. DRG NO.

GRADE OF UNTOL. DIM.: -		CBOM NO. 81650170016		STATUS OF DRG.		TYPE OF PRODUCT OR NAME OF CUSTOMER/ PROJECT													
M/CG- V/C/M/F AA 0230208		AGREED DEPT.		NAME		SIGN		DATE		DRN		NAME		SIGN		DATE		NO.OF VAR.	
WELDING-A/B/C/D-AA621104		W.T.		I.RAM		SD/-		26.2.94		CHD		S.K.B.		Sd.		16.02.94		73, 74	
GAS CUTTING-'T3'AA0621101		REV.		DATE		ALTERED		ANIL		APD		K.N.M.		Sd.		12.03.94		75, 77	
REV. DATE		22.09.11		CHECKED		SAUMYA		HXE-11-F0179		DEPT. HXE		SCALE		WEIGHT(Kg.)		REF. TO ASSY. DRG.		ITEM NO.	
								NEW ACAD DRG. SUPERSEDES OLD TRACING DRG.		CODE 4222		NTS		SEE BOM		-		-	
										TITLE		PLT FLANGE		DRAWING NO.		31650170184		01	
														SHEET NO. 01		NO.OF SHEETS 01			

THE INFORMATION ON THIS DOCUMENT IS THE PROPERTY OF  
**BHARAT HEAVY ELECTRICALS LIMITED** . IT MUST NOT BE USED DIRECTLY  
 OR INDIRECTLY IN ANY WAY DETRIMENTAL TO THE INTEREST OF THE COMPANY.

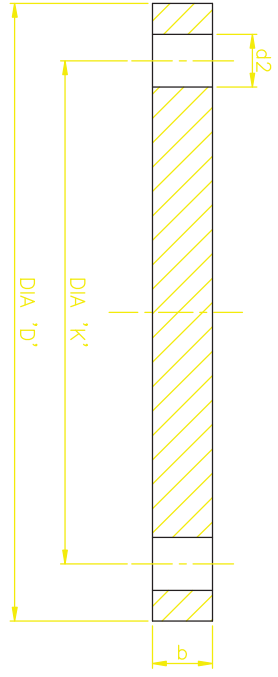
COPYRIGHT AND CONFIDENTIAL

81650170185  
 DRAWING

FIRST ANGLE PROJECTION

(ALL DIMENSIONS ARE IN mm)

FORM: DG-38(B)



VAR	NDM SIZE	FLANGED DIMENSIONS				BOLTING DETAILS		P.C.D K	CODE ND./ SPCN	WT.	
		D	TOL	b	TOL	BOLT SIZE	HOLE SIZE				
01	10	75	±1	12	±2	M10	4	11	50	AA1011819139//AA10119	0.38
02	15	80	±1.5	12	±2	M10	4	11	55	AA1011819139//AA10119	0.44
03	20	90	±1.5	14	±2	M10	4	11	65	AA1011819155//AA10119	0.65
04	25	100	±1.5	14	±2	M10	4	11	75	AA1011819155//AA10119	0.82
05	32	120	±1.5	14	±2	M12	4	14	90	AA1011819155//AA10119	1.17
06	40	130	±1.5	14	±2	M12	4	14	100	AA1011819155//AA10119	1.39
07	50	140	±1.5	14	±2	M12	4	14	110	AA1011819155//AA10119	1.62
08	65	160	±1.5	14	±2	M12	4	14	130	AA1011819155//AA10119	2.44
09	80	190	±1.5	16	±2	M16	4	18	150	AA1011819155//AA10119	3.43
10	100	210	±1.5	16	±2	M16	4	18	170	AA1011819155//AA10119	4.76
11	125	240	±1.5	18	±2	M16	8	18	200	AA1011819163//AA10119	6.11
00	150	265	±1.5	18	±2	M16	8	18	225	AA1011819163//AA10119	7.51
13	175	295	±1.5	20	±2	M16	8	18	255	AA1011819163//AA10119	10.40
14	200	320	±1.5	20	±2	M16	8	18	280	AA1011819163//AA10119	12.30
01	250	375	±1.5	22	±2	M16	12	18	335	AA1011819171//AA10119	18.30
16	300	440	±1.5	22	±2	M20	12	22	395	AA1011819171//AA10119	25.30
17	350	493	±1.5	22	±2	M20	12	22	455	AA1011819171//AA10119	31.60
18	400	540	±1.5	22	±2	M20	16	22	495	AA1011819171//AA10119	38.40
19	500	645	±1.5	24	±2	M20	20	22	600	AA1011819171//AA10119	60.40

12.5/  
 ALL OVER

INVENTORY NO.	SIGN & DATE	REF. DRG NO.
---------------	-------------	--------------

GRADE OF UNTOL. DIM.:-	M/CG - V/C/M/F AA 0230208
WELDING-A/B/C/D-AA621104	
GAS CUTTING-T3AA0621101	
REV / DATE	ALTERED / CHECKED
01 / 22.09.11	CHEKED SAUMYA
HXE-11-F0179	

CBOM NO.	81650170016	STATUS OF DRG.	
AGREED DEPT.	NAME	SIGN	DATE
W.I.	I.RAM	SD/-	26.02.94
REV / DATE	ALTERED / CHECKED	ANIL	
01 / 22.09.11	CHEKED SAUMYA		
HXE-11-F0179			
NEW ACAD DRG. SUPERSEDES OLD TRACING DRG.			

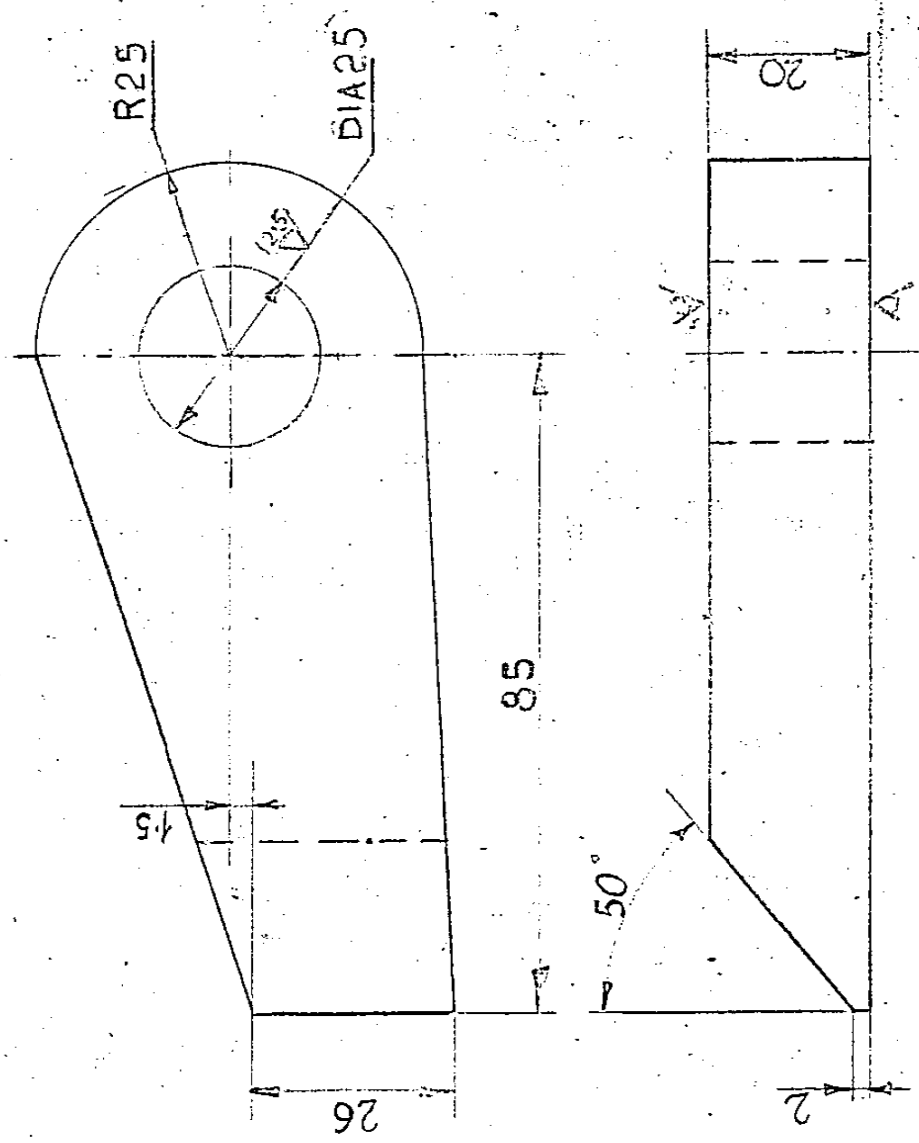
TYPE OF PRODUCT OR NAME OF CUSTOMER/ PROJECT		BHARAT HEAVY ELECTRICALS LTD. HARDWAR	
DEPT.	HXE	SCALE	NTS
CODE	4222	WEIGHT(Kg.)	SEE BOM
TITLE	BLANK FLANGE		
DRAWING NO.	31650170185		
SHEET NO.	01	NO.OF SHEETS	01
DRN GARG RK	SD.	DATE	NO.OF VAR.
CHD S.K.B.	SD.	16.02.94	
APD K.N.M.	SD.	12.03.94	75, 74
REF. TO ASSY. DRG.			ITEM NO. OF ITEMS
			75, 77

SIZE A3

The information on this document is the property of BHARAT HEAVY ELECTRICALS LIMITED. It must not be used directly or indirectly in anyway detrimental to the interest of the company.

CHECKED	CHECKED	AGREE TO DEPT	NAME	SSN	DATE
		11/7	GARG		11/8

50% ALLOWER



QTY	NO OF TAKING	UNIT OF QTY	DESCRIPTION	ITEM NO	DRAWING NO.	ITEM NO	UNIT	QTY
			LUG			00		0.318
						AA 10119		

REF. DRG. NO. 11/8



# BHARAT HEAVY ELECTRICALS LTD.

## RANIPUR - HARDWAR.

DEPT	CODE	SCALE	WEIGHT (KG)	REF. TO ASSY. DRG.	ITEM NO.
HXE	4222	1:1		2-160-15-70001	003
SIGN & DATE			DATE		
SIGNATURE			DATE		
DRAWN			SIGNATURE		
CHECKED			SIGNATURE		
APPROVED			SIGNATURE		

LUG

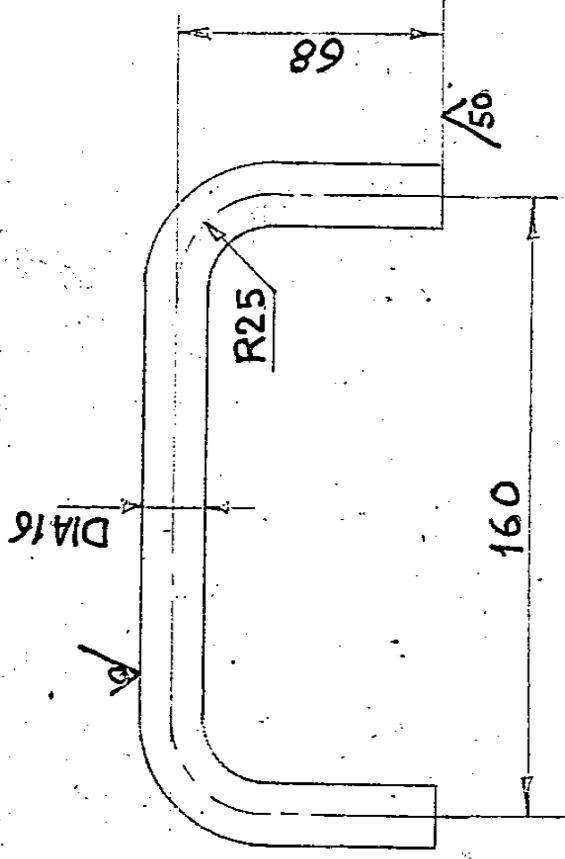
Dimensions to be Controlled Within Limits as Shown  
Machining Tolerance  $\pm$  .25 mm Unless Otherwise Specified

DRAWING NO. 1-160-15-70001



The information on this document is the property of BHARAT HEAVY ELECTRICALS LIMITED. It must not be used directly or indirectly in anyway detrimental to the interest of the company.

01/16/97  
 HXE-95-27  
 MATL CODE WAS AA1010212079  
 AA 10112  
 HXE-94-97  
 MATL CODE B  
 W.P.S. HW1010212051  
 AA10112



DEVELOPED LENGTH = 275

001		HANDLE	001		AA1010209086	0.44
6664	6263	5231	2518	2022	5058	596465
QTY	NO	UNIT OF	ITEM	NO	MATERIAL CODE	UNIT WT
VAR	VAR	R.M UNIT	NO	5	51	74
QTY	QTY	QTY	QTY	QTY	MATERIAL SPEC	QTY
CARD TYPE 2						
CARD TYPE 1						



**BHARAT HEAVY ELECTRICALS LTD.**  
 RANIPUR - HARDWAR.

DEPT HXE  
 CODE 043  
 SCALE 1:2  
 WEIGHT (KG) 0.44  
 REF. TO ASSY. DRG. 3-160-45-70006  
 ITEM NO. 002  
 SIGN & DATE  
 DRAWN NAME SIGN  
 CHECKED NAME SIGN  
 APPROVED NAME SIGN  
 DATE 6.8.79  
 DRAWING NO. 4-160-45-70004

Dimensions to be Controlled Within Limits as Shown  
 Machining Tolerance  $\pm .25$  mm Unless Otherwise

HANDLE



PRODUCED BY AN AUTODESK EDUCATIONAL PRODUCT

PRODUCED BY AN AUTODESK EDUCATIONAL PRODUCT

FIRST ANGLE PROJECTION (ALL DIMENSIONS ARE IN mm) FORM DG 39(B)

REV	DATE	ALTERED	REV	DATE	ALTERED	CBOM No. 11604570013		STATUS OF DRG	
		CHECKED			CHECKED	AGREED DEPT.	NAME	SIGN	DATE

GRADE OF UNTOL.DIM.M/CGC/M/F.AA0230208 WELDING A/B/C/D AA0621104 GAS CUTTING-T3 AA0621101

$50 \sqrt{\text{THE REST}}$

WELD DEPOSIT METAL (E-7018)=1.0 Kg.

SIGN & DATE	REF.DRG.No.	<b>BHARAT HEAVY ELECTRICALS LTD HARDWAR</b>	NAME	SIGN	DATE	NO. OF VAR	
			DRN	ANIL	Sd.		23.08.11
			CHD	SAUMYA	Sd.		23.08.11
			APD	S.KANT	Sd.	23.08.11	

DEPT.		SCALE	WEIGHT(Kg)	REF.TO ASSY.DRG.	ITEM No.	No OF ITEMS
CODE		1:10	83.5	11604570016	11	
TITLE				DRAWING No.		
<b>NOZZLE</b>				<b>41604570123</b>		
SHEET No. 01			No.OF SHEETS		01	

SIZE A4

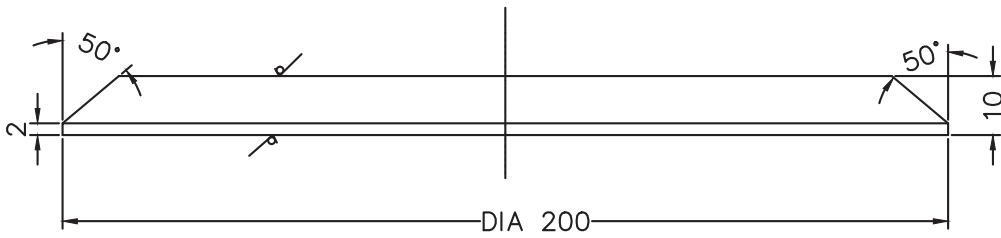
FIRST ANGLE PROJECTION



(ALL DIMENSIONS ARE IN mm) FORM DG 39(B)

REV	DATE	ALTERED	REV	DATE	ALTERED	CBOM No. 01601670064		STATUS OF DRG
		CHECKED			CHECKED	APPROVED DEPT.	NAME	SIGN
						WT.	TSC.	Sd.
								16/02/09

GRADE OF UNTOL.DIM-M/CCC/M/F.AA0230208 WELDING A/B/C/D AA0621104 GAS CUTTING-T3 AA0621101

COPYRIGHT AND CONFIDENTIAL  
 THE INFORMATION ON THIS DOCUMENT IS THE PROPERTY OF BHARAT HEAVY  
 ELECTRICALS LIMITED. IT MUST NOT BE USED DIRECTLY OR INDIRECTLY IN  
 ANY WAY DETRIMENTAL TO THE INTEREST OF THE COMPANY.



SIGN & DATE	REF.DRG.No.	 <b>BHARAT HEAVY ELECTRICALS LTD</b> <b>HARDWAR</b>		DRN	AXAY KR.	Sd.	11.01.2010	NO. OF VAR
		CHD	AXAY KR.	Sd.	11.01.2010			
APD	S.K.B	Sd.	11.01.2010					
INVENTORY No.	DEPT. HXE	 SCALE N.T.S	WEIGHT(kg)	REF.TO ASSY.DRG.		ITEM No.	No OF ITEMS	
	CODE 4222		2.4	31601670547				
	TITLE PLATE			DRAWING No. 41605170117				
			SHEET No. 01		No.OF SHEETS 01			

SIZE A4