



**Basic Details**

|   |  |  |        |
|---|--|--|--------|
| <b>Organisation Chain</b>                   | Bharat Heavy Electricals Limited  HEP - Bhopal  Transformer Capacitor Bushings         |  |        |
| <b>Tender Reference Number</b>              | FRAMEWORK AGREEMENT RATE CONTRACT FOR PROCUREMENT OF TRANSFORMER OIL PUMPS (E7263018R) |  |        |
| <b>Tender ID</b>                            | 2026_BHEL_61089_1  | <b>Withdrawal Allowed</b>                    | Yes    |
| <b>Tender Type</b>                          | Open Tender  | <b>Form of contract</b>                      | Supply |
| <b>Tender Category</b>                      | Goods  | <b>No. of Covers</b>                         | 2      |
| <b>General Technical Evaluation Allowed</b> | No   | <b>ItemWise Technical Evaluation Allowed</b> | No     |
| <b>Payment Mode</b>                         | Not Applicable   | <b>Is Multi Currency Allowed For BOQ</b>     | No     |
| <b>Is Multi Currency Allowed For Fee</b>    | No   | <b>Allow Two Stage Bidding</b>               | No     |

**Cover Details, No. Of Covers - 2**

| Cover No | Cover                 | Document Type | Description           |
|----------|-----------------------|---------------|-----------------------|
| 1        | Fee/PreQual/Technical | .pdf          | TECHNO-COMMERCIAL BID |
| 2        | Finance               | .xls          | FINANCIAL (PRICE) BID |

**Tender Fee Details, [Total Fee in ₹ \* - 0.00]**

|                                     |      |                       |     |                       |     |
|-------------------------------------|------|-----------------------|-----|-----------------------|-----|
| <b>Tender Fee in ₹</b>              | 0.00 | <b>Fee Payable To</b> | Nil | <b>Fee Payable At</b> | Nil |
| <b>Tender Fee Exemption Allowed</b> | No   |                       |     |                       |     |

**EMD Fee Details**

|                        |       |                              |     |
|------------------------|-------|------------------------------|-----|
| <b>EMD Amount in ₹</b> | 0.00  | <b>EMD Exemption Allowed</b> | No  |
| <b>EMD Fee Type</b>    | fixed | <b>EMD Percentage</b>        | NA  |
| <b>EMD Payable To</b>  | Nil   | <b>EMD Payable At</b>        | Nil |

[Click to view modification history](#)

**Work /Item(s)**

|   |  |                                  |                            |                              |             |
|---|--|----------------------------------|----------------------------|------------------------------|-------------|
| <b>Title</b>                                | FRAMEWORK AGREEMENT RATE CONTRACT FOR PROCUREMENT OF TRANSFORMER OIL PUMPS (E7263018R) |                                  |                            |                              |             |
| <b>Work Description</b>                     | FRAMEWORK AGREEMENT RATE CONTRACT FOR PROCUREMENT OF TRANSFORMER OIL PUMPS (E7263018R) |                                  |                            |                              |             |
| <b>Pre Qualification Details</b>            | Please refer Tender documents.   |                                  |                            |                              |             |
| <b>Independent External Monitor/Remarks</b> | NA   |                                  |                            |                              |             |
| <b>Show Tender Value in Public Domain</b>   | No   |                                  |                            |                              |             |
| <b>Tender Value in ₹</b>                    | 2,00,00,000  | <b>Product Category</b>          | Electrical Work/ Equipment | <b>Sub category</b>          | NA          |
| <b>Contract Type</b>                        | Rate Contract  | <b>Bid Validity(Days)</b>        | 120                        | <b>Period Of Work(Days)</b>  | 820         |
| <b>Location</b>                             | BHEL BHOHAL  | <b>Pincode</b>                   | 462022                     | <b>Pre Bid Meeting Place</b> | NA          |
| <b>Pre Bid Meeting Address</b>              | NA   | <b>Pre Bid Meeting Date</b>      | NA                         | <b>Bid Opening Place</b>     | BHEL BHOHAL |
| <b>Should Allow NDA Tender</b>              | No   | <b>Allow Preferential Bidder</b> | No                         |                              |             |

**Critical Dates**

|  |                      |  |                      |
|--|----------------------|--|----------------------|
| <b>Publish Date</b>                        | 11-May-2026 03:00 PM | <b>Bid Opening Date</b>                  | 21-May-2026 04:00 PM |
| <b>Document Download / Sale Start Date</b> | 11-May-2026 03:00 PM | <b>Document Download / Sale End Date</b> | 21-May-2026 03:00 PM |
| <b>Clarification Start Date</b>            | 11-May-2026 03:00 PM | <b>Clarification End Date</b>            | 20-May-2026 10:00 AM |
| <b>Bid Submission Start Date</b>           | 11-May-2026 03:00 PM | <b>Bid Submission End Date</b>           | 21-May-2026 03:00 PM |

**Tender Documents**

| NIT Document | S.No | Document Name | Description        | Document Size (in KB) |
|--------------|------|---------------|--------------------|-----------------------|
|              |      | 1             | Tendernotice_1.pdf | NIT DOCUMENTS         |

| Work Item Documents | S.No | Document Type | Document Name    | Description          | Document Size (in KB) |
|---------------------|------|---------------|------------------|----------------------|-----------------------|
|                     |      | 1             | Tender Documents | NITR1.pdf            | NIT                   |
|                     | 2    | BOQ           | BOQ_66148.xls    | PRICE SCHEDULE (BOQ) | 247.00                |

### **Bid Openers List**

| S.No | Bid Opener Login Id  | Bid Opener Name  | Certificate Name |
|------|----------------------|------------------|------------------|
| 1.   | ratna1@bhel.in       | RATNA RAKESH DAS | Ratna Mandal     |
| 2.   | vineet.yadav@bhel.in | VINEET YADAV     | Vineet Yadav     |
| 3.   | rk.raii@bhel.in      | Rajesh Kumar Rai | Rajesh Kumar Rai |

### **GeMARPTS Details**

|                            |   |
|----------------------------|---|
| <b>GeMARPTS ID</b>         | GCJ0FRR1J5QQ  |
| <b>Description</b>         | TRANSFORMER OIL PUMPS HAVING PREMIUM EFFICIENCY CLASS IE3 MOTOR |
| <b>Report Initiated On</b> | 11-May-2026   |
| <b>Valid Until</b>         | 10-Jun-2026   |

### **Tender Properties**

|  |        |   |                       |
|--|--------|---|-----------------------|
| <b>Auto Tendering Process allowed</b>  | No     | <b>Show Technical bid status</b>                      | Yes                   |
| <b>Show Finance bid status</b>         | Yes    | <b>Stage to disclose Bid Details in Public Domain</b> | Technical Bid Opening |
| <b>BoQ Comparative Chart model</b>     | Normal | <b>BoQ Compative chart decimal places</b>             | 3                     |
| <b>BoQ Comparative Chart Rank Type</b> | L      | <b>Form Based BoQ</b>                                 | No                    |

### **TIA Undertaking**

| S.No | Undertaking to Order               | Tender complying with Order | Reason for non compliance of Order |
|------|------------------------------------|-----------------------------|------------------------------------|
| 1    | <a href="#">PPP-MII Order 2017</a> | Agree                       |                                    |
| 2    | <a href="#">MSEs Order 2012</a>    | Agree                       |                                    |

### **Tender Inviting Authority**

|                |                  |
|----------------|------------------|
| <b>Name</b>    | RAJESH KUMAR RAI |
| <b>Address</b> | BHEL BHOPAL      |

### **Tender Creator Details**

|                     |                      |
|---------------------|----------------------|
| <b>Created By</b>   | Rajesh Kumar Rai     |
| <b>Designation</b>  | Engineer             |
| <b>Created Date</b> | 11-May-2026 01:51 PM |

|   |   |   |                         |                                   |                           |                      |              |  |
|---|---|---|-------------------------|-----------------------------------|---------------------------|----------------------|--------------|--|
| <br>ENQUIRY<br>TWO PART BID<br>BP_200101<br>E-TENDER | <b>भारत हेवी इलेक्ट्रिकल्स लिमिटेड, पिपलानी, भोपाल- ४६२०२२ (भारत)</b><br><b>सामग्री प्रबंधन विभाग</b><br><b>BHARAT HEAVY ELECTRICALS LIMITED, PIPLANI, BHOPAL-462022 (INDIA)</b><br><b>MATERIALS MANAGEMENT DIVISION</b>  | ENQUIRY NO            E7263018R<br>ENQUIRY DATE        17/04/26<br>ENQUIRY DUE DATE    21/05/26 |                         |                                   |                           |                      |              |  |
|   | <table border="1" style="width:100%; border-collapse: collapse;"> <tr> <td style="width:33%;">TIN NO- 23573000001</td> <td style="width:33%;">ECC NO- AAACB4146PXM009</td> <td style="width:33%;">MPCT NO- HEL/05/01/0001/S15/11/79</td> </tr> <tr> <td>PHONE NO : 91-755-2500100</td> <td>FAX : 91-755-2500023</td> <td>www.bhel.com</td> </tr> </table> | TIN NO- 23573000001   | ECC NO- AAACB4146PXM009 | MPCT NO- HEL/05/01/0001/S15/11/79 | PHONE NO : 91-755-2500100 | FAX : 91-755-2500023 | www.bhel.com |  |
| TIN NO- 23573000001   | ECC NO- AAACB4146PXM009   | MPCT NO- HEL/05/01/0001/S15/11/79   |                         |                                   |                           |                      |              |  |
| PHONE NO : 91-755-2500100   | FAX : 91-755-2500023  | www.bhel.com  |                         |                                   |                           |                      |              |  |

**ENQUIRY**

| SUPP NAME AND ADDRESS | SUPP CODE                    | REV CD | REV NO | REV DATE                    | NO OF CATY2 | NO OF CATY3  | ENQ NO OF ITEMS | INDENT NO |
|-----------------------|------------------------------|--------|--------|-----------------------------|-------------|--|-----------------|-----------|
|                       | 0                            | 3      | 1      | 11/05/26                    | 3           | 3  | 3               | 120660005 |
|                       | <b>GUARANTEE CERTIFICATE</b> |        | Y      | <b>SUPPLY CONDITION</b>     |             | TO BE PACKED SUITABLY IN WEATHER PROOF PACKING.ITEM SHOULD NOT BE DAMAGED DURING TRANSPORT |                 |           |
|                       | <b>TEST CERTIFICATE</b>      |        | Y      | <b>TECHNICAL CONDITION</b>  |             | AS PER TR10277F REV-01. SPECIFICATION ENCLOSED   |                 |           |
|                       | <b>INSTRUCTION BOOKLET</b>   |        | N      | <b>INSPECTION CONDITION</b> |             | TPIA-QAP-QA PLAN NO.: QC/TCB/QAP-BO/01 REV 04  |                 |           |
|                       | <b>SAMPLE</b>                |        | N      |                             |             |  |                 |           |
|                       | <b>GATE PASS</b>             |        | Y      |                             |             |  |                 |           |

**NOTE: QUOTE PRICE BOTH IN FIGURES & WORDS.IN CASE OF MISMATCH PRICE IN WORDS WILL BE VALID,QUOTATIONS NOT BEARING ENQUIRY NO AND DUE DATE LIABLE TO BE REJECTED.**

| SL NO | MATERIAL CODE | DESC   | UNIT | ITEM QTY | QTY VR% | LOT NO | LOT QTY | DEST | DELIVERY DATE |
|-------|---------------|--|------|----------|---------|--------|---------|------|---------------|
| 1     | BP9046061710  | 2700 LPM TRANSFORMER OIL PUMPS HAVING PREMIUM EFFICIENCY CLASS IE3 MOTOR AS PER ITEM 007 OF SPECIFICATION TR10278P REV-01. | NO   | 120.000  | 25      | 1      | 120.000 | 206  | 20/07/28      |
| 2     | BP9046061728  | 1800 LPM TRANSFORMER OIL PUMPS HAVING PREMIUM EFFICIENCY CLASS IE3 MOTOR AS PER ITEM 008 OF SPECIFICATION TR10278P REV 01  | NO   | 300.000  | 25      | 1      | 300.000 | 206  | 20/07/28      |
| 3     | BP9046061736  | 4500 LPM TRANSFORMER OIL PUMPS HAVING PREMIUM EFFICIENCY CLASS IE3 MOTOR AS PER ITEM 009 OF SPECIFICATION TR10278P REV-01. | NO   | 40.000   | 25      | 1      | 40.000  | 206  | 20/07/28      |

**REMARK** 1)THIS IS A RATE CONTRACT ENQUIRY .DELIVERY DATE MENTIONED IN THE ENQUIRY SHEET IS TENTATIVE. MATERIAL WILL BE ORDERED AGAINST DIFFERENT PO'S AS PER SPECIFIC REQUIREMENT 2)COMMERCIAL TERMS & CONDITIONS SHOULD BE STRICTLY ACCORDING TO THEENCLOSED ANNEXURES WITH ENQUIRY . SUPPLIER NOT ADHERING TO THE T&C MENTIONED IN ANNEXURES ARE LIABLE FOR REJECTION.A SIGNEDCOPY OF ANNEXURES ISTO BEENCLOSED WITH OFFER 3) THIS REV IS ISSUED TO RE TENDER THE ENQUIRY

**DRAWING** N            **PURCH SPEC** Y            **CATALOUGE** N            **Quality Surveillance Pl:** N            **TWO PART BID** Y

**NOTE:**BHEL,BHOPAL'S Standard Terms & Conditions BP200102C/BP205316 for imports and BP200102C/ BP205316 for indigenous procurements form a part of this Enquiry. Bidders may obtain from us copies of these terms and conditions if not already available.

**Note:** During Bid Evaluation, No loading of price with regard to preferential payment of within 45 days will be made on vendore falling under MSMED ACT - OCT 06

|  |   |
|--|---|
| Please submit your lowest quotation in sealed envelop essentially superscribed with ENQUIRY NO, DUE DATE AND PARTY'S NAME so as to reach at TENDER ROOM, GROUND FLOOR, ADM BUILDING, BHEL, PIPLANI BHOPAL-462022 by 11.00 am of due date.  | <b>SPECIAL REMARK:</b> Bid to be submitted through e-procurement. Refer eproc link on BHEL Bhopal B2B site.   |
| 1.This is only a request for Quotation & not an order.<br>2.Small Scale industries should indicate SSI Regn. No. in Quotation/invoice.<br>3.In case you are not making an offer against this Enquiry, we request you to post a regret letter.<br>4.Indian vendors to please indicate GSTIN on their quotation. | Documents Enclosed<br>1.Drawing.      3.Purchase specification.<br>2.Catalogue.    4.Quality Surveillance Plan.   |
|  | <b>NAME :</b> SHRI RAJESH KUMAR RAI<br><b>DESG :</b> ENGINEER<br>0755-2503163<br>rk.rai@bhel.in<br><div style="text-align: right;"><b>SIGN &amp; SEAL</b></div> |

|  |   |   |                         |                                   |                           |  |                      |              |  |  |  |
|--|---|---|-------------------------|-----------------------------------|---------------------------|--|----------------------|--------------|--|--|--|
| <br><b>ENQUIRY</b><br>TWO PART BID<br>BP_200101<br>E-TENDER | <b>भारत हेवी इलेक्ट्रिकल्स लिमिटेड, पिपलानी, भोपाल- ४६२०२२ (भारत)</b><br><b>सामग्री प्रबंधन विभाग</b><br><b>BHARAT HEAVY ELECTRICALS LIMITED, PIPLANI, BHOPAL-462022 (INDIA)</b><br><b>MATERIALS MANAGEMENT DIVISION</b>  | ENQUIRY NO            E7263018R<br>ENQUIRY DATE        17/04/26<br>ENQUIRY DUE DATE    21/05/26 |                         |                                   |                           |  |                      |              |  |  |  |
|  | <table border="1" style="width:100%; border-collapse: collapse;"> <tr> <td style="width:33%;">TIN NO- 23573000001</td> <td style="width:33%;">ECC NO- AAACB4146PXM009</td> <td style="width:33%;">MPCT NO- HEL/05/01/0001/S15/11/79</td> </tr> <tr> <td colspan="2">PHONE NO : 91-755-2500100</td> <td>FAX : 91-755-2500023</td> </tr> <tr> <td colspan="3" style="text-align: right;">www.bhel.com</td> </tr> </table> | TIN NO- 23573000001   | ECC NO- AAACB4146PXM009 | MPCT NO- HEL/05/01/0001/S15/11/79 | PHONE NO : 91-755-2500100 |  | FAX : 91-755-2500023 | www.bhel.com |  |  |  |
| TIN NO- 23573000001  | ECC NO- AAACB4146PXM009   | MPCT NO- HEL/05/01/0001/S15/11/79   |                         |                                   |                           |  |                      |              |  |  |  |
| PHONE NO : 91-755-2500100  |   | FAX : 91-755-2500023  |                         |                                   |                           |  |                      |              |  |  |  |
| www.bhel.com   |   |   |                         |                                   |                           |  |                      |              |  |  |  |

**E  
N  
Q  
U  
I  
R  
Y**

| SUPP NAME AND ADDRESS | SUPP CODE                    | REV CD                      | REV NO                     | REV DATE                                      | NO OF CATY2  | NO OF CATY3 | ENQ NO OF ITEMS | INDENT NO |
|-----------------------|------------------------------|-----------------------------|----------------------------|---|--|-------------|-----------------|-----------|
| <b>OFFICE COPY</b>    |                              | 3                           | 1                          | 11/05/26                                      | 3  | 3           | 3               | 120660005 |
|                       | <b>GUARANTEE CERTIFICATE</b> | Y                           | <b>SUPPLY CONDITION</b>    |   | TO BE PACKED SUITABLY IN WEATHER PROOF P           |             |                 |           |
|                       | <b>TEST CERTIFICATE</b>      | Y                           |                            |   | ACKING.ITEM SHOULD NOT BE DAMAGED DURING TRANSPORT |             |                 |           |
|                       | <b>INSTRUCTION BOOKLET</b>   | N                           | <b>TECHNICAL CONDITION</b> |   | AS PER TR10277F REV-01. SPECIFICATION ENCLOSED     |             |                 |           |
|                       | <b>SAMPLE</b>                | N                           |                            |   |  |             |                 |           |
| <b>GATE PASS</b>      | Y                            | <b>INSPECTION CONDITION</b> |                            | TPIA-QAP-QA PLAN NO.: QC/TCB/QAP-BO/01 REV 04 |  |             |                 |           |

**NOTE: QUOTE PRICE BOTH IN FIGURES & WORDS. IN CASE OF MISMATCH PRICE IN WORDS WILL BE VALID, QUOTATIONS NOT BEARING ENQUIRY NO AND DUE DATE LIABLE TO BE REJECTED.**


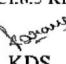
| SL NO | MATERIAL CODE | DESC   | UNIT | ITEM QTY | QTY VR% | LOT NO | LOT QTY | DEST | DELIVERY DATE |
|-------|---------------|--|------|----------|---------|--------|---------|------|---------------|
| 1     | BP9046061710  | 2700 LPM TRANSFORMER OIL PUMPS HAVING PREMIUM EFFICIENCY CLASS IE3 MOTOR AS PER ITEM 007 OF SPECIFICATION TR10278P REV-01. | NO   | 120.000  | 25      | 1      | 120.000 | 206  | 20/07/28      |
| 2     | BP9046061728  | 1800 LPM TRANSFORMER OIL PUMPS HAVING PREMIUM EFFICIENCY CLASS IE3 MOTOR AS PER ITEM 008 OF SPECIFICATION TR10278P REV 01  | NO   | 300.000  | 25      | 1      | 300.000 | 206  | 20/07/28      |
| 3     | BP9046061736  | 4500 LPM TRANSFORMER OIL PUMPS HAVING PREMIUM EFFICIENCY CLASS IE3 MOTOR AS PER ITEM 009 OF SPECIFICATION TR10278P REV-01. | NO   | 40.000   | 25      | 1      | 40.000  | 206  | 20/07/28      |


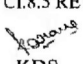
**REMARK** 1)THIS IS A RATE CONTRACT ENQUIRY .DELIVERY DATE MENTIONED IN THE ENQUIRY SHEET IS TENTATIVE. MATERIAL WILL BE ORDERED AGAINST DIFFERENT PO'S AS PER SPECIFIC REQUIREMENT 2)COMMERCIAL TERMS & CONDITIONS SHOULD BE STRICTLY ACCORDING TO THE ENCLOSED ANNEXURES WITH ENQUIRY . SUPPLIER NOT ADHERING TO THE T&C MENTIONED IN ANNEXURES ARE LIABLE FOR REJECTION.A SIGNED COPY OF ANNEXURES IS TO BE ENCLOSED WITH OFFER 3) THIS REV IS ISSUED TO RE TENDER THE ENQUIRY


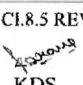
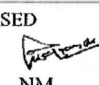

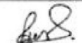
|                  |                     |                    |                |                       |                  |             |                  |                |                 |                     |
|------------------|---------------------|--------------------|----------------|-----------------------|------------------|-------------|------------------|----------------|-----------------|---------------------|
| <b>DRAWING</b> N | <b>PURCH SPEC</b> Y | <b>CATALOUGE</b> N | <b>PLAN</b> N  | <b>TWO PART BID</b> Y |                  |             |                  |                |                 |                     |
| <b>SUPP CD.</b>  | <b>SUPP NAME</b>    | <b>MSME</b>        | <b>STATUS.</b> | <b>PMD</b>            | <b>Cust Appr</b> | <b>S.NO</b> | <b>INDENT NO</b> | <b>ITEM NO</b> | <b>CATEGORY</b> | <b>ENQUIRY QTY.</b> |
|                  |                     |                    |                |                       |                  | 1           | 120660005        | 1              | 720070          | 120.000             |
|                  |                     |                    |                |                       |                  | 2           | 120660005        | 2              | 720070          | 300.000             |
|                  |                     |                    |                |                       |                  | 3           | 120660005        | 3              | 720070          | 40.000              |


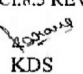
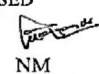
NOTE:BHEL,BHOPAL'S Standard Terms & Conditions BP200102 (Latest Revision) form a part of this Enquiry. Bidders may obtain from us copies of these terms and conditions if not already available.


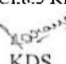
|  |   |
|--|---|
| <b>SPECIAL REMARKS:</b> Bid to be submitted through e-procurement. Refer eproc link on BHEL Bhopal B2B site. | <b>NAME :</b> SHRI RAJESH KUMAR RAI<br><b>DESG :</b> ENGINEER<br>0755-2503163<br>rk.rai@bhel.in<br><div style="text-align: right;"><b>SIGN &amp; SEAL</b></div> |
|--|---|


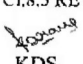
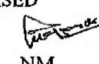
|   |  |  |   |                            |   |
|---|--|--|---|----------------------------|---|
| R.F.F.<br>COMP. drg.  | <br>Form No. 2038 | उत्पाद मानक<br>परिणामित्र<br>शाप/अभि. निर्देश  | PRODUCT STANDARD<br>TRANSFORMER<br>ENGG. INSTRUCTIONS | <b>TR10278P</b>            |   |
|   |  |  |   | 11 पृष्ठों में 1           | PAGE 1 OF 11                            |
| <b><u>TITLE: SPECIFICATIONS FOR TRANSFORMER OIL PUMPS HAVING PREMIUM EFFICIENCY CLASS IE3 MOTOR</u></b>   |  |  |   |                            |   |
| <b>1.0 APPLICATION</b>  |  |  |   |                            |   |
| 1.1 Pumps shall be used for circulating hot transformer oil to IS: 335 up to 100°C through transformer windings and cooling equipment and shall operate without undue vibration and with minimum of noise less than 70db.   |  |  |   |                            |   |
| <b>2.0 CONSTRUCTION</b>   |  |  |   |                            |   |
| 2.1 The pump & driving motor shall be built as a unit on a common shaft and impeller shall be directly mounted on the motor shaft. Thus equipment shall form a leak-proof glandless close coupled unit for outdoor installation without protective covering.  |  |  |   |                            |   |
| 2.2 Pump & the integral motor shall incorporate bearings (only reputed make like FAG/SKF etc.) capable of withstanding the thrust due to moving parts and action of impeller, when mounted with the axis of spindle either in vertical or horizontal plane.   |  |  |   |                            |   |
| 2.3 Impeller design to be such that it does not obstruct oil flow when pump is not working.   |  |  |   |                            |   |
| 2.4 Pump unit shall be suitable for mounting in horizontal or vertical positions.   |  |  |   |                            |   |
| 2.5 The design of pump to be such that there are no pockets where air/gases can collect. Air release plug at the highest point and drain plug at the lowest point of the pump shall be provided. SS/Brass plugs to be of Hex. Head type and shall be provided with teflon / nylon washers.                                  |  |  |   |                            |   |
| 2.6 Arrow shall be casted on inline pump bodies to indicate direction of oil flow. Further an arrow shall also be casted on both type of pump bodies (inline & centrifugal) to indicate direction of impeller rotation. However, for inline pumps an arrow plate of anodised aluminum riveted to body can also be accepted. |  |  |   |                            |   |
| 2.7 An anodised aluminium warning plate indicating 'pump should not be run without oil' shall be put on the pump.   |  |  |   |                            |   |
| <b>2.8 MATERIALS OF CONSTRUCTION FOR INLINE PUMPS.</b>  |  |  |   |                            |   |
| a. Body : Aluminium alloy BS 1490 Gr LM6  |  |  |   |                            |   |
| b. Shaft : EN8/BS 970/SS  |  |  |   |                            |   |
| c. Bearing : SKF/FAG/Any reputed  |  |  |   |                            |   |
| d. Class of Insulation : F  |  |  |   |                            |   |
| e. Varnished : Dr. Bake & co.(F-50 or equivalent) or any equivalent reputed make.   |  |  |   |                            |   |
| f. Rotor : Aluminium die cast.  |  |  |   |                            |   |
| g. Impeller : Aluminium alloy BS1490 GR LM6/Gunmetal Grade LTB2 of IS:318   |  |  |   |                            |   |
| <b>TR10278P</b><br>PAGE 1 OF 11   | वितरण<br>DISTRIBUTION.   |  | सं.   | जांचा:<br>CHECKED BY: NKM  | स्वीकृत किया :<br>APPROVED: RKS         |
|   | पुन:Rev.01<br>दि. Dt.<br>25/04/23  | CL.8.5 REVISED<br><br>KDS | TRE/TRM/FTM<br>TRX/TTG/<br>QC-TCB/QA-TCB/<br>JHANSI   | तैयार किया PREPD.<br>KARAN | जारी किया ISSUED<br>टीआरई/मानक TRE/STD. |


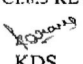
|   |  |   |   |                            |   |
|---|--|---|---|----------------------------|---|
| RFF<br>COMP. dtg  | <br>Form No. 2038           | उत्पाद मानक<br>परिणामित्र<br>शाप/अभि. निर्देश       | PRODUCT STANDARD<br>TRANSFORMER<br>ENGG. INSTRUCTIONS | <b>TR10278P</b>            |   |
|   |  |   |   | 11 पृष्ठों में 2           | PAGE 2 OF 11                            |
| <b>MATERIALS OF CONSTRUCTION FOR CENTRIFUGAL PUMP.</b>  |  |   |   |                            |   |
| <p>a. Body : Aluminium alloy BS 1490 Gr LM6/Cast Iron FG200 of IS210</p> <p>b. Shaft : EN8/BS 970/SS</p> <p>c. Bearing : SKF/FAG/Any reputed</p> <p>d. Class of Insulation : F</p> <p>e. Varnished : Dr.Bake &amp; co.(F-50 or equivalent)or Any equivalent reputed make.</p> <p>f. Rotor : Aluminium die cast.</p> <p>g.. Impeller : Aluminium alloy BS 1490 GR LM6/Gunmetal Grade LTB2 of IS:318</p>  |  |   |   |                            |   |
| <b>3.0 MOTOR</b>  |  |   |   |                            |   |
| <p>3.1 Motor used for pumps shall be squirrel cage induction type conforming generally to IS: 325 and shall be suitable for continuous operation and 'direct on line' starting. Wound stator should be varnished with F-50 or equivalent and VPI system to be implemented.</p> <p>3.2 Motor used for pumps shall be of premium efficiency class IE3 conforming to IS: 12615.</p> <p>3.3 Motor shall be designed to permit circulation of transformer oil through windings for cooling purposes.</p> <p>3.4 Insulation for motor winding shall conform Class-F of IS: 1271. Windings shall be impregnated to make them non-hygroscopic for operation in transformer oil at 100°C.</p> <p>3.5 The rotor shall have smooth finish without vanes so as to minimise friction losses when rotating in transformer oil.</p> <p>3.6 The motor bearing shall be suitable for lubrication by internal circulation of transformer oil.</p> <p>3.7 Motor shall be suitable for 415 volts (rated voltage) 3-phase, 50-hz A.C. supply. Further, motor shall be suitable for voltage variation of <math>\pm 10\%</math> over rated value and frequency variation of <math>\pm 3\%</math>.</p> <p>3.8 Motor shall be designed to operate for a period of not less than 10- minutes at 70% of rated voltage without stalling or injurious overheating.</p> <p>3.9 Motor shall be capable of starting at 80% of the rated voltage the starting current at rated voltage shall not exceed 6-times the rated full load current.</p> <p>3.10 Technical data for pump motor shall be furnished as per page-7 of this specification.</p> |  |   |   |                            |   |
| <b>TR10278P</b><br>PAGE 2 OF 11   |  |   |   |                            |   |
|   |  | वितरण<br>DISTRIBUTION.                              | सं.   | जांचा:<br>CHECKED BY: NKM  | स्वीकृत किया :<br>APPROVED: RKS         |
| पुनः Rev.01<br>दि. Dt.<br>25/04/23  | CI.8.5 REVISED<br><br>KDS | TRE/TRM/FTM<br>TRX/TTG/<br>QC-TCB/QA-TCB/<br>JHANSI |   | तैयार किया PREPD.<br>KARAN | जारी किया ISSUED<br>टीआरई/मानक TRE/STD. |
|   | NM   |   |   |                            | दिनांक<br>DATE-<br>02.01.23             |

|  |  |  |   |   |              |
|--|--|--|---|---|--------------|
| RFF<br>COMP. dfg   | <br>Form No. 2038 | उत्पाद मानक<br>परिणामित्र<br>शाप/अभि. निर्देश  | PRODUCT STANDARD<br>TRANSFORMER<br>ENGG. INSTRUCTIONS | <b>TR10278P</b>   |              |
|  |  |  |   | 11 पृष्ठों में 3  | PAGE 3 OF 11 |
| <b>4.0 TERMINAL BOX</b>  |  |  |   |   |              |
| 4.1 Terminal box shall be of weather proof design. Epoxy moulded terminal box should be provided to take care of oil temperature upto 115°C.   |  |  |   |   |              |
| 4.2 The terminals to be of stud type of adequate size and length. Incoming leads from winding shall be locked and additional hardwares, i.e. washers, nuts and lock nuts shall be provided for outgoing leads.   |  |  |   |   |              |
| 4.3 A wiring diagram on anodised aluminium plate shall be riveted on inside of the terminal box cover.   |  |  |   |   |              |
| 4.4 Terminal marking shall be done as per IS: 4728-1975 by engraving on terminal board and filling the same with paint.  |  |  |   |   |              |
| 4.5 Terminal box shall be provided with 1" B.S. conduit entry. Conduit entry hole shall point downwards and should be closed for transportation and longer storage.  |  |  |   |   |              |
| <b>5.0 DRILLING</b>  |  |  |   |   |              |
| Flange shall be drilled as below holes to be off centre and back of the flanges shall be spot faced/machined.  |  |  |   |   |              |
| (I) Upto 100mm NB. as per IS: 3639.<br>100mm 4 holes of 18dia on 180 PCD   |  |  |   |   |              |
| (II) 150mm and 200mm NB as per IS: 1536 Table (iv)<br>150mm 8holes of 23dia on 240 PCD<br>200mm 8holes of 23dia on 295 PCD   |  |  |   |   |              |
| <b>6.0 PAINTING / PLATING</b>  |  |  |   |   |              |
| 6.1 The internal surface of pump and motor housing after proper cleaning shall be painted with transformer oil resisting paint/ varnish. Test certificate of oil resistant paint/ varnish should be furnished along with supply.   |  |  |   |   |              |
| 6.2 In side of terminal box shall be painted with two coats of non-yellowing white paint.  |  |  |   |   |              |
| 6.3 Outside surface after removing rust, grease and dirt etc. by necessary pretreatment sand/shot blasting shall be applied with two coats of red-oxide zinc chromate priming paint to IS:2074, followed by two coats of polyurethane paint to IS: 13213 of colour shade conforming to RAL7035. In case of pumps having aluminium bodies one coat of etch primer to IS: 5666 shall also be applied before priming paint. Refer inquiry for specific finishing paint shade. |  |  |   |   |              |
| 6.4 All hardwares used shall be zinc plated and passivated to grade Fe / Zn 12.5 of IS: 1573 or SS.  |  |  |   |   |              |
| <b>TR10278P</b><br>PAGE 3 OF 11  |  |  |   |   |              |
|  |  | वितरण<br>DISTRIBUTION.   |   | सं.   |              |
| पुनः Rev.01<br>ति. दि.<br>25/04/23   |  | CI.8.5 REVISED<br><br>KDS |   | TRE/TRM/FTM<br>TRX/TG/<br>QC-TCB/QA-TCB/<br>JHANSI  |              |
|  |  | <br>NM                    |   | जांचा: <br>CHECKED BY: NKM       |              |
|  |  |  |   | स्वीकृत किया : <br>APPROVED: RKS |              |
|  |  |  |   | तैयार किया PREPD. जारी किया ISSUED<br>KARAN टीआरई/मानक TRE/STD.   |              |
|  |  |  |   | दिनांक<br>DATE<br>02.01.23  |              |

|  |  |   |   |                            |   |
|--|--|---|---|----------------------------|---|
| RFF<br>COMP. dfg   | <br>Form No. 2038           | उत्पाद मानक<br>परिणामित्र<br>शाप/अभि. निर्देश       | PRODUCT STANDARD<br>TRANSFORMER<br>ENGG. INSTRUCTIONS | <b>TR10278P</b>            |   |
|  |  |   |   | 11 पृष्ठों में 4           | PAGE 4 OF 11                            |
| <b>7.0. TESTING</b><br>Following type and routine tests shall be carried out on pump motor set, wherever applicable. Method of test shall be as per IS:325.  |  |   |   |                            |   |
| <b>7.1 ROUTINE TESTS</b>   |  |   |   |                            |   |
| 7.1.0 Tests should be conducted with instruments calibrated as per NABL standards.   |  |   |   |                            |   |
| 7.1.1. Assembled pump motor unit shall be oil-pressure tested at min. 5 kg / cm <sup>2</sup> for 30 minutes at room temperature  |  |   |   |                            |   |
| 7.1.2. Insulation resistance test.   |  |   |   |                            |   |
| 7.1.3. High voltage test at 2.0 kV for 1 minute, to be conducted between line terminal and the earth.  |  |   |   |                            |   |
| 7.1.4. No load running of motor and reading of current, voltage, frequency, power input and speed.   |  |   |   |                            |   |
| 7.1.5. Locked rotor test at 100 / 135 volts and reading of current and power input.  |  |   |   |                            |   |
| <b>7.2 PERFORMANCE TEST</b><br>All assembled pumps shall be tested for their performance in a closed loop filled with transformer oil conforming to IS: 335 at room temperature. A minimum five sets of reading shall be taken i.e. one at duty point and two each on above & below duty point so that operating curve can be drawn. Readings of discharge, head, voltage, current, power input shall be recorded. Tolerance on nominal flow shall be minus 5% & plus 10%. |  |   |   |                            |   |
| <b>8.0. TYPE TESTS</b><br>The following tests shall be conducted on one pump motor set per lot supplied against one purchase order.  |  |   |   |                            |   |
| 8.1 The pump shall withstand vacuum test corresponding to an absolute pressure of 250 torr , max. for 30 minutes without any damage / deformation. Hydraulic pressure test as per cl 7.1.1 above shall be repeated after vacuum test.  |  |   |   |                            |   |
| 8.2 The assembled pump motor set shall be oil pressure tested with transformer oil to IS: 335 at 1.0kg / cm <sup>2</sup> for 24 hrs at room temperature.   |  |   |   |                            |   |
| 8.3 Temp. rise test by resistance method to measure the temp. rise of motor winding over hot oil. temp. rise of the motor when passing transformer oil at 90°C shall not exceed oil temperature by more than 30°C for class – F insulation.  |  |   |   |                            |   |
| 8.4 I.P. 55/I.P.67/I.P. 68 degree of protection- typical test certificate for similar design of terminal box shall be submitted.   |  |   |   |                            |   |
| 8.5 All the type tests should be conducted at any NABL lab or if conducted at supplier works then should be witnessed by BHEL / customer / any authorised inspection agency. The type test certificates should not be more than 10 years old at the time of enquiry.   |  |   |   |                            |   |
| <b>TR10278P</b><br>PAGE 4 OF 11  |  | वितरण<br>DISTRIBUTION.                              | सं.   | जांचा:<br>CHECKED BY: NKM  | स्वीकृत किया :<br>APPROVED: RKS         |
| पुनः Rev.01<br>दि. Dt.<br>25/04/23   | CL.8.5 REVISED<br><br>KDS | TRE/TRM/FTM<br>TRX/TTG/<br>QC-TCB/QA-TCB/<br>JHANSI |   | तैयार किया PREPD.<br>KARAN | जारी किया ISSUED<br>टीआरई/मानक TRE/STD. |
|  | <br>NM                    |   |   |                            | दिनांक<br>DATE<br>02.01.23              |

|  |  |   |   |  |
|--|--|---|---|--|
| <br>Form No. 2038   | उत्पाद मानक<br>परिणामित्र<br>शाप/अभि. निर्देश  | PRODUCT STANDARD<br>TRANSFORMER<br>ENGG. INSTRUCTIONS | <b>TR10278P</b>   |  |
|  |  |   | 11 पृष्ठों में 5  | PAGE 5 OF 11   |
| RFP<br>COMP. drg   | <b>9.0. RATING PLATE</b><br>A rating plate of SS stating the following shall be provided on each pump        |   |   |  |
| The Information on this document is the property of BHARAT HEAVY ELECTRICALS LIMITED. It must not be used directly or indirectly in any way detrimental to the interest of the Company.  |  |   |   |  |
| (a) Discharge in LPM and head in meters.<br>(b) Name of manufacturer.<br>(c) Manufacturer's serial no.<br>(d) Motor rating in KW.<br>(e) Class of insulation.<br>(f) Rated current voltage, No. of Phase & frequency in Hz.<br>(g) Speed in RPM.<br>(h) Winding connection.<br>(i) Suction and delivery size.<br>(j) Type of pump i.e. in line or centrifugal.<br>(k) Efficiency class.                    |  |   |   |  |
| <b>10.0. TEST CERTIFICATES</b><br>All pump motor sets shall be issued with six copies of test certificate containing the following information.  |  |   |   |  |
| 10.1 Rating plate details.<br>10.2 Routine test results as per clause 7.1.<br>10.3 Purchase order no. and date of testing.<br>10.4 Performance characteristics curves with flow vs head, flow vs efficiency, flow vs input KW.   |  |   |   |  |
| <b>11.0. BLANKING</b><br>All pump motor units shall be properly blanked with suitable gaskets and good quality painted steel blanking plates and plated hardwares to avoid ingress of dust and foreign particles etc. in to the pump motor during transit/ storage.  |  |   |   |  |
| <b>12.0. GUARANTEE</b><br>Supplier shall guarantee the performance of the pump motor sets for a period of 24-months from the receipt or 18-months from the date of commissioning whichever is earlier and shall undertake to replace the defective pumps free of cost at site during this period.  |  |   |   |  |
| <b>13.0.</b> Vendor should take the guarantee that maximum input losses supported by calculations is accurate which will be subsequently measured at out works / site during heat run test of transformer. Any variation in measurement of losses on higher side will have penalty & commercial implication. This is mandatory clause precisely to be confirmed by the vendors while quoting their offers. |  |   |   |  |
| <b>TR10278P</b><br>PAGE 5 OF 11  |  |   |   |  |
|  |  | वितरण<br>DISTRIBUTION.                                | सं.   |  |
| पुनः:Rev.01<br>दि. Dt.<br>25/04/23   | CL.8.5 REVISED<br><br>KDS | TRE/TRM/FTM<br>TRX/TTG/<br>QC-TCB/QA-TCB/<br>JHANSI   | जांचा:<br>CHECKED BY: NKM<br>तैयार किया PREPD.<br>KARAN | स्वीकृत किया :<br>APPROVED: RKS<br>जारी किया ISSUED<br>टीआरई/मानक TRE/STD.<br>दिनांक<br>DATE<br>02.01.23 |

|  |  |   |   |  |   |                            |
|--|--|---|---|--|---|----------------------------|
| R.F.F.<br>COMP. dtg  | <br>Form No. 2038           | उत्पाद मानक<br>परिणामित्र<br>शाप/अभि. निर्देश   | PRODUCT STANDARD<br>TRANSFORMER<br>ENGG. INSTRUCTIONS                         | <b>TR10278P</b>  |   |                            |
|  |  |   |   | 11 पृष्ठों में 6   | PAGE 6 OF 11  |                            |
| <b>14.0. FOLLOWING INFORMATION SHALL BE FURNISHED ALONG WITH THE OFFER.</b>  |  |   |   |  |   |                            |
| (i) Three copies of pump drawings showing the outline dimensions, mounting and weight etc.<br>(ii) Three copies of performance curve of the pump.<br>(iii) Combined efficiency of the pump motor at duty point.<br>(iv) Technical data of pump motor as per page-7.<br>(v) Five sets of operation & maintenance instruction booklet shall be supplied along with each lot.<br>(vi) Guarantee certificate of maximum input losses of quoted pump. |  |   |   |  |   |                            |
| <b>15.0. NOTES</b>   |  |   |   |  |   |                            |
| (i) For general dimensions & parameters of centrifugal pumps refer figure at page no. 8-9 and table 1 at page no. 10.<br>(ii) For general dimensions & parameters of axial pumps refer figure at page no. 8-9 & table 2 at page no. 11.  |  |   |   |  |   |                            |
| COPYRIGHT AND CONFIDENTIAL<br>The Information on this document is the property of BHARAT HEAVY ELECTRICALS LIMITED. It must not be used directly or indirectly in any way detrimental to the interest of the Company.  |  |   |   |  |   |                            |
| <b>TR10278P</b><br>PAGE 6 OF 11  |  |   |   |  |   |                            |
| पुनः:Rev.01<br>दि. Dt.<br>25/04/23   | CI.8.5 REVISED<br><br>KDS | <br>NM | वितरण<br>DISTRIBUTION.<br>TRE/TRM/FTM<br>TRX/TTG/<br>QC-TCB/QA-TCB/<br>JHANSI | सं.<br>जांचा:<br>CHECKED BY: NKM<br>तैयार किया PREPD.<br>KARAN | स्वीकृत किया :<br>APPROVED: RKS<br>जारी किया ISSUED<br>टीआई/मानक TRE/STD. | दिनांक<br>DATE<br>02.01.23 |

|  |   |   |   |                            |  |
|--|---|---|---|----------------------------|--|
| RFF<br>COMP. dng   | <br>Form No. 2038  | उत्पाद मानक<br>परिणामित्र<br>शाप/अभि. निर्देश   | PRODUCT STANDARD<br>TRANSFORMER<br>ENGG. INSTRUCTIONS | <b>TR10278P</b>            |  |
|  |   |   |   | 11 पृष्ठों में 7           | PAGE 7 OF 11                           |
| <b>TITLE : SPECIFICATIONS FOR TRANSFORMER OIL PUMPS</b>  |   |   |   |                            |  |
| <b><u>PROFORMA. OF TECHNICAL DATA FOR PUMPS MOTOR</u></b>  |   |   |   |                            |  |
| 1. Manufacturer _____<br>2. Type _____<br>3. Application _____<br>4. Pump motor rating in kw _____<br>5. Max. power consumption at duty point _____<br>6. Duty cycle as per IS: 325 _____<br>7. Efficiency class _____<br>8. Rated voltage, no. of phase & freq. _____<br>9. Allowable voltage variation _____<br>10. Allowable frequency variation _____<br>11. Allowable combined variation _____<br>12. Full load current _____<br>13. Rated speed _____<br>14. Full load efficiency of motor _____<br>15. Combined efficiency of pump motor _____<br>16. Full load power factor _____<br>17. Method of starting _____<br>18. Starting current _____<br>19. Type of enclosure _____<br>20. Class of insulation _____<br>21. Starting torque (% of F.L.T) _____<br>22. Maximum torque (% of F.L.T) _____<br>23. Suitability for outdoor application _____<br>24. Safe stall time in seconds _____<br>25. Temp rise over oil temp of 90°C _____<br>26. Type size and nos. of terminals bought out _____<br>27. Type of connection star/delta. _____<br>28. Suitability of hor. / vert. mtg. _____<br>29. Type and make of bearings _____<br>30. Total wt. of pump motor _____<br>31. Suitability of motor wdg. for space heating by 24V A.C. supply when pump is idle _____<br>32. Acceleration time in secs _____<br>33. Dimensional outline drawing _____<br>34. Suitability of terminal box for IP-55/IP-66/IP-67 Protection _____ |   |   |   |                            |  |
| <b>TR10278P</b><br>PAGE 7 OF 11  | COPYRIGHT AND CONFIDENTIAL<br>The information on this document is the property of BHARAT HEAVY ELECTRICALS LIMITED. It must not be used directly or indirectly in any way detrimental to the interest of the Company. |   | वितरण<br>DISTRIBUTION.                                | सं.                        | जांचा: _____<br>CHECKED BY: NKM        |
|  | पुनः Rev.01<br>दि. Di.<br>25/04/23<br>KDS   | CL8.5 REVISED<br><br>KDS | TRE/TRM/FTM<br>TRX/TTG/<br>QC-TCB/QA-TCB/<br>JHANSI   | तैयार किया PREPD.<br>KARAN | जारी किया ISSUED<br>टीआई/मानक TRE/STD. |



Form No. 2038

उत्पाद मानक  
परिणामित्र  
शाप/अभि. निर्देश

PRODUCT STANDARD  
TRANSFORMER  
ENGG. INSTRUCTIONS

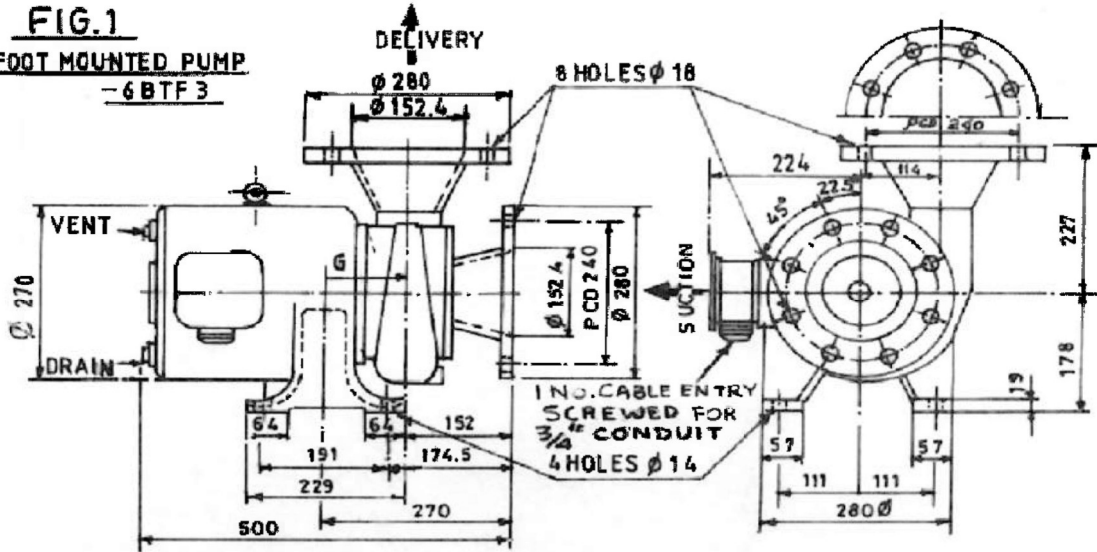
TR10278P

11 पृष्ठों में 8

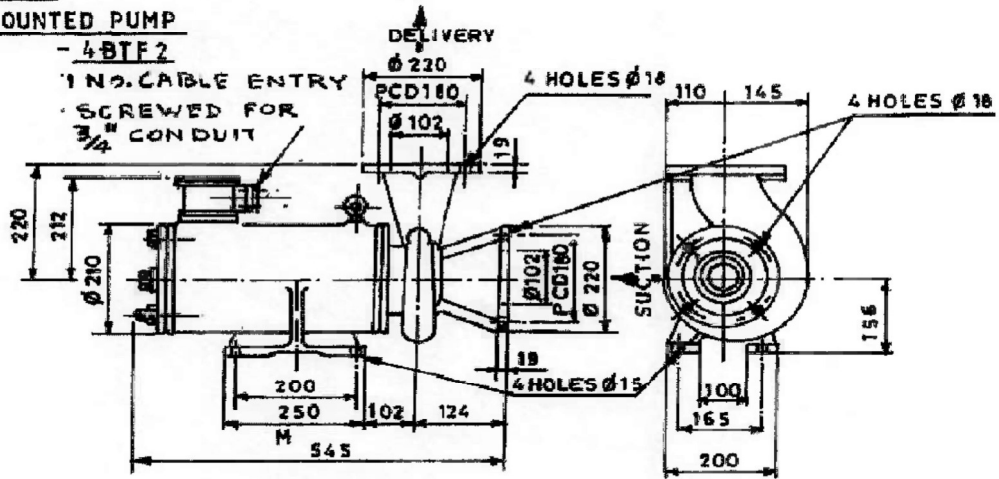
PAGE 8 OF 11

**TRANSFORMER OIL PUMP (CENTRIFUGAL) RADIAL FLOW**

**FIG.1**  
**FOOT MOUNTED PUMP**  
**- 6BTF3**



**FIG.2**  
**FOOT MOUNTED PUMP**  
**- 4BTF2**



**NOTE :- FOR TECHNICAL DETAILS REF. SHEET 10 OF 11.**

COPYRIGHT AND CONFIDENTIAL  
 The Information on this document is the property of BHARAT HEAVY ELECTRICALS LIMITED. It must not be used directly or indirectly in any way detrimental to the interest of the Company.

TR10278P  
 PAGE 8 OF 11

|                                   |                              |   |     |                            |  |
|-----------------------------------|------------------------------|---|-----|----------------------------|--|
|                                   |                              | वितरण<br>DISTRIBUTION.                              | सं. | जांचा:<br>CHECKED BY: NKM  | स्वीकृत किया :<br>APPROVED: RKS        |
| पुन:Rev.01<br>दि. Dt.<br>25/04/23 | CL.8.5 REVISED<br><br>KDS NM | TRE/TRM/FTM<br>TRX/TTG/<br>QC-TCB/QA-TCB/<br>JHANSI |     | तैयार किया PREPD.<br>KARAN | जारी किया ISSUED<br>टीआई/मानक TRE/STD. |
|                                   |                              |   |     |                            | दिनांक<br>DATE<br>02.01.23             |



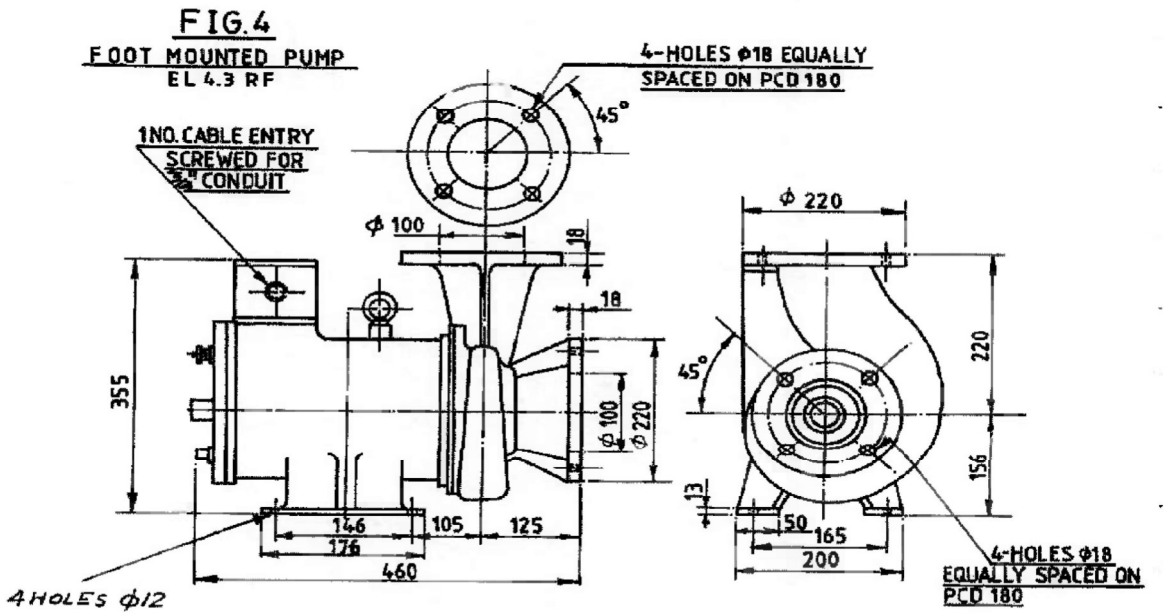
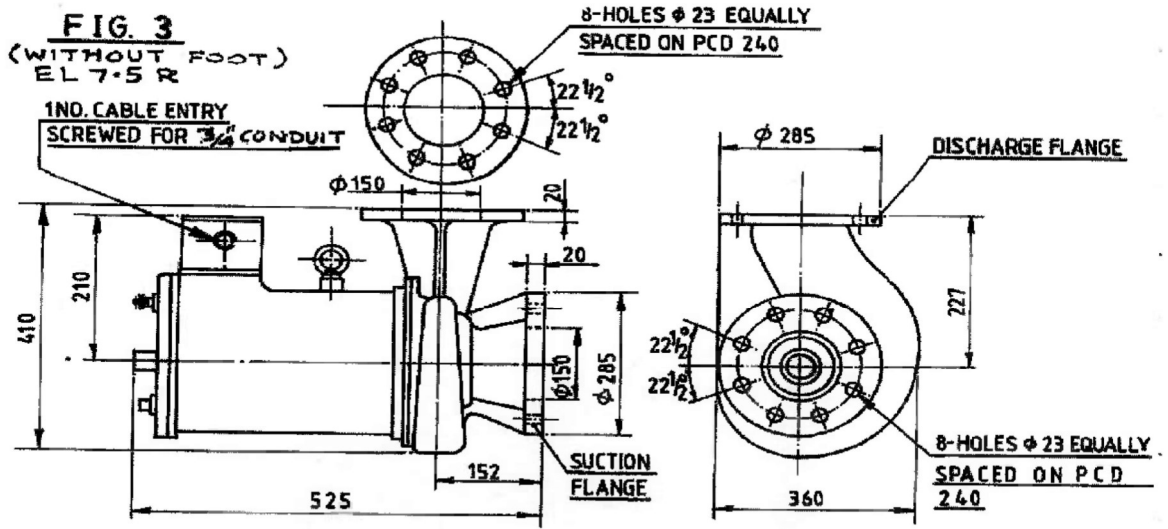
उत्पाद मानक  
परिणामित्र  
शाप/अभि. निर्देश

PRODUCT STANDARD  
TRANSFORMER  
ENGG. INSTRUCTIONS

TR10278P

11 पृष्ठों में 9 PAGE 9 OF 11

**TRANSFORMER OIL PUMP (CENTRIFUGAL) RADIAL FLOW**




NOTE :- FOR TECHNICAL DETAILS REF. SHEET 10 OF 11

REF COMP. dng

COPYRIGHT AND CONFIDENTIAL  
The Information on this document is the property of BHARAT HEAVY ELECTRICALS LIMITED. It must not be used directly or indirectly in any way detrimental to the interest of the Company.

TR10278P  
PAGE 9 OF 11

|                                   |                         |   |   |   |                             |
|-----------------------------------|-------------------------|---|---|---|-----------------------------|
| पुनःRev.01<br>डि. डी.<br>25/04/23 | CL8.5 REVISED<br>KDS NM | वितरण<br>DISTRIBUTION.<br>TRE/TRM/FTM<br>TRX/TTG/<br>QC-TCB/QA-TCB/<br>JHANSI | सं.<br>जांचा: NKM<br>CHECKED BY: NKM<br>तैयार किया PREPD. KARAN | स्वीकृत किया : RKS<br>APPROVED: RKS<br>जारी किया ISSUED<br>टीआई/मानक TRE/STD. | दिनांक.<br>DATE<br>02.01.23 |
|-----------------------------------|-------------------------|---|---|---|-----------------------------|

|  |                           |  |                            |  |                               |
|--|---------------------------|--|----------------------------|--|-------------------------------|
| १३:Rev.01<br>२५/०१/२३<br>F. D.   | CLS. REVISED<br>KDS<br>NM | TRX/TRM/FTM<br>TRX/TTG/<br>QC-TCB/QA-TCB/<br>JHANSI  | तैयार किया PREPD.<br>KARAN | तैयार किया/भारत TRE/STD.<br>०२.०१.२३<br>DATE | तैयार किया :<br>APPROVED: RKS |
| <b>TR10278P</b><br>PAGE 10 OF 11   |                           |  |                            |  |                               |
| COPYRIGHT AND CONFIDENTIAL<br>The Information on this document is the property of BHARAT HEAVY ELECTRICALS LIMITED. It must not be used directly or indirectly in any way detrimental to the interest of the Company.  |                           |  |                            |  |                               |
| <b>TRANSFORMER OIL PUMP (CENTRIFUGAL) RADIAL FLOW</b>  |                           |  |                            |  |                               |
| ITEM NO.   | FIG. NO.                  | SIZE   | FLOW                       |  | WT.                           |
| 1  | 2                         | 100  | LPM                        | HD. MTRS.                                    | 78                            |
|  |                           |  | 800                        | 10   |                               |
| 2  | 2                         | 100  | 1000                       | 8.5  | 78                            |
|  |                           |  | 1400                       | 8  |                               |
| 3  | 4                         | 100  | 1200                       | 10   | 71                            |
|  |                           |  | 1400                       | 8  |                               |
| 4  | 1                         | 150  | 1275                       | 10   | 110                           |
|  |                           |  | 2000                       | 10   |                               |
| 5  | 3                         | 150  | 2200                       | 8.0  | 91                            |
|  |                           |  | 2000                       | 10.0   |                               |
| 6  | 1                         | 150  | 2200                       | 8.0  | 110                           |
|  |                           |  | 2300                       | 10   |                               |
| <b>NOTES :-</b><br>(i) FOR GENERAL SPEC REFER SHEET 1 TO 7 OF THIS PRODUCT STANDARD.<br>(ii) TOLERANCE ON FLOW SHALL BE MINIMUMS 5% AND PLUS 10%.<br>(iii) POSITION OF DELIVERY FLANGES CAN BE CHOSEN TO OTHER POSITIONS ALSO AT INTERVAL OF 90° IN ANY DIRECTION DURING ORDERING. |                           |  |                            |  |                               |
| RFP<br>COMP. dng   |                           |  |                            |  |                               |
| ११ पृष्ठा # १०<br>PAGE 10 OF 11  |                           | Form No. 2038<br><br>उत्पाद भागक<br>परिवर्णिका<br>TRANSFORMER<br>PRODUCT STANDARD<br>ENGG. INSTRUCTIONS |                            |  |                               |

|                                  |                        |                                      |  |                                  |                                  |
|----------------------------------|------------------------|--------------------------------------|--|----------------------------------|----------------------------------|
| 25/04/23<br>25/04/23<br>25/04/23 | KDS<br>NM<br>KDS<br>NM | TRX/TTG/<br>QC-TCB/QA-TCB/<br>JHANSI | TR/ERM/FTM<br>TRX/TTG/<br>QC-TCB/QA-TCB/<br>JHANSI | 02.01.23<br>02.01.23<br>02.01.23 | 25/04/23<br>25/04/23<br>25/04/23 |
|----------------------------------|------------------------|--------------------------------------|--|----------------------------------|----------------------------------|

**TR10278P**

PAGE 11 OF 11

COPYRIGHT AND CONFIDENTIAL

The information on this document is the property of BHARATI HEAVY ELECTRICALS LIMITED. It must not be used directly or indirectly in any way detrimental to the interest of the Company.

RFF

COMP. dfg

**TRANSFORMER OIL PUMPS AXIAL FLOW (ONLINE TYPE)**

| IT NO. | SIZE SUCTION/ DELIVERY | STYLE        | LPM  | HEAD METRE S | DIMENSIONS |       |       |       |          |       | WT KG |
|--------|------------------------|--------------|------|--------------|------------|-------|-------|-------|----------|-------|-------|
|        |                        |              |      |              | A          | C PCD | D NOM | E MAX | F        | G MAX |       |
| 007    | 200x200                | BP9046061710 | 2700 | 2.5          | 500        | 295   | 200   | 385   | 20 To 25 | 270   | 65    |
| 008    | 150x150                | BP9046061728 | 1800 | 2.5          | 425        | 240   | 150   | 340   | 20 To 23 | 240   | 45    |
| 009    | 200x200                | BP9046061736 | 4500 | 3.0          | 500        | 295   | 300   | 360   | 20 To 25 | 270   | 65    |

NOTES :- (1) FOR GENERAL SPECIFICATION OF PUMP MOTOR REFER SHEETS 1 TO 7 OF THIS PRODUCT STANDARD.  
 (2) TOLERANCE ON NOMINAL FLOW SHALL BE MINUS 5% & PLUS 10%.

|                                   |   |  |
|-----------------------------------|---|--|
| 11 पृष्ठां नं 11<br>PAGE 11 OF 11 | ENGG. INSTRUCTIONS<br><b>TRANSFORMER</b><br><b>PRODUCT STANDARD</b> | उद्योग भारती<br>भारती भारती<br>शाखा/आय. निदेश<br>Form No. 2038 |
|-----------------------------------|---|--|





**BHARAT HEAVY ELECTRICALS LIMITED BHOPAL**

**INSPECTION QUALITY PLAN FOR TRANSFORMER OIL PUMP**

QA PLAN NO: QC/TCB/QAP-BO/01 REV.04

DATE:17/06/2025

| SL No | STAGE                | CHARACTERISTICS  | TYPE OF CHECK | QUANTUM OF CHECK                          | REFERENCE DOCUMENT                            | FORMAT OF RECORD | AGENCY    | REMARKS  |
|-------|----------------------|--|---------------|---|---|------------------|-----------|--|
| 1     | Visual Inspection    | <u>Check</u><br>All fittings, Paint, Flange Drilling, Name plate details, Blanking, Terminal marking, dimensions, Orientation of delivery, Mounting, Direction marking for oil flow/ rotation, ZPP of hardware         | V/M           | 100%                                      | BHEL Spec./BHEL DRG/ PO / Approved data sheet | TR               | BHEL/TPIA | CHP (Visual and dimensional Check)   |
| 2     | Material T.C. Review | TC for raw material:<br>i)Casting ii) Impellor iii) Shaft  | V             | 100%                                      | BHEL Spec./BHEL DRG/ PO / Approved data sheet | TC               | BHEL/TPIA | Foundry reports and lab reports to be submitted for review. Proper correlation of TC with material.  |
| 3     | Final Tests          | Starting voltage and current test<br><br><u>Routine Tests</u><br>a) Oil Pr. Test<br>b) IR Test<br>c) HV Test<br>d) No Load Running<br>e) Locked Rotor Tests<br>f) Performance Test curve for i)Q Vs Head ii)Q Vs Power | T             | One machine each type per P.O.<br><br>20% | BHEL Spec./BHEL DRG/ PO / Approved data sheet | TC               | BHEL/TPIA | CHP (witnessing) Internal inspection reports for all pumps to be reviewed.   |
| 4     | Type Test            | <u>Type Test</u><br>a) Vacuum Test<br>b) Oil Pr. Test<br>c) Temp. Rise Test<br>d) IP-55 Test for terminal box (Not more than 5 years)  | T             | Lot of 20 or more pumps.                  | BHEL Spec./BHEL DRG/ PO / Approved data sheet | TC               | BHEL/TPIA | Type Test to be conducted and witnessed for Lot size more than 20 Pumps. If Lot size less than 20 pumps report of type test conducted not more than 5 years ago on similar design pumps shall be reviewed. |
| 5     | Packing and Dispatch | Packing  | V             | 100%                                      | BHEL Spec./BHEL DRG/ PO / Approved data sheet |                  | Supplier  |  |

V-visual, M-Measurement-T-test, TPPIA-third party inspection agency appointed by BHEL, CHP-customer hold point (Vendor cannot proceed without getting clearance from BHEL/TPIA), Latest Revision of BHEL Product standard/Specification shall be applicable.

Note: This QAP shall be read in conjunction with Customer approved QAP/RQP/MQP for specific work Order (As applicable).  
2) In Case of any discrepancy/difference in the Specification and acceptance Norms for Properties/Parameters then Customer QAP/Specification Shall Prevail.

Prepared By

Approved By

Ashish Kumar Sharma  
 Sr. Manager  
 QA & QTR, TCB  
 BHEL, BHOPAL

Ashish Kumar Sharma  
 Sr. Manager  
 QA & QTR, TCB  
 BHEL, BHOPAL

## Annexure 1 A

### PQR

#### 1. Past Supply/Performance:

The vendor must have supplied **similar category item** amounting to a minimum of **5% of the total tendered quantity (all items put together)** during the last six (06) financial years, i.e., **2021-22, 2022-23, 2023-24, 2024-25, 2025-26 and 2026-27**. Only supplies made to Central/State Government Organizations, Public Sector Undertakings (PSUs), or Public Listed Companies shall be considered acceptable. The total quantity supplied during FY 2021-22 to 2026-27 shall be considered for eligibility evaluation.

The bidder shall submit:

- Copy of relevant **Purchase Order(s)** clearly indicating item description and quantity.
- Documentary proof of supply such as **Invoice Copy / Consignee Receipt Certificate (CRC)** etc.

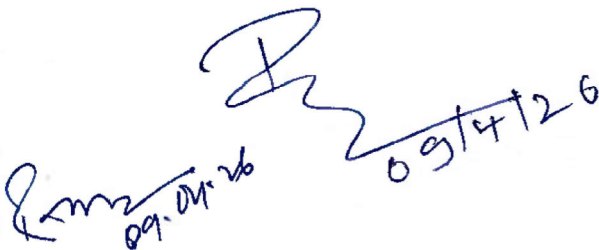
#### 2. OEM / Authorized Representative Requirement:

The bidder shall be either:

- The **Original Equipment Manufacturer (OEM)**; or
- An **Authorized Representative of the OEM**.

The bidder shall submit:

- A **self-declaration on the company's letterhead** confirming OEM status, if the bid is submitted directly by the OEM or A valid **Authorization Certificate issued by the OEM**, if the bid is submitted by an authorized representative.
- The Authorization Certificate shall be valid as on the date of bid submission and shall clearly authorize the bidder to quote for the subject item.

Handwritten signature and date: 09/04/26

Validate Print Help

**Item Wise BoQ**

Tender Inviting Authority: Rajesh Kumar Rai

Name of Work: Frame work agreement (FA) FOR TRANSFORMER OIL PUMPS

Contract No: E7263018R

|  |  |  |
|--|--|--|
| Name of the Bidder/ Bidding Firm / Company : |  |  |
|--|--|--|

**PRICE SCHEDULE**

(This BOQ template must not be modified/replaced by the bidder and the same should be uploaded after filling the relevant columns, else the bidder is liable to be rejected for this tender. Bidders are allowed to enter the Bidder Name and Values only )

| NUMBER #                    | TEXT #   | TEXT #               | NUMBER # | TEXT # | NUMBER #   | NUMBER                            | NUMBER              | NUMBER #       | NUMBER #                              | NUMBER #                              | TEXT #                |
|-----------------------------|--|----------------------|----------|--------|--|-----------------------------------|---------------------|----------------|---------------------------------------|---------------------------------------|-----------------------|
| Sl. No.                     | Item Description   | Item Code / Make     | Quantity | Units  | BASIC RATE In Figures To be entered by the Bidder in Rs. P | GST (If applicable in Percentage) | GST Amount in Rs. P | HSN / SAC Code | TOTAL AMOUNT excluding taxes in Rs. P | TOTAL AMOUNT including taxes in Rs. P | TOTAL AMOUNT in Words |
| 1                           | 2  | 3                    | 4        | 5      | 7  | 8                                 | 9                   | 10             | 11                                    | 12                                    | 13                    |
| 1                           | 2700 LPM TRANSFORMER OIL PUMPS HAVING PREMIUM EFFICIENCY CLASS IE3 MOTOR AS PER ITEM 007 OF SPECIFICATION TR10278P REV-01. | item1                | 120.00   | No     |  |                                   | 0.00                |                | 0.000                                 | 0.000                                 | INR Zero Only         |
| 2                           | 1800 LPM TRANSFORMER OIL PUMPS HAVING PREMIUM EFFICIENCY CLASS IE3 MOTOR AS PER ITEM 008 OF SPECIFICATION TR10278P REV 01  | item2                | 300.00   | No     |  |                                   | 0.00                |                | 0.000                                 | 0.000                                 | INR Zero Only         |
| 3                           | 4500 LPM TRANSFORMER OIL PUMPS HAVING PREMIUM EFFICIENCY CLASS IE3 MOTOR AS PER ITEM 009 OF SPECIFICATION TR10278P REV-01. | item3                | 40.00    | No     |  |                                   | 0.00                |                | 0.000                                 | 0.000                                 | INR Zero Only         |
| <b>Total in Figures</b>     |  |                      |          |        |  |                                   |                     |                | <b>0.000</b>                          | <b>0.000</b>                          | INR Zero Only         |
| <b>Quoted Rate in Words</b> |  | <b>INR Zero Only</b> |          |        |  |                                   |                     |                |                                       |                                       |                       |

**Techno-Commercial Bid**  
(To be filled by supplier and submit with offer)

|                    |  |   |  |                        |
|--------------------|--|---|--|------------------------|
| <b>Tender No.</b>  |  | <b>E7263018R</b>  |  |                        |
| <b>Description</b> |  | <p>ITEM#1:2700 LPM TRANSFORMER OIL PUMPS HAVING PREMIUM EFFICIENCY CLASS IE3 MOTOR AS PER ITEM 007 OF SPECIFICATION TR10278P REV-01. : Quantity - 120 ±25 % Nos.</p> <p>ITEM#2:1800 LPM TRANSFORMER OIL PUMPS HAVING PREMIUM EFFICIENCY CLASS IE3 MOTOR AS PER ITEM 008 OF SPECIFICATION TR10278P REV 01 . : Quantity - 300 ±25 % Nos</p> <p>ITEM#3:4500 LPM TRANSFORMER OIL PUMPS HAVING PREMIUM EFFICIENCY CLASS IE3 MOTOR AS PER ITEM 009 OF SPECIFICATION TR10278P REV-01 : Quantity - 40 ±25 % Nos</p> |  |                        |
| <b>Sr. No.</b>     | <b>ELEMENTS</b>  | <b>Standards</b>  | <b>To be offered/confirmed by supplier</b> | <b>Remarks, if any</b> |
| 1                  | Online quotations are invited in Two Part Bid System (Techno-Commercial Bid – Part: 1 & Price Bid – Part: 2, separately) <b>for for entering into frame work agreement (rate contract) for procurement of TRANSFORMER OIL PUMP as per BHEL Enquiry specification.</b> A blank copy of price bid (without indicating price) should be kept in Techno commercial bid (Part -1) | To be followed  |  |                        |
| 2                  | Frame work agreement (FA) shall be valid for ordering up to 24 Months and for supply up to 27 Months from date of finalization of RC.  |   |  |                        |
| 3                  | Quantity of the equipment mentioned in Enquiry Sheet is tentative. Variation in quantity shall be ±25% for each item   |   |  |                        |
| 4                  | FRAMEWORK AGREEMENT QTY OF EACH ITEM SHALL BE SPLIT IN THE RATIO OF 65:35 BETWEEN TWO BIDDERS ONLY IF L-1 RATE (LANDED COST) IS ACCEPTED BY L-2. OTHERWISE SUBSEQUENTLY, L-3 AND SO ON WILL BE OFFERED L-1 RATE SEQUENTIALLY. IF L-1 RATE IS NOT ACCEPTED BY ANY OTHER SUCCESSIVE BIDDER THEN RC FOR THE WHOLE QUANTITY WILL BE FINALIZED WITH L-1 BIDDER).                  |   |  |                        |
| 5                  | Online tender in two part bid system should be submitted at <a href="https://eprocurebhel.co.in">https://eprocurebhel.co.in</a> . Late tender shall NOT be entertained.  | To be followed  |  |                        |
| 6                  | Offer should be exactly in accordance with attached technical specification enclosed with this enquiry. Any deviation shall be clearly brought-out.  | To be followed  |  |                        |
| 7                  | Inspection would be done by BY BHEL/TPIA/ CUSTOMER AT SUPPLIERS WORKS as per QAP: QC/TCB/QAP-BO/01 REV 04<br>Final Inspection & acceptance shall be done at destination after review of TC.<br><br>Material TC & Inspection report to be provided along with supply for SRV clearance & material acceptance.   |   |  |                        |
| 8                  | Vendor Qualifying Requirement (VQR) for Tender: Vendor qualification requirement shall be as per Annexure 1A attached with this tender.  |   |  |                        |
| 9                  | Suppliers should meet the qualifying requirement as mentioned in Annexure 1A. Offers from bidders not meeting the qualification requirements, shall be summarily rejected, and Part-II i.e. Price bid of such vendors will not be opened   |   |  |                        |

**Techno-Commercial Bid**  
(To be filled by supplier and submit with offer)

|                    |   |                 |  |
|--------------------|---|-----------------|--|
| <b>Tender No.</b>  | <b>E7263018R</b>  |                 |  |
| <b>Description</b> | <p>ITEM#1:2700 LPM TRANSFORMER OIL PUMPS HAVING PREMIUM EFFICIENCY CLASS IE3 MOTOR AS PER ITEM 007 OF SPECIFICATION TR10278P REV-01. : Quantity - 120 ±25 % Nos.</p> <p>ITEM#2:1800 LPM TRANSFORMER OIL PUMPS HAVING PREMIUM EFFICIENCY CLASS IE3 MOTOR AS PER ITEM 008 OF SPECIFICATION TR10278P REV 01 . : Quantity - 300 ±25 % Nos</p> <p>ITEM#3:4500 LPM TRANSFORMER OIL PUMPS HAVING PREMIUM EFFICIENCY CLASS IE3 MOTOR AS PER ITEM 009 OF SPECIFICATION TR10278P REV-01 : Quantity - 40 ±25 % Nos</p> |                 |  |
| <b>10</b>          | Quotation Reference & date  | As per supplier |  |
| <b>11</b>          | HSN / SAC code  | As per supplier |  |
| <b>12</b>          | Suppliers have to submit offer with compliance to GST .Please furnish the following details.  | As per supplier |  |
| <b>13</b>          | a) Type of Item (Supply/Trading/Services),  | As per supplier |  |
| <b>14</b>          | b) Input Tax Credit Applicable (Y/N),   | As per supplier |  |
| <b>15</b>          | c) GST Type (IGST/CGST+SGST/UGST),  | As per supplier |  |
| <b>16</b>          | d) HSN /SAC code  | As per supplier |  |
| <b>17</b>          | e) Applicable value/ rate of GST.   | As per supplier |  |
| <b>18</b>          | f) GSTIN No.  | As per supplier |  |
| <b>19</b>          | Quotation Currency  | In INR          |  |
| <b>20</b>          | E-Mail  | As per supplier |  |
| <b>21</b>          | Phone/Mobile  | As per supplier |  |
| <b>22</b>          | Contact Person  | As per supplier |  |
| <b>23</b>          | Order to be placed on   | As per supplier |  |
| <b>24</b>          | Address   | As per supplier |  |
| <b>25</b>          | Delivery proposed (Maximum No. of days from PO) : DELIVERY PERIOD SHALL BE 60 DAYS FOR FIRST LOT AND 60 DAYS FOR ALL SUCCESSIVE LOTS  | To be followed  |  |
| <b>26</b>          | Rate quoted on "Firm" price basis   | Yes             |  |

**Techno-Commercial Bid**  
(To be filled by supplier and submit with offer)

| Tender No.         | E7263018R   |   |  |
|--------------------|---|---|--|
| <b>Description</b> | <p>ITEM#1:2700 LPM TRANSFORMER OIL PUMPS HAVING PREMIUM EFFICIENCY CLASS IE3 MOTOR AS PER ITEM 007 OF SPECIFICATION TR10278P REV-01. : Quantity - 120 ±25 % Nos.</p> <p>ITEM#2:1800 LPM TRANSFORMER OIL PUMPS HAVING PREMIUM EFFICIENCY CLASS IE3 MOTOR AS PER ITEM 008 OF SPECIFICATION TR10278P REV 01 . : Quantity - 300 ±25 % Nos</p> <p>ITEM#3:4500 LPM TRANSFORMER OIL PUMPS HAVING PREMIUM EFFICIENCY CLASS IE3 MOTOR AS PER ITEM 009 OF SPECIFICATION TR10278P REV-01 : Quantity - 40 ±25 % Nos</p> |   |  |
| 27                 | Prices shall be quoted on FOR Destination basis up to BHEL Bhopal basis inclusive of P&F, freight & insurance charges.  | Yes (In case of "No" your offer may be rejected).   |  |
| 28                 | Evaluation shall be done on Item wise L1 basis  | Yes   |  |
| 29                 | <b>Place of Supply : BHEL Bhopal</b>  | Yes (In case of "No" your offer may be rejected).   |  |
| 30                 | Quoted for all the items of tender enquiry  | Yes / No. (If "No" please mention item number of regreted items)  |  |
| 31                 | Technical Specifications  | Accepted as per enquiry / Accepted with deviation (If select Accepted with deviation, please mention the deviation) |  |
| 32                 | Valid OEM authorization certificate is required , if the bidder is not OEM  | Yes (In case of "No" your offer may be rejected).   |  |
| 33                 | Brand Name, If any.   | As per supplier   |  |
| 34                 | Supply from   | As per supplier   |  |
| 35                 | Quotation Validity will be 120 days from the date of techno-commercial bid opening.   | Yes   |  |
| 36                 | Are you registered under MSMED ACT 2006 as small or micro. MSE Purchase preference is applicable as per act enforce for MSE vendors.  | Yes / No (If select Yes, please enclosed valid MSE certificate, UDYAM)  |  |
| 37                 | <p>Payment Terms : 100% Payment shall be made in X days after receipt of material subject to submission of all dispatch documents and acceptance of material at BHEL</p> <p>X shall be considered as:</p> <p>90 days for Non MSME vendors.</p> <p>45 days for MSE vendors.</p> <p>The above shall supersede any other payment term given in NIT contract</p>  |   |  |

**Techno-Commercial Bid**  
(To be filled by supplier and submit with offer)

|                    |   |  |  |
|--------------------|---|--|--|
| <b>Tender No.</b>  | <b>E7263018R</b>  |  |  |
| <b>Description</b> | <p>ITEM#1:2700 LPM TRANSFORMER OIL PUMPS HAVING PREMIUM EFFICIENCY CLASS IE3 MOTOR AS PER ITEM 007 OF SPECIFICATION TR10278P REV-01. : Quantity - 120 ±25 % Nos.</p> <p>ITEM#2:1800 LPM TRANSFORMER OIL PUMPS HAVING PREMIUM EFFICIENCY CLASS IE3 MOTOR AS PER ITEM 008 OF SPECIFICATION TR10278P REV 01 . : Quantity - 300 ±25 % Nos</p> <p>ITEM#3:4500 LPM TRANSFORMER OIL PUMPS HAVING PREMIUM EFFICIENCY CLASS IE3 MOTOR AS PER ITEM 009 OF SPECIFICATION TR10278P REV-01 : Quantity - 40 ±25 % Nos</p>   |  |  |
| 38                 | No "Advance Payment" Term will be accepted  |  |  |
| 39                 | Transit Insurance will be in supplier scope   | Yes  |  |
| 40                 | LD Penalty : Acceptable as per BHEL's Standard Terms and Conditions of Enquiry Form No. BP200102C   | Yes / No (In case of "No", your offer will be loaded suitably) |  |
| 41                 | General terms and conditions of enquiry (Form No. BP-200102C is Acceptable.   | Yes (In case of "No" your offer may be rejected).              |  |
| 42                 | You are manufacturer of quoted item (s).  | Yes / No   |  |
| 43                 | "For this procurement, the local content to categorize a supplier as a Class I local supplier/ Class II local Supplier/ Non local supplier and purchase preference to Class I local supplier, is as defined in Public Procurement (Preference to Make in India), Order 2017 dated 19.07.2024 issued by DPIIT. In case of subsequent orders issued by the nodal ministry, changing the definition of local content for the items of the NIT, the same shall be applicable even if issued after issue of this NIT, but before opening of Part-II bids against this NIT" . Please furnish the MII Certificate as per attached format |  |  |
| 44                 | GTE RESTRICTIONS SHALL BE APPLICABLE AS PER LATEST MAKE IN INDIA GUIDELINES ISSUED BY GOVT OF INDIA.  |  |  |
| 45                 | Warranty Period: The material shall be warranted as per BHEL's Standard Terms and Conditions of Enquiry Form No. BP200102C .  |  |  |
| 46                 | There would be no Reverse Auction, Reverse Auction shall NOT be conducted   |  |  |
| 47                 | The above terms and conditions shall be read in conjunction with BHEL's Standard Terms and Conditions of Enquiry Form No. BP200102C enclosed with enquiry. Wherever difference in terms & Conditions is there, the terms & conditions mentioned in this Annexure will prevail.  |  |  |

**Techno-Commercial Bid**  
(To be filled by supplier and submit with offer)

|                           |  |  |  |
|---------------------------|--|--|--|
| <p><b>Tender No.</b></p>  | <p><b>E7263018R</b></p>  |  |  |
| <p><b>Description</b></p> | <p>ITEM#1:2700 LPM TRANSFORMER OIL PUMPS HAVING PREMIUM EFFICIENCY CLASS IE3 MOTOR AS PER ITEM 007 OF SPECIFICATION TR10278P REV-01. : Quantity - 120 ±25 % Nos.</p> <p>ITEM#2:1800 LPM TRANSFORMER OIL PUMPS HAVING PREMIUM EFFICIENCY CLASS IE3 MOTOR AS PER ITEM 008 OF SPECIFICATION TR10278P REV 01 . : Quantity - 300 ±25 % Nos</p> <p>ITEM#3:4500 LPM TRANSFORMER OIL PUMPS HAVING PREMIUM EFFICIENCY CLASS IE3 MOTOR AS PER ITEM 009 OF SPECIFICATION TR10278P REV-01 : Quantity - 40 ±25 % Nos</p>  |  |  |
| <p>48</p>                 | <p>Conflict of Interest:A bidder shall not have conflict of interest with other bidders. Such conflict of interest can lead to anti-competitive practices to the detriment of Procuring Entity's interests. The bidder found to have a conflict of interest shall be disqualified. A bidder may be considered to have a conflict of interest with one or more parties in this bidding process, if: a) they have controlling partner (s) in common; or b) they receive or have received any direct or indirect subsidy/ financial stake from any of them; or c) they have the same legal representative/agent for purposes of this bid; or d) they have relationship with each other, directly or through common third parties, that puts them in a position to have access to information about or influence on the bid of another Bidder; or e) Bidder participates in more than one bid in this bidding process. Participation by a Bidder in more than one Bid will result in the disqualification of all bids in which the parties are involved. However, this does not limit the inclusion of the components/ sub-assembly/ Assemblies from. one bidding manufacturer in more than one bid;f) In cases of agents quoting in offshore procurements, on behalf of their principal manufacturers, one agent cannot represent two manufacturers or quote on their behalf in a particular tender enquiry. One manufacturer can also authorize only one agent/dealer. There can be only one bid from the following: 1. The principal manufacturer directly or through one Indian agent on his behalf; and 2. Indian/foreign agent on behalf of only one principal; or g) A Bidder or any of its affiliates participated as a consultant in the preparation of the design or technical specifications of the contract that is the subject of the Bid; or h) In case of a holding company having more than one independently manufacturing units, or more than one unit having common business ownership/management, only one unit should quote. Similar restrictions would apply to closely related sister companies. Bidders must proactively declare such sister/ common business/ management units in same/ similar line of business.</p> |  |  |

## **Declaration for Conflict of Interest**

The bidder notes that a conflict of interest would said to have occurred in the tender process and execution of the resultant contract, in case of any of the following situations:

- i) If its personnel have a close personal, financial, or business relationship with any personnel of BHEL who are directly or indirectly related to the procurement or execution process of the contract, which can affect the decision of BHEL directly or indirectly;
- ii) The bidder (or his allied firm) provided services for the need assessment/ procurement planning of the Tender process in which it is participating;
- iii) Procurement of goods directly from the manufacturers/ suppliers shall be preferred. However, if the OEM/ Principal insists on engaging the services of an agent, such agent shall not be allowed to represent more than one manufacturer/ supplier in the same tender. Moreover, either the agent could bid on behalf of the manufacturer/ supplier or the manufacturer/ supplier could bid directly but not both. In case bids are received from both the manufacturer/ supplier and the agent, bid received from the agent shall be ignored. However, this shall not debar more than one Authorised distributor (with/ or without the OEM) .from quoting equipment manufactured by an Original Equipment Manufacturer (OEM) in procurements under a Proprietary Article Certificate.
- iv) Bidder participates in more than one bid in this tender process. Participation in any capacity by a Bidder (including the participation of a Bidder as a partner/ JV member or sub-contractor in another bid or vice-versa) in more than one bid shall result in the disqualification of all bids in which he is a party. However, this does not limit the participation of an entity as a sub-contractor in more than one bid if he is not bidding independently in his own name or as a member of a JV.

I declare that have read and understood the above aspects, and confirm that such conflict of interest does not exist and undertake that I will not enter into any illegal or undisclosed agreement or understanding, whether formal or informal with other Bidder{s), in this regard. This applies in particular to prices, specifications, certifications, subsidiary contracts, submission or non-submission of bids or any other actions to restrict competitiveness or to introduce cartelization in the bidding process. In case, of having found of indulged in above activities, the same will be considered as a violation of the tender conditions, and suitable action shall be taken by BHEL as per extant policies/ guidelines.

Sign & Seal

Place

Date



BP 200102C

**BHARAT HEAVY ELECTRICALS LIMITED, BHOPAL  
GENERAL TERMS AND CONDITIONS OF ENQUIRY****TABLE OF CONTENTS**

| <u>Sl no</u> | <u>Description</u>   |
|--------------|--|
| <u>1</u>     | General  |
| <u>2</u>     | General Instructions - Common for Indigenous & Foreign enquiries                                     |
| <u>2.1</u>   | Through eProcurement   |
| 2.2          | Through tender room (Conventional tender)  |
| 2.3          | Through tender room or e- Procurement  |
| 3            | Delivery Term  |
| 3.1          | Indigenous Purchase  |
| 3.2          | Foreign Purchase — Imports   |
| 4            | Bidder's particulars & logistics information (Bidder to give details against each of the provisions) |
| 5            | Additional logistics information for Imports   |
| 6            | Delivery Schedule & Completion date  |
| 7            | Transit Insurance  |
| 8            | Force Majeure  |
| 9            | Penalty for Late Delivery  |
| 10           | Indian Agents and Agency commission  |
| 11           | Documentation:   |
| 11.1         | Indigenous Purchase  |
| 11.2         | Foreign Purchase — Imports   |
| 11.3         | General  |
| 12           | Pricing Terms  |
| 13           | Price Validity   |
| 14           | Taxes & Duties - Indigenous Purchase   |
| 15.          | Taxes & Duties - Foreign Purchase — Imports  |
| 16           | Payment Terms-   |
| 17           | Inspection of Goods  |
| 18           | Guarantee / Warranty and corresponding Repairs / Replacement of Goods                                |
| 19.1         | Evaluation and Loading Criteria:   |
| 20           | Variation of orders  |
| 21           | Sub-contract   |
| 22           | Recovery / deductions of amount from supplier  |
| 23           | Safety clause for purchase orders  |
| 24           | Non-Disclosure Agreement   |
| 25           | Settlement of Disputes & Arbitration   |
| 26           | Applicable Laws and Jurisdiction of Courts   |
| 27           | RIGHT OF REJECTION /NON- PLACEMENT OF PO:  |
| 28           | Performance Bank Guarantee (PBG)/ Security Deposit (SD):   |
| 29           | Benefits earmarked for Purchase from Micro & Small Enterprises (MSEs) –                              |
| 30           | Integrity Pact (IP) — Independent external monitors (IEM)  |
| 31           | Fraud Prevention Policy:   |
| 32           | Integrity Commitment:  |
| 33           | Public Procurement (Preference to Make in India), Order 2017   |
| 34           | RESTRICTION UNDER RULE 144 (xi) OF THE GENERAL FINANCIAL RULES 2017:                                 |
| 35           | Conflict of Interest:  |
| 36           | Breach of contract, Remedies and Termination   |
| 37           | Option clause:   |
| 38           | NOTE:  |
| 39           | Grievance Redressal Mechanism  |



BP 200102C

**BHARAT HEAVY ELECTRICALS LIMITED, BHOPAL  
GENERAL TERMS AND CONDITIONS OF ENQUIRY**

| Sl. No. | Description   |
|---------|---|
| 1       | <b>General:</b>   |
| 1.1     | <p>These General Terms &amp; Conditions (GTC) shall apply to all enquiries, notice inviting tenders, request for quotations concerning the supply of goods and / or rendering of services to Bharat Heavy Electricals Ltd., Bhopal (hereinafter referred to as BHEL or the Purchaser) or its Projects / Customers. Special / supplementary enquiry conditions, if any, will override the conditions in this annexure. In case of placement of order these conditions will become part of Purchase Order (PO) until unless the deviations are specifically agreed by BHEL.</p> <p>In case of any inconsistency, conflicts or contradiction among any of the contract documents, the interpretations will be based on the following order of precedence:</p> <ol style="list-style-type: none"><li>Amendments to Purchase Order/ Framework agreement</li><li>Purchase Order/ Framework Agreement</li><li>Letter of intent (LOI)/ Letter of Award (LOA)</li><li>Minutes of meeting or Clarifications agreed between Buyer and Seller as regards to the tender or the bidding conditions</li><li>Corrigenda to NIT, with those of later date having precedence over those of earlier date</li><li>Original NIT and annexures except documents listed in point no (vii) to (ix) below</li><li>Technical specifications including their annexures</li><li>Special Terms and condition of Enquiry (STC)</li><li>General Terms of Enquiry (GTC)</li></ol> |
| 2       | <b>General Instructions - Common for Indigenous &amp; Foreign enquiries</b>   |
| 2.1     | <b>Through eProcurement</b> <ol style="list-style-type: none"><li>Interested bidders / suppliers shall submit their offer through e-procurement mode at <a href="https://eprocurebhel.co.in/nicgep/app">https://eprocurebhel.co.in/nicgep/app</a></li><li>Offers in any other mode will not be accepted.</li><li>Procedure for submission of tender is available in the "Bidder Manual Kit" at e-tender portal <a href="https://eprocurebhel.co.in/">https://eprocurebhel.co.in/</a>.</li><li>In case of any difficulty faced while registering on BHEL's e-Procurement portal developed by NIC, queries may be addressed to 0120-4001002, 0120-4001005 and 0120-4493395 email: support- eproc@nic.in. These details are also available on Contact Us page of the portal.</li><li>Before uploading scanned documents if any, the bidders shall sign on all the statements, documents, certificates etc uploaded by him, owning responsibility for their correctness / authenticity.</li><li>Disclaimer clause: Neither the Organization (Bharat Heavy Electricals Ltd.) nor the service provider is responsible for any failure of submission of bids due to failure of internet or other connectivity problems or reasons thereof.</li></ol>   |
| 2.2     | <b>Through tender room (Conventional tender)</b>  |
| 2.2.1   | <p>Sealed bids are invited for scope of Supply / Services as detailed in the enquiry. Bid should be free from correction, overwriting, using of corrective fluid etc. Any interlineation, cutting, overwriting shall be valid only if they are attested under full signature(s) of persons signing the bid else shall be liable for rejection.</p> <p>All overwriting/ cutting etc. will be numbered by bid opening officials and announced during bid opening. The bid should be submitted in English or Hindi language. Relevant enclosures, supporting documents, catalogue, samples, if any, as required as per Notice Inviting Tender (NIT) conditions shall be sent along with technical offer. Rate should be quoted in the units asked for in the enquiry.</p>  |



BP 200102C

**BHARAT HEAVY ELECTRICALS LIMITED, BHOPAL  
GENERAL TERMS AND CONDITIONS OF ENQUIRY**

|       |  |
|-------|--|
| 2.2.2 | <p>Bids shall be submitted in a Sealed cover with Enquiry No., Due date and Bidder's name indicated on the cover. In case of Two-Part Bid, technical bid containing technical offer, this GTC duly filled-in &amp; signed; and <b>un-priced copy</b> of the Price Bid should be kept in one envelope. Price Bid containing only the price (as called for in the price format where required) should be kept in a separate envelope. Both envelopes indicating Part —I or Part-II as the case may be to be put in a bigger envelope, which should be addressed to in charge, Tender Room, Bharat Heavy Electricals Ltd. 2<sup>nd</sup> Floor, Jawahar Bhavan, Piplani, Bhopal 462022. Enquiry No., due date and bidder's name must be mentioned on all envelopes.</p> <p>Offer must reach tender room of BHEL Bhopal latest by 11.00 am IST on the enquiry due date.</p> <p>Bids submitted as single part bid against two – part bid, shall be rejected unless the offer is techno-commercially acceptable without seeking any clarification.</p> |
| 2.2.3 | <p>Offer received after 11.00 AM IST of the due date will be termed as "Late" and shall not be considered. However, late offer received against single tender enquiry may be considered.</p>   |
| 2.2.4 | <p>Bidder can also submit offer through email id mmtender.bpl@bhel.in or if called for in the enquiry, at the designated /authorized email address indicated in the enquiry. Such email offers shall be sent only on designated email-id to reach before 11.00 am IST on the tender due date. BHEL will not be responsible for incomplete offers and the ones delivered late through e-mail. Bidder shall have no claim on e-mail offers sent to any other e-mail ID. In case of e-mail offers, the mail subject should contain Enquiry Number, Due date and Bidder name. Bidder address including contact details shall be mentioned in the content of the mail. Without these details, the offer is liable for rejection. All techno commercial terms &amp; conditions mutually agreed prior to price bid opening shall prevail and supersede any terms and conditions specified otherwise in price bid.</p>   |
| 2.3   | <b>Through tender room or e- Procurement</b>   |
| 2.3.1 | <p>Commercial Conditions quoted by the bidder in any place including as stated in bidder's 'General Terms and Conditions' if any, shall not be binding on the Purchaser and the conditions contained in this annexure, including special conditions, if any, for this enquiry shall only prevail.</p>  |
| 2.3.2 | <p>Rate should be quoted in the units asked for in the enquiry. The rates should be quoted both in figures and words. In case of discrepancy in figures and words, the rates quoted in words shall be considered.</p>  |
| 2.3.3 | <p>The goods offered shall conform to BHEL specifications and / or National/International standards as mentioned in the Enquiry and the bidder is required to confirm his unconditional acceptance to the same. Bidders, seeking deviations from the specifications and any other conditions, may indicate the same clearly on a separate sheet indicating Sl. No. of the item, with reasons for such deviations. BHEL reserves the right to reject the offer with deviations or load the deviations suitably for evaluation.</p>  |
| 2.3.4 | <p>Offers shall be submitted directly by bidder or his authorized agent only. Unsolicited offers shall be summarily rejected.</p>  |
| 2.3.5 | <p>Bid in single part or techno-commercial bid in <b>two-part</b> system (as the case may be) will be opened on the due date. In case of two-part bid, price bids of techno-commercially accepted bidder(s) only shall be opened on the assigned date, for which separate intimation will be sent to the accepted bidders.</p>   |



BP 200102C

## BHARAT HEAVY ELECTRICALS LIMITED, BHOPAL GENERAL TERMS AND CONDITIONS OF ENQUIRY

|        |   |
|--------|---|
| 2.3.6  | <p>Whenever specified /called in special /additional /tender specific remakes of tender the Bid Security/ Earnest Money Deposit (EMD)] is to be submitted by bidders along with their bids (except Micro and Small Enterprises (MSEs) or Start-ups as recognized by Department for Promotion of Industry and Internal Trade (DPIIT)).</p> <p><u>Modes of deposit</u></p> <p>a) The EMD may be accepted only in the following forms:</p> <p>(i) Electronic Fund Transfer credited in BHEL account (before tender opening).</p> <p>(ii) Banker's cheque/ Pay order/ Demand draft, in favour of BHEL (along with offer).</p> <p>(iii) Fixed Deposit Receipt (FDR).</p> <p>(iv) Bank Guarantee from any of the Scheduled Banks.</p> <p>(v) Insurance Surety Bonds.</p> <p>b) In case the EMD is more than Rupees Two lakh and in case of foreign bidders, it may be in the form of a bank guarantee (in equivalent Foreign Exchange amount, in case of foreign bidders) issued/ confirmed from any of the scheduled commercial bank in India in an acceptable form. The EMD shall remain valid for a period of 45 (forty-five) days beyond the final bid validity period.</p> <p><u>Forfeiture of EMD</u></p> <p>(i) A bidder's EMD will be forfeited if the bidder withdraws or amends its/ his tender or impairs or derogates from the tender in any respect within the period of validity of the tender or if the successful bidder fails to furnish the required performance security within the specified period mentioned in the Tender.</p> <p>(ii) EMD by the tenderer to be withheld in case any action on the bidder is envisaged under the provisions of extant "Guidelines on Suspension of business dealings with suppliers/ contractors" and forfeited/ released based on the action as determined under these guidelines.</p> <p><u>Others Instructions</u></p> <p>(i) Bid securities of the unsuccessful bidders should be returned to them at the earliest after expiry of the final bid validity period and latest by the 30th day after the award of the contract. However, in case of two packet or two stage bidding, bid securities of unsuccessful bidders during first stage i.e. technical evaluation etc. will be returned within 30 days of declaration of result of first stage i.e. technical evaluation etc.</p> <p>(ii) Bid security will be refunded to the successful bidder on conclusion of the order/ receipt of a performance security (if called in the tender).</p> <p>(iii) EMD shall not carry any interest.</p> |
| 2.3.7  | <p>1.Any discount / revised offer submitted by a bidder on its own shall be considered, provided it is received on or before the due date and time of offer submission (Part-I). Conditional discounts shall not be considered for evaluation of tenders.</p> <p>2.Unsolicited discounts / revised offers given after Part-I bid opening shall not be accepted. No change in price will be permitted within the validity period of offer.</p> <p>3.In case of changes in scope and / or technical specification and / or commercial terms &amp; conditions, having price implication, techno-commercially acceptable bidders shall be asked by BHEL to submit the impact of such changes on their price bids. In case a bidder opts to submit revised price bid instead of impact called for, then latest price bid shall prevail. However, in both situations, original price bid will be necessarily opened.</p>  |
| 2.3.8  | <p>The bidders will submit Integrity Pact, duly signed by its authorized signatory, where called for in the enquiry.</p>  |
| 2.3.9  | <p>Unregistered suppliers, who are techno-commercially qualified against the open tender, are requested to register with BHEL-Bhopal as permanent supplier by submitting the Supplier Registration Form (SRF) in online supplier registration portal (<a href="https://supplier.bhel.in/">https://supplier.bhel.in/</a>). Un-registered vendors may be approved by BHEL, if found suitable, on the basis of data furnished by them in Supplier Registration Form (SRF) for Foreign Vendors or Indigenous Vendors (as applicable)</p>  |
| 2.3.10 | <p>BHEL expects that the bidder responds to the enquiry. Regret letter, with valid reasons for not participating in the tender will be submitted where the bidder is unable to submit offer. Repeated lack of response on the part of bidder may lead to his deletion from BHEL's approved bidder list. Refer guidelines for suspension of Business Dealings with Suppliers/Contractors available on <a href="https://www.bhel.com/sites/default/files/suspension_guidelines_abridged.pdf">https://www.bhel.com/sites/default/files/suspension_guidelines_abridged.pdf</a></p>  |
| 2.3.11 | <p>In case of open tenders (i.e. those published in website) all corrigenda, addenda, amendments, time extensions, clarifications etc. to the tender will be hosted on BHEL website. (<a href="https://bhel.com/tenders">https://bhel.com/tenders</a>) and additional in <a href="https://eprocurebhel.co.in/nicgep/app">https://eprocurebhel.co.in/nicgep/app</a> for e-procurement tenders. Bidders responding to these tenders should regularly visit website(s) to keep themselves updated.</p>   |



BP 200102C

**BHARAT HEAVY ELECTRICALS LIMITED, BHOPAL  
GENERAL TERMS AND CONDITIONS OF ENQUIRY**

|        |   |
|--------|---|
| 2.3.12 | In the course of evaluation, if more than one bidder happens to occupy L-1 status effective L-1 will be decided by soliciting discounts from the respective L-1 bidders in sealed envelope and will be open in tender room. In case more than one bidder happens to occupy the L-1 status even after soliciting discounts, the L-1 bidder shall be decided by a toss/ draw of lots, in presence of the respective L-1 bidders or their representatives. Ranking will be done accordingly. BHELs decision in such situations shall be final and binding.   |
| 2.3.13 | The Purchaser can consider awarding tendered quantities among more than one bidder (after acceptance of L1 price by the other bidders) in the manner and proportion disclosed in the tender conditions. Purchaser can also consider awarding of part of the tendered quantity to other than L-1 bidder at <b>L1</b> counter offered rates, if the quantity offered by the L-1 bidder is less than the quantity tendered for.  |
| 2.3.14 | The bidder shall submit price bid strictly in the price format, wherever provided for, in the enquiry. Any attempt on the part of the bidder to alter the contents of the price bid format in any manner, which in the opinion of BHEL can vitiate the tendering process, will lead to rejection of the bid, <b><i>besides BHEL taking appropriate punitive action as deemed fit.</i></b> -Refer Guidelines for suspension of Business Dealings with Suppliers/Contractors available on <a href="https://www.bhel.com/sites/default/files/suspension_guidelines_abridged.pdf">https://www.bhel.com/sites/default/files/suspension_guidelines_abridged.pdf</a>   |
| 2.4    | BHEL shall be resorting to Reverse Auction (RA) (Guidelines as available on <a href="http://www.bhel.com">www.bhel.com</a> ). If tender specific conditions call for reverse auction, RA shall be conducted among the techno-commercially qualified bidders. Price bids of all techno-commercially qualified bidders shall be opened and same shall be considered for RA. In case any bidder(s) do(es) not participate in online Reverse Auction, their sealed envelope price bid along with applicable loading, if any, shall be considered for ranking  |
| 2.5    | BHEL reserves the right to negotiate with L1 vendor or re-float the tender for items. BHEL reserves the right to decrease the tender quantity in case where negotiation is being held.  |
| 3      | <b>Delivery Terms</b>   |
| 3.1    | <b>Indigenous Purchase</b>  |
| 3.1.1  | Goods shall be delivered on 'FOR Destination' basis to the named destination unless otherwise called for in the enquiry.  |
| 3.2    | <b>Foreign Purchase — Imports</b>   |
| 3.2.1  | <ol style="list-style-type: none"><li>1. Goods shall be despatched by Sea, unless stated otherwise in the enquiry or purchase order.</li><li>2. Terms of Delivery for Sea shipment shall be on CFR / CIF basis with 14 days' detention free period preferably at Nhava Sheva (JNPT-INNSA1) for FCL (Full Container Load) Cargo of GP &amp; HC Containers.</li><li>3. For other cases - Other than GP &amp; HC Containers, LCL Cargo shall be delivered at Nhava Sheva (JNPT-INNSA1) &amp; Break-bulk Cargo at Mumbai (MPT - INBOM1).</li><li>4. For Air consignments, the terms of delivery shall be FCA at BHEL nominated Airport. In case of CIP, delivery shall be at Mumbai ACC (INBOM4).</li><li>5. Freight amount shall be indicated separately in the offer in case of CIP/CFR/CIF.</li><li>6. The number of detention free days and destination charges payable to shipping line must be mentioned in your offer and also on the Bill of Lading.</li><li>7. Offer received on FOB basis may be considered on an exceptional basis. BHEL will load freight, marine insurance &amp; shipping line port handling charges etc. to work out landed cost at Sea Port.</li><li>8. Please visit BHEL Bhopal website <a href="https://bpl.bhel.com">https://bpl.bhel.com</a> or refer special terms and conditions of tender enquiry for details of named Air ports and Sea ports. Name of the gateway port so chosen by the bidder shall be indicated by the Bidder in his offer.</li><li>9. A In case of CIP/CFR/CIF, the shipping line should be ready to move the containers to consignee's nominated CFS (Container Freight Station) yard and Indian agent of shipping line should issue Cargo Arrival Notice (CAN) 7 days in advance.</li><li>9b In case of CFR contract, bidder to supply the material through a Certified Sea worthy vessel age not more than <b>15</b> years.</li><li>9c The invoices being issued by shipping lines must be in the name of BHEL. Otherwise, BHEL will recover loss of Input Credit on GST from the vendor.</li><li>9d While booking the shipment, bidder to also finalize destination charges and the same should appear over BL or agreed tariff to be provided to BHEL before arrival of shipment.<br/>If cargo is stuffed in container, then the same should be allowed to be moved to CFS of importer's choice without any additional charges.</li></ol> |



BP 200102C

**BHARAT HEAVY ELECTRICALS LIMITED, BHOPAL  
GENERAL TERMS AND CONDITIONS OF ENQUIRY**

|       |   |
|-------|---|
|       | <p>9e Load port charges shall be settled by the supplier and not be passed on to BHEL in any form of destination charges.</p> <p>10. For reasons of delay in receipt of documents from suppliers or due to the same being found to be incomplete, and or faulty, the suppliers shall be responsible to reimburse all penalties, detention and demurrages / wharfages, if any paid by BHEL (for stated reasons).</p>   |
| 3.2.2 | <p>1. For delivery of FCL (Full Container Load) cargo, the Bidder shall provide minimum <b>14 days' detention free period</b> from the date of delivery at Port of Discharge / Place of Delivery (in case of ICD). Wherever the detention free period offered is less than 14 days, the bids shall be <b>loaded</b> for the period short of 14 days' period.</p> <p>2. <u>Port Congestion charges or any additional charges claimed by the shipping line at Port of Discharge / Place of Delivery shall be to the Bidder's account.</u></p>   |
| 4     | <b>Bidder's particulars &amp; logistics information (Bidder to give details against each of the provisions)</b>   |
| 4.1   | Name of the bidder's executive to deal with this tender / project   |
| 4.2   | E-mail address of the contact person  |
| 4.3   | Telephone no. of the contact person   |
| 4.4   | Name of location from where the goods shall be offered for inspection and dispatch  |
| 5     | <b>Additional logistics information for Imports</b>   |
| 5.1   | Bid currency  |
| 5.2   | Charges applicable at discharge port up to BHEL's CFS (Container Freight Station) to be indicated in your offer and on the B/L  |
| 5.3   | Name of Airport in the country of dispatch for FCA delivery terms   |
| 5.4   | Estimated number, type & size of containers for delivery of tendered quantity (applicable where the goods are to be sent in FCL)  |
| 5.5   | No. of packages with cumulative gross weight and CBM volume (applicable for LCL & Break-bulk shipment)  |
| 5.6   | Approx. distance in km. from Bidder's works to Port of Loading  |
| 6     | <b>Delivery Schedule &amp; Completion date</b>  |
| 6.1   | <p>i. Instead of writing specific date against delivery offered, bidder shall commit delivery period in number of days / weeks/ months to suit the delivery period indicated in the enquiry.</p> <p>ii. Commencement of delivery period shall be reckoned from the date of PO / LOI or any other agreed milestone.</p> <p>iii. Bidder shall deliver the goods in the manner and schedule agreed under the Purchase order. iv. Goods shall be delivered within contractual period or any extension thereof, if any, granted by the Purchaser.</p> <p>v. If delivery is linked to approval of documents, time for submission of such documents to be indicated and delivery period to be indicated from approval of documents. This delivery schedule will be considered for processing delivery extension, wherever applicable.</p> <p>vi. BHEL reserves the right to cancel the order if material is not delivered within PO scheduled delivery.</p> <p>vii. Suitable action against defaulting vendor will be taken as per Guidelines for suspension of Business Dealings with</p> <p>Suppliers/Contractors available on <a href="https://bhel.com/guidelines-suspension-business-dealings-supplierscontractors">https://bhel.com/guidelines-suspension-business-dealings-supplierscontractors</a></p> |



BP 200102C

**BHARAT HEAVY ELECTRICALS LIMITED, BHOPAL  
GENERAL TERMS AND CONDITIONS OF ENQUIRY**

|     |  |
|-----|--|
| 6.2 | In case of foreign supplies, the date of Bill of Lading (B/L) or AWB shall be taken as actual date of delivery where freight until discharge port in India is in Seller's scope like CFR/CIF/CIP delivery terms.<br>For Ex-works/FCA/FOB or any other delivery term where freight is in buyer's scope, date of material readiness /Test certificate/ Warehouse receipt/Freight forwarder receipt may be considered as actual date of delivery (mutually agreed).   |
| 6.3 | In case of Indigenous bidders, the date of delivery at named destination in India shall be taken as contractual delivery completion date where delivery terms are FOR destination. In case of 'Ex-works' delivery terms, the date of LR / RR shall be the contractual delivery completion date.  |
| 7   | <b>Transit Insurance</b>   |
| 7.1 | Except where delivery terms are agreed on CIF basis for Imports & FOR destination basis for indigenous purchases, transit insurance will be covered by BHEL under its Open Marine Transit Insurance Policy. Bidder shall inform dispatch particulars with value of consignment to the Purchaser within 07 days of dispatch for BHEL to arrange insurance coverage in its policy. Failure on the part of bidder to inform dispatch particulars will make him liable to pay for any transit damages / losses suffered by the Purchaser.  |
| 8   | <b>Force Majeure</b>   |
| 8.1 | "Force Majeure" shall mean circumstance which is:<br>a) beyond control of either of the parties to contract,<br>b) either of the parties could not reasonably have provided against the event before entering into the contract,<br>c) having arisen, either of the parties could not reasonably have avoided or overcome, and<br>d) is not substantially attributable to either of the parties And<br>Prevents the performance of the contract,<br><br>Such circumstances include but shall not be limited to:<br>i) War, hostilities, invasion, act of foreign enemies.<br>ii) Rebellion, terrorism, revolution, insurrection, military or usurped power, or civil war.<br>iii) Riot, commotion or disorder by persons other than the contractor's personnel and other employees of the contractor and sub-contractors.<br>iv) Strike or lockout not solely involving the contractor's personnel and other employees of the contractor and sub-contractors.<br>v) Encountering munitions of war, explosive materials, ionizing radiation or contamination by radio-activity, except as may be attributable to the contractor's use of such munitions, explosives, radiation or radio- activity.<br>vi) Natural catastrophes such as earthquake, tsunami, volcanic activity, hurricane or typhoon, flood, fire, cyclones etc.<br>vii) Epidemic, pandemic etc. |
| 8.2 | The following events are explicitly excluded from Force Majeure and are solely the responsibilities of the non-performing party: a) any strike, work-to-rule action, go-slow or similar labour difficulty (b) late delivery of equipment or material (unless caused by Force Majeure event) and (c) economic hardship.   |
| 8.3 | If either party is prevented, hindered or delayed from or in performing any of its obligations under the Contract by an event of Force Majeure, then it shall notify the other in writing of the occurrence of such event and the circumstances thereof within 15 (fifteen) days after the occurrence of such event.   |
| 8.4 | The party who has given such notice shall be excused from the performance or punctual performance of its obligations under the Contract for so long as the relevant event of Force Majeure continues and to the extent that such party's performance is prevented, hindered or delayed. The Time for Completion shall be extended by a period of time equal to period of delay caused due to such Force Majeure event.   |
| 8.5 | Delay or non-performance by either party hereto caused by the occurrence of any event of Force Majeure shall not<br>i) Constitute a default or breach of the Contract.<br>ii) Give rise to any claim for damages or additional cost expense occasioned thereby, if and to the extent that such delay or non-performance is caused by the occurrence of an event of Force Majeure.  |



BP 200102C

**BHARAT HEAVY ELECTRICALS LIMITED, BHOPAL**  
**GENERAL TERMS AND CONDITIONS OF ENQUIRY**

|       |   |
|-------|---|
| 8.6   | BHEL at its discretion may consider short closure of contract after 1 year of imposition of Force Majeure in line with extant guidelines. In any case, Supplier/Vendor cannot consider deemed short-closure after 1 year of imposition of Force Majeure   |
| 9     | <b>Penalty for Late Delivery</b>  |
| 9.1.1 | Unless covered under Force Majeure conditions aforesaid, Penalty for late delivery shall be 0.5% of the undelivered portion per week of delay or part thereof, subject to a maximum of 10% of the undelivered order value owing to delayed delivery.<br>Total undelivered order value above shall be item wise, lot wise order value of PO.<br>Any deviation from above, which is based on specific requirement/LD clause, shall be specified in particular tender /Special terms and condition (STC) /Additional terms and conditions (ATC) and same shall have overriding effect on anything mentioned in instant GTC.<br>Imposition, recovery or settlement of this penalty shall not adversely affect BHEL's right to performance, compensation and termination of the order. |
| 9.1.2 | However, in case of Capital Machine / BOP (Balance of plant) where staggered deliveries may be applicable, the penalty will be levied on total order value. Any deviation based on specific requirement shall be specified separately in the NIT/STC/ATC.<br>In case of Capital items /Balance of plant (BOP) item where services of installation /erecting & commissioning /supervision are desired with supply (Milestone delivery terms), the LD clause will be separately mentioned in particular tender /Special terms and condition (STC) /Additional terms and conditions (ATC)  |
| 9.1.3 | In case of any amendment / revision, the penalty shall be linked to the amended / revised PO.   |
| 9.1.4 | Any loading on penalty clause shall be to the extent to which it is not agreed to by the bidder (at offered value)  |
| 9.2   | In case the contractually agreed delivery date falls on a holiday in BHEL Bhopal, the next working day shall be taken as contractual delivery date for compliance and applicability of LD / penalty.  |
| 9.3   | In case of any recovery for delayed performance, the applicable GST shall also be recoverable from bidders.   |
| 10    | <b>Indian Agents and Agency commission</b>  |
| 10.1  | BHEL prefers to deal directly with Foreign bidder, wherever required, for procurement of Goods. However, if the Foreign Principal desires to avail services of an Indian Agent, then the Principal should ensure compliance to "regulatory guidelines" which will require submission of an agency agreement.  |
| 10.2  | The CFR / CIF price quoted will be deemed to be inclusive of Indian Agency commission. Agency commission as disclosed by the bidder in his quoted CFR / CIF price will be paid in Indian Rupees on receipt & acceptance of Materials or it's installation at destination, as the case may be. The lower of the 'TT buying rate prevailing on the date of technical bid opening or price bid opening shall be considered for computation of Agency commission.   |
| 10.3  | In a tender either the Indian Agent on behalf of Principal / OEM or the Principal / OEM itself can bid, but both cannot bid simultaneously for same item / product in the same Tender. In case bids are received from both the Principal / OEM and the agent, bid received from the agent will be ignored.  |
| 10.4  | If an agent submits Bid on behalf of the Principal / OEM, the same agent shall not submit bid on behalf of another Principal / OEM in the Tender, for the same Item / Product.  |
| 11    | <b>Documentation:</b>   |
| 11.1  | <b>Indigenous Purchase</b><br>Irrespective of the value of the invoice amount, the bidder / vendor should mandatorily upload the despatch & invoice details on BHEL SUVIDHA portal at <a href="https://savidha.bhel.in/savidha/">https://savidha.bhel.in/savidha/</a> or <a href="https://bpl.bhel.com/mm/">https://bpl.bhel.com/mm/</a> prior to despatch.<br>Bidder shall arrange to send to the consignee following documents immediately on despatch of the goods for GST compliance:   |



BP 200102C

## BHARAT HEAVY ELECTRICALS LIMITED, BHOPAL GENERAL TERMS AND CONDITIONS OF ENQUIRY

- 1) Original Tax invoice in triplicate (Buyer's copy and duplicate for Transporter),
- 2) Consignee copy of LR & 2 sets each of Packing list,
- 3) Test certificate, Guarantee / Warranty certificate,
- 4) O & M manuals (where applicable)
- 5) In case of labour / mixed basis jobs, material is issued free of cost. Necessary material reconciliation is to be done and Free Issue Material Statement (FIMS) is to be submitted with each bill.
- 6) Pre-dispatch Inspection report /Third Party Inspection Certificates/MDCC certificate
- 7) Any other documents as specified in Enquiry /PO /STC/ATC of enquiry /annexure

The distribution of such documents will be specified in the Purchase order Terms and Conditions (BP 205315 for indigenous and BP205316 for Imported Purchases)

\*Note: All documents as per PO checklist, along with additional documents (if any), must be uploaded on the portal. It is mandatory that tax invoices with a net amount (including taxes) exceeding ₹ 5 lakhs uploaded on the portal are digitally signed using a Class 3 Digital Signature Certificate (DSC) issued by a licensed Certifying Authority. For invoices up to ₹ 5 lakhs, (inclusive of taxes), a scanned copy may be uploaded; however, submission of hard copy is mandatory if a class 3 digitally signed tax invoice is not uploaded.

**Foreign Purchase — Imports** Seller shall send 1 set of following documents, in English, within 7 days of B/L date / 1 day of AWB date by courier to the Purchaser

1. Express / Original 'Clean on board' Bill of Lading / AWB.
2. One set of Commercial Invoice, packing list indicating container-wise Gross weight, Net weight, CBM volume, No. of packages with Dimensions of each package.
3. Original Certificate of Country of Origin (COO) issued by Chamber of Commerce. COO shall be as per requisite format where duty concession is available under Preferential Trade/Comprehensive Economic Partnership/Free Trade agreement. Customs tariff heading (CTH)/ Harmonized System of Nomenclature (HSN) code of material should be mentioned on invoice and COO in all such cases.
4. One set of Original Test Certificates and O&M Manual where called for.
5. Fumigation / Phyto-Sanitary Certificate wherever cargo is packed in wooden packing or packing of plant origin material is used.
6. Supplier should additionally forward 2 sets of original documents mentioned at point nos. 1 to 5 above along with Original Bill of Lading (OBL) or AWB through any international courier service/registered airmail within three (3) days of obtaining the same directly to the following:

AGM (M.S)  
Regional Operations Division BHEL  
14<sup>th</sup> Floor Centre-1  
World Trade Centre, Cuffe Parade  
Mumbai 400 005 INDIA  
Email: [msseabpl@bhel.in](mailto:msseabpl@bhel.in) (In case of Sea freight) [msair@bhel.in](mailto:msair@bhel.in) (In case of Air freight)

DGM (FIN- FP)  
4<sup>th</sup> Floor, Administrative Bldg.  
BHEL Bhopal - 462022 (India)  
E-mail: [fin\\_fp.bpl@bhel.in](mailto:fin_fp.bpl@bhel.in)

- And confirm forwarding details to AGM (CMM- FE), BHEL Bhopal at [mmfe.bpl@bhel.in](mailto:mmfe.bpl@bhel.in)
7. In case the Seller decides to negotiate all 3 originals of B/L / AWB along with all original documents through negotiating Bank, non-negotiable documents (NNDs) consisting of copy of B/L / AWB & documents mentioned at Sl. no. 11- B2 to B5 will be sent by e-mail to the Purchaser at his e-mail address given in the PO with one copy to be mailed at [mmfe.bpl@bhel.in](mailto:mmfe.bpl@bhel.in) as well as at [msseabpl@bhel.in](mailto:msseabpl@bhel.in) (for Sea shipment) or [msair@bhel.in](mailto:msair@bhel.in) (for Air shipment). Other documents, as required, will be separately indicated in the Purchase Order. Additional expenditure, if any, incurred by the Purchaser by way of detention / demurrage, resulting out of delay attributable to the Seller in providing Negotiable documents, will be recovered from the Seller.

In case any discrepancy is raised by the Bankers / BHEL with respect to the documents submitted, vendor to facilitate clearance of goods through Delivery Order.

Additionally, following requirements to be taken care of by the bidder during PO execution stage:

11.2



BP 200102C

**BHARAT HEAVY ELECTRICALS LIMITED, BHOPAL**  
**GENERAL TERMS AND CONDITIONS OF ENQUIRY**

|      |  |
|------|--|
|      | <p>i) <b>IEC (0588138690), (BHEL BHOPAL GSTIN: 23AAACB4146P1ZN)</b> and email ID (<b>mmfe.bpl@bhel.in</b>) of BHEL Bhopal shall be clearly mentioned on B/L or AWB.</p> <p>ii) As per Uniform Customs Practice (UCP 600) for documentary credits (L/C), presentation period allowed is maximum 21 days after the date of shipment. However, for geographically closer ports where sea voyage time is less than 3-4 weeks, a shorter presentation period shall be agreed upon.</p> <p>iii) In case of CAD payment terms, Supplier shall send documents to BHEL's bank within 5 days of shipment. One set of original may be sent to any one of ROD, CMM-FE and MM, copy may be marked to the others.</p> <p>iv) For Air shipments through non-CONSOL (i.e., not through BHEL ROD's contract), Delivery Order (DO) should be given to BHEL without insisting for Bank Release Order (BRO). AWB to be drawn with BHEL Bhopal as consignee.</p> <p>v) It must be ensured that original shipping/commercial documents, if not provided to BHEL outside banking channel, should reach BHEL's bank at least 10 days prior to cargo arrival at port.</p> <p>vi) Part shipment and trans-shipment to be avoided to the extent possible especially where it is not possible to split shipping &amp; commercial documents. Part shipment shall be strictly avoided for Air shipments.</p> |
| 11.3 | <b>General</b>   |
|      | <ol style="list-style-type: none"><li>1. For Hazardous chemicals, the materials safety data sheet (MSDS) is to be submitted.</li><li>2. All certificates as called must be sent. BHEL may test any goods supplied and their decision is final irrespective of supplier's certificates. If test certificate and guarantee certificate are not received along with the document and stipulated in these specifications, BHEL reserves the right to get the material tested and recover the expenses from the supplier without awaiting supplier's confirmation</li><li>3. Goods shall be properly packed to avoid transit damage. Suitable markings shall be provided to identify the goods with that of the PO No. and the consignee details.</li><li>4. Goods shall be consigned to AGM (CRX), BHEL, Piplani, Bhopal - 462022, India, unless otherwise specified in the PO.</li></ol>  |
| 12   | <b>Pricing Terms</b>   |
| 12.1 | Prices once quoted shall remain firm within the validity or any extension thereof for placement of order, till complete execution of the order, without any escalation/increase for any reason, whatsoever, unless specifically provided for in the Enquiry & PO. In case of foreign bidders, the quoted price shall be taken as inclusive of Third-Party Inspection and testing charges as called for in the NIT.   |
| 13   | <b>Price Validity:</b>   |
| 13.1 | Unless stated otherwise in the enquiry, offer shall be valid for a period of 90 days from the date of Techno-commercial (Part-I) bid opening date.   |
| 14   | <b>Taxes &amp; Duties - Indigenous Purchase</b>  |
| 14.1 | Bidder to ensure timely remittance of SGST, CGST, IGST as applicable in time as per law.<br>BHEL BHOPAL GSTIN: 23AAACB4146P1ZN   |
| 14.2 | Bidder to ensure compliance to filing of monthly GST sales return including BHELs supplies by 10 <sup>th</sup> of next calendar month in the online GST portal wherever applicable.  |
| 14.3 | Bidders to declare filing of timely returns and GST remittance/likely remittance /ITC adjustment along with invoice.   |
| 14.4 | Bidder to submit invoices compliant with GST invoice Rules   |
| 14.5 | Bidders to comply with all statutory provisions as may be applicable at the time of despatch/sale. Any additional financial liability to BHEL on account of non-compliance by bidders shall be borne by them and shall be adjusted / recovered from the bidders. BHEL reserves the right to review the existing offers / contracts for any revision in terms, which may arise due to change in any statutory provisions to ensure that the benefit accrues to BHEL.  |
| 14.6 | Bidder to ensure TAX INVOICE submission along with consignment   |
| 14.7 | In respect of cases where the liability to discharge GST is on BHEL under reverse charge mechanism, bidders have to ensure timely submission of invoices and delivery of material / services to BHEL, so that there is no mismatch on both activities. In case there is any additional financial liability on BHEL on account of default on the part of the bidder on submission or delivery of material / services the same shall be passed on to them.   |



BP 200102C

**BHARAT HEAVY ELECTRICALS LIMITED, BHOPAL  
GENERAL TERMS AND CONDITIONS OF ENQUIRY**

|       |  |
|-------|--|
| 14.8  | Vendors who fall under the E-Invoice regulations shall issue e-invoice in line with Rule 48(4) of CGST Rules read along with latest extant rules, failing which GST amount will not be reimbursed to the vendor.   |
| 14.9  | In respect of free issue material by BHEL, bidders have to return the processed material within the time line as per the provisions of GST. In case of any additional tax liability on BHEL on account of non-compliance by the bidder, the additional financial implications on BHEL shall be passed on to the bidder   |
| 14.10 | Bidders to provide the applicable HSN / SAC codes as called for in the enquiry   |
| 14.11 | As per provisions of section 171 of the CGST Act 2017, bidders to pass on the anti-profiteering benefits accruing to them under GST regime to BHEL   |
| 14.12 | With reference to section 51 of CGST act 2017 read with notification no 50/2018 – Central tax dated 13.09.2018; BHEL will be liable to deduct TDS under GST with effect from 01.10.2018. Deduction shall be made @ 2% (1% CGST + 1% SGST) or 2% IGST (as applicable) of the payment made or the amount credited. Bidder to generate & submit invoices as per above.<br>The amount of TDS shall be deposited to the Government account and BHEL shall issue TDS certificate to deductees, TDS deposited in the Government account will be reflected in the electronic cash ledger of the deductee who will be able to use the same for payment of tax or any other amount.<br>Deduction of TCS along with additional TDS will be as per prevailing Government guidelines. |
| 15.   | <b>Taxes &amp; Duties - Foreign Purchase — Imports</b>   |
| 15.1  | The offered prices shall be inclusive of all the Taxes and duties as applicable in the country of bidder / country of dispatch for the quoted CFR / CIF price.   |
| 16    | <b>Payment Terms-</b>  |
| 16.1  | <b>Indigenous:</b> 100% payment in 90 days of receipt (45 days for Micro & Small and 60 days for Medium enterprises as registered in Udyam certificate as per relevant MSME act in force) and subject to acceptance of material and relevant documents at BHEL. In case of despatch of material to site directly, site certification for receipt of materials is required unless otherwise provided for in the PO. Any deviation from the above payment terms, if accepted (by BHEL), shall be loaded @ "Repo Rate + 4%" for the purpose of bid evaluation.  |
| 16.2  | <b>Foreign:</b> 100% against irrevocable, unconfirmed LC, payable within 90 days of the Bill of Lading (B/L) date or Payment terms of CAD payable on 90 <sup>th</sup> day of B/L / AWB. In case BHEL considers any deviation in payment terms i.e. early payment based on bidder's request, then bids shall be evaluated with loading @ "Repo Rate + 4%", for the credit period short of 90 days. The LC shall be established 2 months prior to shipment date, valid for period of 90 days, unless agreed otherwise.<br>Documents to be submitted as per UCP600 and should reach BHEL/ BHEL's bank at least 7 days prior to vessel arrival.  |
| 16.3  | Staggered Payment terms in case of Capital items /Balance of plant (BOP) item where services of installation /erecting & commissioning /supervision are desired with supply of items /goods will be separately mentioned in particular tender remarks /Special terms & condition /Additional terms and condition   |
| 16.4  | Foreign bidders to submit declaration of <b>Permanent Establishment and Business Connection (PEBC)</b> for remittances purpose. Declaration to be submitted in formats either in Annexure A or B whichever is applicable as per their transaction entered into with BHEL.<br>In the absence of certificates from the bidder, withholding tax at applicable rates along with surcharge and cess will be recovered at the time of remittance to the bidder.  |
| 16.5  | Foreign bidders to submit <b>Tax Residency Certificate (TRC) &amp; Form 10F</b> (for obtaining DTAA benefits) as per Annexure C in respect of services. The TRC is to be issued by the authorities of the government of bidder's country. If the informative part of the format (other than residency) is not furnished by the authorities the same may be furnished by the bidder as a declaration.   |
| 16.6  | BHEL Bhopal is registered with (TReDS) platform. MSME bidders are requested to get registered with (TReDS) platform to avail the facility as per the GOI guidelines.   |
| 17    | <b>Inspection of Goods</b>   |
| 17.1  | The Bidder shall give adequate notice, of 1 week or as mutually agreed period, in writing to the Purchaser (in case Customer inspection is involved) or BHEL appointed TPIA about the date and place at which the goods will be ready for inspection/ testing, as provided for in the contract.  |



BP 200102C

**BHARAT HEAVY ELECTRICALS LIMITED, BHOPAL**  
**GENERAL TERMS AND CONDITIONS OF ENQUIRY**

|      |  |
|------|--|
| 17.2 | <p>Purchaser or his authorized representative shall be entitled to carry out inspection of material and workmanship/Surveillance Audit at Bidder's premises or at his sub-contractor's premises at all reasonable times during execution of contract; Such inspection, examination and testing, if made, shall not absolve the Bidder from his obligations under the contract.</p> <p>Wherever required, BHEL may carry out testing at BHEL's testing Lab and in case of any rejection during such testing, replacement / rectification, as required, will have to be done by Supplier.</p> <p>If BHEL carries out any rectification of such rejected material, such cost will be recovered from Supplier's Bills.</p> <p>In case of Customer inspection as Supplier's Works, inspection clearance to be obtained from Customer and submitted to BHEL.</p>   |
| 17.3 | <p>BHEL's representative from unit or Corporate Quality (CQ) is authorised to carry out audits along with TPIA at bidder's works before clearing the items for despatch.</p>   |
| 17.4 | <p>All costs related to inspections and re-inspections shall be borne by the Bidder. In case of inspection by BHEL and / or BHEL's customer, the cost of to &amp; fro passage and Boarding &amp; Lodging shall be borne by the Purchaser / Customer, unless otherwise specifically agreed. In case of foreign bidders, the cost of third-party inspection, where called for, shall be deemed to be included in the quoted price. Bidder shall be responsible to provide assistance such as labour, materials, electricity, fuels, stores, apparatus, instruments at his cost, as may be required and as may be reasonably demanded to carry out such tests effectively.</p>  |
| 17.5 | <p><b>REJECTION:</b><br/>If any goods are rejected, BHEL shall be at liberty to take action as per following:</p> <p>a) Allow the supplier, wherever mutually agreed, to rectify the rejected goods at BHEL's works within reasonable time as fixed by BHEL.</p> <p style="text-align: center;">Or</p> <p>b) Allow the supplier to make free replacement within a specified period. Rejected goods can be lifted by the supplier thereafter.</p> <p style="text-align: center;">Or</p> <p>c) In case payment has been done, allow supplier to refund equivalent value of rejected material by NEFT / RTGS or furnish Bank Guarantee for same amount before lifting the rejected goods. Fresh replacement shall be regulated as per terms and condition of the original Purchase Order. In case payment has not been done, at instructions from BHEL, supplier has to rectify the rejected goods at supplier's works within reasonable time as fixed by BHEL.</p> <p style="text-align: center;">Or</p> <p>d) Terminate the contract either in part or in whole at the discretion of BHEL and invoke Breach of Contract clause, if any, from the supplier.</p> <p style="text-align: center;">Or</p> <p>e) Any goods rejected by BHEL must be removed by the supplier after making payment through NEFT / RTGS within 30 days after receipt of the intimation of rejection. If bidder fails to lift or allow despatch of rejected material at his cost within 90 days from the intimation of rejection, his claim on rejected material shall cease.</p> <p style="text-align: center;">Or</p> <p>f) In exceptional cases, allow the supplier for one-time replacement of defective items (quantity) within reasonable time.</p> |
| 18   | <b>Guarantee / Warranty and corresponding Repairs / Replacement of Goods</b>   |



BP 200102C

**BHARAT HEAVY ELECTRICALS LIMITED, BHOPAL  
GENERAL TERMS AND CONDITIONS OF ENQUIRY**

|        |   |
|--------|---|
| 18.1   | <p>Manufacturer's works test/inspection certificates shall be furnished along with the guarantee that material conforms strictly to the specification for general &amp; special conditions as laid down in the purchase order. Goods shall comply with the specifications for material, workmanship and performance. The warranty shall be for a period of 12 months from the date of receipt. If the delivery is found non-compliant during the warranty period, leading to rejection, the Bidder shall arrange free replacement / repair of goods, within one month from the date of intimation or any mutually agreed period. The rejected goods shall be taken away by the Bidder at his cost and replaced on Delivered Duty Paid (DDP) (FOR - BHEL Stores/ designated destination basis) within such period. In the event of the Bidder's failure to comply, Purchaser may take action as appropriate, including Repair / Replenish rejected goods &amp; disposal of rejections, at the risk &amp; cost of the Bidder.</p> <p>In case the defects attributable to Bidder are detected during processing of the goods at purchaser's / his subcontractor's works, the Bidder shall be responsible for free replacement/ repair of the goods as required by the purchaser.</p>   |
| 19     | <p>NOTE: Deviations (Commercial as well as Technical) from the tender specifications and conditions are generally not acceptable. However, deviation if any, shall be brought out clearly with proper justification in the offer. The deviation, if considered by BHEL shall be loaded for comparison, while evaluating the offer. If a bidder unconditionally withdraws any deviation before price bid opening, the same shall not be loaded. Loading criteria in respect of major commercial conditions where deviations if any are accepted shall be as per clause No.19.</p>  |
| 19.1   | <b>Evaluation and Loading Criteria:</b>   |
| 19.1.1 | <p>The evaluation currency for this tender shall be INR.</p> <p>Evaluation of the tender shall be on the basis of delivered cost, i.e. 'Total Cost to BHEL/Landed cost to BHEL' w.r.t the technical scope and commercial conditions finalized after techno-commercial clarifications (after considering, inter alia, Customs Duty and GST / Other taxes as applicable). Exchange rate (TT selling rate of State Bank of India) applicable on the date of Part-I bid opening shall be considered for evaluation of foreign bids. If the relevant day happens to be a bank holiday in India, then the FOREX rate as on the previous bank working day shall be taken for evaluation.</p> <p>Foreign suppliers shall ensure that the benefits as applicable under Comprehensive Economic Partnership Agreement (CEPA) with Government of India are disclosed in the bid &amp; relevant documents such as Certificate of Country of Origin, issued by the appropriate authority in the country of Export, is provided by the bidder along with dispatch documents.</p> <p>Bids shall be evaluated with such applicable benefits. In the event of Bidder failing to provide appropriate documents for Purchaser to avail disclosed concessional duty benefits in India, financial loss, so incurred, will be to the Bidder's account.</p> |
| 19.1.2 | <p>Common Loading factors (in case of deviation quoted by bidders)</p> <p><b>INDIGENOUS</b></p> <ol style="list-style-type: none"><li>1) Deviation quoted in delivery terms in EX works against FOR destination: In case BHEL accepts the EX-Works prices, such offers will be suitably loaded with actual freight charges as per BHEL freight rate contract.</li><li>2) Loading (if any) in case of deviation in delivery period in delivery non- sensitive contracts will be declared separately in STC/ATC of particular tenders.</li></ol> <p><b>IMPORTS</b></p> <ol style="list-style-type: none"><li>1) Offer received on FOB/FCA basis may be considered on an exceptional basis. BHEL will load freight, marine insurance &amp; shipping line port handling charges etc. to work out landed cost at Sea Port.</li><li>2) Import duty, Taxes and duties as applicable on the date of Part-I bid opening.</li></ol> <p><b>COMMON LOADING FOR IMPORTS &amp; INDIGENOUS that will be added for arriving the "Total Cost to BHEL"</b></p> <p>A. Loading on Deviated Penalty clause (LD) as per clause 9.1.14 of GTC</p> <p>B. Loading for payment terms as per clause 16.1 of GTC</p>  |
| 20     | <b>Variation of orders</b>  |
| 20.1   | No variation to the Purchase order is permitted unless authorised in writing and signed by or on behalf of purchase executive, BHEL Bhopal.   |
| 21     | <b>Sub-contract</b>   |



BP 200102C

## BHARAT HEAVY ELECTRICALS LIMITED, BHOPAL GENERAL TERMS AND CONDITIONS OF ENQUIRY

|      |  |
|------|--|
| 21.1 | BHEL's order or part there off, if further to be subcontracted in exceptional circumstances the details of subcontracting and to whom to be subcontracted shall be furnished to BHEL and written permission shall be obtained from BHEL.<br>However, it shall not absolve the supplier of the responsibility of fulfilling BHEL order requirements.  |
| 22   | <b>Recovery / deductions of amount from supplier</b>   |
| 22.1 | a Any amount on account of recovery from consignor / supplier under any condition shall be liable to be adjusted against any amount payable to the consignor/supplier against bills.<br>b For any deficiency in supplies where deduction is involved, an amount as decided by BHEL, shall be deducted from supplier's bills.<br>c If it is not possible to recover the dues available from the same contract or dues are insufficient to meet the recoverable amount, balance amount shall be recovered from any money(s) payable to Supplier/Vendor under any contract with other Units of BHEL including recovery from security deposits or any other deposit available in the form of security instruments of any kind against Security deposit or EMD.   |
| 23   | <b>Safety clause for purchase orders</b>   |
| 23.1 | The bidders shall maintain and ensure sufficient safety measures as required for inspections and test like HV test. Pneumatic test, Hydraulic test Spring test, Bend test, Material handling and safe working environment etc. to enable Inspection Agency for performing inspection.<br>The bidder shall ensure that all the safety precautions specified in factories Act 1948 chapter-IV Section-21 to 41 are complied with respect to equipment's to be inspected.<br>If any test equipment is found not complying with proper safety requirement, then the inspection agency may withhold inspection, till such time the desired safety requirements are met.   |
| 24   | <b>Non-Disclosure Agreement</b>  |
| 24.1 | All Drawing and technical documents relating to the product or it's manufacture submitted by one party to the other, prior or subsequent to the formation of contract, shall remain property of the submitting party. Drawing, technical documents or other technical information received by one party, shall not without the consent of the other party, be used for any other purpose than that, for which they were provided. Such technical information shall not without the consent of the submitting party, otherwise be used or copied, reproduced, transmitted or communicated to a third party. Patterns supplied by BHEL will remain BHEL's property which shall be returned by the bidder on demand to BHEL. Bidder shall in no way share or use such intellectual property of BHEL to promote his own business with others. <b><u>BHEL reserves the right to claim damages from the bidder, or take appropriate penal action as deemed fit against the bidder, for any infringement of the provisions contained herein.</u></b>  |
|      | DRAWINGS, PATTERNS & TOOLS: All drawings, patterns & tools supplied by BHEL or made at BHEL's expense are BHEL's property. These cannot be used or referred to any other party and must only be used in the execution of BHEL's orders. These should be preserved at the supplier's cost for a period of not less than 5 years. Patterns & tools should be returned to BHEL within 90 days of issue of the same.   |
| 25   | <b>Settlement of Disputes &amp; Arbitration</b>  |
| 25.1 | 25.1 SETTLEMENT OF DISPUTE If any dispute or difference of any kind whatsoever shall arise between BHEL and the Supplier/Vendor, arising out of the contract for the performance of the work whether during the progress of contract termination, abandonment or breach of the contract, it shall in the first place referred to Designated Engineer for amicable resolution by the parties. Designated Engineer (to be nominated by BHEL for settlement of disputes arising out of the contract) who within 60 days after being requested shall give written notice of his decision to the contractor. Save as hereinafter provided, such decision in respect of every matter so referred shall forthwith be given effect to by the Supplier/Vendor who shall proceed with the work with all due diligence, whether he or BHEL desires to resolve the dispute as hereinafter provided or not. If after the Designated Engineer has given written notice of this decision to the party and no intention to pursue the dispute has been communicated to him by the affected party within 30 days from the receipt of such notice, the said decision shall become final and binding on the parties. In the event the Supplier/Vendor being dissatisfied with any such decision or if amicable settlement cannot be reached then all such disputed issues shall be resolved through conciliation in terms of the BHEL Conciliation Scheme 2018 as per Clause 25.2 |



BP 200102C

## BHARAT HEAVY ELECTRICALS LIMITED, BHOPAL GENERAL TERMS AND CONDITIONS OF ENQUIRY

|         |  |
|---------|--|
| 25.2    | CONCILIATION Any dispute, difference or controversy of whatever nature howsoever arising under or out of or in relation to this Agreement (including its interpretation) between the Parties, and so notified in writing by either Party to the other Party (the "Dispute") shall, in the first instance, be attempted to be resolved amicably in accordance with the conciliation procedure as per BHEL Conciliation Scheme 2018. The proceedings of Conciliation shall broadly be governed by Part-III of the Arbitration and Conciliation Act 1996 or any statutory modification thereof and as provided in - "Procedure for conduct of conciliation proceedings" (as available in www.bhel.in)   |
| 25.3    | <b>ARBITRATION</b>   |
| 25.3.1  | Except as provided elsewhere in this Contract, in case Parties are unable to reach amicable settlement (whether by Conciliation to be conducted as provided in Clause 25.2 herein above or otherwise) in respect of any dispute or difference; arising out of the formation, breach, termination, validity or execution of the Contract; or, the respective rights and liabilities of the Parties; or, in relation to interpretation of any provision of the Contract; or, in any manner touching upon the Contract (hereinafter referred to as the 'Dispute'), then, either Party may, refer the disputes to <i>sole arbitration of an arbitrator appointed by Head of the BHEL Unit/Region/Division issuing the Contract.</i>  |
| 25.3.2  | A party willing to commence arbitration proceeding shall invoke Arbitration Clause by giving notice to the other party in terms of section 21 of the Arbitration & Conciliation Act, 1996(hereinafter referred to as the 'Notice') before referring the matter to <i>Arbitration</i> . The Notice shall be addressed to the <b>Head of Unit, HEP Bhopal, BHEL, executing the Contract</b> and shall contain the particulars of all claims to be referred to arbitration with sufficient detail and shall also indicate the monetary amount of such claim including interest, if any.   |
| 25.3.3  | After expiry of 30 days from the date of receipt of aforesaid notice, the party invoking the Arbitration shall submit that dispute to the <i>Arbitrator</i> and that dispute shall be adjudicated in accordance with <i>Arbitration and conciliation Act 1996</i> . The matter shall be adjudicated by a Sole Arbitrator who shall necessarily be a Retd Judge having considerable experience in commercial matters to be appointed/nominated by the <i>respective Head of unit</i> . The cost/expenses pertaining to the said Arbitration shall also be governed in accordance with the <i>Arbitration and conciliation Act 1996</i> . The decision of the <i>respective Head of Unit of BHEL</i> for reference of dispute to a specific <i>Arbitrator</i> for adjudication of that dispute shall be final and binding on both the parties and shall not be subject to any change thereafter. The <i>Arbitrator</i> -once <i>appointed</i> at the time of invocation of dispute shall remain unchanged. |
| 25.3.4  | The fee and expenses shall be borne by the parties as per the <i>Arbitration and conciliation Act 1996</i> .   |
| 25.3.5  | The Arbitration proceedings shall be in English language and the seat and venue of Arbitration shall be Bhopal in the State of Madhya Pradesh,   |
| 25.3.6  | Subject to the above, the provisions of Arbitration & Conciliation Act 1996 and any amendment thereof shall be applicable. All matters relating to this Contract and arising out of invocation of Arbitration clause are subject to the exclusive jurisdiction of the Court(s) situated at <b>Bhopal in the State of Madhya Pradesh,</b>   |
| 25.3.7  | Notwithstanding any reference to the Designated Engineer or Conciliation or Arbitration herein, a. the parties shall continue to perform their respective obligations under the Contract unless they otherwise agree. Settlement of Dispute clause cannot be invoked by the Contractor, if the Contract has been mutually closed or 'No Demand Certificate' has been furnished by the Contractor or any Settlement Agreement has been signed between the Employer and the Contractor.  |
| 25.3.8  | The Mechanism of resolution of disputes through arbitration shall be available only in the cases where the value of the dispute is less than Rs. 10 Crores.  |
| 25.3.9  | In case the disputed amount (Claim, Counter claim including interest is Rs. 10 crores and above, the parties shall be within their rights to take recourse to remedies other than Arbitration, as may be available to them under the applicable laws after prior intimation to the other party. Subject to the aforesaid conditions, provisions of the Arbitration and Conciliation Act, 1996 and any statutory modifications or re-enactment thereof as amended from time to time, shall apply to the arbitration proceedings under this clause.  |
| 25.3.10 | In case, multiple arbitrations are invoked (whether sub-judice or arbitral award passed) by any party to under this contract, then the cumulative value of claims (including interest claimed or awarded) in all such arbitrations shall be taken in account while arriving at the total claim in dispute for the subject contract for   |



BP 200102C

## BHARAT HEAVY ELECTRICALS LIMITED, BHOPAL GENERAL TERMS AND CONDITIONS OF ENQUIRY

|         |   |
|---------|---|
|         | the purpose of clause <b>25.3.8 and 25.3.9</b> . Disputes having cumulative value of less than 10 crores shall be resolved through arbitration and any additional dispute shall be adjudicated by the court of competent jurisdiction.  |
| 25.3.11 | <p><b>In case of Contract with Public Sector Enterprise (PSE) or a Government Department, the following shall be applicable:</b></p> <p>In the event of any dispute or difference relating to the interpretation and application of the provisions of commercial contract(s) between Central Public Sector Enterprises (CPSEs)/ Port Trusts inter se and also between CPSEs and Government Departments/Organizations (excluding disputes concerning Railways, Income Tax, Customs &amp; Excise Departments), such dispute or difference shall be taken up by either party for resolution through AMRCD (Administrative Mechanism for Resolution of CPSEs Disputes) as mentioned in DPE OM No. 05/0003/2019-FTS- 10937 dated 14-12-2022 as amended from time to time</p>   |
| 27      | <b>RIGHT OF REJECTION /NON- PLACEMENT OF PO:</b> BHEL reserves the right to accept the offers in part or in full, or cancel the Tender enquiry without assigning any reason.  |
| 28      | <b>Performance Bank Guarantee (PBG)/ Security Deposit (SD):</b>   |
| 28.1    | <p>Wherever Security Deposit (covering contract performance) is called for in the Tender /NIT, the Performance Bank Guarantee (PBG) or Security Deposit (SD), hereafter referred as performance security is to be submitted by the successful bidder awarded the contract. Performance security is to be submitted by the date specified in the contract. Modes of deposit:</p> <p>a) Performance security may be furnished in the following forms:</p> <p>(i) Local cheques of Scheduled Banks (subject to realization)/ Pay Order/ Demand Draft/ Electronic Fund Transfer in favour of BHEL.</p> <p>(ii) Bank Guarantee from Scheduled Banks / Public Financial Institutions as defined in the Companies Act. The Bank Guarantee format should have the approval of BHEL.</p> <p>(iii) Fixed Deposit Receipt issued by Scheduled Banks / Public Financial Institutions as defined in the Companies Act (FDR should be in the name of the Contractor, a/c BHEL).</p> <p>(iv) Securities available from Indian Post offices such as National Savings Certificates, Kisan Vikas Patras etc. (held in the name of Contractor furnishing the security and duly endorsed/ hypothecated/ pledged, as applicable, in favour of BHEL).</p> <p>(v) Insurance Surety Bond.</p> <p>(Note: BHEL will not be liable or responsible in any manner for the collection of interest or renewal of the documents or in any other matter connected therewith)</p> <p>b) In case of GTE tenders, the performance security should be in the same currency as the contract and must conform to Uniform Rules for Demand Guarantees (URDG 758) - an international convention regulating international securities. a) Performance Security is to be furnished by a specified date (generally 14(fourteen) days after notification of the award) and it should remain valid for a period of 60 (sixty) days beyond the date of completion of all contractual obligations of the supplier, including warranty obligations.</p> <p><b>Forfeiture of Performance Security:</b><br/>The performance security will be forfeited and credited to BHEL's account in the event of a breach of contract by the supplier.<br/>PS shall be refunded to the contractor without interest, after he duly performs and completes the contract in all respects but not later than 60 (sixty) days of completion of all such obligations including the warranty under the contract.<br/>The Performance Security shall not carry any interest.</p> |
| 28.2    | Composite 'Contract Performance Bank Guarantee' of matching value/ validity, where both Security Deposit and Performance Bank Guarantee are required, shall not be construed as deviation.  |
| 28.3    | Wherever the contract is for supply of Goods processed on labour basis/mixed basis from BHEL supplied materials, the materials shall be issued against a suitable Bank guarantee as specified in the particular Enquiry/STC/ATC/Annexures.  |
| 28.4    | Wherever PBG (covering equipment / system / work performance guarantee) is called for in the Notice Inviting Tender (NIT) deviation shall not be accepted   |
| 28.5    | Bank Guarantee wherever called for, shall be in the BHEL prescribed format. In case the order is to be placed in foreign currency, the BG must also be in Foreign currency, so specified by the Purchaser   |



BP 200102C

**BHARAT HEAVY ELECTRICALS LIMITED, BHOPAL  
GENERAL TERMS AND CONDITIONS OF ENQUIRY**

|      |  |
|------|--|
| 28.6 | Wherever Security Deposit (covering contract performance) is called for in the NIT, deviation shall not be accepted.   |
| 28.7 | Bidder agrees to submit performance security required for execution of the contract within the time period mentioned.<br>In case of delay in submission of performance security, enhanced performance security which would include interest "Repo Rate + 4%" for the delayed period, shall be submitted by the bidder. Further, if performance security is not submitted till such time the first bill becomes due, the amount of performance security due shall be recovered as per terms defined in NIT / contract, from the bills along with due interest   |
| 29   | <b>Benefits earmarked for Purchase from Micro &amp; Small Enterprises (MSEs) –</b><br>All benefits as per Government of India guidelines shall be given to eligible bidders.<br>MSE bidders as defined by the MSMED Act as amended from time to time can avail the intended benefits only if they submit along with the offer, self-attested copies of relevant document, Udyam Registration as applicable stipulated in the MSMED Act or its rules/ regulations as amended from time to time and /or by the buyer. Non-submission of such documents as stipulated hereinbefore will lead to consideration of their bids at par with other bidders. No benefit shall be applicable for the concerned for the tender enquiry, if any deficiency in the above required documents is not submitted before the price bid opening. If the tender is to be submitted through e-procurement portal, then the above required documents are to be uploaded on the portal. This provision for MSE will apply subject to the condition that the participating MSE meets the tender requirements.<br>In case of any change in the MSE status of the bidder, it shall be the responsibility of the bidder to notify the change as a part of the bid document. If at a later date it comes to the knowledge of BHEL, that the change in the status has not been intimated by the bidder and the order is obtained under the premise of an MSE then BHEL may reject the bid or, as the case may be, cancel the order and take necessary steps for suspension of the business dealing against the bidder as per the extant guidelines for suspension of business dealings with suppliers/ contractors of BHEL.<br>Note: MSME benefits shall not be given to traders, Dealers or authorised agents.<br>It may however be noted that MSE guidelines as on date (Date of Technical Bid Opening Part-1) shall prevail.<br>As per the OM No. F. No. 1(2)(1)/2016-MA Dtd. 09.02.2017 issued from the Office of Development Commissioner (Micro, Small & Medium Enterprises), "Traders and agents should not be allowed to avail the benefits extended under the PP Policy". In view of this, it is clarified that benefits of MSE (such as EMD Waiver, Tender fee exemption, Price preference, Payment preference etc.) will be given only to those MSE Vendors who are manufacturers of offered items against the NIT. No MSE benefits shall be provided to Agents / Stockists / Dealers / Traders etc. for the items offered but not manufactured by themselves. |
| 29.1 | MSEs shall be given tender documents free of cost and shall be exempted from payment of EMD. Tender documents shall be issued free of cost & no EMD wherever called for will be insisted upon. MSE bidders shall submit along with bid relevant documents w.r.t. their respective MSE status as per extant norms. Date to be reckoned for determining the deemed validity will be the last date of Technical bid submission. Non-submission of such document will lead to consideration of their bid, at par with other bidders and MSE status of such bidders shall be shifted to Non- MSE supplier till the supplier submit these documents.   |
| 29.2 | In tender, participating MSEs quoting price within price band of L1+15% shall also be allowed to supply a portion of requirement by bringing down their price to L1 price in a situation where L1 price is from someone other than an MSE and such MSE shall be allowed to supply up to at least 25% of total tendered value. In case of more than one such MSE, the supply shall be shared proportionately.<br>A quantum of 6.25% (25% out of target of 25%), so earmarked, will be reserved for MSE's owned by SC / ST entrepreneurs who submit their bid with relevant documents provided that in event of failure of such MSE(s) to participate in tender process or meet tender requirements and L1 price, 6.25% sub-target for procurement earmarked for MSE(s) owned by SC or ST entrepreneurs shall be met from other MSE(s).<br>A quantum of minimum of 3% reservation within the above mentioned 25% reservation, so earmarked, will be reserved for MSE's owned by women entrepreneurs who submit their bid with relevant documents provided that in event of failure of such MSE(s) to participate in tender process or meet tender requirements and L1 price, 3% sub-target for procurement earmarked for MSE(s) owned by women entrepreneurs shall be met from other MSE(s).   |



BP 200102C

## BHARAT HEAVY ELECTRICALS LIMITED, BHOPAL GENERAL TERMS AND CONDITIONS OF ENQUIRY

|                     | In case of indivisible tender, the full quantity shall be awarded to L1.   |     |  |     |     |             |  |  |                     |  |  |                   |  |  |              |  |  |
|---------------------|--|-----|--|-----|-----|-------------|--|--|---------------------|--|--|-------------------|--|--|--------------|--|--|
| 29.3                | If an enterprise falling under MSE category as defined in the MSMED Act 2006, graduates to a higher category from its original category or beyond the purview of the Act, it shall continue to avail all non-tax benefits of its original category notified by the Ministry of Micro, Small and Medium Enterprise for a period of three years from the date of such graduation to the higher category.   |     |  |     |     |             |  |  |                     |  |  |                   |  |  |              |  |  |
| 29.4                | <p>MSE bidders as defined by the MSMED Act as amended from time to time can avail the intended benefits only if they submit, self-attested copies of Udyam Registration certificate, along with the offer. No benefits shall be applicable for the enquiry if any deficiency in the above required documents are not submitted before price bid opening. If the tender is to be submitted through e-procurement portal, then the above required self-attested documents are to be uploaded on the portal.</p> <p>No benefits shall be applicable for this enquiry if any deficiency in the above required documents are not submitted before price bid opening. If the tender is to be submitted through e-procurement portal, then the above required self-attested documents are to be uploaded on the portal.</p> <p>The deemed validity will be assessed on the date of bid opening (Part 1 in case of two-part bid). Non-submission of such documents as stipulated hereinbefore will lead to consideration of their bids at par with other bidders. No benefit shall be applicable for the concerned for the tender enquiry, if any deficiency in the above required documents is not submitted before the price bid opening. This provision for MSE will apply subject to the condition that the participating MSE meets the tender requirements.</p> <p>In case of any change in the MSE status of the bidder, it shall be the responsibility of the bidder to notify the change as a part of the bid document. If at a later date it comes to the knowledge of BHEL, that the change in the status has not been intimated by the bidder and the order is obtained under the premise of an MSE then BHEL may reject the bid or, as the case may be, cancel the order and take necessary steps for suspension of the business dealing against the bidder as per the extant guidelines for suspension of business dealings with suppliers/ contractors of BHEL.</p> <p>In case if all the items being procured under the enquiry fall under category of reserved items as defined in "Public Procurement Policy for Micro and Small Enterprises (MSEs) Order, 2012" and if any of the MSE bidder(s) is techno commercially qualified then the price bids of only MSE bidders shall be opened. If no MSE bidder is techno-commercially qualified, then price bids of all techno-commercially qualified bidders shall be opened.</p> |     |  |     |     |             |  |  |                     |  |  |                   |  |  |              |  |  |
| 30                  | <p><b>Integrity Pact (IP) — Independent external monitors (IEM)</b><br/>For tenders in which integrity pact is applicable, following points stand valid:</p>   |     |  |     |     |             |  |  |                     |  |  |                   |  |  |              |  |  |
| 30.1                | <p>IP is a tool to ensure that activities and transactions between the company and its bidders/contractors are handled in a fair, transparent and corruption free manner. A panel of Independent External Monitors (IEMs) have been appointed to oversee implementation of IP in BHEL.</p> <p>The IP as enclosed with the tender is to be submitted (duly signed by authorized signatory who signs in the offer) along with techno commercial bid. Only those bidders who have entered into such an IP with BHEL would be competent to participate in the bidding. In other words, entering into this pact would be a preliminary qualification.</p> <p style="margin-left: 40px;">Name: ----- } -----<br/>Address: ----- } ----- As indicated in NIT / enquiry E-mail: -----<br/>--</p>   |     |  |     |     |             |  |  |                     |  |  |                   |  |  |              |  |  |
| 30.2                | <p>Please refer section 8 of the IP for roles and responsibilities of IEMs. In case of any complaint arising out of tendering process, the matter may be referred to the IEM mentioned in the tender.</p> <p><b>NOTE:</b> No routine correspondence shall be addressed to the IEM (phone / post/e-mail) regarding the clarifications, time extensions or any other administrative queries, etc. on the tender issued. All such clarifications/ issues shall be addressed directly to the tender issuing (procurement) department.</p> <p><b>For all clarifications/ issues related to the tender, please contact:</b></p> <table border="1" style="width: 100%; border-collapse: collapse; margin-top: 10px;"> <thead> <tr> <th style="width: 30%;"></th> <th style="width: 35%; text-align: center;">(1)</th> <th style="width: 35%; text-align: center;">(2)</th> </tr> </thead> <tbody> <tr> <td><b>Name</b></td> <td></td> <td></td> </tr> <tr> <td><b>Landline No.</b></td> <td></td> <td></td> </tr> <tr> <td><b>Mobile No.</b></td> <td></td> <td></td> </tr> <tr> <td><b>Email</b></td> <td></td> <td></td> </tr> </tbody> </table>  |     |  | (1) | (2) | <b>Name</b> |  |  | <b>Landline No.</b> |  |  | <b>Mobile No.</b> |  |  | <b>Email</b> |  |  |
|                     | (1)  | (2) |  |     |     |             |  |  |                     |  |  |                   |  |  |              |  |  |
| <b>Name</b>         |  |     |  |     |     |             |  |  |                     |  |  |                   |  |  |              |  |  |
| <b>Landline No.</b> |  |     |  |     |     |             |  |  |                     |  |  |                   |  |  |              |  |  |
| <b>Mobile No.</b>   |  |     |  |     |     |             |  |  |                     |  |  |                   |  |  |              |  |  |
| <b>Email</b>        |  |     |  |     |     |             |  |  |                     |  |  |                   |  |  |              |  |  |



BP 200102C

## BHARAT HEAVY ELECTRICALS LIMITED, BHOPAL GENERAL TERMS AND CONDITIONS OF ENQUIRY

|        |  |                |  |  |
|--------|--|----------------|--|--|
|        |  | <b>Dept.</b>   |  |  |
|        |  | <b>Address</b> |  |  |
|        |  | <b>Fax</b>     |  |  |
| 31     | <p><b>Fraud Prevention Policy :</b> The Bidder along with its associate/ collaborators/ sub-contractors/ sub-bidders/ consultants/ service providers shall strictly adhere to BHEL Fraud Prevention Policy displayed on BHEL website <a href="http://www.bhel.com">www.bhel.com</a> and shall immediately bring to the notice of BHEL Management about any fraud or suspected fraud as soon as it comes to their notice.</p>   |                |  |  |
| 32     | <p><b>Integrity Commitment:</b> The offers of the bidders who are under suspension as also the offers of the bidders, who engage the services of the banned firms, shall be rejected. The list of banned firms is available on BHEL website <a href="http://www.bhel.com">www.bhel.com</a>.</p> <p><b>Integrity commitment, performance of the contract and punitive action thereof:</b></p>   |                |  |  |
| 32.1   | <p><b>Commitment by BHEL:</b><br/>BHEL commits to take all measures necessary to prevent corruption in connection with the tender process and execution of the contract. BHEL will during the tender process treat all bidder(s) in a transparent and fair manner, and with equity.</p>  |                |  |  |
| 32.2   | <p><b>Commitment by bidder / Supplier / Contractor:</b></p>  |                |  |  |
| 32.2.1 | <ul style="list-style-type: none"> <li>- The bidder / supplier / contractor commits to take all measures to prevent corruption and will not directly or indirectly influence any decision or benefit which he is not legally entitled to nor will act or omit in any manner which tantamount to an offence punishable under any provision of the Indian Penal code, 1860 or any other law in force in India.</li> <li>- The bidder / supplier / contractor will, when presenting his bid, disclose any and all payments he has made, and is committed to or intends to make to agents, brokers or any other intermediaries in connection with the award of the contract and shall adhere to relevant guidelines issued from time to time by govt. of India / BHEL</li> </ul> <p>The bidder / supplier / contractor will perform / execute the contract as per the contract terms &amp; conditions and will not default without any reasonable cause, which causes loss of business / money / reputation to BHEL.</p>   |                |  |  |
| 32.2.2 | <p>If any bidder / supplier / contractor during pre-tendering / tendering / post tendering / award / execution / post-execution stage indulges in mal-practices, cheating, bribery, fraud or / and other misconduct or formation of cartel so as to influence the bidding process or influence the price or acts or omits in any manner which tantamount to an offence punishable under any provision of the Indian Penal Code, 1860 or any other law in force in India, then action may be taken against such bidder / supplier / contractor as per the extant guidelines of the company available on <a href="http://www.bhel.com">www.bhel.com</a> and / or under applicable legal provisions.</p>  |                |  |  |
| 32.2.3 | <p><b>Preventive checks to eliminate suspected cartel formation between suppliers</b><br/>The Bidder declares that they will not enter into any illegal or undisclosed agreement or understanding, whether formal or informal with other Bidder(s). This applies in particular to prices, specifications, certifications, subsidiary contracts, submission or non-submission of bids or any other actions to restrict competitiveness or to introduce cartelization in the bidding process.<br/>In case, the Bidder is found having indulged in above activities, suitable action shall be taken by BHEL as per extant policies/ guidelines</p> <p><b>Declaration by Bidders</b><br/>We declare that the following family firms or sister concern affiliates/ subsidiary firms are participating in the tender No _____</p> <p>1.0 _____ 2.0 _____<br/>3.0 _____</p> <p>I _____ hereby declare on behalf of M/s _____ and family firms or sister concern affiliates/ subsidiary firms listed above that we are not indulging in cartel formation for Enquiry No _____.</p> <p style="text-align: right;">( _____ )<br/>For M/s _____<br/>Seal and Sign</p> |                |  |  |



BP 200102C

**BHARAT HEAVY ELECTRICALS LIMITED, BHOPAL  
GENERAL TERMS AND CONDITIONS OF ENQUIRY**

|      |   |
|------|---|
| 33   | <p><b>Public Procurement (Preference to Make in India), Order 2017</b></p> <p>" The local content to categorize a supplier as a Class I local supplier/ Class II local Supplier/ Non-local supplier and purchase preference to Class I local supplier, is as defined in Public Procurement (Preference to Make in India), Order 2017 dated 19.07.2024 issued by DPIIT. In case of subsequent orders issued by the nodal ministry, changing the definition of local content for the items of the NIT, the same shall be applicable even if issued after issue of this NIT, but before opening of Part-II bids against this NIT"</p> <p>For this procurement, Public Procurement (Preference to Make in India), Order 2017 Dtd 19.7.2024 and subsequent orders issued by both DPIIT and the respective nodal ministries shall be applicable.</p> <p>Bidder to mention the percentage of local content and place of value addition to manufacture these items in the tender in MII self-certificate/ self-declaration certificate.</p> <p>Bidder to refer the Sample format of MII self-certificate (Annexure - 1) and sample certification format of statutory auditor or cost auditor of the company (in the case of companies) or from a practicing cost accountant or practicing chartered accountant (in respect of suppliers other than companies) (Annexure- 2).</p>  |
| 34   | <b>RESTRICTION UNDER RULE 144 (xi) OF THE GENERAL FINANCIAL RULES 2017: As per latest government guidelines</b>   |
| 34.1 | Any bidder from a country which shares a land border with India will be eligible to bid in this tender only if the bidder is registered with the competent authority.   |
| 34.2 | "Bidder" (including the term 'tenderer', 'consultant' or service provider' in certain contexts means any person or firm or company, including any member of a consortium or joint venture (that is an association of several persons, or firms or companies) every artificial juridical person not falling in any of the description of bidders stated hereinbefore, including any agency, branch or office controlled by such person, participating in procurement process.  |
| 34.3 | Bidder from a country which shares a land border with India" for the purpose of this order means: -<br>a. An entity incorporated, established or registered in such a country; or<br>b. A subsidiary of an entity incorporated, established or registered in such a country; or<br>c. An entity substantially controlled through entities incorporated, established or registered in such a county; or<br>d. d. An entity whose beneficial owner is situated in such a country; or<br>e. An Indian (or other) agent of such an entity; or<br>f. A natural person who is a citizen of such a country; or<br>g. A consortium or joint venture where any member of the consortium or joint venture falls under any of the above.   |
| 34.4 | The beneficial owner for the purpose of (iii) above will be as under:<br>1. In case of company or Limited Liability Partnership, the beneficial owner is the natural person(s), who, whether acting alone or together, or through one or more juridical person, has a controlling ownership interest or who exercises control through other means. Explanation –<br>a. "Controlling ownership interest" means ownership of or entitlement to more than twenty-five per cent of shares or capital or profits of the company.<br>b. "Control" shall include the right to appoint majority of the directors or to control the management or policy decisions including by virtue of their shareholding or management rights or shareholder's agreements or voting agreements.<br>2. In case of a partnership firm, the beneficial owner is the natural person(s) who, whether acting alone or together, or through one or more juridical person, has ownership of entitlement to more than fifteen percent of capital or profits of the partnership;<br>3. In case of an unincorporated association or body of individuals, the beneficial owner is the natural person(s), who, whether acting alone or together, or through one or more juridical person, has ownership of or entitlement to more than fifteen percent of the property or capital or profits of such association or body of individuals;<br>4. Where no natural person is identified under (1) or (2) or (3) above, the beneficial owner is the relevant natural person who holds the position of senior managing official; |



BP 200102C

**BHARAT HEAVY ELECTRICALS LIMITED, BHOPAL  
GENERAL TERMS AND CONDITIONS OF ENQUIRY**

|      |  |
|------|--|
|      | 5. In case of a trust, the identification of beneficial owner(s) shall include identification of the author of the trust, the trustee, the beneficiaries with fifteen percent or more interest in the trust and any other natural person exercising ultimate effective control over the trust through a chain of control or ownership.   |
| 34.5 | An Agent is a person employed to do any act for another, or to represent another in dealings with third person.  |
| 34.6 | Model certificate for Tenders<br><i>"I have read the clause regarding restrictions on procurement from a bidder of a country which shares a land border with India; I certify that this bidder is not from such a country or, if from such a country, has been registered with the competent authority. I hereby certify that this bidder fulfils all requirements in these regards and is eligible to be considered. [ Where applicable, evidence of valid registration by the Competent Authority shall be attached]."</i>   |
| 35   | <b>Treatment of cases regarding conflict of interest:</b><br><br>The bidder notes that a conflict of interest would said to have occurred in the tender process and execution of the resultant contract, in case of any of the following situations:<br><ol style="list-style-type: none"><li>1) If its personnel have a close personal, financial, or business relationship with any personnel of BHEL who are directly or indirectly related to the procurement or execution process of the contract, which can affect the decision of BHEL directly or indirectly.</li><li>2) The bidder (or his allied firm) provided services for the need assessment/ procurement planning of the Tender process in which it is participating.</li><li>3) Procurement of goods directly from the manufacturers/ suppliers shall be preferred. However, if the OEM/ Principal insists on engaging the services of an agent, such agent shall not be allowed to represent more than one manufacturer/ supplier in the same tender. Moreover, either the agent could bid on behalf of the manufacturer/ supplier or the manufacturer/ supplier could bid directly but not both. In case bids are received from both the manufacturer/ supplier and the agent, bid received from the agent shall be ignored. However, this shall not debar more than one Authorised distributor (with/ or without the OEM). from quoting equipment manufactured by an Original Equipment Manufacturer (OEM) in procurements under a Proprietary Article Certificate.</li><li>4) A bidder participates in more than one bid in this tender process. Participation in any capacity by a Bidder (including the participation of a Bidder as a partner/ JV member or sub-contractor in another bid or vice-versa) in more than one bid shall result in the disqualification of all bids in which he is a party. However, this does not limit the participation of an entity as a sub-contractor in more than one bid if he is not bidding independently in his own name or as a member of a JV.</li></ol><br>The Bidder shall declare that they have read and understood the above aspects, and the bidder confirms that such conflict of interest does not exist and undertakes that they will not enter into any illegal or undisclosed agreement or understanding, whether formal or informal with other Bidder(s), in this regard. This applies in particular to prices, specifications, certifications, subsidiary contracts, submission or non-submission of bids or any other actions to restrict competitiveness or to introduce cartelization in the bidding process. In case, the Bidder is found having indulged in above activities, the same will be considered as a violation of the tender conditions, and suitable action shall be taken by BHEL as per extant policies/ guidelines.<br><br>- Duly filled, seal and signed declaration to be submitted by bidders with Part1- techno commercial offers of each tender. |
| 36   | <b>Breach of contract, Remedies and Termination</b>  |
| 36.1 | The following shall amount to breach of contract:<br><ol style="list-style-type: none"><li>I. Non-supply of material/ non-completion of work by the Supplier/Vendor within scheduled delivery/ completion period as per contract or as extended from time to time.</li></ol>   |



BP 200102C

## BHARAT HEAVY ELECTRICALS LIMITED, BHOPAL GENERAL TERMS AND CONDITIONS OF ENQUIRY

- II. The Supplier/Vendor fails to perform as per the activity schedule and there are sufficient reasons even before expiry of the delivery/ completion period to justify that supplies shall be inordinately delayed beyond contractual delivery/ completion period.
  - III. The Supplier/Vendor delivers equipment/ material not of the contracted quality.
  - IV. The Supplier/Vendor fails to replace the defective equipment/ material/ component as per guarantee clause.
  - V. Withdrawal from or abandonment of the work by the Supplier/Vendor before completion as per contract.
  - VI. Assignment, transfer, subletting of Contract by the Supplier/Vendor without BHEL's written permission resulting in termination of Contract or part thereof by BHEL.
  - VII. Non-compliance to any contractual condition or any other default attributable to Supplier/Vendor.
  - VIII. Any other reason(s) attributable to Vendor towards failure of performance of contract.
- In case of breach of contract, BHEL shall have the right to terminate the Purchase Order/ Contract either in whole or in part thereof without any compensation to the Supplier/Vendor.
- IX. Any of the declarations furnished by the contractor at the time of bidding and/ or entering into the contract for supply are found untruthful and such declarations were of a nature that could have resulted in non-award of contract to the contractor or could expose BHEL and/ or Owner to adverse consequences, financial or otherwise.
  - X. Supplier/Vendor is convicted of any offence involving corrupt business practices, antinational activities or any such offence that compromises the business ethics of BHEL, in violation of the Integrity Pact entered into with BHEL has the potential to harm the overall business of BHEL/ Owner.

Note-Once BHEL considers that a breach of contract has occurred on the part of Supplier/Vendor, BHEL shall notify the Supplier/Vendor by way of notice in this regard. Contractor shall be given an opportunity to rectify the reasons causing the breach of contract within a period of 14 days.

In case the contractor fails to remedy the breach, as mentioned in the notice, to the satisfaction of BHEL, BHEL shall have the right to take recourse to any of the remedial actions available to it under the relevant provisions of contract.

### **Remedies in case of Breach of Contract.**

- i) Wherein the period as stipulated in the notice issued under clause 14.1 has expired and Supplier/Vendor has failed to remedy the breach, BHEL will have the right to terminate the contract on the ground of "Breach of Contract" without any further notice to contractor.
- ii) Upon termination of contract, BHEL shall be entitled to recover an amount equivalent to 10% of the Contract Value for the damages on account of breach of contract committed by the Supplier/Vendor. This amount shall be recovered by way of encashing the security instruments like performance bank guarantee etc available with BHEL against the said contract. In case the value of the security instruments available is less than 10% of the contract value, the balance amount shall be recovered from other financial remedies (i.e. available bills of the Supplier/Vendor, retention amount, from the money due to the Supplier/Vendor etc. with BHEL) or the other legal remedies shall be pursued.
- iii) wherever the value of security instruments like performance bank guarantee available with BHEL against the said contract is 10% of the contract value or more, such security instruments to the extent of 10% contract value will be encashed. In case no security instruments are available or the value of the security instruments available is less than 10% of the contract value, the 10% of the contract value or the balance amount, as the case may be, will be recovered in all or any of the following manners:
  - iv) In case the amount recovered under sub clause (a) above is not sufficient to fulfil the amount recoverable then; a demand notice to deposit the balance amount within 30 days shall be issued to Supplier/Vendor.
  - v) If Supplier/Vendor fails to deposit the balance amount within the period as prescribed in demand notice, following action shall be taken for recovery of the balance amount:
    - a. from dues available in the form of Bills payable to defaulted Supplier/Vendor against the same contract.
    - b. If it is not possible to recover the dues available from the same contract or dues are insufficient to meet the recoverable amount, balance amount shall be recovered from any money(s) payable to

36.2



BP 200102C

**BHARAT HEAVY ELECTRICALS LIMITED, BHOPAL  
GENERAL TERMS AND CONDITIONS OF ENQUIRY**

|    |   |
|----|---|
|    | <p>Supplier/Vendor under any contract with other Units of BHEL including recovery from security deposits or any other deposit available in the form of security instruments of any kind against Security deposit or EMD.</p> <p>c. In-case recoveries are not possible with any of the above available options, Legal action shall be initiated for recovery against defaulted supplier/Vendor.</p> <p>vi) It is an agreed term of contract that this amount shall be a genuine pre-estimate of damages that BHEL would incur in completion of balance contractual obligation of the contract through any other agency and BHEL will not be required to furnish any other evidence to the Supplier/Vendor for the purpose of estimation of damages.</p> <p>vii) In addition to the above, imposition of liquidated damages, debarment, termination, de-scoping, short-closure, etc., shall be applied as per provisions of the contract.</p> <p>Note:<br/>1) The defaulting Supplier/Vendor shall not be eligible for participation in any of the future enquiries floated by BHEL to complete the balance work. The defaulting contractor shall mean and include:<br/>(a) In case defaulted Supplier/Vendor is the Sole Proprietorship Firm, any Sole Proprietorship Firm owned by same Sole Proprietor.<br/>(b) In case defaulted Supplier/Vendor is The Partnership Firm, any firm comprising of same partners/ some of the same partners; or sole proprietorship firm owned by any partner(s) as a sole proprietor.</p> |
| 37 | <p><b>Option clause:</b><br/>The Purchaser reserves the right to decrease the quantity to be ordered at the time of placement of contract. The purchaser also reserves the right to increase the ordered quantity by up to 25% of the contracted quantity during the currency of the contract at the contracted rates. Bidders are bound to accept the orders accordingly.</p>  |
| 38 | <p><b>NOTE:</b></p> <ol style="list-style-type: none"><li>In the event of our customer order covering this tender being cancelled /placed on hold /otherwise modified, BHEL would be constrained to accordingly cancel / hold / short close /modify the tender at any stage of execution.</li><li>BHEL may negotiate the L1 rate, if not meeting our budget / estimated cost. BHEL may re-float the tender opened, if L1 price is not acceptable to BHEL even after negotiation.</li></ol>  |
| 39 | <p><u>Grievance Redressal Mechanism</u></p> <p>To promote transparency and ensure fair treatment of all bidders, a structured Grievance Redressal Mechanism is in place to address any concerns or issues arising during the tendering process or in subsequent business dealings with the company.</p> <p>Suppliers/Contractors are requested to follow the below escalation process for grievance resolution:</p> <ol style="list-style-type: none"><li>First Level: Any grievance should initially be addressed to the designated Dealing Officer, whose contact details are provided in the Notice Inviting Tender (NIT)/Contract.</li><li>Second Level: If the issue remains unresolved, it may be escalated by lodging a formal grievance through the SUVIDHA Portal: <a href="https://suvidha.bhel.in/suvidha/">https://suvidha.bhel.in/suvidha/</a>. Responses will be provided in accordance with the defined escalation matrix.”</li></ol>  |

**Note:**

1.0 Tender Specific conditions shall override relevant provisions of this GTC

2.0 In the event of any change as notified by Govt. of India same will supersede the relevant GTC clause.



BP 200102C

# BHARAT HEAVY ELECTRICALS LIMITED, BHOPAL GENERAL TERMS AND CONDITIONS OF ENQUIRY

Annexure 1

Format - Self Certificate for MII

## CERTIFICATION REGARDING MINIMUM LOCAL CONTENT IN LINE WITH REVISED PUBLIC PROCUREMENT (PREFERENCE TO MAKE IN INDIA), ORDER 2017 DATED 19.7.24 AND SUBSEQUENT ORDER(S)

(To be provided on the Letter Head of the Entity/Firm)

To,

\_\_\_\_\_ (Write Name and Designation of Officer of BHEL inviting the Tender);

Bharat Heavy Electricals Limited,  
Piplani, Bhopal, MP-462022

Ref : 1) BHEL NIT/Tender Specification No: \_\_\_\_\_,  
2) Name of items : \_\_\_\_\_  
3) All other pertinent issues till date \_\_\_\_\_

We hereby certify that the items/works/services offered by \_\_\_\_\_ (specify the name of the organization here) has a local content of \_\_\_\_\_ % .

The local content % certified above is in line with definition of Local content given in point no 2 of Public Procurement (Preference to Make in India), Order 2017 Revision dated 19.7.2024 issued by DPIIT and subsequent order(s) to qualify as \_\_\_\_\_ (Class-I/ CLASS-I I/ Non-Local supplier-fill in one which is applicable) local supplier.

The details of the location(s) at which the local value addition is made are as follows:

\_\_\_\_\_

We confirm that the following has not been considered for calculation of local content:

- Imported items sourced locally from resellers/distributors.
- The license fees/ royalties paid/ technical charges paid out of India
- Refurbishment/Repackaging/ Rebranding of imported products
- services such as transportation, insurance, installation, commissioning, training and after sales service support like AMC/CMC etc.

\*\*We confirm that since contract involves supply of multiple items, weighted average of all items has been taken while calculating the local content.

I hereby declare that the details furnished above are true and correct to the best of my knowledge and belief. In case any of the above information is found to be false or untrue or misleading or misrepresenting, I am aware that I may be held liable for it.

(Signature, Name, Designation, Date, Place & Seal of  
Authorized Signatory of the Bidder)

\*\* - Strike out whichever is not applicable

Note: For evaluation of qualification of bidder:

1. Bidder has to submit the above format, duly filled & signed by authorized signatory.
2. For items sold by bidder as reseller, OEM certificate for country of origin to be submitted.



BP 200102C

**BHARAT HEAVY ELECTRICALS LIMITED, BHOPAL  
GENERAL TERMS AND CONDITIONS OF ENQUIRY**

Annexure 2-

Format - Auditor Certificate for MII

**CERTIFICATION REGARDING MINIMUM LOCAL CONTENT IN LINE WITH REVISED PUBLIC PROCUREMENT (PREFERENCE TO MAKE IN INDIA), ORDER 2017 DATED 19.7.24 AND SUBSEQUENT ORDER(S)**

(To be provided on the Letter head of Auditor/PCA)

To, \_\_\_\_\_ (Write Name and Address of the bidder);

Ref : 1) BHEL NIT/Tender Specification No: \_\_\_\_\_, 2) Name of items : \_\_\_\_\_  
3) All other pertinent issues till date

We statutory auditor of the company / cost auditor of the company / practicing cost accountant / practicing chartered accountant \*\* hereby certify that the items/works/services offered by..... (specify the name of the organization here) has a local content of \_\_\_\_\_ %

The local content % certified above is in line with the definition of Local content given in point no 2 of Public Procurement (Preference to Make in India), Order 2017 Revision dated 19.7.2024 issued by DPIIT and subsequent order(s) to qualify as ..... (Class-I/ CLASS-I I/ Non-Local supplier-fill in one which is applicable) local supplier.  
The details of the location(s) at which the local value addition is made are as follows:

We confirm that the following has not been considered for calculation of local content:

- Imported items sourced locally from resellers/distributors.
- The license fees/ royalties paid/ technical charges paid out of India
- Refurbishment/Repackaging/ Rebranding of imported products
- services such as transportation, insurance, installation, commissioning, training and after sales service support like AMC/CMC etc.

\*\*We confirm that since contract involves supply of multiple items, weighted average of all items has been taken while calculating the local content.

I hereby declare that the details furnished above are true and correct to the best of my knowledge and belief. In case any of the above information is found to be false or untrue or misleading or misrepresenting, I am aware that I may be held liable for it.

Auditor Details

For .....(Firm Name)

Name of Auditor:

\*\*Partner/Proprietor:

Membership No. \*\*(ICAI/ICMAI): Firm Registration

No. (FRN): Signature & Seal of Auditor UDIN:

Date:

Place:



BP 200102C

## BHARAT HEAVY ELECTRICALS LIMITED, BHOPAL GENERAL TERMS AND CONDITIONS OF ENQUIRY

\*\* - Strike out whichever is not applicable.

Note: For evaluation of qualification of bidder:

1. For items sold by bidder as reseller, OEM certificate for country of origin to be submitted.
2. Certificate is required from Statutory Auditor or Cost Auditor (if the bidder is a company) or from a practicing Chartered Accountant or practicing Cost Accountant (if the bidder is other than a company) giving the percentage of local content.



BP 200102C

**BHARAT HEAVY ELECTRICALS LIMITED, BHOPAL  
GENERAL TERMS AND CONDITIONS OF ENQUIRY**

Company Letter head

Annexure **A**

Date: {insert date}

To,  
Bharat Heavy Electricals Limited  
Piplani  
Bhopal-462023  
Madhya Pradesh  
India

I/We hereby certify (for the period from\* \_\_\_\_\_ to \_\_\_\_\_) that,

1. {Name of company} (Vendor Code with BHEL) is a company incorporated on {insert date}{insert date} under the {Law of the Country}
2. It is a tax resident as per the Tax Laws of {country}.
3. The Company does not have and is not likely to have a permanent establishment in India as defined in Article 5 of the Agreement for Avoidance of Double Taxation between India and \_\_\_\_\_ ("the tax treaty" for short).
4. In this regard, it is further confirmed that:
  - the Company does not have or is not likely to have a fixed place of business in India through which its business is wholly or partly conducted as stipulated in Article 5 of the tax treaty
  - the Company does not have or is not likely to have any dependent agent in India as stipulated in Article 5 of the tax treaty
5. The company does not have any business connection in India as per Sec 9(1) of the Indian Income Tax Act 1961 through which business is carried on in India.

I hereby declare that the above information is correct and complete to the best of my knowledge and belief. Further I undertake to promptly inform the Company (i.e. BHEL) in writing should there be any change in the facts given above.

I/We, my/our legal heirs, executors and administrators hereby indemnify and keep indemnified the Company (i.e. BHEL) for any loss (including but not limited to tax, interest and penalty) suffered by as a result of the Company (i.e. BHEL) relying on this declaration and/or my delay/default in confirming the change, if any, in the facts mentioned above. This obligation shall be in force at all times.

This certificate is being issued to the Customer / Client / Payee to enable them to decide upon the With Holding Tax applicable on transaction with our company.

If there is any change in the above facts the same would be intimated to you.

For& On behalf of

{Insert name of the company}

Authorized Signatory with Seal

\*The period can be decided by the issuer & no fresh certificate will be asked for releasing payment within this



BP 200102C

## BHARAT HEAVY ELECTRICALS LIMITED, BHOPAL GENERAL TERMS AND CONDITIONS OF ENQUIRY

Company Letter head

Annexure **B**

Date: {insert date}

To,  
Bharat Heavy Electricals Limited  
Piplani  
Bhopal-462023  
Madhya Pradesh  
India

I/We hereby certify (for the period from \* \_\_\_\_\_ to \_\_\_\_\_) that,

1. {Name of company} (Vendor Code with BHEL) is a company incorporated on {insert date}{insert date} under the {Law of the Country}
2. It is a tax resident as per the Tax Laws of {country}.
3. The Company has its permanent establishment in India as defined in Article 5 of the Agreement for Avoidance of Double Taxation between India and \_\_\_\_\_ ("the tax treaty" for short).  
**And/or**
4. the Company has a fixed place of business in India through which its business is wholly or partly conducted as stipulated in Article 5 of the tax treaty  
**And/or**
5. the Company has agent(not of independent status) in India as stipulated in Article 5 of the tax treaty  
**And/or**
6. The company has business connection in India as per Sec 9(1) of the Indian Income Tax Act 1961 through which its business is carried on in India.

**But as far as our business dealing with your organization is concerned we are not using this permanent establishment and business connections and we are dealing directly from our office situated in \_\_\_\_\_.**

I hereby declare that the above information is correct and complete to the best of my knowledge and belief. Further I undertake to promptly inform the Company (i.e. BHEL) in writing should there be any change in the facts given above.

I/We, my/our legal heirs, executors and administrators hereby indemnify and keep indemnified the Company (i.e. BHEL) for any loss (including but not limited to tax, interest and penalty) suffered by as a result of the Company (i.e. BHEL) relying on this declaration and/or my delay/default in confirming the change, if any, in the facts mentioned above. This obligation shall be in force at all times.

This certificate is being issued to the Customer / Client / Payee to enable them to decide upon the With Holding Tax applicable on transaction with our company.

If there is any change in the above facts the same would be intimated to you.

For & On behalf of

{Insert name of the company}



BP 200102C

**BHARAT HEAVY ELECTRICALS LIMITED, BHOPAL  
GENERAL TERMS AND CONDITIONS OF ENQUIRY****FORM NO. 10F**

[See sub-rule (1) of rule 21AB]

Information to be provided under sub-section (5) of section 90 or sub-section (5) of section 90A of the Income-tax Act, 1961

I, ..... \*son/daughter of Shri..... in the capacity of .....  
(designation) do provide the following information, relevant to the previous year..... \*in my case/in the case  
of..... for the purposes of sub-section (5) of \*section 90/section 90A:—

| Sl.No | Nature of information  | : | Details # |
|-------|--|---|-----------|
| (i)   | Status (individual, company, firm etc.) of the assessee  | : |           |
| (ii)  | Permanent Account Number or Aadhaar Number of the assessee if allotted   | : |           |
| (iii) | Nationality (in the case of an individual) or Country or specified territory of incorporation or registration (in the case of others)  | : |           |
| (iv)  | Assessee's tax identification number in the country or specified territory of residence and if there is no such number, then, a unique number on the basis of which the person is identified by the Government of the country or the specified territory of which the assessee claims to be a resident | : |           |
| (v)   | Period for which the residential status as mentioned in the certificate referred to in sub-section (4) of section 90 or sub-section (4) of section 90A is applicable   | : |           |
| (vi)  | Address of the assessee in the country or territory outside India during the period for which the certificate, mentioned in (v) above, is applicable   | : |           |

2. I have obtained a certificate referred to in sub-section (4) of section 90 or sub-section (4) of section 90A from the Government of ..... (name of country or ..... specified territory outside India)

Signature: .....

Name: .....

Address: .....

Permanent Account Number or Aadhaar Number .....



BP 200102C

# BHARAT HEAVY ELECTRICALS LIMITED, BHOPAL GENERAL TERMS AND CONDITIONS OF ENQUIRY

I ..... do hereby declare that to the best of my knowledge and belief what is stated above is correct, complete and is truly stated.

Verified today the ..... day of.....

.....

*Signature of the person providing the information*

Place: .....

**Notes :**

1. \*Delete whichever is not applicable.
2. #Write N.A. if the relevant information forms part of the certificate referred to in sub-section (4) of section 90 or sub-section (4) of section 90A.



BP 200102C

## BHARAT HEAVY ELECTRICALS LIMITED, BHOPAL GENERAL TERMS AND CONDITIONS OF ENQUIRY

### **CBDT Notification dtd 28.03.2023 reg Partial relaxation in r/o filing of Form 10F electronically by select category of taxpayers**

Dear sir/Madam,

The relaxation provided by the CBDT reg. Online Filing of Form 10F by the Non-resident taxpayer for availing the benefit of DTAA, has expired on 30.09.2023. Therefore, on the expiry of the exemption period, the Income-tax department has now enabled a new category under 'Others' while registering on the income tax portal, i.e., 'non-residents not holding and not required to have PAN'.

#### Procedure for registration

- The non-resident can click on the 'Register' option on the e-filing portal, i.e., <https://www.incometax.gov.in/iec/foportal>
- Under the 'others' category, there is an option to choose 'non-residents not holding and not required to have PAN'.
- Certain basic details will need to be entered, like name, date of incorporation, tax identification number, status, and country of residence.
- The non-resident will then have to provide the details of the key person, i.e., name, date of birth, etc.
- The next step is to provide contact details, i.e., email address and mobile number, which will be verified through an OTP.
- Lastly, the non-resident will need to upload certain documents like its TRC, address proof, identification proof, and any other document if required.

Once the non-resident is registered on the portal, it can file Form 10F electronically without having to obtain a PAN in India.

In view of, It is to be ensured that while providing DTAA benefit to Non-resident, it must be ensured that e-filed Form 10F is obtained along with other documents (i.e. TRC, NO PE etc.) to avoid any additional demand, penalty, interest etc.

Manual Form 10F shall not be accepted by the I.T. Deptt. for Payment made to Non-resident on or after 01.10.2023.