



भारत हेवी इलेक्ट्रिकल्स लिमिटेड

(भारत सरकार का उपक्रम)

BHARAT HEAVY ELECTRICALS LIMITED

(A Govt. of India Undertaking)

TENDER CHANGE NOTICE 03(TCN – 03) DT:19-09-2007

WITH REFERENCE TO THE NIT, PUBLISHED IN THE WEB SITES FOR COMPLETE CIVIL, STRUCTURAL & ARCHITECTURAL WORK COVERING POWER HOUSE, TRANSFORMER YARD, MILL BAY, VARIOUS AUX BUILDINGS, CW POWER HOUSE, CW DUCT, PAVING, PIPE RACK/CABLE RACK, ROADS, DRAINS ETC FOR 1X250 MW UNIT 6 AT SANTALDIH TPS, WB.FOLLOWING CHANGES BASED ON THE REQUEST OF THE BIDDER MAY PLEASE BE NOTED AND COMPLIED WHILE SUBMITTING THE OFFER FOR THE SUBJECT JOB.

REF: TENDER DOCUMENT NO- PSER:SCT:SND-C782:07

1.0 The drawings for Earthing / Grounding details 1 and 2 are enclosed herewith. Bidders are requested to take note of those while quoting.

BIDDERS TO NOTE THAT All TCNS WILL FORM PART OF TECHNICAL SPECIFICATION & SPECIAL CONDITION OF CONTRACT OF TENDER DOCUMENT.

ALL OTHER TERMS & CONDITIONS OF THE TENDER SHALL REMAIN UNCHANGED.

BIDDERS ARE REQUESTED TO SUBMIT OFFER BY ABOVE DUE DATE.

DGM (SCT)

पावर सेक्टर पूर्वी क्षेत्र (मुख्यालय)

POWER SECTOR EASTERN REGION, DJ-9/1, SALT LAKE CITY, KOLKATA - 700 091

फैक्स/Fax : (033) 23211960 फ़ोन/Phone : बोर्ड/EPABX : 23211691 / 1684

TYPICAL ABOVE GRADE


&

BELOW GRADE

GROUNDING DETAILS

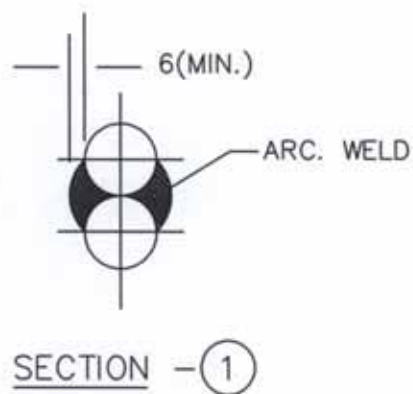
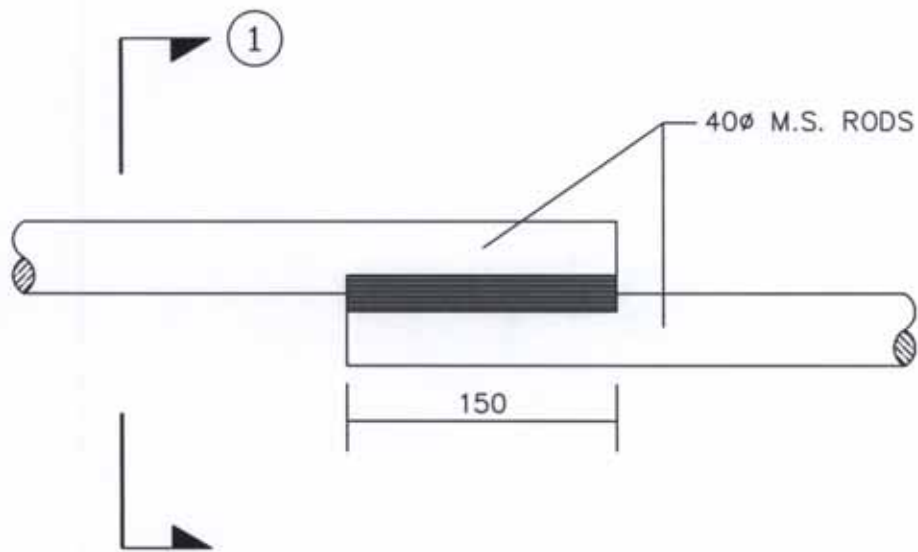
CALCUTTA ELECTRICITY SUPPLY CORPORATION (CESC) LTD.
 BUDGE BUDGE GENERATING STATION
 1 X 250 MW EXTENSION UNIT # 3

CONSULTANT : TCE CONSULTING ENGINEERS LTD. BANGALORE

266		BHARAT HEAVY ELECTRICALS LTD. POWER SECTOR PROJECT ENGINEERING MANAGEMENT NEW DELHI	<table border="1" style="width: 100%; border-collapse: collapse;"> <thead> <tr> <th>DEPT CODE</th> <th>DRN</th> <th>NAME PC</th> <th>SIGN</th> <th>DATE</th> </tr> </thead> <tbody> <tr> <td rowspan="3" style="text-align: center;">E</td> <td>BSGN</td> <td>AA</td> <td><i>[Signature]</i></td> <td>7.04.07</td> </tr> <tr> <td>CHD</td> <td>AA</td> <td><i>[Signature]</i></td> <td>7.04.07</td> </tr> <tr> <td>APPD</td> <td>MK</td> <td><i>[Signature]</i></td> <td>7.04.07</td> </tr> </tbody> </table>	DEPT CODE	DRN	NAME PC	SIGN	DATE	E	BSGN	AA	<i>[Signature]</i>	7.04.07	CHD	AA	<i>[Signature]</i>	7.04.07	APPD	MK	<i>[Signature]</i>	7.04.07
DEPT CODE		DRN	NAME PC	SIGN	DATE																
E	BSGN	AA	<i>[Signature]</i>	7.04.07																	
	CHD	AA	<i>[Signature]</i>	7.04.07																	
	APPD	MK	<i>[Signature]</i>	7.04.07																	
CONTRACT																					
DISTRIBUTION																					

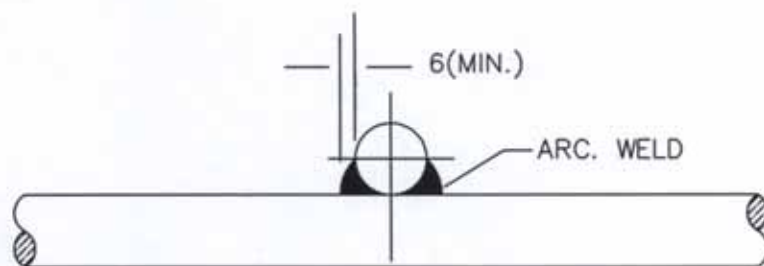
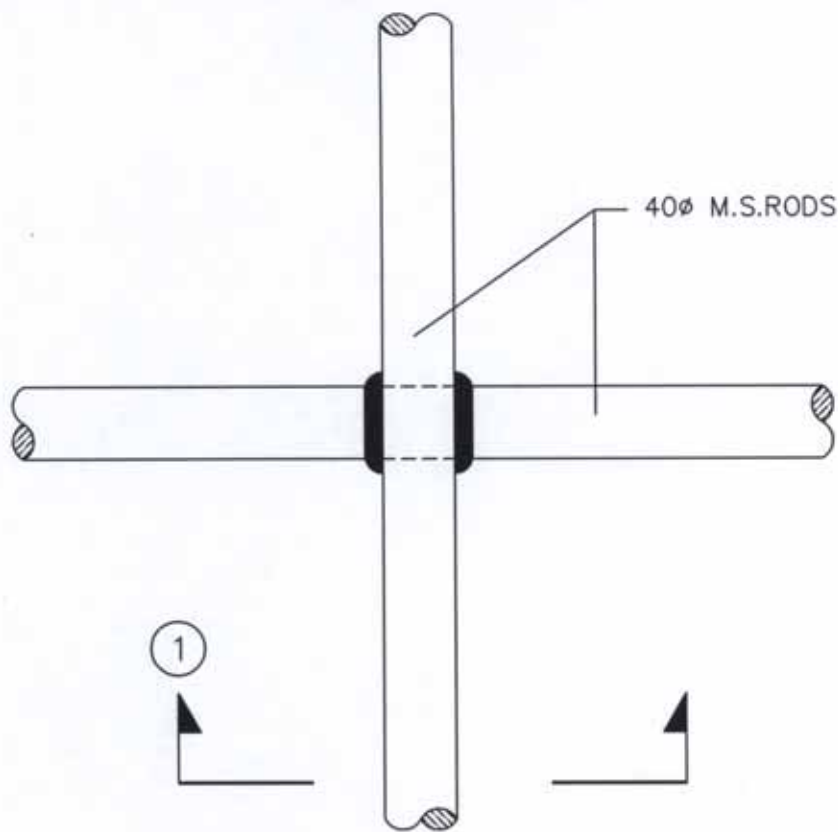
TITLE **TYPICAL ABOVE GRADE & BELOW GRADE GROUNDING DETAILS**

DRAWING NO. **PE-DG-266-509-E603**
 SHEET 1 OF 28 REV. 0



LAP JOINT
BETWEEN M.S. RODS

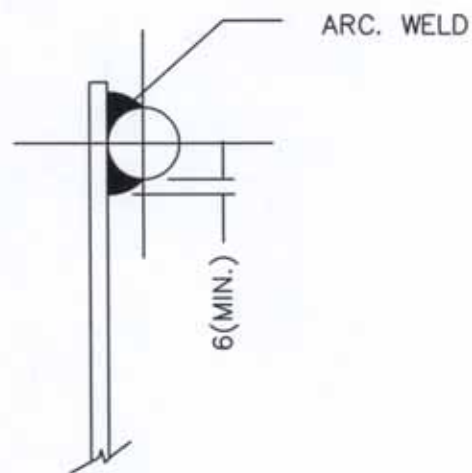
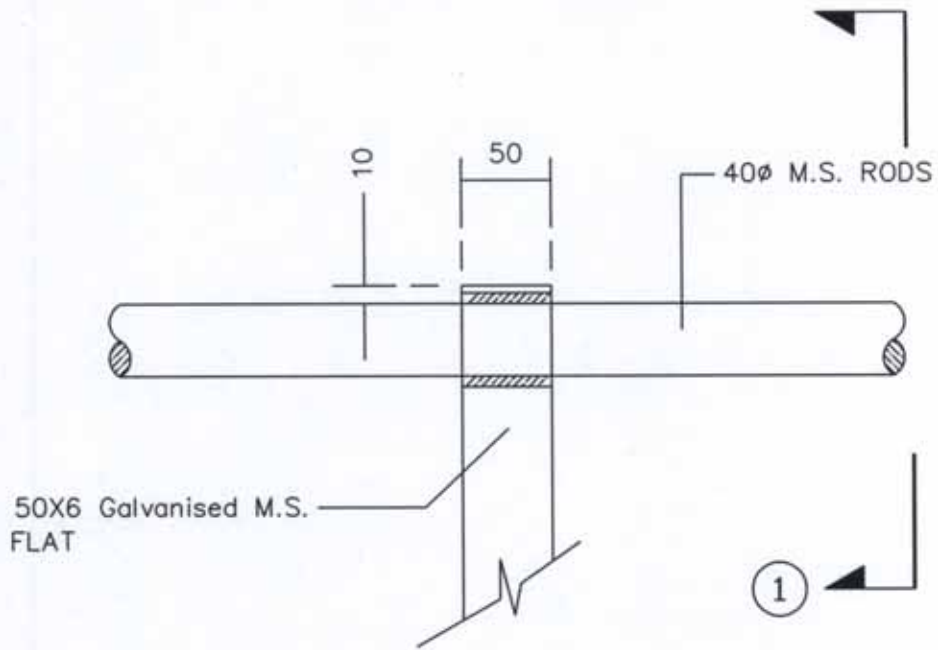
TITLE	TYPICAL ABOVE GRADE & BELOW GRADE GROUNDING DETAILS	BHEL DRAWING No. PE-DG-266-509-E603
		REV. No. 0
		SHEET 2 OF 28



SECTION - ①

CROSS JOINT
BETWEEN M.S. RODS

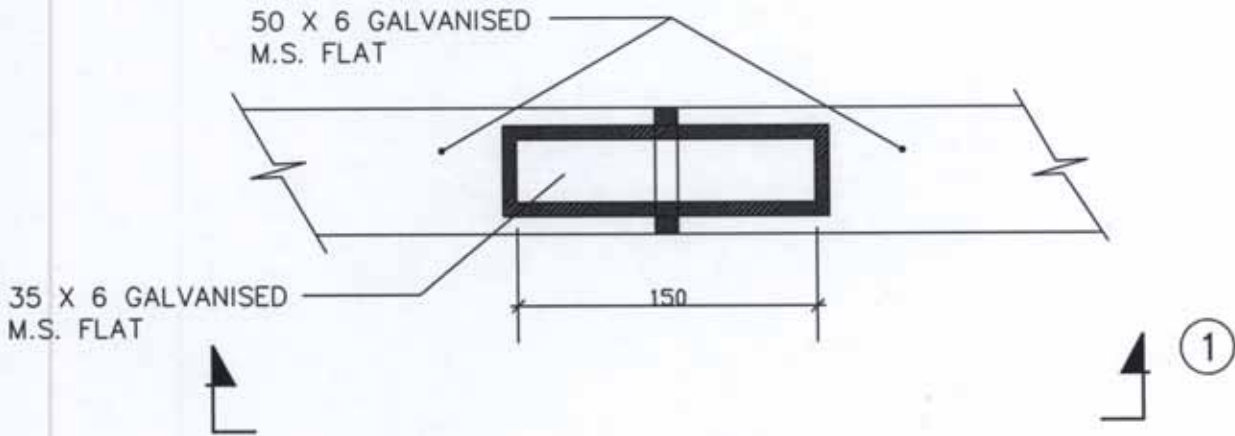
TITLE TYPICAL ABOVE GRADE & BELOW GRADE GROUNDING DETAILS	BHEL DRAWING No. PE-DG-266-509-E603
	REV. No. 0
	SHEET 3 OF 28



SECTION - ①

CROSS JOINT
BETWEEN M.S. ROD & GALVANISED M.S. FLATS

TITLE TYPICAL ABOVE GRADE & BELOW GRADE GROUNDING DETAILS	BHEL DRAWING No. PE-DG-266-509-E603
	REV. No. 0
	SHEET 4 OF 28



SECTION - ①

BUT JOINT
BETWEEN GALVANISED M.S. FLATS

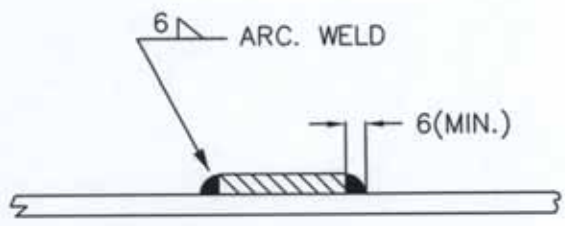
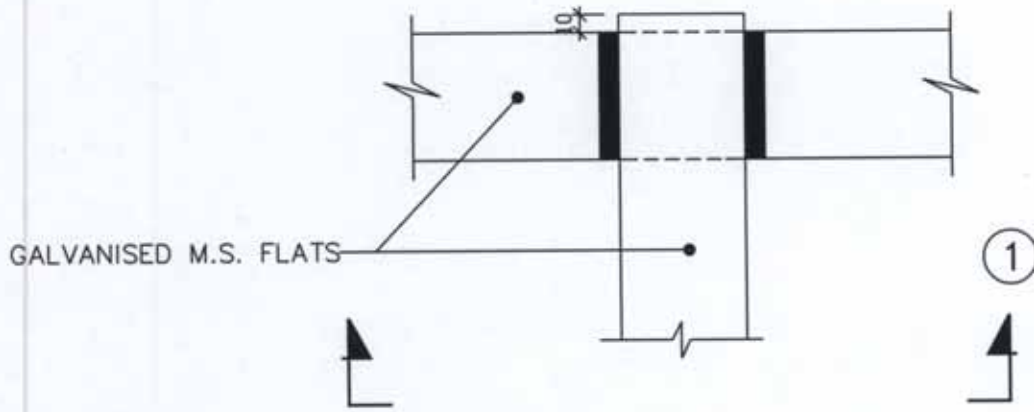
TITLE

TYPICAL ABOVE GRADE & BELOW GRADE
GROUNDING DETAILS

BHEL DRAWING No.
PE-DG-266-509-E603

REV. No. 0

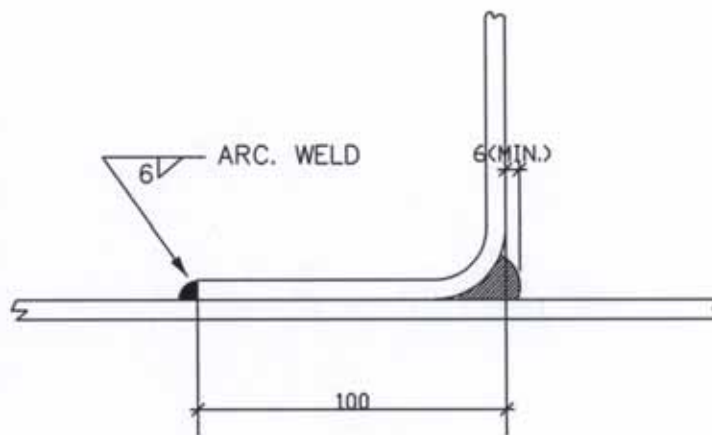
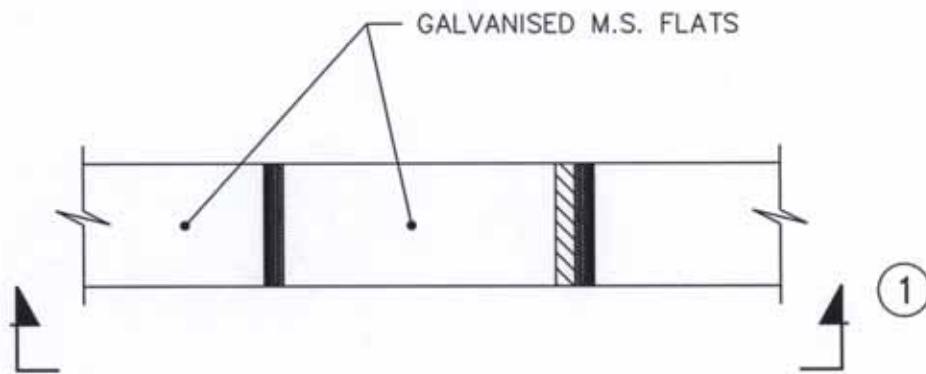
SHEET 5 OF 28



SECTION - 1

CROSS JOINT
BETWEEN GALVANISED M.S. FLATS

TITLE TYPICAL ABOVE GRADE & BELOW GRADE GROUNDING DETAILS	BHEL DRAWING No. PE-DG-266-509-E603
	REV. No. 0
	SHEET 6 OF 28



SECTION - ①

ANGULAR JOINT
BETWEEN GALVANISED M.S. FLATS

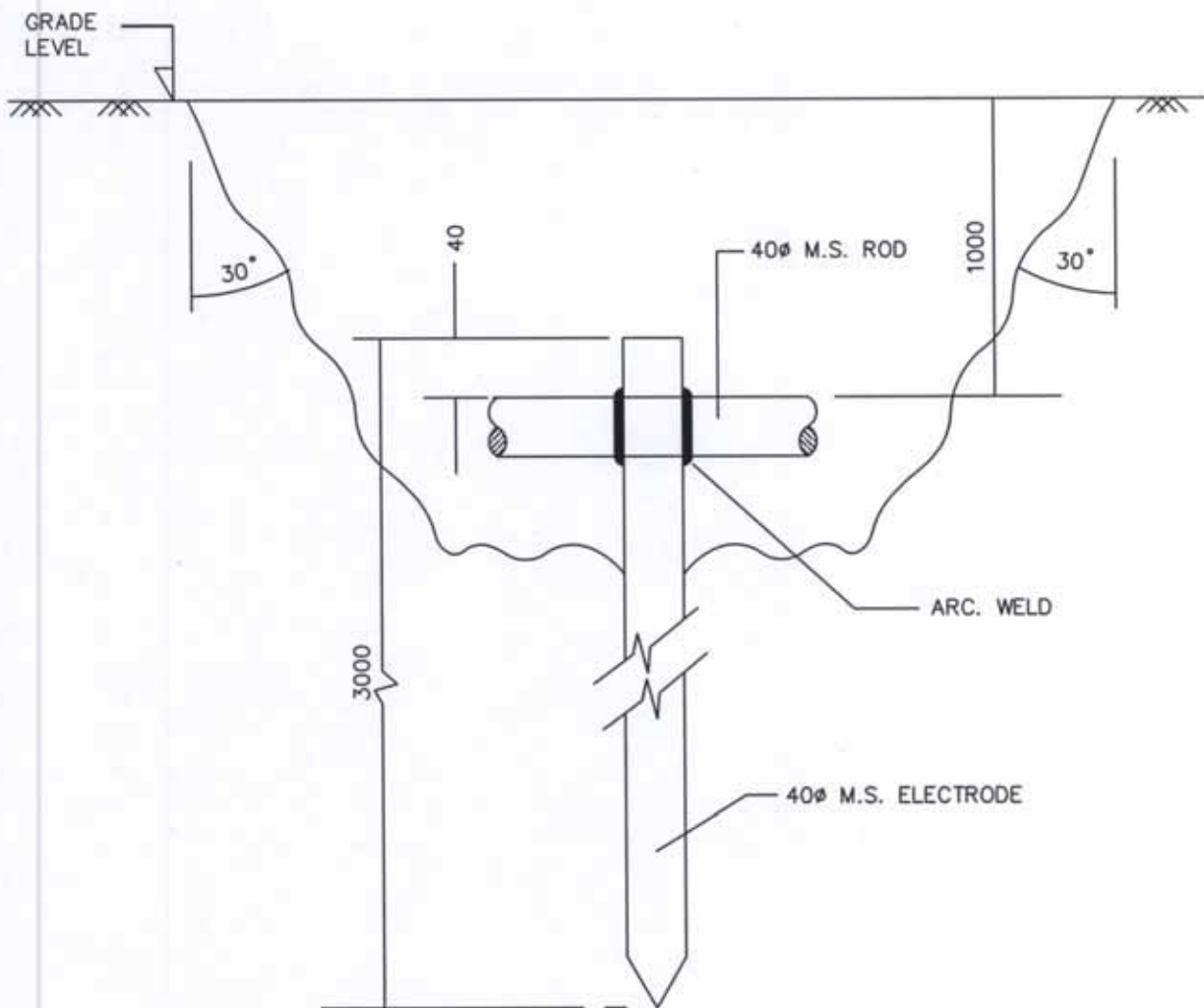
TITLE

TYPICAL ABOVE GRADE & BELOW GRADE
GROUNDING DETAILS

BHEL DRAWING No.
PE-DG-266-509-E603

REV. No.
0

SHEET 7 OF 28



GROUND ELECTRODE

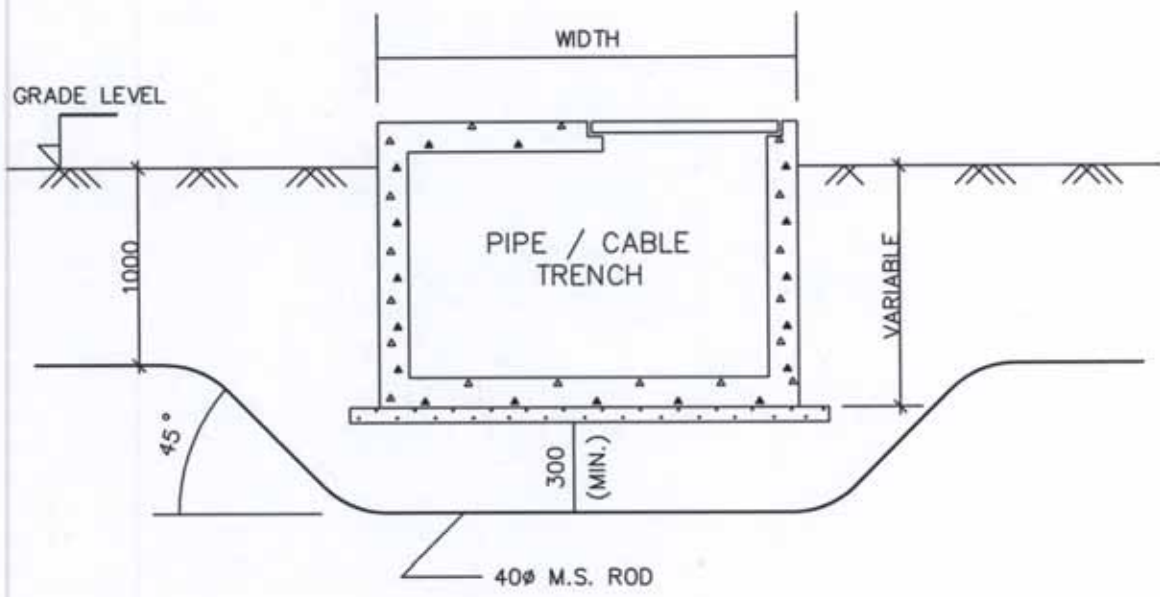
TITLE

TYPICAL ABOVE GRADE & BELOW GRADE
GROUNDING DETAILS

BHEL DRAWING No.
PE-DG-266-509-E603

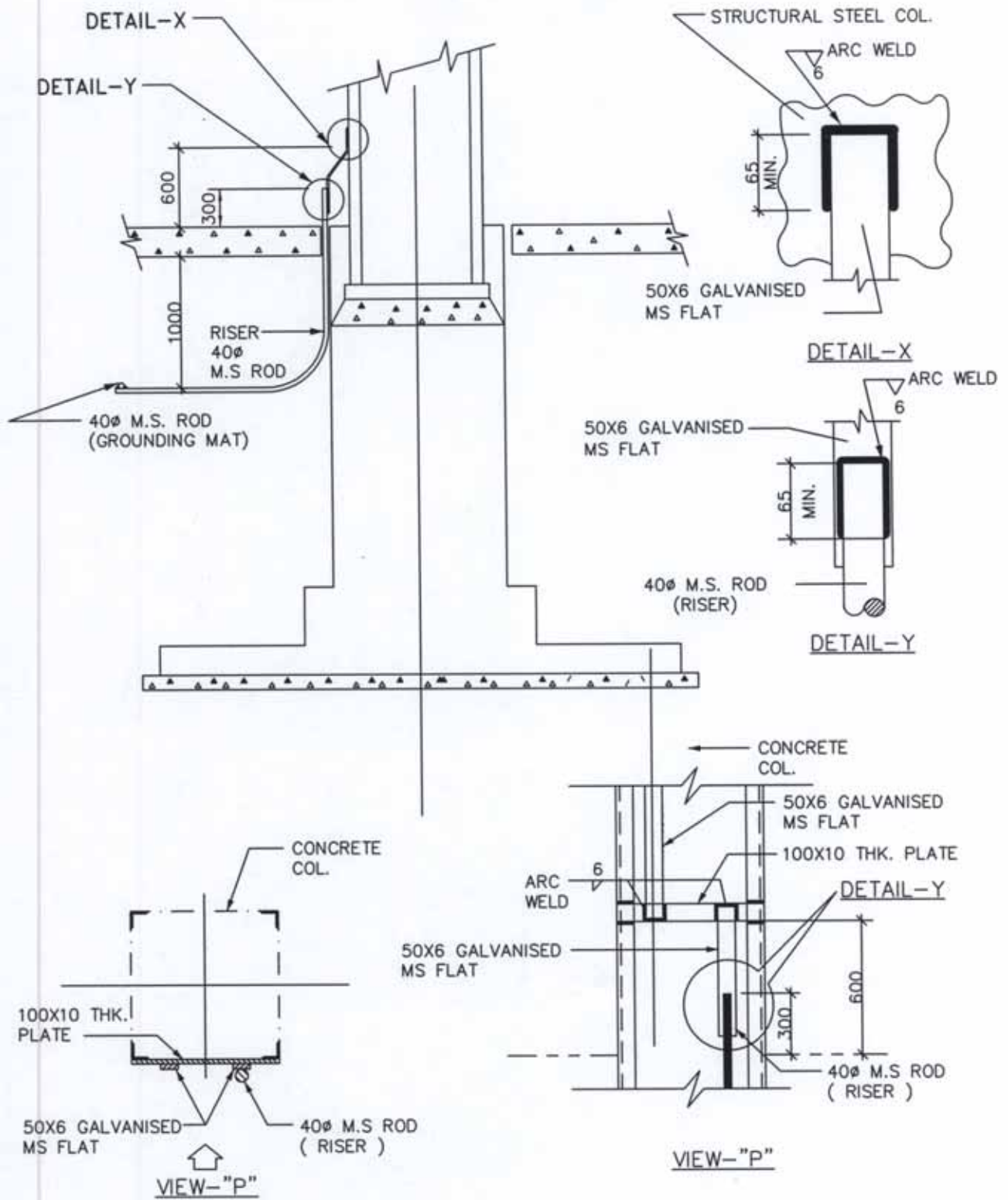
REV. No.
0

SHEET 8 OF 28



TRENCH CROSSING
OF GROUNDING CONDUCTOR

TITLE	TYPICAL ABOVE GRADE & BELOW GRADE GROUNDING DETAILS	BHEL DRAWING No. PE-DG-266-509-E603
		REV. No. 0
		SHEET 9 OF 28



GROUNDING OF STEEL & CONCRETE COL.

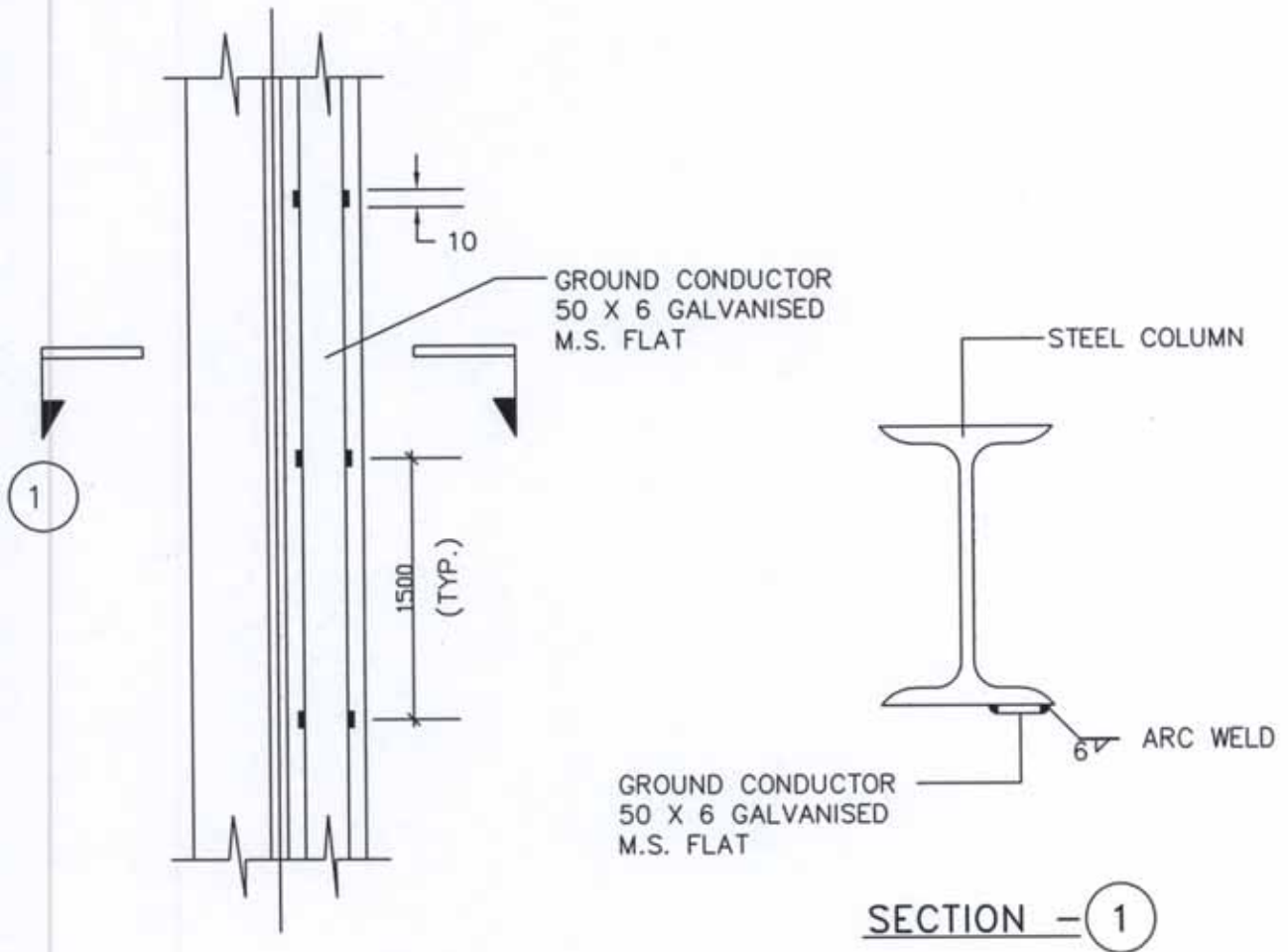
TITLE

TYPICAL ABOVE GRADE & BELOW GRADE
GROUNDING DETAILS

BHEL DRAWING No.
PE-DG-266-509-E603

REV. No.
0

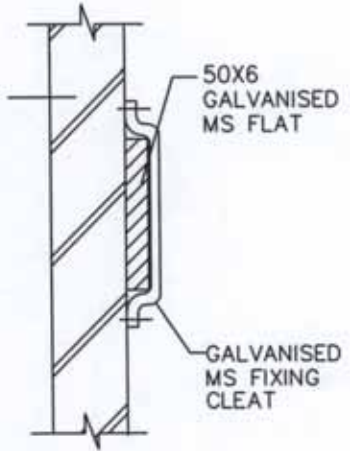
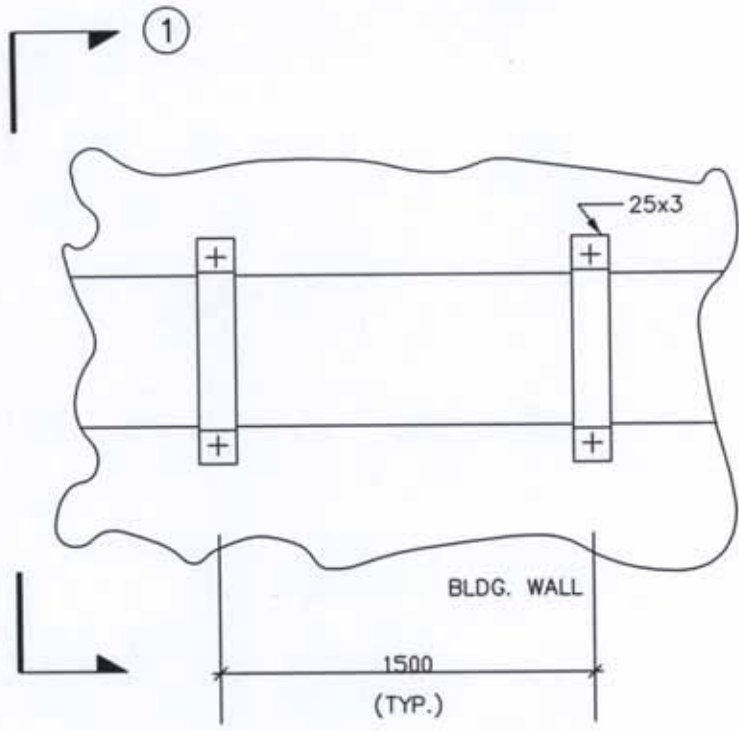
SHEET 10 OF 28



EARTHING CONDUCTOR
ALONG STEEL COLUMN

TITLE	BHEL DRAWING No. PE-DG-266-509-E603
	REV. No. 0
	SHEET 11 OF 28

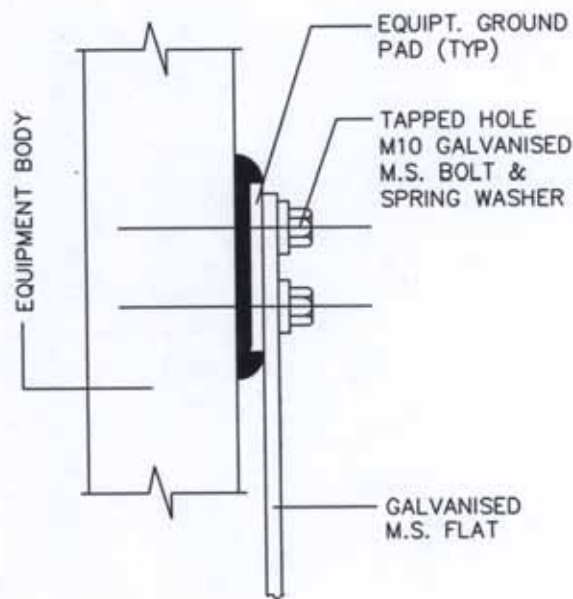
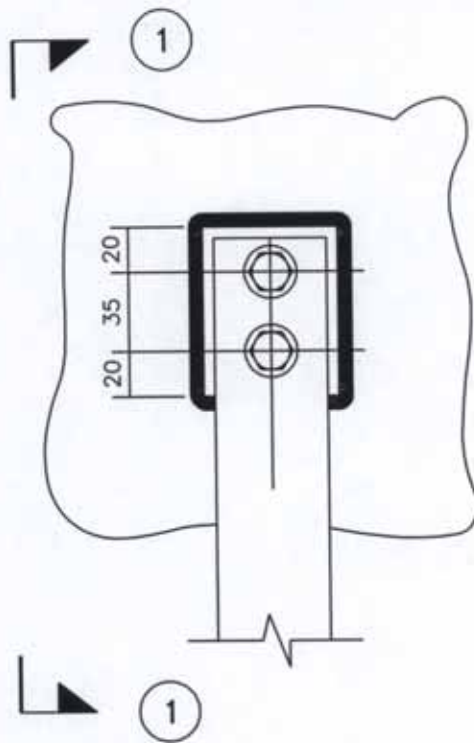
TYPICAL ABOVE GRADE & BELOW GRADE
GROUNDING DETAILS



SECTION - ①

EARTHING CONDUCTOR
ALONG BUILDING WALL

TITLE TYPICAL ABOVE GRADE & BELOW GRADE GROUNDING DETAILS	BHEL DRAWING No. PE-DG-266-509-E603
	REV. No. 0
	SHEET 12 OF 28



SECTION - ① - ①

EQUIPMENT GROUNDING

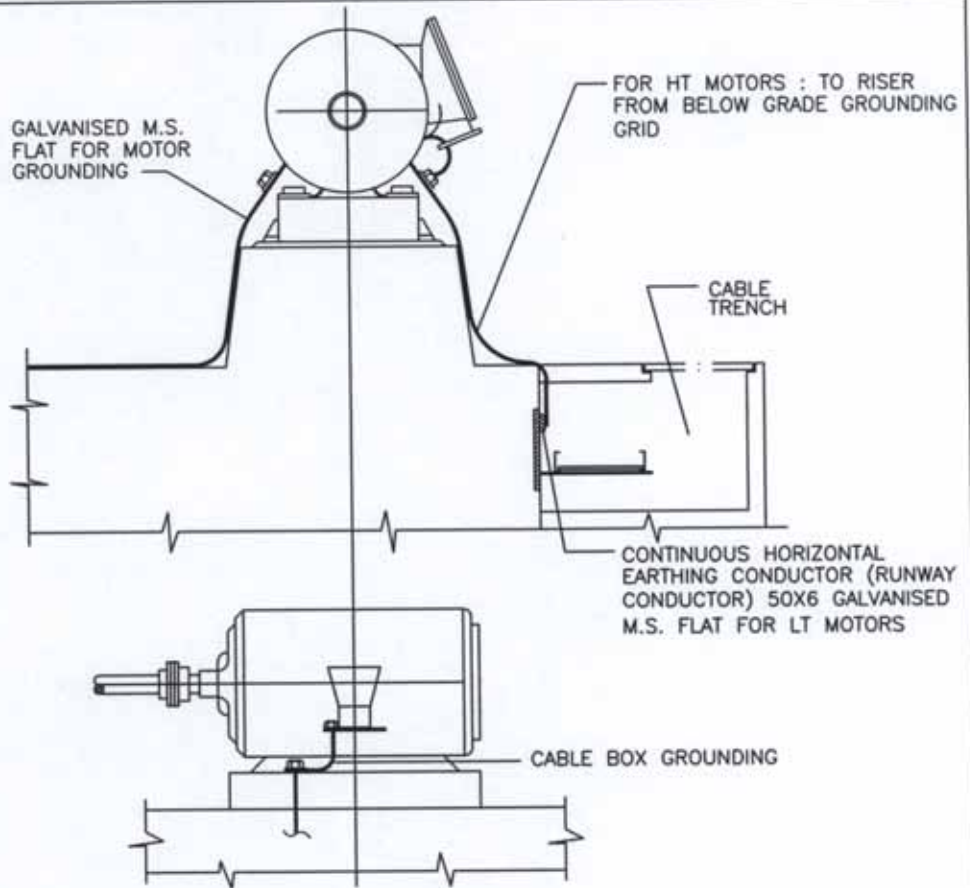
TITLE

TYPICAL ABOVE GRADE & BELOW GRADE
GROUNDING DETAILS

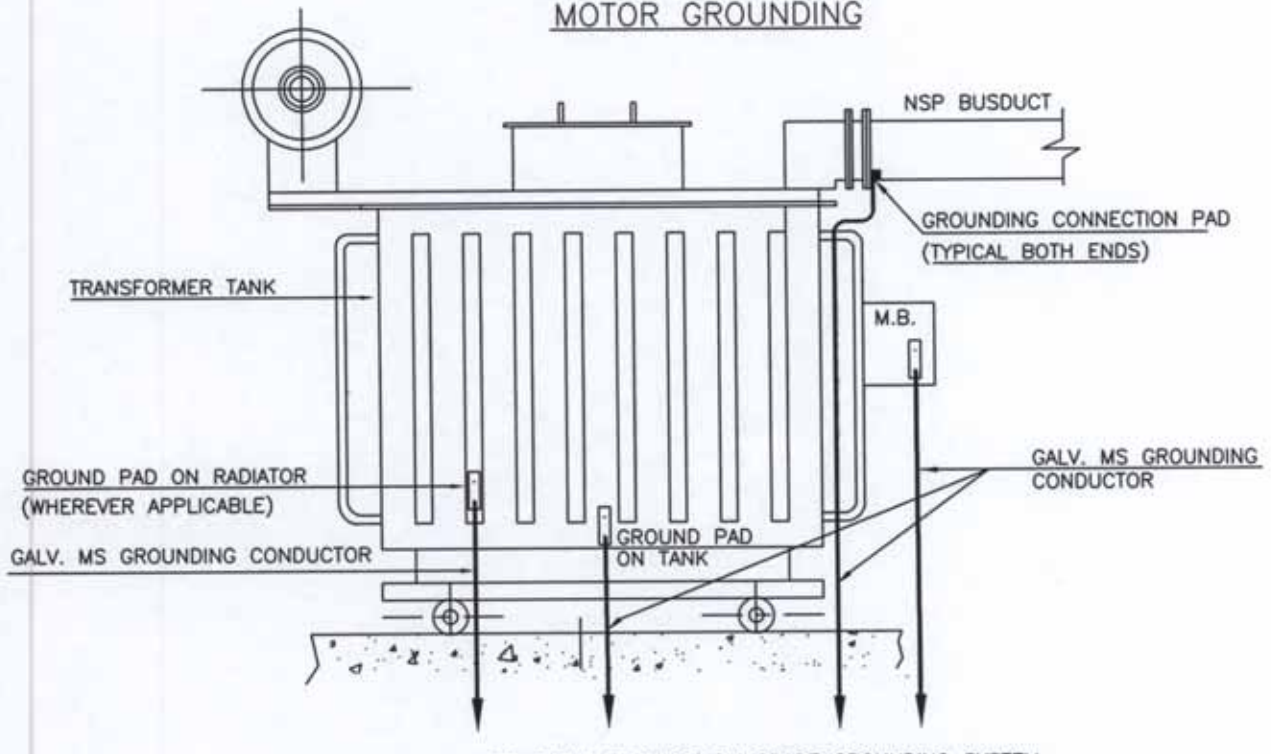
BHEL DRAWING No.
PE-DG-266-509-E603

REV. No.
0

SHEET 13 OF 28



MOTOR GROUNDING



TO RISER FROM BELOW GRADE GROUNDING SYSTEM (ONE EACH ON OPPOSITE SIDES)

TRANSFORMER GROUNDING

<p>TITLE</p> <p>TYPICAL ABOVE GRADE & BELOW GRADE GROUNDING DETAILS</p>	<p>BHEL DRAWING No.</p> <p>PE-DG-266-509-E603</p>
	<p>REV. No.</p> <p>0</p>
	<p>SHEET 14 OF 28</p>