

TENDER ENQUIRY NO.: X/6620/2023/0779/F

SUB: - TERMS & CONDITIONS FOR FABRICATION OF COOLER HOUSING FRAME

NIT-Notice Inviting Tender

Salient Details of Notice Inviting Tender (NIT)		
Sl. No.	Issue	Description
1.	Item details	As per Enquiry Annexure X/6620/2023/0779/F/1
2.	Issue of Tender Documents	From BHEL eProcurement website https://eprocurebhel.co.in/nicgep/app (Tender documents will be available for downloading from BHEL e-Procurement website till due date of submission)
3.	Due Date Of Offer Submission	Date: -27.04.2024 Time: 13:45 hrs https://eprocurebhel.co.in/nicgep/app Offer to be submitted in online only through e-procurement Portal. (Bidders are requested to visit website to view corrigendum/ addenda/ amendments/ extension/ modification etc. before submitting offer).
4.	Opening of Tender (Techno-Commercial Bid)	Date: -27.04.2024 Time: 14.00 Hrs Notes: This tender being an e-tender, it shall be opened online only through the E-Procurement Portal. Participating bidders may witness the Opening online only.
5.	Cost of Tender	INR 2000/- (If hard copy of tender document is required from BHEL otherwise not applicable.)
6.	EMD (Earnest Money Deposit)	0
7.	Schedule Of Pre-Bid Discussion	Not Applicable
8.	Integrity Pact & Details of Independent External Monitor (IEM)	Not Applicable
9.	Latest Updates	Latest updates on the important dates, Amendments, Correspondences, Corrigenda, Clarifications, Changes, Errata, Modifications, Revisions, etc to Tender Specifications will be hosted in BHEL e-tender portal https://eprocurebhel.co.in/nicgep/app and not in the newspapers. Bidders to keep themselves updated with all such information

Please submit your offer only for the above requirement subject to our **GENERAL INSTRUCTIONS AND STANDARD TERMS & CONDITIONS (Version: June-2021, Rev.06)**. Please visit our site www.hwr.bhel.com for General Instructions and Standard Terms & Conditions (GISTC) for Tender Enquiries. All the bidders/vendors must ensure compliance of these GISTC. GISTC can also be referred by login to B2B Portal for Registered Vendors.

Tender Fee & EMD (If Applicable) will be submitted in the form of Pay Order / Demand Draft (drawn in favor of 'BHEL HARIDWAR') only. It may be noted that if hard copy of any tender document is required, then the same may be collected against copy of Pay Order / Demand Draft of requisite tender fee (while original to be submitted with Part-I).

TENDER ENQUIRY NO.: X/6620/2023/0779/F

If EMD is not submitted along with the offer, then the offer may not be considered.

For E-Payment, the RTGS details are mentioned as below:

Bank Details	SWIFT Details of bank
STATE BANK OF INDIA RANIPUR BRANCH, OPP: BHEL MAIN GATE, SECTOR-5, RANIPUR, HARIDWAR, UTTRAKHAND, INDIA PIN CODE : 249403	SWIFT NO.: SBININBB225 CC ACCOUNT NO.: 10667995458 IFSC CODE: SBIN0000586

As per notification reference no. NSIC/HO/GP/15(4)/2013-14 dated 07.07.2013 Micro & Small Enterprises (MSEs) are not required to submit Tender fees. A Valid MSE certificate such as Udyog Aadhar (UAN)/Udyam Certificate/NSIC/EM (Part-II) etc. issued from competent authority shall be submitted in support of Micro & Small Enterprises (MSEs).

“As per the OM No. F. No. 1(2)(1)/2016-MA dated. 09.02.2017 issued from the Office of Development Commissioner (Micro, Small & Medium Enterprises), “Traders and agents should not be allowed to avail the benefits extended under the PP Policy.”

Central / State – PSUs / Government departments are exempted from submission of EMD subject to approval by BHEL management.

BHEL will forfeit the EMD if, the successful bidder / vendor refuses to honor the order after award of the same on him and / or withdraws his bid and / or unilaterally changes the offer and / or any of its terms & conditions within the validity period.

INSTRUCTIONS TO BIDDERS FOR SUBMITTING OFFER

TECHNICAL QUALIFICATION: Technical Requirement, Pre-Qualifying Requirements/PQR to be submitted. It is the mandatory requirement. Offer of vendors not meeting these requirements may not be considered.

ESSENTIAL INSTRUCTIONS

The tender shall be **submitted in two parts** in separate cover as described below on or before the due date:

Part I (Cover-1) - Containing the following:

1. Techno -Commercial Bid
2. Tender Fee & EMD (Earnest Money Deposit) Or Valid certificate/Document towards exemption of Tender fee and/or EMD (applicable for Micro and small Enterprises, Central / State – PSUs / Government departments, PMD vendors etc.)

Part II (Cover-2) - Containing Price Bid in attached Format

Bidders against tender will necessarily have to obtain class – III DSCs. Procedure for application available on www.bhel.com.

E-Procurement Portal Inputs

TENDER ENQUIRY NO.: X/6620/2023/0779/F

Procedure for Submission of Offer for E – Tender-Procedure for Submission of Tender is available in the “Bidder Manual for BHEL Bidders” at E-tender portal <https://eprocurebhel.co.in/nicgep/app> . Terms and conditions mentioned therein shall form integral part of the NIT and bidders shall abide by the same.

Hardware and Software requirements for participating in e-tender

Please refer the website for the minimum system requirements and setting document for Bidders under the link: <https://eprocurebhel.co.in/nicgep/app>

Digital Signature

To know the procedure for obtaining Digital Signature Certificate (DSC), suppliers who are not having the DSC are advised to visit our website [http://www.bhel.com/home.php/Tender Notifications/Sample Checklist](http://www.bhel.com/home.php/Tender%20Notifications/Sample%20Checklist).

NIC portal Helpdesk Contacts

For any technical related queries please call at 24 x 7 Help Desk Number

0120-4001 002

0120-4200 462

0120-4001 005

0120-6277 787

International bidders are requested to prefix 91 as country code

Email Support

Address: A) For any Issues or Clarifications relating to the published tenders, bidders are requested to contact the respective Tender Inviting Authority
Technical - support-eproc@nic.in

Note

Offers/tenders submitted in the E-tender portal shall only be considered for further evaluation. Offers sent by FAX / E-mail / any mode other than E-tender would not be entertained.

The Tenderers must submit their Tenders, as detailed below:

SPECIAL NOTE: All documents to be submitted should be uploaded in respective places in the E-Tender portal as per the list mentioned given in this NIT. BHEL shall not be responsible for incomplete documents.

SUB: - TERMS & CONDITIONS FOR FABRICATION OF COOLER HOUSING FRAME
WITH BHEL MATERIAL

Online offers are invited through e-procurement portal <https://eprocurebhel.co.in/nicgep/app> from suppliers for the supply of the items.

The item name and drawing no. mentioned in the enquiry is for reference & will be available for ordering. A sample of Combined Bill of Materials and all reference drawings are also enclosed for having a general idea of the tender.

1. **SCOPE OF WORK:** - This enquiry is for pre-fabrication machining & fabrication of following items with BHEL Material as per drawing, QP & other specifications.

Sl. No.	Item Description	Drg. No.	Qty.	BHEL Material Weight /Piece	Total Weight (in kg.)
1	COOLER HOUSING FRAME	0135130103500	2	25580 Kg	51160 Kg

Remark - Total load for the enquiry (Approximately) = 51160 Kg.

T.R. And instructions of the drawings are to be strictly followed.

The rate (s) should be quoted in Rupees/Kg.

I) Instructions for COOLER HOUSING FRAME:

- Technical requirements (TR) is mandatory for all part items and the assembly and welding process as outlined in drawings must be strictly followed and no deviation allowed.
- Use sequential welding & technological supports (in scope of vendor only) wherever required in order to avoid distortions, maintaining vertically and to meet drawing requirement. Must be strictly followed.
- Vendor to submit the manufacturing plan to BHEL and clearance to be taken for the same from BHEL prior to start of assembly and welding work.
- Prior to commencing final welding, the vendor is required to get the assembly fit-up checked by BHEL (Block-2).
- Item no 56 of BOM 01351301035-00 is not in scope and final SR of complete assembly will be in scope of BHEL.
- All pre-fabrication machining will be in scope of vendor.
- Ensure that the centre and centrelines of item no. 13 & 14 precisely align with the centre of the side wall & check the cooler opening size. This alignment is crucial for maintaining symmetry and achieving a seamless fit during assembly.
- To assemble and tack weld item no. 20 & 21 and use technological support to maintain verticality.
- To assemble and tack weld item no. 39 & 40, item no. 41 & 42 and use technological support to maintain verticality.

- j. Final fettling/ cleaning & NDT after SR will be in scope of vendor.
- k. The opening in item 12 should be verified using the template provided by BHEL.
- l. Check X & Y centrelines in item number 11 & 12 (already marked in machining) and punch both sides.
- m. Final painting of job in the BHEL scope.
- n. Customer's seal (if any on supplied material) to be transferred.
- o. All special tests viz., UT, RT, HYDRAULIC & KEROSENE etc are to be performed as per drawing requirements.
- p. Cleaning of parts removal of mill scale from components prior to assembly will be in scope of vendor.
- q. Final assembly shall undergo cleaning to ensure that all parts are free from dents, mills, spatters.
- r. Aesthetic appearance shall also be ensured and inspected before delivery to BHEL.
- s. S/R, S/B before final assembly, if required will be done at BHEL.
- t. CHP clearance may be obtained from NTPC/LLOYD/RITES/NPC at party end.
- u. Any assembly, welding & NDT work as per drawing/ QP, after SR/SB inclusive customer clearance shall be done by supplier at BHEL.

2. VALIDITY: -

The validity of offers by vendors should be at least for a period of **90 days for this enquiry from the date of enquiry opening.**

3. SUBMISSION OF OFFERS: -

Open tender is hoisted on the <https://eprocurebhel.co.in/nicgep/app> and no hard copy of document is provided by BHEL, no tender fee shall be insisted upon from the bidders.

The offer is to be submitted in **two parts** on NIC portal only on website: <https://eprocurebhel.co.in/nicgep/app>

BHEL reserves the right to reject any or all the tenders either in full or part thereof without assigning any reasons thereof.

4. DELIVERY: -

F.O.R.: HEEP, BHEL Haridwar.

5. DELIVERY SCHEDULE: -

Sl. No.	Item Description	Drg. No.	Qty.	Delivery
1	COOLER HOUSING FRAME (WELDED)	0135130103500	2	60 Days from last BHEL material sent to vendors work

If last material of both the cooler housing are sent together then delivery of first cooler housing will be 60 days from last material sent and delivery date for next cooler housing will be **60 days + 30 days i.e. 90 days.**

6. Bank Guarantee/Indemnity Bond: - 10 % Bank Guarantee and 90% Indemnity Bond for the value of materials to be given by vendor for free issue materials. Material value will be calculated on

PPMIV/Challan value basis. On intimation from BHEL regarding BG & IB, the same shall be provided by the vendor (s) within 15 Days. If suitable BG and IB are not submitted to BHEL within 15 days of intimation, then the amount of days delayed beyond 15 days after intimation will be deducted from delivery days of that item and consequent PO amendment will be issued.

For Example: If intimation for requirement of BG & IB of an item of a PO is given to vendor on 01.04.2023 from BHEL, then vendor should mandatorily provide required BG and IB by 15.04.2023. In case, the vendor provides the same by 30.04.2023, then the difference of 15 days (between 30.04.2023 & 15.04.2023) will be deducted from delivery days of that item and consequent PO amendment will be issued.

7. INSPECTION: -

- The inspection will be carried out by BHEL/BHEL nominated inspection agency at Party's works. All facilities and equipment's, calibrated instruments and standard gauges required for inspection shall be provided by the vendor during inspection. In some cases, inspection by customer's representatives like NTPC/RITES etc. may also be carried out at Party's works and CHP clearance may be obtained. No additional charges will be paid on this account.
- The party is to follow system for material control, if applicable, as per BHEL Quality Control system.
- Identification marks shall be punched on each item by the vendor i.e. Purchase Order No., Drawing No., IR No. etc.
- Aesthetic appearance is to be maintained as per drg. requirement.

8. GUARANTEE CERTIFICATE: -

The vendor shall warrant that the supplied fabricated assemblies/items comply fully with the drawings and other technical conditions. If the fabrications/items are found defective owing to faulty workmanship/incomplete work within a period of eighteen (18) months from the date of dispatch, the vendor shall make good of it/replace the same free of cost. Alternatively, the rework/replacement charges will be recovered.

9. PAYMENT TERMS: -

- 9.1 90% after acceptance & final clearance of SRIV. 10% after FTS and final account of material.
- 9.2 No packing and forwarding charges will be paid extra.
- 9.3 In case of rejection, total cost of material will be recovered in case of BHEL Material and no labour cost will be paid.
- 9.4 For MSEs (covered under MSME Act) which are registered and periodically renewed with BHEL, the payment will be made within 45 days or as prescribed in the relevant act.
- 9.5 Detailed terms at clause 10.0 of GISTC Rev. 06, June 2021.

10. LD CLAUSE: -

@ 0.5% per week subject to max 10% for the delayed portion of supply. The entry date mentioned by CISF on the challan at BHEL material gate will be taken as material receipt date.

11. GST: -

As per clause 11.0 of GISTC (attached). At present GST rate applicable for this enquiry will be 12%. However, it will be as applicable as per Govt. guidelines/circulars.

12. QUALITY REQUIREMENTS: -

Inspection by BHEL/BHEL nominated inspection agency as per drawing /Standard and quality plan requirements.

Quality plan no. QP/QA/216443 rev 00 dated 16.02.2024 is attached, which is to be followed.

13. REVERSE AUCTION: -

“BHEL shall be resorting to Reverse Auction (RA) (Guidelines as available on www.bhel.com) for this tender. RA shall be conducted among the techno-commercially qualified bidders.

Price bids of all techno-commercially qualified bidders shall be opened and same shall be considered for RA. In case any bidder(s) do(es) not participate in online Reverse Auction, their sealed envelope price bid along with applicable loading, if any, shall be considered for ranking.” For detailed terms and conditions of RA guidelines, kindly refer www.bhel.com.

14. EVALUATION OF BIDS:

All vendors will be assessed on total cost to BHEL basis that includes freight, taxes, ITC etc. Item wise evaluation will be applicable for this enquiry.

In the course of evaluation, if more than one bidder happens to occupy L1 status, L1 bidder shall be decided by toss/draw of lots, in the presence of respective L1 bidder(s) or their representative(s). Ranking will be done accordingly. BHEL’s decision in such situation shall be final and binding.

15. TRANSPORTATION: -

Transportation of PPMIV material (raw material) will be in scope of BHEL and the freight will be borne by BHEL. However, the same will be loaded into the cost quoted by vendor in RA sheet. Vendor to deliver fabricated/machined/formed items to BHEL Haridwar at their own cost.

16. SCRAP: -

- Generated scrap is to be retained by the sub-contractor. This scrap is chargeable. The scrap rate will be calculated based on the monthly market scrap price Published in JPC Bulletin (Govt. of India Constitution)/any other document under category of scrap MELTING SCRAP/any other similar category. The calculated monthly price for charging scrap will be rounded off to two decimal places of Rupee. GST charges on scrap shall also be applicable.
- BHEL would recover the amount of GST and Trade Tax as applicable from the sub-contractor’s account in lieu of scrap retained by them. The difference between raw material weight and finalized weight shall be considered for the calculation of scrap generation.
- A 3% invisible cutting allowance may be given on the finished weight.

17. RECTIFICATION: -

Any defect (noticed at Shop) arising out of the fabrication/machining/forming done by the Sub-Contractor, will have to be rectified or items replaced by the sub-contractor within 10 days at their own cost. Otherwise BHEL will be free to take necessary action as deemed fit and consequence/cost of the same will be to subcontractors-account.

18. RISK PURCHASE: -

In case of abnormal delays (beyond the maximum late delivery period as per LD clause) in supplies / defective supplies or non-fulfillment of any other terms and conditions given in Purchase Order, BHEL may cancel the Purchase Order in full or part thereof, and may also make the purchase of such material from elsewhere / alternative source at the risk and cost of the supplier. BHEL will take all reasonable steps to get the material from alternate source at optimum cost. If bidder does not agree to the above Risk Purchase Clause, BHEL reserves the right to reject the offer. In case for compelling reasons BHEL accepts the offer without acceptance of this clause by the bidder and in the eventuality of Risk Purchase, appropriate action will be taken as per BHEL extant rules. This will be without prejudice to any other right of BHEL under the contract or under General Law

Action against Bidders / vendor / supplier / contractor in case of default:

In order to protect the commercial interests of BHEL, BHEL shall take action against supplies / contractors by way of suspension of business dealings, who either fail to perform or are in default without any reasonable cause, cause loss of business/ money/ reputation, indulge in malpractices, cheating, bribery, fraud or any other misconduct or formation of cartels so as to influence the bidding process or influence the price etc.

Suspension of Business Dealings could be in the form of "Hold" or "Banning" a supplier/ contractor or a bidder and shall be as per "Guidelines for Suspension of Business Dealings with Suppliers/ Contractors" available at BHEL's website "<https://www.bhel.com/guidelines-suspension-business-dealings-suppliers-contractors>".

19. DISTRIBUTION OF LOADS: -

Load will be placed on L1 Vendor.

20. GENERAL INSTRUCTIONS: -

20.1 No further sub-contracting to third party or sister concern by the sub-contractor is allowed Without prior permission of BHEL. If found guilty, will be debarred.

20.2 BHEL reserves the right to suspend/cancel the PO/Enquiry unilaterally without any financial repercussions, if Sub-contractor's performance is not found to be satisfactory.

20.2.1 BHEL reserves the right to revise the drawing after placement of purchase order. The prices in the purchase order will be amended according to revised drawing.

20.3 Please refer general instructions and standard terms & conditions (GISTC) for bidding against tender enquiry (version June-2021, Rev:06) the bidder/vendor must ensure compliance of these GISTC (version June-2021, Rev:06). Please refer <https://hwr.bhel.com>.

20.4 MSE suppliers are exempted for submission of EMD & Tender Fee.

20.5 Central / State – PSUs / Government departments are exempted from submission of EMD subject to approval by BHEL management.

20.6 Documents submitted with the offer/bid by the bidder should be signed and stamped in each page by authorized representative of the bidder.

20.6.1 PQR required documents is to be submitted along with the Techno- Commercial offer (PART-I).

Note: - Offer shall be entertained only after submission of duly filled, signed and stamped PQR and relevant documents. Offers of the vendor(s) not submitting this may be ignored.

20.7 Vendor Contract clause regarding GST ITC and provision for E-invoices:

(i) E-invoicing under GST is being implemented w.e.f. 01.04.2022 for all the taxable persons having turnover more than Rs. 10 Cr. It has been specified by the Govt. that it is mandatory to mention a valid unique Invoice Reference No. (IRN) and QR code as generated from Govt. portal on a Tax Invoice. Based on such information, GST ITC as claimed by BHEL in GST Returns shall be matched with the corresponding details

uploaded by supplier in E-invoicing System.

(ii) In case the vendor /contractor delays or fails to provide all the documents as per the Purchase order / Work Order at the time of submitting Tax invoice to BHEL, any subsequent financial loss to BHEL on account of vendor/contractor shall be to vendor's / contractor's account. BHEL has further right to take necessary steps to protect its interest at the time of release of payment. This further requires inclusion of IRN and QR code on tax invoice as announced by Govt. of India w.e.f. 01.10.2020.

20.8 In case of ordering against the tender, vendor should submit their invoices against goods and services immediately after supply of goods & services but not later than 30 days from the invoice date. In case of delay, consequential losses like loss of input credit and non-availability of concessional forms etc. shall be to the vendor account.

20.9 The bidders against open tender will necessarily have to obtain class – III DSC (Digital signature). Procedure for application is available on hwr.bhel.com.

20.10 Following MSE conditions shall be followed: -

UDYAM Certificate.

Detailed MSE conditions is at clause no. 23.0 of GISTC Rev. 06, June 2021.

* Govt. guidelines will supersede all clauses of this tender for MSE benefits to vendor(s).

MSE Suppliers can avail the intended benefits only if they submit along with the offer, attested copies of UDYAM Certificate.

Detailed MSE conditions is at clause no. 23.0 of GISTC Rev. 06, June 2021. * Govt. guidelines will supersede all clauses of this tender for MSE benefits to vendor(s).

20.11 BHEL may load maximum penalty under LD Clause, to the extent the same is not agreed by the vendor, for the purpose of comparative statement. Where deliveries quoted by the vendor are not suiting, BHEL may also ignore the offer of the vendor.

21. Breach of Contract: In case of breach of contract, wherever the value of security instruments like performance bank guarantee available with BHEL against the said contract is atleast 10% of the contract value, the same be encashed. In case the value of the security instruments available is less than 10% of the contract value, the balance amount be recovered from other financial remedies (i.e. available bills of the contractor, retention amount, etc. with BHEL) or legal remedies be pursued. The balance scope shall be got done independently without Risk & Cost of the failed supplier/ contractor. Further, levy of liquidated damages, debarment, termination, de-scoping, short-closure, etc., shall be applied as per provisions of the contract. Accordingly, recovery of an amount equivalent to 10% of the contract value may be made in case of breach of contract.”

22. "A bidder shall not have conflict of interest with other bidders. Such conflict of interest can lead to anti-competitive practices to the detriment of Procuring Entity's interests. The bidder who found to have a conflict of interest shall be disqualified. A bidder may be considered to have a conflict of interest with one or more parties in this bidding process, if:

a) they have controlling partner (s) in common; or

b) they receive or have received any direct or indirect subsidy/ financial stake from any of them; or

c) they have the same legal representative/agent for purposes of this bid; or

d) they have relationship with each other, directly or through common third parties, that puts them in a position to have access to information about or influence on the bid of another Bidder, or

e) Bidder participates in more than one bid in this bidding process.

Participation by a Bidder in more than one Bid will result in the disqualification of all bids in which the parties are involved. However, this does not limit the inclusion of the components/ sub-assembly/ Assemblies from. one bidding manufacturer in more than one bid; or

f) In cases of agents quoting in offshore procurements, on behalf of their principal manufacturers, one agent cannot represent two manufacturers or quote on their behalf in a particular tender enquiry. One manufacturer can also authorize only one agent/dealer. There can be only one bid from the following:

1. The principal manufacturer directly or through one Indian agent on his behalf; and

2. Indian/foreign agent on behalf of only one principal,

or

g) A Bidder or any of its affiliates participated as a consultant in the preparation of the design or technical specifications of the contract that is the subject of the Bid, or

h) In case of a holding company having more than one independently manufacturing units, or more than one unit having common business ownership/management, only one unit should quote. Similar restrictions would apply to closely related sister companies. Bidders must proactively declare such sister/ common business/ management units in same/ similar line of business. "

- **Against vendor's replies, BHEL reserves the right to ask for more information/ documents / clarifications. Vendor's offer shall not be considered if vendor fails to furnish the document / information / clarifications as mentioned above or doesn't meet the acceptance criteria. Time period for technical/commercial clarification is 3 days.**
- Amendments/Corrigendum, if any, will be hosted on designated web site/ GePNIC Portal only. Other terms and conditions will be as per tender documents. Any vendor who is under hold (for the item)/ delisted/ banned with BHEL on date of opening of Part – 1 will not be allowed to quote for this tender. In case their offer is received, it may be out rightly rejected.
- The Tender Documents, Drawings, P.O copy etc. shall be sent by e-mails and shall not be sent in hard copies. Vendors to kindly note that the details sent by e-mail shall be considered for delivery against the finalized contract(s)/ P. O's placed.
- ****OFFERS SHALL BE ADMITTED THROUGH GePNIC PORTAL <https://eprocurebhel.co.in/nicgep/app> ONLY**

Annexure - A

**SUB: - TERMS & CONDITIONS FOR FABRICATION OF COOLER HOUSING
WITH BHEL MATERIAL**

OpenTender Enquiry No.: X/6620/2023/0779/F/1

Sl. No.	Item Description/Drg No.	MATERIAL BY	Qty	Total weight for 2 Nos.	Rate Rupees/Kg (Tick the correct option)
1	COOLER HOUSING FRAME (0135130103500)	BHEL	2	51160 Kg	Quoted/ Not Quoted

Authorized Signature:

(with date & seal of company)

Name of Supplier: -

Annexure - B

Make in India Certificate

Certificate In line with Government Public Procurement Order No. P-45021/2/2017-BE-II dt. 15.06.2017 & P-45021/2/2017-PP (BE-II) dated 28.05.2018, we hereby certify that we M/s

_____ (supplier name) are local supplier meeting the requirement of minimum local content (50%) as defined in above orders for the material against Enquiry No. ___

X/6620/2023/0779/F/1. Details of location at which local value addition will be made is as follows:

_____ We also understand, false declarations will be in breach of the Code of Integrity under Rule 175(1)(i)(h) of the General Financial Rules for which a bidder or its successors can be debarred for up to two years as per Rule 151 (iii) of the General Financial Rules along with such other actions as may be permissible under law.

TERMS AND CONDITIONS FOR Enquiry No.X/6620/2023/0779/F/1

Sl. No.	TERMS	VENDOR'S ACCEPTANCE/ REMARKS
1	Scope of Work: - Complete PRE-FAB. M/C & FAB. ONLY is to be carried out by the vendor as per Drawing/Standard, QP and Technical requirements (as per clause 1 of terms & conditions).	
2	Quotation is valid for a minimum period of 90 days from date of opening of enquiry. (as per clause no. 2.0 of Terms and Conditions)	
3	Submission of offers (as per clause no. 3.0 of Terms and Conditions)	
4	Quoted rates are on F.O.R. sub-contract store, HEEP, Haridwar basis.(as per clause no. 4.0 of Terms and Conditions)	
5	Delivery as per clause 5.0 of T& C of enquiry.	
6	Bank Guarantee/Indemnity Bond: 10% BG & 90% Indemnity bond (as per clause 6.0 of T& C of enquiry)	
7	Inspection shall be done as per clause no. 7.0 of Terms and Conditions of Enquiry.	
8	Guarantee Certificate shall be valid for 18 months . (as per clause no. 8.0 of Terms and Conditions of Enquiry)	
9	Payment 90% after acceptance & final clearance of SRIV. 10% after FTS and final accountal of material (as per clause no. 9.0 of Terms and Conditions of Enquiry).	
10	LD clause is applicable@0.5% per week or part thereof with a maximum limit of 10% of the delayed portion of the PO (as per clause no. 10.0 of Terms and Conditions of Enquiry).	
11	GST shall be applicable against documentary proof. Input Tax Credit shall be applicable and BHEL can claim benefit (as per clause no. 11.0 of Terms and Conditions of Enquiry).	
12	Quality Requirements (as per clause no. 12.0 of Terms and Conditions of Enquiry).	
13	We accept Reverse Auction(RA) clause as per standard policy of BHEL (as per clause no. 13.0 of Terms and Conditions of Enquiry).	
14	Evaluation of bids (as per clause no. 14.0 of Terms and Conditions of Enquiry).	
15	Transportation:Confirm acceptance of clause 15.0 of T & C. Manufactured items shall be despatched by BHEL approved transporter only and Insurance shall be borne by BHEL.	
16	Scrap : Confirm acceptance of Clause 16.0 of T & C of Enq.	
17	Rectification:Confirm acceptance of Clause 17.0 of T & C of Enq.	
18	We accept Risk Purchase clause as per standard policy of BHEL.	
19	Distribution of Load: Accept the Clause 19 of T & C	
20	We have read clause no. 20 of terms and conditions of Enquiry and confirm to abide the same.(Clause 20.1 -20.11)	
21	Breach of contract: Confirm acceptance of Clause 21.0 of T & C of Enq.	
22	Conflict of Interest:Confirm acceptance of Clause 22.0 of T & C of Enq.	
23	Duly Filled Annexure A (Unpriced- Quoted / Not Quoted)	
24	We have submitted Make in India certificate (duly filled and signed as per Annexure-B).	
25	We accept all terms and conditions of GISTC Rev. 06.	
26	Rates have been quoted in indian Rupees on per Kg basis.	
27	PQR : as per clause 20.6.1 of T&C of enquiry.(duly filled, signed and stamped PQR and relevant documents)	

I have read and agreed all the terms and conditions of enquiry in detail and agree.

Note: BHEL reserves the right to reject any or all the offers (on techno-commercial ground) without assigning any reason thereof.

(Vendor's signature with Stamp)

PQR

Item : All Items of Indent no: 20230779

01.00	PRE-QUALIFICATION REQUIREMENT	Required	Vendor's Offer
01.01	Experience: Vendors should have experience of fabricating (cutting/bending/assembly/welding/pre-fabrication machining) and supplying of atleast 1 no. Fabricated Assembly in last 7 years from the date of enquiry as per following details: i) Dimensions of job: LXBXH = 4.0mtX3.5 mtX1.5mt and above. (ii) Weight: 20 Tons and above	Vendor to Comply & submit suitable evidence including technical specifications, drawings etc.	
01.02	Facility: i) Lifting facility and capacity at vendor works should EOT crane 30 Tons and above. ii) Vendor must have levelled bed plate having size : Length= 5500mm, Breadth=5500mm and above to fabricate the job (Either machined bed plate or bed plate constructed by steel plates is allowed but concrete floor not allowed). (iii) Vendor must have suitable WPS/PQR and qualified welders for welding approved by third party and submit documentary evidence with offer. (iv) Vendor must have rolling bending facility of plate thickness 25 mm and above at width of 2000 mm and above (v) Vendor must have cutting facility to cut plate of thickness 100mm and above. (vi) Vendor must have drilling facility to drill the hole dia 80 mm and above throughout the plate thickness 100 mm and above.	Vendor to Comply & submit suitable evidence including technical specifications, technical brochure, photographs etc. of the facilities.	
01.03	Vendor to furnish certificate or documentary evidence against clause 01.01 from the customer / company or end user duly confirming that fabricated assembly was supplied and used for Hydro Pump or turbine/power plant/capital goods/infrastructure application OR Vendor to submit documentary evidence as per clause 1.04.	Vendor to Comply & submit suitable documents	
01.04	Vendor to furnish name of customer/company with complete contact details and month /year of previous supply along with copy of PO, type of manufacturing facility used for fabrication (assembly/welding/pre-fabrication machining), supply documents, Payment details(invoice copy) and inspection documents of supplied fabricated assembly.	Vendor to Comply & submit suitable documents	
01.05	All PQR documents are to be stamped and signed in original by Vendor. In case documents and official stamp is in language other than English, documents and details of official stamp are to be translated in English and duly certified by Government agency/approved agency of Government/Embassy.	Vendor to Comply & submit suitable documents	
01.06	BHEL reserves the right to verify the information provided by vendor. In case the information provided by vendor is found to be false/ incorrect, their offers shall be rejected.	Vendor to agree	

NOTE: PQR is not restrictive

02.00	Technical Requirement:		
02.01	Vendor must have suitable machining facility to perform pre-fabrication machining operation for items no: 11 & 12 of CBOM, respective drg No 11351301024-00 & 11351301025-00. If vendor does not have above required facility then vendor may get it done from its sub-vendor provided that, the vendor must send details of facilities of its sub-vendor at the time of offer submission along with the consent letter of its sub-vendor that the required machining work will be completed by sub-vendor as per the requirements of drawing.	Vendor to Comply & submit suitable documents	

Intazat
13/02/2024
(Mond Intazat)
Sr. Engineer/WFX



13/02/24
Ravi Deshpande
Manager(WFX)

Santosh
13/2/24
[Santosh Gonde]
MGR/WFX

BSR
13.02.2024
(BSR Aram)
AGT-WFX

Manufacturer Name and Address		MANUFACTURING QUALITY PLAN								APPLICABILITIES TO			
BHEL Haridwar approved vendors/sub-contractors only		ITEM/ EQUIPM- ENTS	COOLER HOUSING FRAME WELDED (ITEM NO. 1 OF INDENT)					Q.P. NO	QP/QA/216443			CONTRACTOR	BHEL (HEEP) HWR
								DATE	16.02.2024				
								REV. NO.	00			SIR	Indent no. 20230779 dated 16.02.2024
								PAGE NO.	1 of 2				
Sl. No.	COMPONENT OPERATION	CHARACTRISTIC CHECKED	CATEGORY	TYPE/ METHOD OF CHECKED	QUANT-UM OF CHECK	REFERENCE DOCUMENT	ACCEPTANCE DOCUMENT	FORMAT OF RECORD	D	AGENCY			REMARKS
										M	B	C	
1	2	3	4	5	6	7	8	9	10	11	12	13	14



1	Material Receiving Inspection	Verification of identification of material	Major	Visual inspection	100 %	As per drg./ Standard	As per drg./ Standard	Record	√	P	V	-	Material will be supplied by BHEL. Transfer of Identification of BHEL material to be ensured.
2	IN PROCESS-INSPECTION												
2.1	WPS, PQR & WPQ Qualification	Scrutinizing	Major	Record check	100%	ASME SEC IX	ASME SEC IX	Test Report	-	P	V	-	BHEL /BHEL approved agency WPS/PQR/WPQ shall be used
2.2	Marking, Cutting & Edge Preparation	i) Marking	Major	Marking check	100 %	As per drg./ Standard	As per drg./ Standard	-	-	P	-	-	
		ii) Dimension	Major	Measurement	100%	As per drg./ Standard	As per drg./ Standard	-	-	P	-	-	
		iii) Edge preparation	Minor	Measurement	100%	As per drg./ Standard	As per drg./ Standard	-	-	P	-	-	
2.3	Welding Operation	i) Fit up	Major	Visual	100%	As per drg./ Standard	As per drg./ Standard	Obs. sheet	√	P	V	-	1) BHEL approved electrode shall be used during welding 2) Qualified welders by BHEL /BHEL approved agency in accordance with ASME Section IX will be deployed on the job.

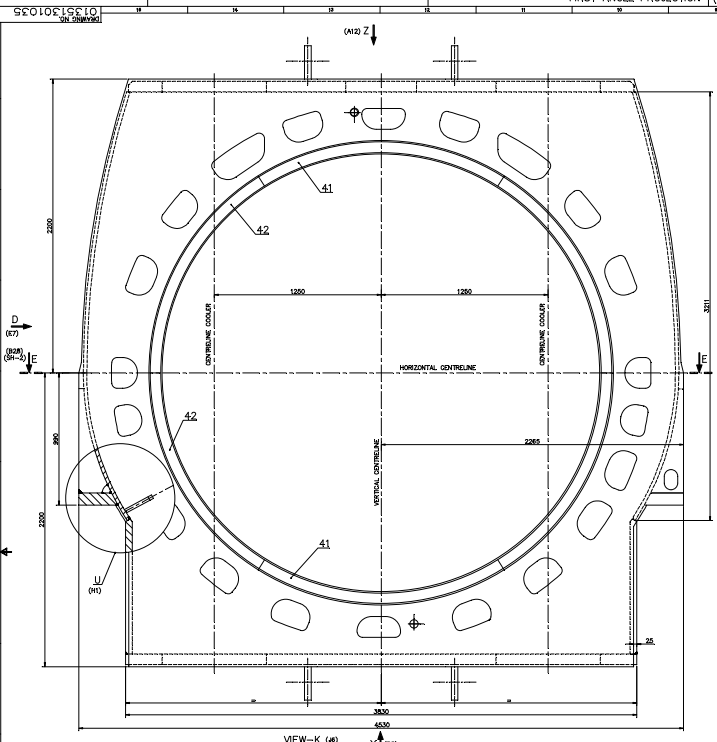
Manufacturer/Subcontractor	Legends: P Perform by; W Witness by; V Record review; C Customer; B BHEL/BHEL Representative; M Manufacturer/ sub-contractor; D: Documents with tick mark shall be submitted by vendor to BHEL.	For BHEL Use  स्वाती जैन प्रबंधक गुणता आश्वासन	  ब्रज भुषण त्रिपाठी वरिष्ठ प्रबंधक गुणता आश्वासन
-----------------------------------	--	--	--

Manufacturer Name and Address		MANUFACTURING QUALITY PLAN								APPLICABILITIES TO			
BHEL Haridwar approved vendors/sub-contractors only		ITEM/ EQUIPM- ENTS	COOLER HOUSING FRAME WELDED (ITEM NO. 1 OF INDENT)					Q.P. NO	QP/QA/216443			CONTRACTOR	BHEL (HEEP) HWR
								DATE	16.02.2024				
								REV. NO.	00			SIR	Indent no. 20230779 dated 16.02.2024
								PAGE NO.	2 of 2				
Sl. No.	COMPONENT OPERATION	CHARACTRISTIC CHECKED	CATEGORY	TYPE/ METHOD OF CHECKED	QUANT-UM OF CHECK	REFERENCE DOCUMENT	ACCEPTANCE DOCUMENT	FORMAT OF RECORD	D	AGENCY			REMARKS
										M	B	C	
1	2	3	4	5	6	7	8	9	10	11	12	13	14

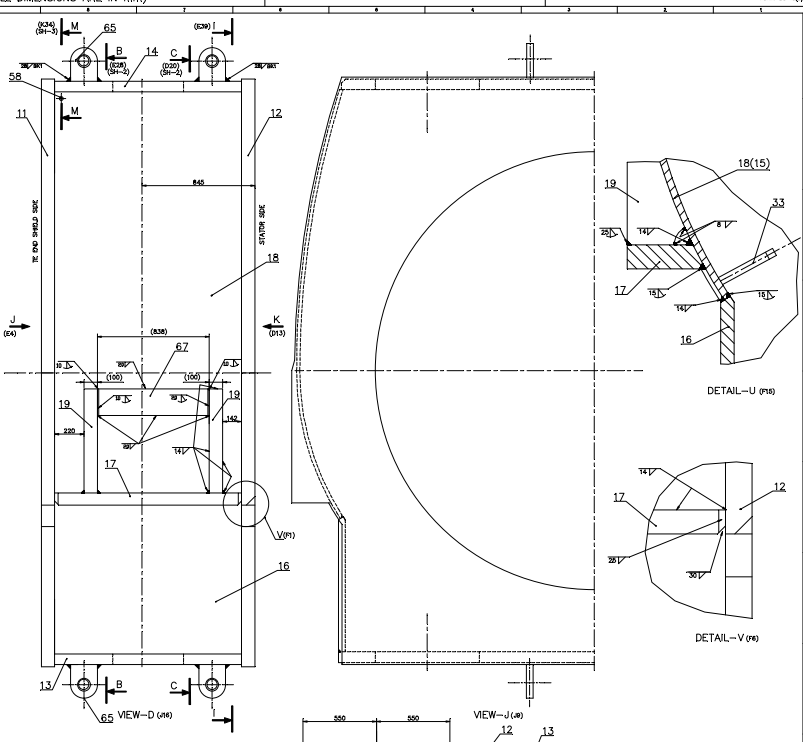
		ii) Visual inspection of welds	Major	Visual	100%	As per drg./ Standard	As per drg./ Standard	Obs. sheet	√	P	V	-	
		iii) NDT of welds, as applicable	Major	NDT	As per drg.	As per drg./ Standard	As per drg./ Standard	Report	√	P	W		
3	FINAL INSPECTION												
3.1		i) Verification of dimension & inspection	Major	Visual & measurement	100%	As per drg./ Standard	As per drg./ Standard	Obs. Sheet	√	P	W	-	
		iii) Painting & preservation	Major	Visual	100%	As per drg./ Standard	As per drg./ Standard	Obs. sheet	√	P	W	-	
		iv) Completeness of Job, Documentation	Major	Visual	-	-	Drg./QP	Record	-	P	V	-	Item shall be dispatched to BHEL after acceptance by BHEL nominated agency after duly identifying by punching P.O. No., drg no. Plant Order No. and I.R. No.

Note: All requirements of P.O., drawing and standard shall be fulfilled.

Manufacturer/Subcontractor	Legends: P Perform by; W Witness by; V Record review; C Customer; B BHEL/BHEL Representative; M Manufacturer/ sub-contractor; D: Documents with tick mark shall be submitted by vendor to BHEL.	For BHEL Use  स्वाती जैन प्रबंधक गुणता आश्वासन	  ब्रज भुषण त्रिपाठी वरिष्ठ प्रबंधक गुणता आश्वासन
-----------------------------------	--	--	--

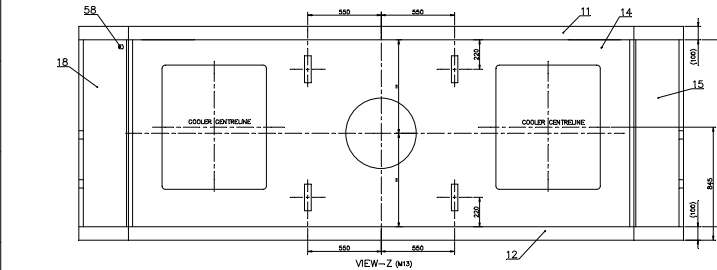


VIEW-K (4)

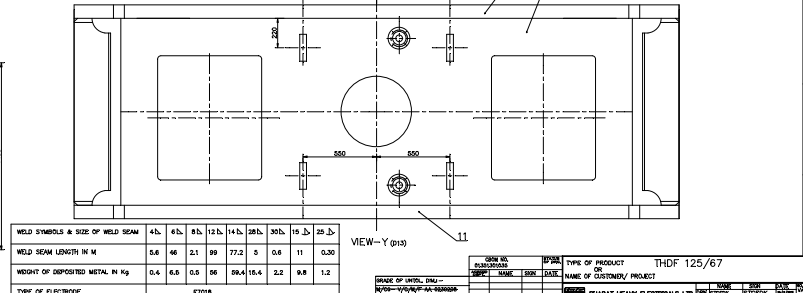


DETAIL-U (4)

DETAIL-V (4)



VIEW-Z (4)



VIEW-Y (4)

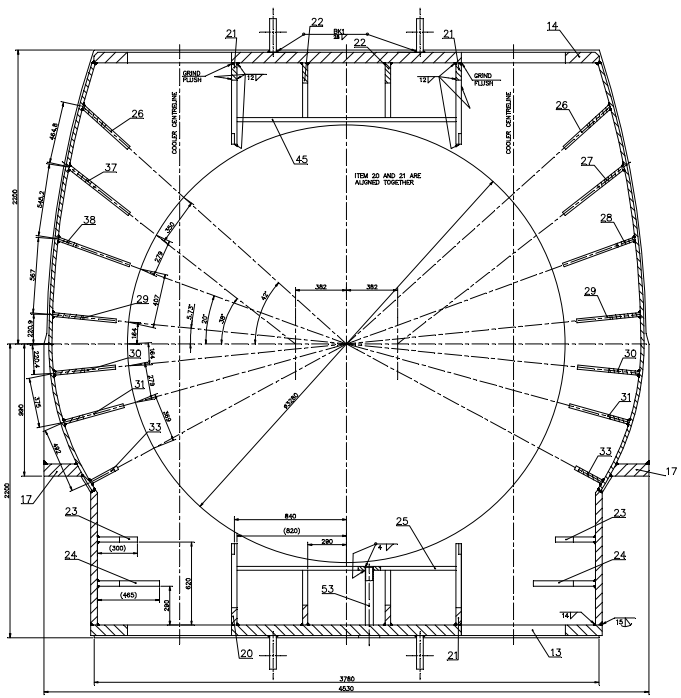
WELD SYMBOLS & SIZE OF WELD SEAM	4b	4b	8b	12b	14b	20b	30b	15 Δ	25 Δ
WELD SEAM LENGTH IN M	0.6	0.6	2.1	99	77.2	3	0.6	11	0.30
WEIGHT OF DEPOSITED METAL IN KG	0.4	0.5	0.5	56	59.4	15.6	2.2	9.8	1.2
TYPE OF ELECTRODE	E7018								

DATE	BY	TYPE OF PRODUCT OR NAME OF CUSTOMER PROJECT
01/31/2010	...	THDF 125/67

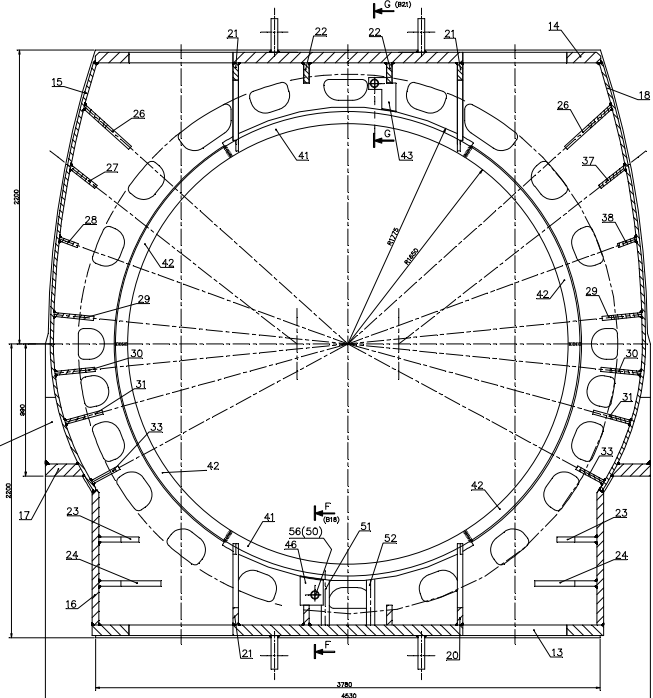
NO.	DATE	DESCRIPTION	BY	CHKD.
1	01/31/2010	ISSUED FOR FABRICATION

NAME OF USER/ DRAFTER	NAME OF CUSTOMER PROJECT	SCALE	DATE
...	THDF 125/67	1:10	01/31/2010
PROJECT NO.	PROJECT NAME	PROJECT CODE	PROJECT DATE
...	COOLER HOUSING FRAME (WELDED)

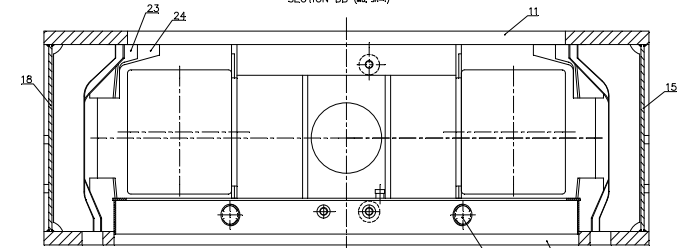
BHARAT HEAVY ELECTRICALS LTD. (PVT.) LTD. 100, INDUSTRIAL AREA, PHASE II, GURGAON, HARYANA, INDIA. TEL: 011-26101234 FAX: 011-26101235



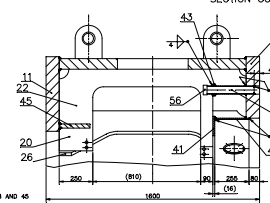
SECTION BB (Wt. 94--1)



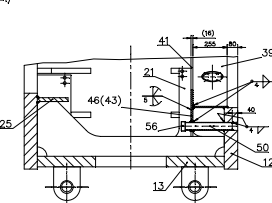
SECTION CC (Wt. 94--1)



SECTION EE (Wt. 94--1)



SECTION GG (Wt. 94--1)



SECTION FF (Wt. 94--1)

- TECHNICAL REQUIREMENTS**
1. NAME DESIGNATION AS PER IHW 1500387
 2. ALL SIDES OF INTERNAL RIBS ITEMS 22 TO 30,32,33,37,38 AND 45 WELDED WITH 1.5L. ALL GAPS TO BE SEAL WELDED 0.5L.
 3. TEST SPEC. AS PER THE OBSOLETE CATEGORY SERVICE REQUIREMENTS (K1).
 4. QUALITY GRADE AS PER IHW 0620199.
 5. ALL WELD SEAMS WHERE SIZE NOT INDICATED TO BE 1/4".
 6. WELDING OF PIPES TO BE DONE AS PER IHW0620598 .
 7. STRESS RELIEVING OF COMPLETE ASSEMBLY TO BE DONE AS PER IHW041099.
 8. THE WELD TIGHT MARKED 'T' ARE IMPROVED; USE CARE TO BE TAKEN DURING WELDING AS THESE WELD SEAM WILL BE ENSURED FOR GAS TIGHTNESS AT THE TIME OF HYDRAULIC & PNEUMATIC TESTING AFTER M/C IN BL- AS PER TSH0012/TSH0100.
 9. PAINTING AND CONSERVATION TO BE DONE AS PER 081205.

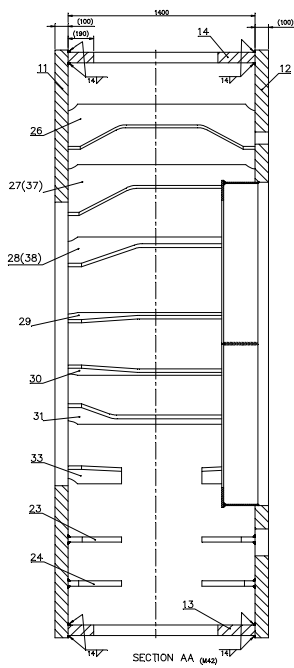
DATE	BY	TYPE OF PRODUCT OR NAME OF CUSTOMER PROJECT
01.35.13.01.035		THDF 125/67

REV	DATE	DESCRIPTION	BY	CHKD
01				

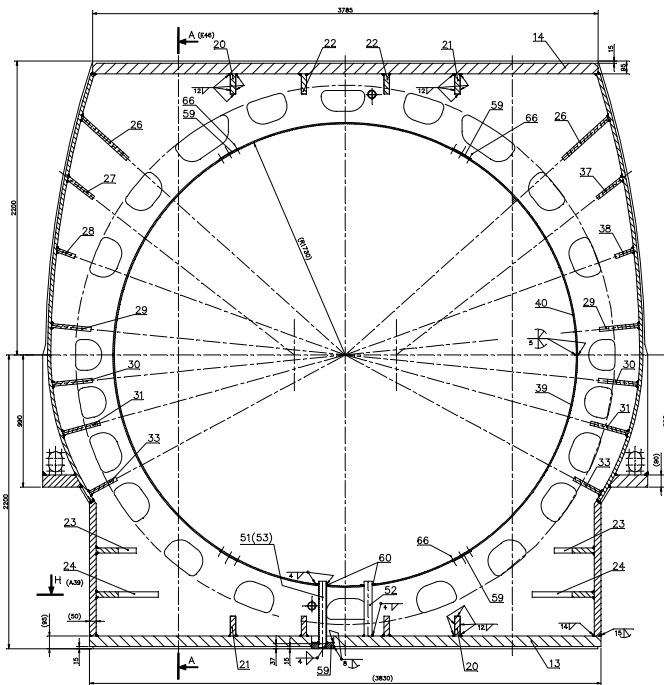
NAME OF UNIT, DIV.	DATE	SCALE	INSP-CHKD	REF. TO APP. FILE
NAME OF UNIT, DIV.	DATE	SCALE	INSP-CHKD	REF. TO APP. FILE
NAME OF UNIT, DIV.	DATE	SCALE	INSP-CHKD	REF. TO APP. FILE
NAME OF UNIT, DIV.	DATE	SCALE	INSP-CHKD	REF. TO APP. FILE

DATE (LAST REVISION)	SCALE	INSP-CHKD	REF. TO APP. FILE
01.35.13.01.035	1:10	26239	01.35.02.01.029
PROJECT SHEET NO. 4	TITLE	DRAWING NO.	SHEET NO.
C/A NO. TSE-16-P0253	COOLER HOUSING FRAME (WELDED)	01.35.13.01.035	01

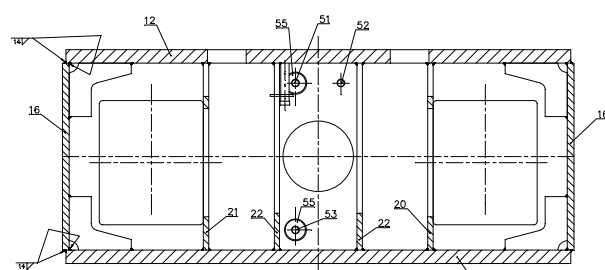
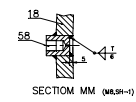
SECTION AA



SECTION AA (442)



SECTION I-I (447, 491-1)

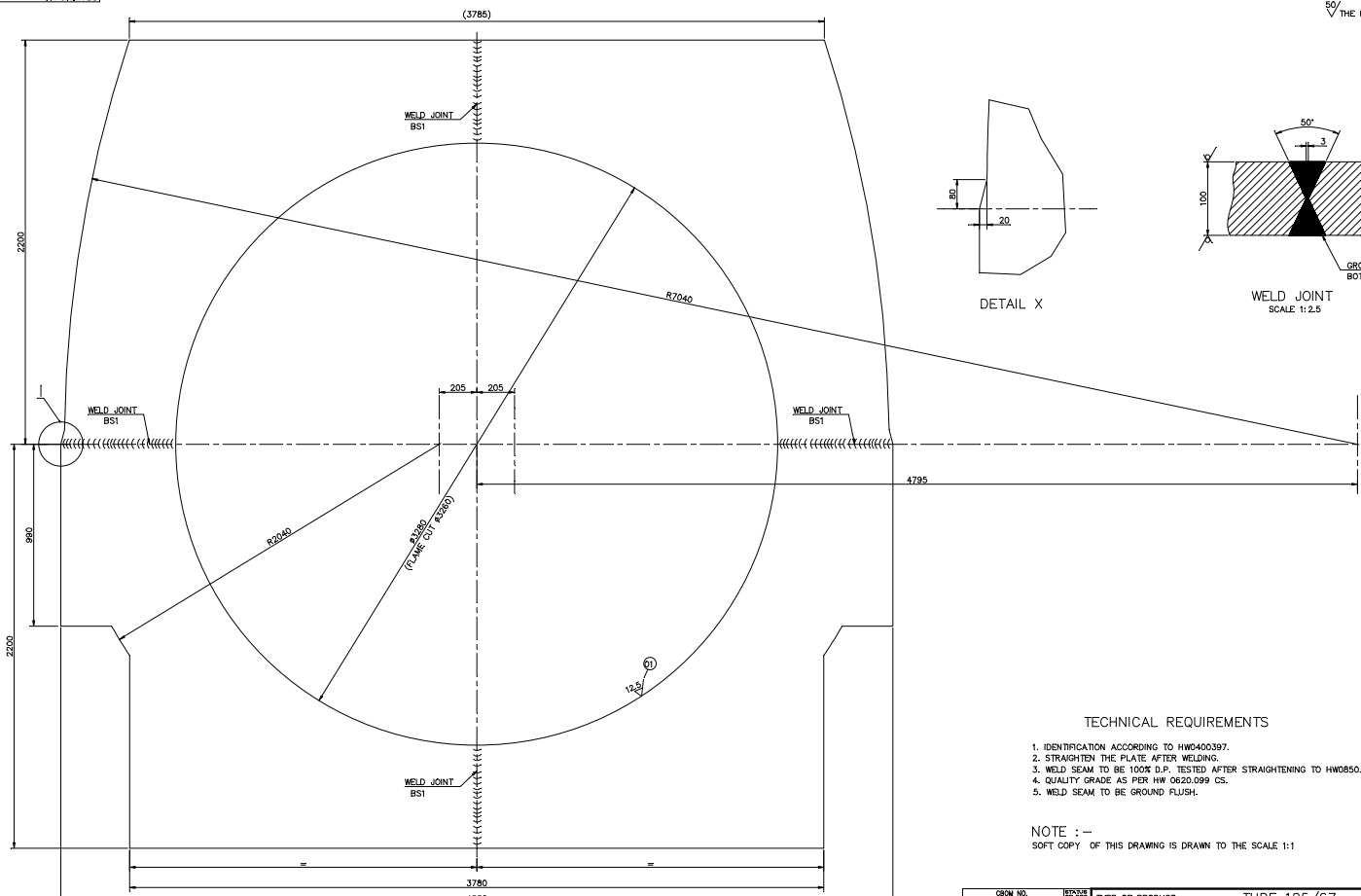


SECTION HH (448)

NAME OF UNIT, DIV. OR SECTION	DATE	TYPE OF PRODUCT OR NAME OF CUSTOMER PROJECT	THDF 125/67
DESIGNER		NAME OF CUSTOMER PROJECT	
CHECKER		NAME OF CUSTOMER PROJECT	
APPROVED		NAME OF CUSTOMER PROJECT	
DATE		SCALE	1:10
PROJECT NO.		WORK ORDER NO.	26239
C/A NO.		TYPE	COOLER HOUSING FRAME (WELDED)
		ISSUE NO.	01351301035
		ISSUE DATE	

01351301035-3

11351301024



TECHNICAL REQUIREMENTS

1. IDENTIFICATION ACCORDING TO HW0400397.
2. STRAIGHTEN THE PLATE AFTER WELDING.
3. WELD SEAM TO BE 100% D.P. TESTED AFTER STRAIGHTENING TO HW0850.199.
4. QUALITY GRADE AS PER HW 0620.099 CS.
5. WELD SEAM TO BE GROUND FLUSH.

NOTE :-
SOFT COPY OF THIS DRAWING IS DRAWN TO THE SCALE 1:1

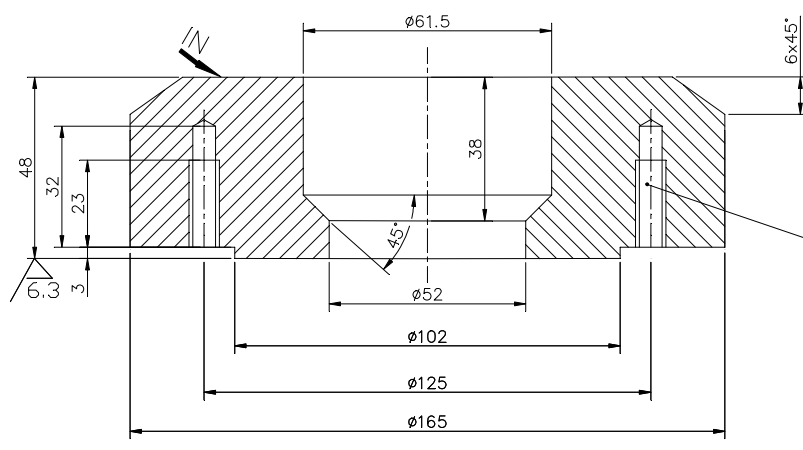
DRAWING NO. 11351301024		SHEET NO. 1		NO. OF SHEETS 1		SIZE A1	
GRADE OF UNTOL. DIM.:-		MTX		NAME		SIGN	
WELDING:-		WELDING:-		WELDING:-		WELDING:-	
GAS CUTTING:-		GAS CUTTING:-		GAS CUTTING:-		GAS CUTTING:-	
REV DATE		ALTERED BY		CHECKED BY		DATE	
CHANGES DONE AS PER		TGE-16-F0048		TGE-16-F0048		TGE-16-F0048	
TYPE OF PRODUCT OR NAME OF CUSTOMER/ PROJECT		THDF 125/67		BHARAT HEAVY ELECTRICALS LTD		HARDWARE	
SCALE		WEIGHT(KGS)		REF. TO ASSY. DRG.		DRAWING NO.	
1:10		784.4		01351301029		11351301024	
TITLE		PLATE		DRAWING NO.		11351301024	

COMMENT AND APPROVAL
 IT MUST BE SIGNED BY THE DESIGNER AND APPROVED BY THE SUPERVISOR.
 11351301024

DRAWING NO. 3-135-01-01215

12.5
THE REST

COPYRIGHT AND CONFIDENTIAL
THE INFORMATION ON THIS DOCUMENT IS THE PROPERTY OF
BHARAT HEAVY ELECTRICALS LIMITED. IT MUST NOT BE USED DIRECTLY
OR INDIRECTLY IN ANY WAY DETRIMENTAL TO THE INTEREST OF THE COMPANY.



TECHNICAL REQUIREMENT
1. MARK IDENTIFICATION ACCORDING TO HW 0400.397
AT THE PLACE INDICATED WITH IN.

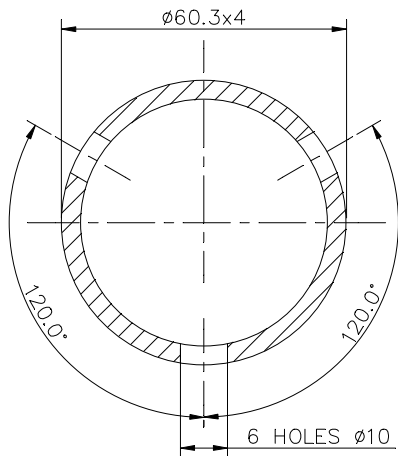
4 HOLES M16 EQUALLY SPACED

INVENTORY NO.	SIGN & DATE	REF. DRG NO.	CBOM NO. 01350101030		STATUS OF DRG.	TYPE OF PRODUCT OR NAME OF CUSTOMER/ PROJECT		THRI 108/44A				
			AGREED W.T.	NAME CHAURASIA	SIGN SD/-	DATE 08/12/98	BHARAT HEAVY ELECTRICALS LTD. HARDWAR		DRN PAWAN	SIGN SD/-	DATE 12/09/98	NO.OF VAR.
GRADE OF UNTOL. DIM.: -			M/CG- Y/Ø/M/Y AA 0230208		WELDING A/B/C/D-AA621104-		GAS CUTTING-T3'AA0621101		APD M.SINGH	SIGN SD/-	DATE 11/12/98	NO.OF ITEMS
REV.	DATE	ALTERED	REV.	DATE	ALTERED	PRADEEP SD/-	DEPT. TGE	SCALE	WEIGHT(Kg.)	REF. TO ASSY. DRG.		ITEM NO.
		CHECKED	01	15.09.09	CHECKED	AMIT SD/-	CODE 4133	N.T.S	6.5	0-135-01-01030		32
DRAWING SUPERSEDES WITHOUT ANY CHANGE			C/A No-TGE-09-F0233		TITLE		FLANGE		DRAWING NO. 3-135-01-01215		SHEET NO. 01 NO.OF SHEETS 01	

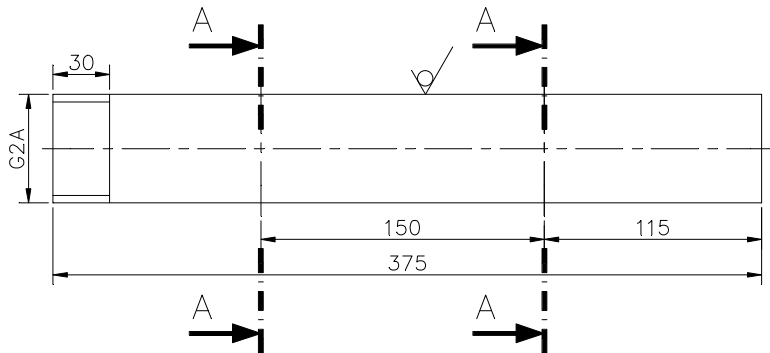
SIZE A3

0801031080
DRAWING NO. 31351301080

12.5/
THE REST



SECTION AA
SCALE 1:1



TECHNICAL REQUIREMENTS

1. MARK IDENTIFICATION AS PER HW 0400397

COPYRIGHT AND CONFIDENTIAL
THE INFORMATION ON THIS DOCUMENT IS THE PROPERTY OF
BHARAT HEAVY ELECTRICALS LIMITED . IT MUST NOT BE USED DIRECTLY
OR INDIRECTLY IN ANY WAY DETRIMENTAL TO THE INTEREST OF THE COMPANY.

24-0126-110612/050
REF. DRG NO.

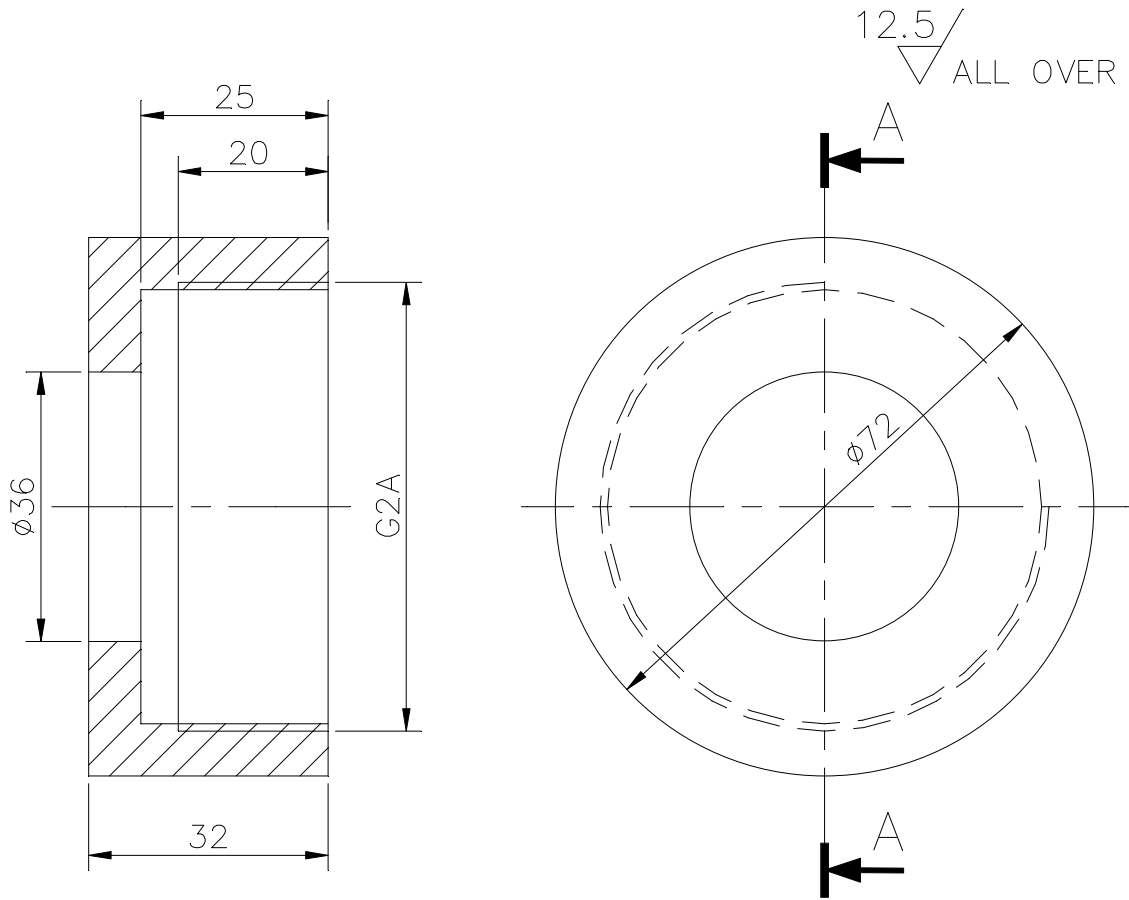
INVENTORY NO. SIGN & DATE

CBOM NO. 01351301029		STATUS OF DRG.		TYPE OF PRODUCT OR NAME OF CUSTOMER/ PROJECT		THDF 125/67		
AGREED REF.	NAME	SIGN	DATE	DRN	NAME	SIGN	DATE	NO.OF VAR.
WTX	AWTXYSS	AWTXYSS	11/05/2007	STGEPK	STGEPK	STGEPK	11/05/2007	
GRADE OF UNTOL. DIM.: -				CHD	STGEAM	STGEAM	11/05/2007	
M/CG- V/e/M/f AA 0230208				APD	ATGERK	ATGERK	11/05/2007	73, 74
WELDING A/B/C/D-AA621104				DEPT. TGE		SCALE	WEIGHT(Kg.)	REF. TO ASSY. DRG.
GAS CUTTING T3-AA0621101				CODE 4133	1:2	2	01351301029	ITEM NO.
REV.	DATE	ALTERED	REV.	DATE	ALTERED	CHECKED	50	75, 77
		CHECKED			CHECKED			
TITLE				PIPE		DRAWING NO. 31351301080		
						SHEET NO.1		NO.OF SHEETS 1

31351301080

SIZE A3

REV	DATE	ALTERED CHECKED	REV	DATE	ALTERED PK CHECKED RK	SD/- SD/-	CBDM No. 01350101000		STATUS OF DRG	
			SUPERSEDES OLD DRG. UNDER THE SAME NO. C/A NO. TGE-05-F0189				AGREED DEPT. WT	NAME Y.S.SETHI	SIGN SD/-	DATE 24.9.05
GRADE OF UNTOL.DIM.M/CGG/M/F.AA0230208			WELDING A/B/C/D AA0621104				GAS CUTTING-T3 AA0621101			




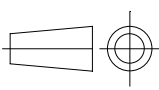
SECTION AA

TECHNICAL REQUIREMENT

1. MARK IDENTIFICATION ACCORDING TO HW 0400.397.

COPYRIGHT AND CONFIDENTIAL
THE INFORMATION ON THIS DOCUMENT IS THE PROPERTY OF BHARAT HEAVY ELECTRICALS LIMITED. IT MUST NOT BE USED DIRECTLY OR INDIRECTLY IN ANY WAY DETRIMENTAL TO THE INTEREST OF THE COMPANY.

41350101039

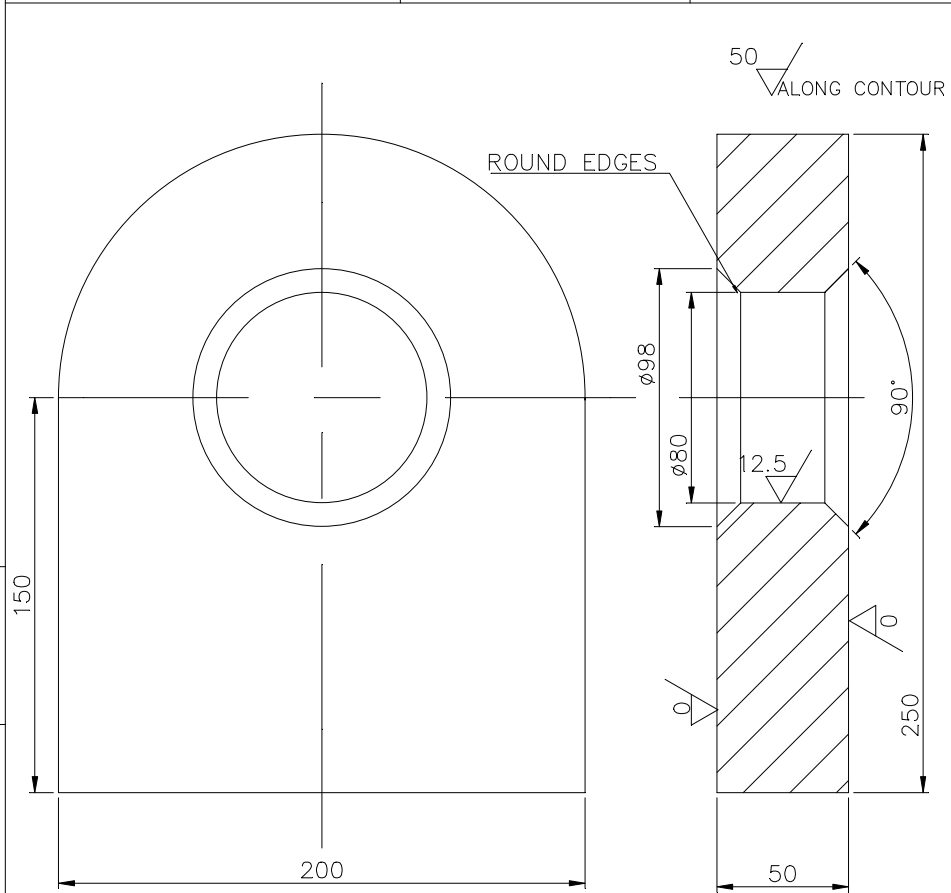
REF.DRG.No.	SIGN & DATE						
	 BHARAT HEAVY ELECTRICALS LTD HARDWAR						
INVENTORY No.	DEPT. TGE		SCALE	WEIGHT(Kg)	REF.TO ASSY.DRG.	ITEM No.	No OF ITEMS
	CODE 4133		1:1	0.45	9-13501-01003		
	TITLE				DRAWING No.		
TG-HW-0500-2				4-13501-01039			
					SHEET No. 1	No.OF SHEETS	1

DRN	NAME	SIGN	DATE	NO. OF VAR
	PAWAN	SD/-	20.9.05	
	RK	SD/-	20.9.05	
	RK	SD/-	29.9.05	

FIRST ANGLE PROJECTION

(ALL DIMENSIONS ARE IN mm) FORM DG 39(B)

REV	DATE	ALTERED CHECKED	REV	DATE	ALTERED CHECKED	DEVEESH -sd/+ AMIT -sd/-	CBOM No. 01350101026	STATUS OF DRG
			01	22/02/2019				
DRAWING SUPERSEDED UNDER THE SAME NO. WITHOUT ANY CHANGE AND DEPOSITED ON SERVER. C/A NO.. TGE-19-F0103			AGREED DEPT.	NAME	SIGN	DATE		
			WT	RSC	-sd/-	25/05/1998		
GRADE OF UNTOL.DIM.M/CGC/M/F-AA0230208			WELDING A/B/C/D-AA0621104		GAS CUTTING-T3-AA0621104			



COPYRIGHT AND CONFIDENTIAL
THE INFORMATION ON THIS DOCUMENT IS THE PROPERTY OF BHARAT HEAVY ELECTRICALS LIMITED. IT MUST NOT BE USED DIRECTLY OR INDIRECTLY IN ANY WAY DETRIMENTAL TO THE INTEREST OF THE COMPANY.

REF.DRG.No.

SIGN & DATE

E11-20374
INVENTORY No.

TECHNICAL REQUIREMENTS

- MARK IDENTIFICATION ACCORDING TO HW0400397.



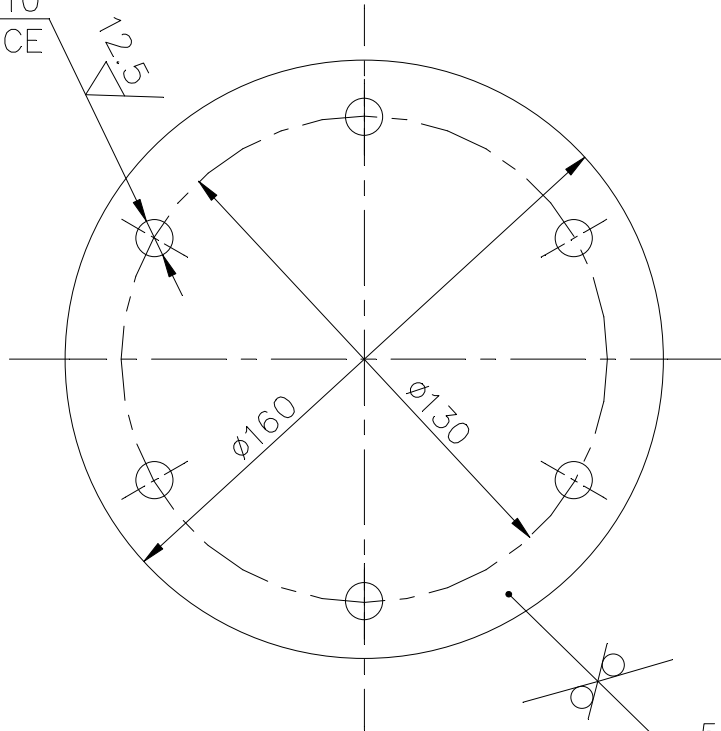
BHARAT HEAVY ELECTRICALS LTD
HARDWAR

	NAME	SIGN	DATE	NO. OF VAR
DRN	P KUMAR	-sd/-	26/05/1998	
CHD	R KUMAR	-sd/-	02/05/1998	
APD	M SINGH	-sd/-	04/05/1998	

DEPT.TGE	SCALE	WEIGHT(Kg)	REF.TO ASSY.DRG.	ITEM No.	No OF ITEMS
CODE 4133	1:2	14.5	01350101026	95	
TITLE LIFTING EYE TARI 108/46 STG			DRAWING No. 41350101319		
			SHEET No. 1 No.OF SHEETS1		

REV	DATE	ALTERED CHECKED	REV	DATE	ALTERED CHECKED	CBOM No. 01351301022		STATUS OF DRG	
						AGREED DEPT.	NAME	SIGN	DATE
						WTX	RSC	SD/-	23/05/2003
GRADE OF UNTOL.DIM.M/CGG/M/P.AA0230208				WELDING A/B/C/D AA0621104		GAS CUTTING-T3 AA0621101			

6 HOLES $\phi 10$
EQUAL SPACE
(SEE T.R.2)



50/
✓ THE REST

5 THICK

TECHNICAL REQUIREMENTS

1. MARK IDENTIFICATION AS PER HW 0400397
2. DRILL ALONG WITH ITEM 39 & 40, 2 NOS. EACH.

EMT 304-344
REF.DRG.No.

SIGN & DATE



BHARAT HEAVY ELECTRICALS LTD
HARDWAR

DRN	NAME	SIGN	DATE	NO. OF VAR
STGEPK	STGEPK	SD/-	23/05/2003	
CHD	ATGERK	SD/-	26/05/2003	
APD	R.C.BAJPAI	SD/-	10.6.2003	

INVENTORY No.	DEPT.TGE		SCALE	WEIGHT(Kg)	REF.TO ASSY.DRG.	ITEM No.	No OF ITEMS
	CODE 4133		1:2	0.77	0-13513-01022	59	
	TITLE ORIFICE THDF 115/67				DRAWING No. 4-13513-01210		
				SHEET No.1		No.OF SHEETS ¹	

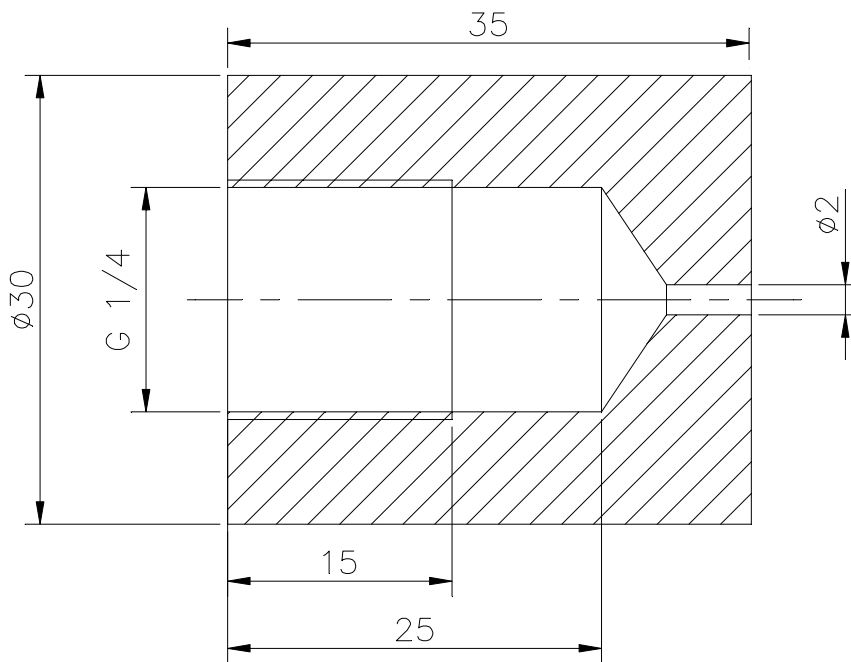
--	--	--	--	--	--	--	--	--	--

COPYRIGHT AND CONFIDENTIAL
THE INFORMATION ON THIS DOCUMENT IS THE PROPERTY OF BHARAT HEAVY ELECTRICALS LIMITED. IT MUST NOT BE USED DIRECTLY OR INDIRECTLY IN ANY WAY DETRIMENTAL TO THE INTEREST OF THE COMPANY.

PKA00849

REV	DATE	ALTERED CHECKED	REV	DATE	ALTERED CHECKED	CBDM No. 01390901011		STATUS OF DRG	
						AGREED DEPT.	NAME	SIGN	DATE
						WTX	AWTXYSS	AWTXY	18/05/2005
GRADE OF UNTOI.DIM.M/CGG/M/F.AA0230208						WELDING A/B/C/D AA0621104		GAS CUTTING-T3 AA0621101	


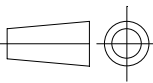
12.5/
▽ ALL OVER



TECHNICAL REQUIREMENT

1. MARK IDENTIFICATION AS PER HW 0400397

EMT-184-084
REF.DRG.No.

SIGN & DATE	 BHARAT HEAVY ELECTRICALS LTD HARDWAR		DRN	NAME	SIGN	DATE	NO. OF VAR
			CHD	STGEPK	STGEPK	10/07/2004	
		APD	ATGERK	ATGERK	28/09/2005		
INVENTORY No.	DEPT.TGE	 SCALE 1:1	WEIGHT(Kg) 0.17	REF.TO ASSY.DRG.		ITEM No. 70	No OF ITEMS
	CODE 4133			01390901012			
TITLE NIPPLE THDF 115/67			DRAWING No. 41390901046				
			SHEET No.1		No.OF SHEETS 1		

COPYRIGHT AND CONFIDENTIAL
 THE INFORMATION ON THIS DOCUMENT IS THE PROPERTY OF BHARAT HEAVY
 ELECTRICALS LIMITED. IT MUST NOT BE USED DIRECTLY OR INDIRECTLY IN
 ANY WAY DETRIMENTAL TO THE INTEREST OF THE COMPANY.



BILL OF MATERIAL

Printed
On:07.03.2024

BOM No: 01351301035 Var: 00 Revno: 3 Rev Date: 27.08.2020
Description: COOLER HOUSING FRAME WELDED Tot wt: 26239.0

Printed By:

Item No	Drawingno	Var	Mvar	Mat Code	Mat Spec	Weight
Qty(Total)	Description				Assy. Remarks	
Typ	Cat	Zone	Var/Matl. Description		GRP	Fab Wt
0	01351301035 00					26239.0
1(1)	COOLER HOUSING FRAME WELDED					
MF	DR				Y	
11	11351301024 00			AA1011819287	AA10119	7844.0
1(1)	PLATE				BORR.01351301029	
MF	DR	L9				
12	11351301025 00			AA1011819287	AA10119	6116.0
1(1)	PLATE				BORR.01351301029	
MF	DR	L6				
13				AA1011819260	AA10119	2291.0
1(1)	PLATE (ITEM-13,SH.4)					
MF	DR	E3	ST-FE410 WB-PLATE			
14				AA1011819260	AA10119	2269.0
1(1)	PLATE (ITEM-14,SH.4)					
MF	DR	M7	ST-FE410 WB-PLATE			
15				AA1011819155	AA10119	906.0
1(1)	PLATE (ITEM-15, SH.5)					
MF	DR	C9	ST-FE410 WB-PLATE			
16				AA1011819210	AA10119	548.0
2(2)	PLATE (ITEM-16,SH.4)					
MF	DR	F6	ST-FE410 WB-PLATE			
17				AA1011819279	AA10119	250.0
2(2)	PLATE (ITEM-17,SH.4)					
MF	DR	J2	ST-FE410 WB-PLATE			
18				AA1011819155	AA10119	905.0
1(1)	PLATE (ITEM-18, SH.5)					
MF	DR	L1	ST-FE410 WB-PLATE			
19				AA1011819287	AA10119	66.14
4(4)	PLATE (ITEM-19,SH.4)					
MF	DR	L3	ST-FE410 WB-PLATE			
20				AA1011819198	AA10119	106.0
2(2)	PLATE (ITEM-20,SH.4)					
MF	DR	E19	ST-FE410 WB-PLATE			
21				AA1011819198	AA10119	106.0
2(2)	PLATE (ITEM-21,SH.4)					
MF	DR	M30	ST-FE410 WB-PLATE			
22				AA1011819198	AA10119	119.0
4(4)	PLATE (ITEM-22,SH.4)					
MF	DR	M29	ST-FE410 WB-PLATE			
23				AA1011819198	AA10119	25.0
4(4)	PLATE (ITEM-23,SH.4)					
MF	DR	G23	ST-FE410 WB-PLATE			
24				AA1011819198	AA10119	31.0
4(4)	PLATE (ITEM-24,SH.4)					
MF	DR	F31	ST-FE410 WB-PLATE			
25				HW1011819953	AA10119	88.0
1(1)	PLATE (ITEM-25,SH.4)					
MF	DR	G28	ST-FE410 WB-PLATE			

ENGG

Initial Date

Worked By tgedk 22.12.2015

Checked By tgedk 09.01.2016

Approved By tgerk 02.02.2016



BILL OF MATERIAL

Printed
On:07.03.2024

BOM No: 01351301035 Var: 00 Revno: 3 Rev Date: 27.08.2020
Description: COOLER HOUSING FRAME WELDED Tot wt: 26239.0

Printed By:

Item No	Qty(Total)	Zone	Drawingno Var Mvar Description Var/Matl. Description	Mat Code	Mat Spec Assy. Remarks GRP	Weight Fab Wt
Typ	Cat	Zone	Var/Matl. Description			
26				HW1011819953	AA10119	96.0
2(2)			PLATE (ITEM-26,SH.4)			
MF	DR	L31	ST-FE410 WB-PLATE			
27				HW1011819953	AA10119	98.0
1(1)			PLATE (ITEM-27,SH.4)			
MF	DR	K26	ST-FE410 WB-PLATE			
28				HW1011819953	AA10119	78.0
1(1)			PLATE (ITEM-28,SH.4)			
MF	DR	K26	ST-FE410 WB-PLATE			
29				HW1011819953	AA10119	90.0
2(2)			PLATE (ITEM-29,SH.4)			
MF	DR	J30	ST-FE410 WB-PLATE			
30			11351301023 02 00	HW1011819953	AA10119	86.0
2(2)			PLATE		BORR.01351301029	
MF	DR	H30				
31			11351301023 03 00	HW1011819953	AA10119	75.0
2(2)			PLATE		BORR.01351301029	
MF	DR	H30				
33				HW1011819953	AA10119	20.0
4(4)			PLATE (ITEM-33,SH.4)			
MF	DR	G31	ST-FE410 WB-PLATE			
37			11351301023 00 00	HW1011819953	AA10119	98.0
2(2)			PLATE		BORR.01351301029	
MF	DR	K31				
38			11351301023 01 00	HW1011819953	AA10119	78.0
2(2)			PLATE		BORR.01351301029	
MF	DR	K18				
39				AA1011819074	AA10119	107.0
1(1)			PLATE (ITEM-39,SH.5)			
MF	DR	D17	ST-FE410 WB-PLATE			
40				AA1011819074	AA10119	108.0
1(1)			PLATE (ITEM-40,SH.5)			
MF	DR	J38	ST-FE410 WB-PLATE			
41				AA1011819112	AA10119	28.0
2(2)			PLATE(ITEM-41,SH.5)			
MF	DR	C21	ST-FE410 WB-PLATE			
42				AA1011819112	AA10119	20.0
4(4)			PLATE(ITEM-42,SH.5)			
MF	DR	G18	ST-FE410 WB-PLATE			
43				AA1011819112	AA10119	3.4
1(1)			PLATE (ITEM-43,SH.4)			
MF	DR	D21	ST-FE410 WB-PLATE			
45				HW1011819953	AA10119	88.831
1(1)			PLATE 30X230X1640			
MF	DR	C23	ST-FE410 WB-PLATE			
46				AA1011819112	AA10119	4.0
1(1)			PLATE(ITEM-46,SH.4)			
MF	DR	C18	ST-FE410 WB-PLATE			

ENGG

Initial Date

Worked By tgedk 22.12.2015

Checked By tgedk 09.01.2016

Approved By tgerk 02.02.2016



BILL OF MATERIAL

Printed
On:07.03.2024

BOM No: 01351301035 Var: 00 Revno: 3 Rev Date: 27.08.2020
Description: COOLER HOUSING FRAME WELDED Tot wt: 26239.0

Printed By:

Item No	Drawingno Var Mvar			Mat Code	Mat Spec	Weight
Qty(Total)	Description				Assy. Remarks	
Typ	Cat	Zone	Var/Matl. Description		GRP	Fab Wt
50			31351301080 00 00	HW1041146949	AA10446	2.0
2(2)			PIPE		BORR.01351301029	
MF	DR	C20				
51				HW1041146949	AA10446	2.66
1(1)			PIPE DIA 60.3X4,L=480			
MF	DR	F20	ST-BQ-A1-CDS-TUBE			
52				HW1041146949	AA10446	2.34
1(1)			PIPE DIA 60.3X4,L=422			
MF	DR	F20	ST-BQ-A1-CDS-TUBE			
53				HW1041146949	AA10446	2.7
1(1)			PIPE DIA 60.3X4,L=490			
MF	DR	F29	ST-BQ-A1-CDS-TUBE			
55			31350101215 00 00	AA1011819228	AA10119	6.65
2(2)			FLANGE		BOR.01350101030	
MF	DR	D40				
56			41350101039 00 00	AA1010209248	AA10109	0.45
2(2)			CAP		BOR.01350101002	
MF	DR	C19				
58			41390901046 00 00	AA1010209159	AA10109	0.17
1(1)			NIPPLE		CBOM01390901016	
MF	DR	D16				
59			41351301210 00 00	AA1011808013	AA10108	0.77
4(4)			ORIFICE		CBOM01351301022	
MF	DR	B27				
60				AA1011808013	AA10108	0.186
2(2)			WASHER ID=63,0D=100,5THICK			
MF	DR	F39	ST-A(FE410 WA)PLATE			
65			41350101319 00 00	AA1011819210	AA10119	14.5
8(8)			LIFTING EYE		BOR.01350101026	
MF	DR	M8				
66				AA7121123118	AA7121123	0.013
12(12)			SCRU HEX A- 8.8			
SI	DR	L41	M8X20			
67				AA1011819244	AA10119	64.98
2(2)			PLATE (IT 67, SH. 4)			
MF	DR	C2	ST-FE410 WB-PLATE			

ENGG

Initial Date

Worked By tgedk 22.12.2015

Checked By tgedk 09.01.2016

Approved By tgerk 02.02.2016



BHARAT HEAVY ELECTRICALS LIMITED

HEEP-HARIDWAR, UTTARAKHAND (249403)

General Instructions and Standard Terms & Conditions for bidding against Tender Enquiry (GISTC)

For Indian Bidders (Version June-2021, Rev: 06)

Table of Contents

1. GENERAL	1
2. ORIGIN OF QUOTATION	1
3. SUBMISSION OF TENDER	1
4. TENDER OPENING	2
5. SPECIFICATION, DRAWINGS & STANDARD	2
6. PRICE SCHEDULE	3
7. REVERSE AUCTION	3
8. DELIVERY TERMS	3
9. LD FOR LATE DELIVERY	4
10. PAYMENT TERMS	4
11. TAXES & DUTIES	5
12. BANK GUARANTEE	6
13. GUARANTEE / WARRANTY AND CORRESPONDING REPAIRS / REPLACEMENT OF GOODS	6
14. QUALITY REQUIREMENT	6
15. VALIDITY	6
16. RIGHT OF ACCEPTANCE	6
17. TRANSIT INSURANCE	7
18. RISK PURCHASE	7
19. FORCE MAJEURE CLAUSE	7
20. NON-DISCLOSURE AGREEMENT	8
21. SETTLEMENT OF DISPUTES / ARBITRATION	8
22. WHARFAGE / DEMURRAGE RESPONSIBILITY	8
23. CONDITIONS FOR AVAILING MICRO & SMALL ENTERPRISES (MSE'S) BENEFITS	8
24. INFORMATION TO THE BIDDERS	10
25. MAKE IN INDIA (GOVT-NOTIFICATION)	10
26. RESTRICTIONS UNDER RULE 144(XI) OF THE GENERAL FINANCIAL RULES (GFRs), 2017	12

27. NOTE..... 12

1. GENERAL.

These general terms & conditions shall apply to all the Tender Enquiries, notice inviting tenders, request for quotations concerning the supply of goods and / or rendering of services to Bharat Heavy Electricals Ltd., HEEP, Haridwar (hereinafter referred to as BHEL or the Purchaser). In case of placement of order these conditions will become part of Purchase Order (P.O) until unless the deviations are specifically agreed by BHEL.

2. ORIGIN OF QUOTATION.

- a) The quotation should preferably be from the principal bidder. However tender specific authorized registered dealer/agent can also submit the bid on their behalf, failing which the quotation is liable to be ignored. BHEL prefers to deal directly with the principal manufacturers.
- b) An agent cannot quote on behalf of more than one principal in the same Tender Enquiry.

3. SUBMISSION OF TENDER.

- a) Bid / Quotation must be enclosed in sealed cover on which tender enquiry number and the due date MUST BE written and be invariably sent under REGISTERED POST / SPEED POST / COURIER / Dropped in the Tender Box: addressed as follows:

Quotation against Enquiry No. _____

Dated: _____

Due on: _____

To,

**THE HEAD OF MATERIALS MANAGEMENT,
Heavy Electrical Equipment Plant,
Bharat Heavy Electricals Limited,
HARIDWAR-249403 (Uttarakhand), INDIA.**

- b) TENDER ROOM is located at: Room No. - 415, 4th Floor, Main Admin. Building, BHEL-HEEP, Haridwar.

Quotations / Bids not in accordance with General Instructions and Standard Terms & Conditions are likely to be ignored.



BHARAT HEAVY ELECTRICALS LIMITED

HEEP-HARIDWAR, UTTARAKHAND (249403)

General Instructions and Standard Terms & Conditions for bidding against Tender Enquiry (GISTC)

For Indian Bidders (Version June-2021, Rev: 06)

- c) In case of Three / Two Part Bid, technical bid containing technical offer, duly signed and un-priced copy of the Price Bid should be kept in one envelope. Price Bid containing only the price should be kept in a separate envelope. All envelopes indicating Part-1 or Part-2 or Part-3 as the case may be to be put in a bigger envelope. Please note that un-priced bid should be the exact replica of price bid but without prices.
- d) The bid / quotation must be posted before due date, keeping allowance for postal transit time. Quotations sent by any mode but not received in time will be ignored. Tender received through authorized E-mail is also acceptable. However, in time submission of tender in tender box shall be the responsibility of the bidder, sent through any mode. Documents submitted with the offer / bid shall be signed and stamped in each page by authorized representative of the bidder.
- e) Any additional documents submitted by supplier / bidder, during processing of registration application / tender or after placement of order shall not be accepted unless it is submitted with forwarding letter and duly signed and stamped.
- f) The bids of the bidders who are on the banned list and also the bids of the bidders, who engage the services of the banned firms, shall be rejected. The cutting / overwriting in the bid / offer must be duly attested by the signatories to the bid. The list of firms banned by BHEL is available on BHEL web site www.bhel.com.
- g) Being PMD vendor, if you are not quoting against this tender enquiry, please send your regret letter positively for our reference with valid reasons for not participating in the tender enquiry. Repeated lack of response on the part of bidder may lead to deletion such PMD vendor from BHEL's approved vendor list.
- h) The bidders will submit Integrity Pact, duly signed by its authorized signatory, along with their bids wherever estimated tender value is Rs. 2 Crore or more.
- i) In case of open tender, technically qualified unregistered bidders may apply online for registration through <http://www.bhel.com/index.php/vender>.
- j) BHEL reserves the right to award tendered quantities among more than one bidder (after acceptance of L1 price by the other bidders). BHEL can also consider awarding of part of the tendered quantity to other than L-1 bidder at L1 counter offered rates, if the quantity offered by the L-1 bidder is less than the quantity tendered for.
- k) In case of e-Tendering (Online bidding through e-portal), offline bid submitted in hard copy or in any other form by the vendor / supplier will not be accepted and will be rejected out rightly. Only e-portal bid will be accepted.

4. TENDER OPENING.

Tender opening is scheduled to start in the Tender Room at 2:00 PM, on the due date. Therefore, bid / quotations must reach this office / tender Box latest by 1:45 PM on due date. Only participating bidders are allowed to attend tender opening. **TENDERS RECEIVED AFTER THE SPECIFIED TIME OF THEIR 'SUBMISSION' WILL BE TREATED AS LATE TENDERS AND SHALL NOT BE CONSIDERED UNDER ANY CIRCUMSTANCES.** The bidders or their authorized representatives may be allowed to attend tender opening if duly authorized by their principals, through a tender specific letter on that particular day. General authorization letter is not acceptable.

Note: - Foreign bidders willing to attend the bid opening has to provide the requisite documents to the concerned Purchase executives for arranging gate pass for them.

5. SPECIFICATION, DRAWINGS & STANDARD.

- a) Bidders must give their detailed specification in the quotation along with relevant technical literature / catalogue etc. against the tender enquiry.
- b) The Bid should be accompanied with relevant copies of catalogues, drawings or specification as per tender enquiry.

Quotations / Bids not in accordance with General Instructions and Standard Terms & Conditions are likely to be ignored.



BHARAT HEAVY ELECTRICALS LIMITED

HEEP-HARIDWAR, UTTARAKHAND (249403)

General Instructions and Standard Terms & Conditions for bidding against Tender Enquiry (GISTC)

For Indian Bidders (Version June-2021, Rev: 06)

If these documents are not furnished, the offer is liable to be rejected.

- c) Wherever national / international (N/IN) standards are referred, the latest N/IN standards are to be followed. Mention year & date of standard revision that shall be followed for the supply.
- d) All Drawings and Standards are proprietary of BHEL. It must not be used in anyway detrimental to the interest of BHEL or without permission of BHEL.

6. PRICE SCHEDULE.

- a) Kindly quote your prices in figures and words both. In case of any discrepancy in value, the prices quoted in words shall be considered for evaluation and establishing L1 status.
- b) Prices quoted should not be more than the prices quoted to any other BHEL units / offices / divisions. Vendor to submit copy of latest Purchase Order placed by any unit of BHEL for similar items in the technical bid. In case no order has been placed on such items, specific confirmation that no order has been placed on such items should be provided.
- c) Prices should be quoted on F.O.R. Destination basis. Transit insurance shall be arranged by BHEL and not to be included in the prices. The offers quoted on other than F.O.R destination basis may result in non-consideration of such bids.
- d) In case BHEL accepts the EX-Works prices, such offers will be loaded by 1.5% of EX-Works value towards freight or with actual freight charges as per BHEL freight rate contract whichever is higher.
- e) In case of Indigenous items covered by DGS & D Rate Contract, the bidders should submit latest valid copy of the rate contract along with bid / quotation
- f) Applicable **IGST / CGST / SGST** and any other statutory levy should be indicated separately and clearly in the bid / quotation.

- g) Bidders can dispatch goods through any Indian Bank Association approved transporters having their branch at HARIDWAR / destination. If material is dispatched through other than Indian Bank Association approved transporter, material to be delivered on door delivery BHEL Stores basis.
- h) In case of dispatch of material through any other unapproved transporter, payment shall be made only after receipt of material and any additional charges payable to the transporter shall be to the bidder's account.
- i) Any demurrage / godown rent payable to the transporter / or to godown's owner due to any delay attributed by the supplier shall be recovered from supplier's account.
- j) Currency of Evaluation shall be INR.

NB: Financial evaluation of L1, L2Status will be on the basis of Landed Cost to BHEL.

7. REVERSE AUCTION.

Wherever RA is declared in the special terms and conditions of tender enquiry, following shall be applicable and Bidders to confirm the same:

"BHEL shall be resorting to Reverse Auction (RA) (Guidelines as available on www.bhel.com) for this tender. RA shall be conducted among all the techno-commercially qualified bidders.

Price bids of all techno-commercially qualified bidders shall be opened and same shall be considered as initial bids of bidders in RA. In case any bidder(s) do(es) not participate in online Reverse Auction, their sealed envelope price bid along with applicable loading, if any, shall be considered for ranking."

8. DELIVERY TERMS.

- a) Goods shall be delivered on 'FOR Destination' basis to the named destination unless otherwise called for in the tender enquiry.
- b) Loading on account of 3rd party inspection charges in case of Indian bidders shall be 0.20%.



BHARAT HEAVY ELECTRICALS LIMITED

HEEP-HARIDWAR, UTTARAKHAND (249403)

General Instructions and Standard Terms & Conditions for bidding against Tender Enquiry (GISTC)

For Indian Bidders (Version June-2021, Rev: 06)

9. LIQUIDATED DAMAGES (LD) FOR LATE DELIVERY.

a) Where items of Purchase Order are independently usable.

Liquidated Damages (LD) for Late Deliveries shall be applicable @0.5% per week or part thereof on the value of respective delayed supplies subject to a maximum of 10% of the value of respective delayed supplies. Value of delayed supplies will mean the Gross Value payable to the vendor (Before LD) against such supplies excluding taxes and duties.

b) Where the total items are required for a main equipment and items are interdependent.

Liquidated Damages (LD) for Late Deliveries shall be applicable @0.5% per week or part thereof on total value of Purchase Order subject to maximum of 10% of the total value of Purchase Order. Purchase Order value for this purpose shall be the Total Gross Value payable to the vendor (Before LD) excluding taxes and duties.

c) Bidders are requested to quote the best delivery meeting the delivery requirements. BHEL reserves the right to reject the offers not meeting BHEL's delivery requirement.

d) Commencement of delivery period shall be reckoned from the date of PO / LOI or any other agreed milestone.

e) Bidder shall deliver the goods in the manner and schedule agreed under the terms and conditions of Purchase order.

f) DELIVERY IN CASE OF REJECTION: In case the material is rejected, then date of replacement will be considered as the actual date of delivery.

g) DELIVERY AGAINST BANK DOCUMENTS: In case payment terms quoted by bidder are documents through bank, and the delivery terms being "FOR Haridwar / FOR Transporter Go-down" then date of delivery will be date of intimation by transporter / bidder of delivery of material at Haridwar for the LD purpose.

h) Where the payments are through bank, the documents may be presented for negotiation to BHEL authorized / nominated bank.

i) Payment of Liquidated Damages (LD) shall not in any way relieve the vendor from any of its obligations & liabilities under the contract.

10. PAYMENT TERMS.

a) BHEL's standard payment term is Payment after receipt and acceptance of materials / items at HEEP, BHEL-Store or at desired destination unless otherwise specified in Special Terms attached to the tender enquiry.

b) BHEL reserves the right to accept or reject the offer of the bidder who quotes the payment term other than BHEL's standard payment term.

c) Loading on account of deviation in payment terms shall be done as per extant rules of BHEL-Haridwar.

d) 100% payment along with taxes, freight & insurance will be made after receipt and acceptance of material and within 75 days from the date of invoice subject to submission of non-discrepant documents within 15 days of supply as per terms and conditions of Purchase Order. In case any discrepancy found in the documents, BHEL will notify the same to vendor within 7 days of receipt. Vendor has to clear all the discrepancies in one go within 7 days thereafter else the payment of vendor may get delayed.

e) For MSEs (covered under MSME Act) which are registered and periodically renewed with BHEL, the payment will be made within 45 days or as prescribed in the relevant act.

f) Adherence to the above time schedule of payment is contingent upon Vendor complying with GST Rules w.r.t availment of Input Tax Credit by BHEL.

g) In case GST credit is delayed / denied to BHEL, due to non / delayed receipt of goods and / or tax invoice or expiry of the timeline prescribed in GST Law for availing such ITC, or any other reason not attributable to BHEL, GST amount shall be recoverable from Vendor along with interest levied / leviable on BHEL.

h) The taxes and duties that are reimbursed would be the ones applicable as on the contractual Purchase order delivery date or the amount actually paid whichever is less.



BHARAT HEAVY ELECTRICALS LIMITED

HEEP-HARIDWAR, UTTARAKHAND (249403)

General Instructions and Standard Terms & Conditions for bidding against Tender Enquiry (GISTC)

For Indian Bidders (Version June-2021, Rev: 06)

i) **The loading criteria for the different payment terms shall be as under;**

Payment Terms	Days of Loading
After Receipt & Acceptance of material within 75 days of supply.	No Loading
Against Delivery at BHEL-Stores Haridwar.	45
Against documents through bank (CAD):	45
Letter of Credit (LC)	120
Usance LC	No Loading if usance period is > 120 Days.
	Loading of days' difference i.e. difference between 120 days and usance period if the usance period is < 75 days.
Advance	Delivery Period + 120 Days - Advance Payment Days.

11. TAXES & DUTIES.

- a) The bidder to specify in their offer (part 1 bid) the category of their registration under GST like Registered, Unregistered and composite dealer.
- b) The provisional GST registration number of Bharat Heavy Electrical Ltd, Heavy Electricals Equipment Plant, Ranipur, Haridwar is "05AAACB4146P1ZL" with state Code as "05" and State Name as "Uttarakhand".
- c) Please quote our provisional GST registration number in all invoices raised for supply of goods and services under GST regime and also ensure filing of timely return and payment of tax and compliance of other applicable provisions on supplier under GST regime.
- d) No GST will be reimbursed to unregistered or composite dealer. In the event, any GST is quoted by composite dealer, the same shall be added to the cost of supply in evaluating the bid.
- e) Since, input credit of GST will be available to BHEL-Haridwar only after correct filing of return and payment of applicable GST by supplier, reimbursement of GST shall be made by

BHEL-Haridwar on matching of vendor inputs at GST portal, ensuring availability of input credit to BHEL Haridwar. Payment of GST will be made to vendor after matching of input credit and vendor to ensure submission of their invoices along with consent to accept payment of tax after such matching in all cases where bills are submitted directly to BHEL-Haridwar or through bank or under LC or through any other mode.

- f) In the event of any disallowance of input credit or applicability of interest or any other financial liability arises on BHEL-Haridwar due to any default of supplier under GST, such implication shall be to supplier's account.
- g) In the event of any change in the status of the vendor after the submission of the bid but before the supply, GST applicable at the time of supply or in the bid, based on the registration status of the vendor, whichever is lower shall be payable.
- h) Where ever applicable If PAN (Permanent Account Number) of the recipient is not available, income tax is deductible either at the normal rate or at the rate of 20 percent, whichever is higher as per Section 206AA of Indian Income Tax Act 1961.
- i) The bidder shall clearly indicate HSN (*Harmonised System Nomenclature*) / SAC (*Service Accounting Code*), its description and applicable rate of GST for each item in his techno-commercial bid.
- j) Statutory Variation in Taxes & duties as applicable at the time of supply shall be payable. However, in the event of no change in law but bidder quoting certain tax structure in bid document which is lower than the applicable one, such amount shall be the maximum amount of tax that can be claimed by bidder.
- k) **IMPORTED GOODS OFFERED BY INDIAN BIDDERS AGAINST DEALER INVOICE:** Wherever the material being offered is imported, the bidder must quote the prices inclusive of IGST. The rate and value of IGST as included in the price must be indicated separately. In case quantum of IGST is not mentioned by the bidder the same will not be considered for



BHARAT HEAVY ELECTRICALS LIMITED

HEEP-HARIDWAR, UTTARAKHAND (249403)

General Instructions and Standard Terms & Conditions for bidding against Tender Enquiry (GISTC)

For Indian Bidders (Version June-2021, Rev: 06)

evaluation. However, bidder will have to pass on the benefit of IGST to BHEL at the time supply.

- l) In case of directly dispatchable items to Customer's Site, BHEL-Haridwar will inform the GST registration number of the respective customer which must be mentioned on the vendor's invoice. Vendor to ensure availability of such information from BHEL-Haridwar before dispatch of any material. However, while filing GSTN-1, BHEL Haridwar GSTN number to be quoted.

Note: - Vendors must ensure compliance of all the applicable rules and procedure as envisaged in the GST Regime. Any loss to BHEL-Haridwar due to fault / non-compliance by the vendor will be to the vendor's account.

12. BANK GUARANTEE.

In case the bank guarantees are required to be deposited towards security deposit/performance guarantee or for any other purpose as per the terms of this tender enquiry, such bank guarantees of the requisite value in the denominated currency of the purchase order should be from one of the Indian branch of BHEL consortium banks and the bank guarantee should be in the proforma as prescribed by BHEL. The proforma of bank guarantee and the list of consortium banks are displayed at BHEL website www.bhelhwr.co.in. However, in case the bank guarantee is not from BHEL consortium banks, then the bidder has to get the bank guarantee confirmed from one of the Indian branch of BHEL consortium banks and the bank charges for such confirmation will be borne by the bidder.

13. GUARANTEE / WARRANTY AND CORRESPONDING REPAIRS / REPLACEMENT OF GOODS.

Goods shall comply with the specifications for material, workmanship and performance. Unless otherwise specified, the warranty shall be for a period of 18 months from the date of receipt. If the delivery is found non-compliant during the warranty period, leading to rejection, the Seller shall arrange free replacement / repair of goods, within one month from the date of intimation or any mutually agreed period. The rejected goods shall be taken away by the Seller at his cost and

replaced on Delivered Duty Paid (DDP) (FOR - BHEL Stores / designated destination basis) within such period. In the event of the Seller's failure to comply, Purchaser may take action as appropriate, including Repair / Replenish rejected goods & disposal of rejections, at the risk & cost of the Seller. In case the defects attributable to Seller are detected during processing of the goods at BHEL or at our subcontractor's works, the Seller shall be responsible for free replacement / repair of the goods as required by BHEL.

- b) **RETURN OF REJECTED MATERIAL FOR REPLACEMENT:** The bidder shall have to pay 5% incidental charges while taking back supplied material if it is found rejected on receipt. The rejected material shall be sent back only after receipt of replacement / submission of BG / refund of amount paid.

14. QUALITY REQUIREMENT.

Your bid / quotation should have specific confirmation regarding meeting all our quality requirements such as. (i) Test Certificate (TC), (ii) Guarantee Certificate (GC) / Warranty Certificate (WC), (iii) Quality Plan (QP) (if applicable); and (iv) Pre-Dispatch Inspection at your works (if applicable).

15. VALIDITY.

The quotation should be valid for a minimum period of 90 days effective from the date of opening of tender, unless otherwise specified in the tender enquiry.

16. RIGHT OF ACCEPTANCE.

- a) **BHARAT HEAVY ELECTRICALS LIMITED HARIDWAR** reserves the right to reject any or all the bids / quotations without assigning any reason thereof. BHEL also reserves the right to increase or decrease the tendered quantities. Bidders should be prepared to accept order for reduced quantity without any extra charges.
- b) Any discount / revised offer / bids submitted by a bidder on its own shall be considered, provided it is received on or before the due date and time of offer / bid submission (Part-1). Conditional discounts shall not be considered for evaluation of tenders.



BHARAT HEAVY ELECTRICALS LIMITED

HEEP-HARIDWAR, UTTARAKHAND (249403)

General Instructions and Standard Terms & Conditions for bidding against Tender Enquiry (GISTC)

For Indian Bidders (Version June-2021, Rev: 06)

- c) Unsolicited discounts / revised offers / bids given after Part-1 bid opening shall not be accepted. No change in price will be permitted within the validity period asked for in the tender enquiry.
- d) In case of changes in scope and / or technical specification and / or commercial terms & conditions having price implication, techno-commercially acceptable bidders shall be asked by BHEL to submit the impact of such changes on their price bids. In case a bidder opts to submit revised price bid instead of impact called for then the latest price bid shall prevail. However, in both situations, original price bid will be necessarily opened.
- e) The bidder whose bid is technically not accepted will be informed & EMD wherever submitted shall be returned after finalization of contract. EMD shall be forfeited in the event of bidder opting out after tender opening.
- f) BHEL reserves the right to short close the existing Purchase Order / Rate Contract / Work Order or any extension thereof at any stage.

17. TRANSIT INSURANCE.

- a) Transit Insurance will be covered by BHEL under its open Insurance Policy. Seller shall inform dispatch particulars (Purchase Order, RR /GR, Invoice value etc.) to "Finance department (Store bill Section), BHEL Ranipur, Haridwar (Uttarakhand-India) with value of consignment to the Purchaser within 07 days of dispatch for BHEL to arrange insurance coverage in its policy. Failure on the part of seller to inform dispatch particulars will make him liable to pay for any transit damages / losses suffered by the Purchaser.
- b) If Quoted Prices are inclusive of transit insurance, no weightage shall be given while evaluating the bids for Cost of Insurance, being in BHEL Scope.

18. RISK PURCHASE.

In case of abnormal delays (beyond the maximum late delivery period as per LD clause) in supplies / defective supplies or non-fulfillment of any other terms and conditions given in Purchase Order, BHEL may cancel the Purchase Order in full or part thereof, and may also make the purchase of such material from elsewhere / alternative source at the risk and cost of the supplier. BHEL will take all reasonable steps to get the material from alternate source at optimum cost. If bidder does not agree to the above Risk Purchase Clause, BHEL reserves the right to reject the offer. In case for compelling reasons BHEL accepts the offer without acceptance of this clause by the bidder and in the eventuality of Risk Purchase, appropriate action will be taken as per BHEL extant rules. This will be without prejudice to any other right of BHEL under the contract or under General Law.

19. FORCE MAJEURE CLAUSE.

Notwithstanding any other thing contained anywhere else in the contract or PO (Purchase Order), In case the discharge of obligation under the contract by either party is impeded or made unreasonably onerous, neither party shall be considered in breach of the contract to the extent that performance of their respective obligation is prevented by an event of Force Majeure that arises after the effective date (PO date).

In the above clause, Force Majeure means an event beyond the control of the parties to the contract which prevents a party from complying with any obligation of the contract including but not limited to:

- Act of God (Such as but not limited to earthquake, drought, tidal waves, floods etc.).
- War (whether war be declared or not), Hostilities Invasion, Act of foreign enemy etc.
- Rebellion, revolution, insurrection, civil war etc.
- Contamination of Radio Activity from any nuclear fuel or from any other nuclear waste or any other hazardous materials.
- Riots, commotions, strike unless restricted to the employees of supplier.
- Acts of terrorism.



BHARAT HEAVY ELECTRICALS LIMITED

HEEP-HARIDWAR, UTTARAKHAND (249403)

General Instructions and Standard Terms & Conditions for bidding against Tender Enquiry (GISTIC)

For Indian Bidders (Version June-2021, Rev: 06)

- g) Other unforeseeable circumstances beyond the control of the parties and which the affected party cannot avoid even by using its best efforts.
- h) Cancellation of contract by customer.
- i) Change in law / government. Regulation making the performance impossible.
- j) Pandemic or Epidemic.

The party claiming to be affected by force majeure shall notify the other party in writing immediately without delay on the intervention and on the cessation of such circumstances.

Irrespective of any extension of time, if an event of force majeure occurs and its effect continues for more than 180 days the affected party shall have right to cancel the contract.

As soon as reasonably practicable following the date of commencement of a Force Majeure Event, and within a reasonable time following the date of termination of a Force Majeure Event, either Party invoking it shall submit to the other Party reasonable proof of the nature of the Force Majeure Event and of its effect upon the performance of the Party's obligations under this Agreement.

The party shall, and shall ensure that its Subcontractors shall, at all times take all reasonable steps within their respective powers and consistent with Good Operating Practices (but without incurring unreasonable additional costs) to:

- a) Prevent Force Majeure Events affecting the performance of the party's obligations under this Agreement.
- b) mitigate the effect of any Force Majeure Event and
- c) Comply with its obligations under this Agreement.

If the war like situation has developed in a country where a seller's works is located in this P.O. or there is political instability and Indian Embassy located in that country forbids or advises for not having any business dealing with the sellers located in such zone / region/ country, then BHEL reserves the right to cancel the order.

20. NON-DISCLOSURE AGREEMENT.

All Drawing and Technical Documents relating to the product or it's manufacture submitted by one party to the other, prior or

subsequent to the formation of contract, shall remain property of the submitting party. Drawing, technical documents or other technical information received by one party, shall not without the consent of the other party, be used for any other purpose than that, for which they were provided. Such technical information shall not without the consent of the submitting party, otherwise be used or copied, reproduced, transmitted or communicated to a third party. Patterns supplied by BHEL will remain BHEL's property which shall be returned by the bidder on demand to BHEL. Bidder shall in no way share or use such intellectual property of BHEL to promote his own business with others or to gain a commercial advantage. BHEL reserves the right to claim damages from the bidder, or take appropriate action as deemed fit against the bidder, for any infringement of the provisions contained herein as available under law or equity.

21. SETTLEMENT OF DISPUTES / ARBITRATION.

In case of any dispute arising out of as in connection with this contract, the same shall be referred to arbitration under Arbitration & Conciliation Act 1996 of a sole arbitrator who shall be appointed by mutual consent of the parties. The seat & venue of arbitration shall be Haridwar.

The proceedings shall be conducted in English. The Governing law of contract shall be the substantive law of India.

22. WHARFAGE / DEMURRAGE RESPONSIBILITY.

In the event of delay in receipt of documents by Manager (Stores-Shipping) BHEL-Haridwar and in case where dispatches are made through Unapproved Transporter the sole responsibility for wharfage / demurrage for such delay shall be that of supplier.

23. CONDITIONS FOR AVAILING MICRO & SMALL ENTERPRISES (MSE'S) BENEFITS.

- a) "MSE Suppliers can avail the intended benefits only if they submit along with the offer, attested copies of either EM II certificate having deemed validity (**five years** from the date of issue of acknowledgement in EM II) or valid NSIC certificate or EM II certificate along with attested copy of a CA certificate



BHARAT HEAVY ELECTRICALS LIMITED

HEEP-HARIDWAR, UTTARAKHAND (249403)

General Instructions and Standard Terms & Conditions for bidding against Tender Enquiry (GISTC)

For Indian Bidders (Version June-2021, Rev: 06)

(Format enclosed at annexure-1 where deemed validity of EM II certificate of five years has expired) applicable for the relevant financial year (latest audited). Date to be reckoned for determining the deemed validity will be the date of bid opening (Part 1 in case of two-part bid) or vendor has to give Udyog Adhar Memorandum (UAM). Non submission of such documents will lead to consideration of their bid at par with other bidders. No benefit shall be applicable for this enquiry if any deficiency in the above required documents is found or the requisite documents are not submitted before price bid opening. If the tender is to be submitted through e-procurement portal, then the above require document are to be uploaded on the portal. Documents should be notarized or attested by a Gazetted officer. **UAM need not required to be notarized or attested.**

b) Any new supplier will be eligible for registration with BHEL as MSE supplier provided at least any one of the following documents are submitted along with application for registration: -

1. Udyog Adhar Memorandum (UAM).
2. Valid National Small Industries Commission (NSIC) Certificate.
3. Entrepreneurs Memorandum part II (EM II) certificate (valid based on deemed validity of 5 years) or
4. EM II certificate along with attested copy of CA Certificate (as per prescribed format at annexure-A) applicable for the relevant financial year (latest audited), where the deemed validity of EM II is over.
5. However, credentials of all MSE suppliers will be verified before advancing the intended benefits.
6. MSE bidders claiming SC/ST status will have to submit SC/ST certificate of the Proprietor from competent authority. Attested (notarized or attested by Gazetted officer) copy to be submitted along with the offer.
7. In case techno-commercial accepted bidders include MSE source and their prices (based on landed cost – considering quoted prices) are within the price band of 15% w.r.t. L-1 bidder, then BHEL can offer **25%** of quantity of respective item (rounded off to nearest number) to MSE bidders at L-1 price and in case, more than one MSE bidder is in 15 % band and the same is accepted by more than one MSE bidders then **25%** quantities of respective items will be considered for ordering on proportionate basis amongst MSE bidders.

8. There will be minimum of **3%** reservation for women owned MSEs within the above mentioned 25% reservation.
9. The reservation for MSEs owned by SC/ST will be **6.25%** { 25% out of target of 25% - refer para 4 of Public Procurement Policy for the Micro and Small Enterprises(MSEs)}.
10. The definition of MSEs owned by Women Entrepreneurs is clarified as under:
 - a) In case of proprietary MSE, proprietor shall be Woman.
 - b) In case of partnership MSE, the Woman partners shall be holding at least 51% of share in the unit.
 - c) In case of Private Limited companies, at least 51% share shall be held by Women promoters.
11. The definition of MSEs owned by SC/ST is clarified as under:
 - a) In case of proprietary MSE, proprietor(s) shall be SC/ST.
 - b) In case of partnership MSE, the SC/ST partners shall be holding at least 51% of shares in the unit.
 - c) In case of Private Limited companies, at least 51% share shall be held by SC/ST promoters.
12. While distributing the **25%** quantity amongst MSE bidders the decimal points in quantity shall be ignored for all the bidders except the L-1 amongst MSE bidders. Balance quantity after allocating the quantity to other MSE bidders ignoring the quantities in decimal, shall be given to L-1 (amongst MSE) bidder. However, if there are more than one MSE bidder at the same price level than preference for additional quantities due to ignoring off the decimal (as mentioned above) shall be given to the bidder offering favorable terms to BHEL and if the conditions offered are also same then preference will be given to the bidder having high SPR rating.
13. In case there are more than one MSE bidders (with different landed cost to BHEL) within 15% price band of lowest bidder and quantity to be offered is 1 no. only, then preference shall be given to the MSE bidder with lowest landed cost.
14. In case there are more than one MSE bidders (with same landed cost to BHEL) within 15% price band of lowest bidder and quantity to be offered is 1 no. only, then preference shall be given first, based on the favorable terms in the bid and in case terms are also same, the bidder with high SPR rating shall be given preference.
15. If L1 bidder is MSE bidder, entire quantity will be given to such MSE bidder only.

Quotations / Bids not in accordance with General Instructions and Standard Terms & Conditions are likely to be ignored.



BHARAT HEAVY ELECTRICALS LIMITED

HEEP-HARIDWAR, UTTARAKHAND (249403)

General Instructions and Standard Terms & Conditions for bidding against Tender Enquiry (GISTIC)

For Indian Bidders (Version June-2021, Rev: 06)

16. Note: It may however be noted that MSE guidelines as on date (Date of Technical Bid Opening Part-1) shall prevail.

17. "As per the OM No. F.No. 1(2)(1)/2016-MA dtd. 09.02.2017 issued from the Office of Development Commissioner (Micro, Small & Medium Enterprises), "Traders and agents should not be allowed to avail the benefits extended under the PP Policy."

In view of this, it is clarified that benefits of MSE (such as EMD Waiver, Tender fee exemption, Price preference, Payment preference etc.) will be given only to those MSE Vendors who are manufacturers of offered items against the NIT. No MSE benefits shall be provided to Agents / Stockists / Dealers / Traders etc. for the items offered but not manufactured by themselves."

24. INFORMATION TO THE BIDDERS.

a) Purchase related information is available at our Business-to-Business (B2B) Portal available on our website <https://hwr.bhel.com>. The user ID & password can be obtained by sending a request to concerned purchase executives.

b) Intimate your change in mail address or communication address or changes, if any, by email to AGM (SDX/MM) giving your bidder Code.

c) Please resolve your rejections and unexecuted overdue purchase order immediately which are posted at our B2B Portal, which can be visited through our site <https://hwr.bhel.com>

d) Copy of this Tender Enquiry is being sent through the post.

e) The Bidder declares that they will not enter into any illegal or undisclosed agreement or understanding, whether formal or informal with other bidder(s). This applies in particular to prices, specifications, certifications, subsidiary contracts, submission or non-submission of bids or any other actions to restrict competitiveness or to introduce cartelization in the bidding process.

In case, the bidder is found having indulged in above activities, suitable action shall be taken by BHEL as per extant policies/ guidelines.

f) Supplier must upload digitally signed e-Invoice on B2B portal for processing of Bills.

In other cases, inked signed hard copy of Invoice to be submitted for processing of Bills.

25. MAKE IN INDIA (GOVT-NOTIFICATION).

A. This tender enquiry shall be governed by notification no. P-45021/2/2017-PP (BE-II) dated 04.06.2020 of government of INDIA and subsequent circulars issued afterwards. Accordingly, the minimum local content, the margin of purchase preference and the procedure for preference to make in INDIA shall be adhered.

B. The margin of purchase preference shall be 20%.

- 'Class-I local Supplier' means a supplier or service provider, whose goods, services or works offered for procurement, has local content equal to or more than 50%, as defined under this order.
- 'Class-II local Supplier' means a supplier or service provider, whose goods, services or works offered for procurement, has local content more than 20% but less than 50%, as defined under this order.
- 'Non- local Supplier' means a supplier or service provider, whose goods, services or works offered for procurement, has local content less than or equal to 20%, as defined under this order.

C. Vendor to specifically confirm if they are Class-I or Class-II local supplier or not as per above mentioned notification. Accordingly, the 'Class-I local supplier'/ 'Class-II local Supplier' at the time of tender, bidding or solicitation shall be required to indicate percentage of local content and provide self-certification that the item offered meets the local content requirement for 'Class-I local supplier'/ 'Class-II local Supplier', as the case may be. They shall also give details of the location(s) at which the local value addition is made.

D. In cases of Procurement for a Value in Excess of Rs. 10 Crores, the 'Class-I local supplier'/ 'Class-II local Supplier' shall be required to provide a Certificate from the Statutory Auditor or Cost Auditor of the Company (in the case of companies) or from a practicing Cost Accountant or practicing Chartered Accountant (in respect of suppliers other than companies) giving the percentage of Local Content.



BHARAT HEAVY ELECTRICALS LIMITED

HEEP-HARIDWAR, UTTARAKHAND (249403)

General Instructions and Standard Terms & Conditions for bidding against Tender Enquiry (GISTC)

For Indian Bidders (Version June-2021, Rev: 06)

E. Requirement of Purchase Preference:

Purchase preference shall be given to 'Class-I local supplier' in procurements undertaken by procuring entities in the manner specified hereunder -

a. In the procurements of goods or works, which are covered by para 3(b) of mentioned Govt. circular and which are divisible in nature, the 'class-I local supplier' shall get purchase preference over 'Class-II supplier' as well as 'Non-local supplier', as per following procedure:

- i. Among All qualified bids, the lowest bid will be termed as L1. If L1 is 'Class-I local supplier', the contract for full quantity will be awarded to L1.
- ii. If L1 bid is not a 'Class-I local supplier', 50% of the order quantity shall be awarded to L1. Thereafter, the lowest bidder among the 'Class-I local supplier' will be invited to match the L1 price for the remaining 50% quantity subject to the class-I local supplier's quoted price falling within the margin of purchase preference, and contract for that quantity shall be awarded to such 'Class-I local supplier' subject to matching the L1 price. In case such lowest eligible 'Class-I local supplier' fails to match the L1 price or accepts less than the offered quantity, the next higher 'Class-I local supplier' within the margin of purchase preference shall be invited to match the L1 price for remaining quantity and so on, and contract shall be awarded accordingly. In case some quantity is still left uncovered on Class-I local supplier, then such balance quantity may also be ordered on the L1 bidder".

b. In the procurements of goods or works, which are covered by para 3(b) of mentioned Govt. circular and which are not divisible in nature, and in procurement of services where the bid is evaluated on price alone, the 'class-I local supplier' shall get purchase preference over 'Class-II supplier' as well as 'Non-local supplier', as per following procedure:

- i. Among all qualified bids, the lowest bid will be termed as L1. If L1 is 'Class-I local supplier', the contract will be awarded to L1.
- ii. If L1 is not 'Class-I local supplier', the lowest bidder among the 'Class-I local supplier', will be invited to match the L1 price subject to Class-I local supplier's quoted price falling

within the margin of purchase preference, and the contract shall be awarded to such 'Class-I local supplier' subject to matching the L1 price.

- iii. In case such lowest eligible 'Class-I local supplier', fails to match the L1 price, the 'Class-I local supplier' with the next higher bid within the margin of purchase preference shall be invited to match the L1 price and so on and contract shall be awarded accordingly. In case none of the 'Class-I local supplier' within the margin of purchase preference matches the L1 prices, the contract may be awarded to the L1 bidder.

c. 'Class-II local supplier' will not get purchase preference in any procurement, undertaken by procuring entities.

F. For this procurement, the local content to categorize a supplier as a Class-I local supplier/ Class-II local supplier/ Non-local supplier and purchase preference to Class-I local supplier, is as defined in Public Procurement (Preference to Make in India), Order 2017 dated 04.06.2020 issued by DPIIT. In case of subsequent orders issued by nodal ministry, changing the definition of local content for the items of the NIT, the same shall be applicable even if issued after issue of this NIT, but before opening of Part-II bids against this NIT.

G. Procurements where estimated value to be procured is less than Rs. 5 lakhs shall be exempted from GOI order No. P-45021/2/2017-PP (BE-II) dated 04.06.2020.

H. For procurement of Goods & Services which are divisible in nature, following shall be operated for **MSE bidders** under Public procurement Policy for the Micro and Small Enterprises (MSEs) Amendment Order, 2019, Ref. No. AA:SSP: MSE: Amndt, dtd. 30.11.2018, Circular No. 44 of 2018-19;-

a. If L1 bid is not from "Class-I local Supplier" and price quoted by MSE bidder falls within the margin of Purchase preference (L1+15% for MSEs), then 25 % of total order quantity of respective item (rounded off to nearest number) shall be awarded to MSE bidder, subject to MSE bidder matching the L1 Price. Out of Remaining 75% quantity, distribution shall be operated as per below sub-clause (2) –

b. If "Class- I Local Supplier" (Next to L1, other than MSE) quoted price falling within the Margin of Purchase Preference, and "Class-I local supplier" matches the L1 price,



BHARAT HEAVY ELECTRICALS LIMITED

HEEP-HARIDWAR, UTTARAKHAND (249403)

General Instructions and Standard Terms & Conditions for bidding against Tender Enquiry (GISTC)

For Indian Bidders (Version June-2021, Rev: 06)

then 50% of remaining Quantity (after allocation of 25% to MSE) i.e. 37.5% shall be awarded to local supplier and 37.5% shall be awarded to foreign bidder.

Note: L1 Price refers to lowest evaluated / landed cost to Company.

For Further details, please refer GOI order no. P-45021 / 2 / 2017 - PP (BE-II) dated 04.06.2020.

26. RESTRICTIONS UNDER RULE 144(XI) OF THE GENERAL FINANCIAL RULES (GFRs), 2017

All provisions of Order No. F.No.6/18/2019-PPD of Department of Expenditure (DoE) shall be applicable for this tender enquiry (Order copy is available at <https://doe.gov.in/procurement-policy-divisions>). Accordingly, any bidder from a country which shares a land border with India (except the countries to which the Govt. of India has extended lines of credit or in which the Govt. of India is engaged in development projects for which list is available at <https://www.mea.gov.in/>) will be eligible to bid in this tender only if the bidder is registered with the Competent Authority as specified in Annex I of the said Order of DoE.

Updated list of the countries to which lines of credit have been extended or in which development projects are undertaken are available on the Ministry of External affairs website (<https://www.mea.gov.in/>)

For the purpose of this order, definition of Bidder from a country which shares a land border with India shall be same as defined in the Annex III of the said order.

Registration with the competent authority as stipulated in the said order is responsibility of bidder. Bidder has to submit a certificate certifying following along with offer:

"I have read the clause regarding restrictions on procurement from a bidder of a country which shares a land border with India; I certify that bidder (.... Name of Bidder) is not from such a country or, if from such a country, has been registered with the Competent Authority. I hereby certify that bidder (.....Name of bidder) fulfils all requirements in this regard and is eligible to be considered"

If the bidder is from such country which shares a land border with India evidence of valid registration by the Competent Authority shall also be attached along with offer."

27. NOTE.

- a) Special conditions of enquiry, if enclosed by BHEL, will supersede the respective standard / general terms of enquiry.
- b) Any other Standard terms and Conditions of the bidder attached / referred against the tender enquiry will be treated as null and void ab initio.
- c) In order to protect the commercial interests of BHEL, it becomes necessary to take action against suppliers / contractors by way of suspension of business dealings, who either fail to perform or are in default without any reasonable cause, cause loss of business / money / reputation, indulged in malpractices, cheating, bribery, fraud or any other misconducts or formation of cartel so as to influence the bidding process or influence the price etc. Guide- lines for Suspension of Business Dealings with Suppliers / Contractors shall prevail over which is available at BHEL website <http://www.bhel.com>
- d) The bidder along with its associate / collaborators / sub-contractors / sub-vendors / consultants / service providers shall strictly adhere to BHEL Fraud Prevention Policy displayed on BHEL website <http://www.bhel.com> and shall immediately bring to the notice of BHEL-Management about any fraud or suspected fraud as soon as it comes to their notice.
- e) "BHEL shall recover the amount of compensation paid to victim(s) by BHEL towards loss of life / permanent disability due to an accident which is attributable to the negligence of contractor, agency or firm or any of its employees as detailed below;
 1. **Victim:** Any person who suffers permanent disablement or dies in an accident as defined below.
 2. **Accident:** Any death or permanent disability resulting solely and directly from any unintended and unforeseen injurious

Quotations / Bids not in accordance with General Instructions and Standard Terms & Conditions are likely to be ignored.



BHARAT HEAVY ELECTRICALS LIMITED

HEEP-HARIDWAR, UTTARAKHAND (249403)

General Instructions and Standard Terms & Conditions for bidding against Tender Enquiry (GISTC)

For Indian Bidders (Version June-2021, Rev: 06)

occurrence caused during the manufacturing / operation and works incidental thereto at BHEL factories/ **offices and precincts** thereof , project execution , erection and commissioning, services, repairs and maintenance, trouble shooting, serving , overhaul, renovation and retrofitting , trial operation, performance guarantee testing undertaken by the company or during any works / during working at BHEL Units/ Offices/ townships and premises/ project sites.

3. Compensation in respect of each of the victims:

- (i) In the event of death or **permanent disability** resulting from **Loss of both limbs**: Rs. 10,00,000/- (Rs. Ten Lakh).
- (ii) In the event of **other permanent disability**: Rs. 7,00,000/- (Rs. Seven Lakh).

4. Permanent Disablement: A disablement that is classified as a permanent total disablement under the proviso to Section 2(l) of the Employees Compensation Act, 1923.”

f) The bidder shall be in compliance with applicable laws, rules and regulations throughout the terms of the contract for conducting its business generally and to perform its obligations under this contract.

Detail of BHEL approved electrode

S.No.	Material Combination	Electrode/Wire	Process	WT PMD
1	MS-MS	E-7018	SMAW	WT003
2	MS-SS	E-309cb-15	SMAW	WT009
3	SS-SS	E-347-15	SMAW	WT010
4	MS-MS	ER-70S G	GMAW	WT034
5	MS-SS	ER-309L/309LSI	GMAW	WT029
6	SS-SS	ER-347	GMAW	WT028
7	MS-MS	ER-70S 6	GTAW	WT024
8	MS-SS	ER-309L/309LSI	GTAW	WT029
9	SS-SS	ER-347	GTAW	WT028

Category Description	Desc2	Cleared	Purchasecell	Pur type	It
WT003 Welding Electrode AWS: E-7018		Y			

Select and

Select	Ven Code	Corp Supplierid	Name	Prod Ctrl Check	Supp Ctrl Check
<input checked="" type="radio"/>	M01168	I0003457	ADOR WELDING LIMITED	16	7
<input type="radio"/>	M06147	I0001217	VARUN ELECTRODES PVT. LTD.	-	-
<input type="radio"/>	M06164	I0007234	SUPERON SCHWEISSTECHNIK (I) LT	16	7
<input type="radio"/>	M07080	I0007704	RAJ KESARI ELECTRODES PRIVATE	16	7
<input type="radio"/>	M16016	I0003296	D & H SECHERON ELECTRODES PVT.	16	7
<input type="radio"/>	M16113	I0000228	D & H INDIA LIMITED	16	7
<input type="radio"/>	M17023	I0004455	CALCUTTA ELECTRODES PVT LTD	-	-
<input type="radio"/>	M22729	I0003585	WELDWELL ELECTRODES	-	-
<input type="radio"/>	M29057	I0004138	MANTEK ELECTRODES PVT. LTD.	16	7
<input type="radio"/>	M40277	I0005036	ESAB INDIA LIMITED	16	7
<input type="radio"/>	M40648	I0000357	MARUTI WELD PRIVATE LIMITED	-	-
<input type="radio"/>	M41185	I0002971	MAILAM INDIA LIMITED.	-	-
<input type="radio"/>	M41590	I0005969	GEE LIMITED	-	-
<input type="radio"/>	M41596	I0000307	HONAVAR ELECTRODES PVT LTD	-	-

Select and

Total Codes

Category Description	Desc2	Cleared	Purchas
WT009 Welding Electrodes AWS: E-309cb-15		Y	

Select and Other Categories in which regd. Dollar Details Insertion Det

Select	Ven Code	CorpSupplierid	Name	Prod Ctrl Check	Supp Ctrl Check
<input checked="" type="radio"/>	M01168	I0003457	ADOR WELDING LIMITED	16	7
<input type="radio"/>	M16016	I0003296	D & H SECHERON ELECTRODES PVT.	16	7
<input type="radio"/>	M80029	F000566	AIR LIQUIDE WELDING	-	-
<input type="radio"/>	M82053	F002788	VOESTALPINE BOHLER WELDING AUS	16	7

Total Codes

Category Description	Desc2	Cleared	Purchas
WT010 Welding Electrode AWS: E-347-15		Y	

Select and Other Categories in which regd. Dollar Details Insertion

Select	Ven Code	CorpSupplierid	Name	Prod Ctrl Check	Supp Ctrl Che
<input checked="" type="radio"/>	M01168	I0003457	ADOR WELDING LIMITED	16	7
<input type="radio"/>	M16016	I0003296	D & H SECHERON ELECTRODES PVT.	16	7
<input type="radio"/>	M41185	I0002971	MAILAM INDIA LIMITED.	-	-
<input type="radio"/>	M72456	F001947	VOESTALPINE BOHLER WELDING GER	16	7
<input type="radio"/>	M80029	F000566	AIR LIQUIDE WELDING	-	-

Total Codes

Category Description	Desc2
WT029 GTAW AND GMAW FILLER WIRE AWS: ER 309L/309LSI	

Select and Other Categories in which regd. Dollar Details Insertion Detail

Select	Ven Code	CorpSupplierid	Name	Prod Ctrl Check	Supp Ctrl Check
<input checked="" type="radio"/>	M01168	I0003457	ADOR WELDING LIMITED	16	7
<input type="radio"/>	M40277	I0005036	ESAB INDIA LIMITED	16	7
<input type="radio"/>	M41590	I0005969	GEE LIMITED	16	7
<input type="radio"/>	M72456	F001947	VOESTALPINE BOHLER WELDING GER	16	7
<input type="radio"/>	M80110	F002500	NOVAMETAL SA	16	7

Total Codes

Category Description	Desc2	Cleared	Purchasecell	Pur type
WT034 GMAW Filler Wire ER 70S-G		Y		

Select and

Select	Ven Code	CorpSupplierid	Name	Prod Ctrl Check	Supp C Check
<input checked="" type="radio"/>	M01168	I0003457	ADOR WELDING LIMITED	16	7
<input type="radio"/>	M06147	I0001217	VARUN ELECTRODES PVT. LTD.	16	7
<input type="radio"/>	M11101	I0002923	MODI ARC ELECTRODES CO	16	7
<input type="radio"/>	M40277	I0005036	ESAB INDIA LIMITED	16	7
<input type="radio"/>	M40946	I0007650	MW WIRETEC PVT LTD	-	-

Category Description	Desc2	Cleared	Purchasecell	Pur type
WT024 GTAW Filler Wire AWS:ER 70S-6		Y		

Select and

Select	Ven Code	CorpSupplierid	Name	Prod Ctrl Check	Supp C Check
<input checked="" type="radio"/>	M01168	I0003457	ADOR WELDING LIMITED	16	7
<input type="radio"/>	M11101	I0002923	MODI ARC ELECTRODES CO	16	7
<input type="radio"/>	M16016	I0003296	D & H SECHERON ELECTRODES PVT.	16	7
<input type="radio"/>	M16113	I0000228	D & H INDIA LIMITED	16	7
<input type="radio"/>	M40277	I0005036	ESAB INDIA LIMITED	16	7
<input type="radio"/>	M40946	I0007650	MW WIRETEC PVT LTD	-	-

Total Codes

Category Description	Desc2	Cleared	Pur
WT028 GTAW AND GMAW FILLER WIRE AWS: ER 347		Y	

Select and

Select	Ven Code	CorpSupplierid	Name	Prod Ctrl Check	Supp Ctrl Check	App
<input checked="" type="radio"/>	M01168	I0003457	ADOR WELDING LIMITED	16	7	APF
<input type="radio"/>	F06251	I0014475	KOBELCO WELDING INDIA PRIVATE	1	17	APF
<input type="radio"/>	M16016	I0003296	D & H SECHERON ELECTRODES PVT.	16	7	APF
<input type="radio"/>	M41590	I0005969	GEE LIMITED	16	7	APF
<input type="radio"/>	M41630	I0001306	HINDUSTAN INOX LTD.BLOCK NO.7.	6	7	APF
<input type="radio"/>	M72456	F001947	VOESTALPINE BOHLER WELDING GER	16	7	APF
<input type="radio"/>	M80029	F000566	AIR LIQUIDE WELDING	-	-	APF
<input type="radio"/>	M96001	F002429	LINCOLN SMITWELD BV	16	7	APF

Total Codes