



BHARAT HEAVY ELECTRICALS LIMITED
Solar Business Division, Malleswaram,
Bengaluru - 560 012

TENDER
DOCUMENT
(PART – A)
Vol. I

NOTICE INVITING TENDER

1. BHEL- SBD (A Govt. of India Enterprise) invites tenders for Wafer Carriers Modification at BHEL-EDN Bangalore.
2. The tender is floated through e-procurement and offers shall be accepted through e-procurement only. BHEL shall neither entertain offers through hard copy or provide any extension for submission of offers on account of the same. Interested bidders who do not have login ID and password are requested to register themselves on <https://eprocurebhel.co.in> through “Online Bidder Enrolment” link available on the portal.
3. Class-III, SHA2 2048 BIT – Signing & Encryption, Digital Signature Certificate (DSC) is required for bidders for authentication purpose (log in and bid submission). Vendors, who do not possess the DSC, are requested to obtain the same. The procedure for obtaining DSCs is detailed in the “Seller Manual” available on the above mentioned website.

E-procurement Tender ID: WCC-ASR-202122-012

For all clarifications/ issues related to the tender, please contact:

(i) Commercial:

Mr. Arjun S Raj, Deputy Manager / Works Contracts Cell, BHEL-SBD,

Prof CNR Rao Circle, IISc Post, Malleswaram, Bangalore- 560 012

E-MAIL: arjun.raj@bhel.in

Ph. No. +91-080-22182344

Or

Mr. Pradip C Baro, Senior Deputy Gen. Manager / Works Contract Cell, BHEL-SBD,

Prof CNR Rao Circle, IISc Post, Malleswaram, Bangalore- 560 012

E-MAIL: pradipcbaro@bhel.in

Ph. No. +91-080-22182142

(ii) Technical:

Mr. Dinesh Kumar, Senior Engineer / PV Cell Engineering, BHEL-EDN

BHEL-EDN, Mysore Road, Bangalore- 560 026

E-MAIL: dinesh.kumar@bhel.in

Ph. No. +91-080-26998114



BHARAT HEAVY ELECTRICALS LIMITED
Solar Business Division, Malleswaram,
Bengaluru - 560 012

**TENDER
DOCUMENT
(PART – A)
Vol. I**

PART – A

VOLUME – I

TENDER DOCUMENT



BHARAT HEAVY ELECTRICALS LIMITED
Solar Business Division, Malleswaram,
Bengaluru - 560 012

**TENDER
DOCUMENT
(PART – A)
Vol. I**

Contents

NOTICE INVITING TENDER	1
GENERAL INFORMATION	4
SCOPE OF WORK	5
ELIGIBILITY CRITERIA.....	5
PRICE VARIATION CLAUSE.....	6
PAYMENT TERMS	6
ANNEXURES	7



BHARAT HEAVY ELECTRICALS LIMITED
Solar Business Division, Malleswaram,
Bengaluru - 560 012

TENDER
DOCUMENT
(PART – A)
Vol. I

1.	<u>GENERAL INFORMATION</u>	
1.1.	Tender Reference Number	WCC-ASR-202122-012
1.2.	Tender Name:	Upgradation of cell manufacturing line to handle 158.75 mm wafers at BHEL-EDN, Mysore Road, Bangalore
1.3.	Tender System	Single Stage, Two Part Bid Part – A: Techno-Commercial & PQR Part – B: Price Bid
1.4.	Tender Type	Works Contract
1.5.	Duration of Contract	Forty-five (45) days
1.6.	Qualifying Requirement	As per NIT Terms & Conditions
1.7.	Earnest Money Deposit to accompany Tender	Rs. 2033/- in the form of a crossed Demand Draft/EFT favoring BHEL-SBD, Bengaluru. If submitted through DD, the DD in original should reach to the office of undersigned within seven (07) days of Part A bid opening. EXEMPTION FOR MSEs / NSIC Registered bidders
1.8.	Security Deposit	5% of the contract value (excluding GST). Bidder agrees to submit performance security required for execution of the contract within the time period mentioned. In case of delay in submission of performance security, enhanced performance security which would include interest (SBI rate + 6%) for the delayed period, shall be submitted by the bidder. Further, if performance security is not submitted till such time the first bill becomes due, the amount of performance security due shall be recovered as per terms defined in NIT / contract, from the bills along with due interest.
1.9.	Cost of tender documents	NIL
1.10.	Issue of tender documents	As per Enquiry / RFQ / Notification on www.bhel.com & https://eprocurebhel.co.in
1.11.	Pre- BID Meeting	As per Enquiry / RFQ / Notification on www.bhel.com & https://eprocurebhel.co.in
1.12.	Last date for Issue of tender documents	As per Enquiry / RFQ / Notification on www.bhel.com & https://eprocurebhel.co.in
1.13.	Last date for submission of tender doc	As per Enquiry / RFQ / Notification on www.bhel.com & https://eprocurebhel.co.in
1.14.	Date and time of opening of Tender (Part-A)	As per Enquiry / RFQ / Notification on www.bhel.com & https://eprocurebhel.co.in
1.15.	Tender Submission Place	Online at https://eprocurebhel.co.in
1.16.	Tender Opening Place	Online at https://eprocurebhel.co.in



BHARAT HEAVY ELECTRICALS LIMITED
Solar Business Division, Malleswaram,
Bengaluru - 560 012

TENDER
DOCUMENT
(PART – A)
Vol. I

1.17.	Dealing Officer (For any Clarifications)	<p>Commercial: Mr. Arjun S Raj, Deputy Manager / Works Contracts Cell, BHEL-SBD, Prof CNR Rao Circle, IISc Post, Malleswaram, Bangalore- 560 012 E-MAIL: arjun.raj@bhel.in Ph. No. +91-080-22182344</p> <p>Or</p> <p>Mr. Pradip C Baro, Senior Deputy Gen. Manager / Works Contract Cell, BHEL-SBD, Prof CNR Rao Circle, IISc Post, Malleswaram, Bangalore- 560 012 E-MAIL: pradipcbaro@bhel.in Ph. No. +91-080-22182142</p> <p>Technical: Mr. Dinesh Kumar, Senior Engineer / PV Cell Engineering, BHEL-EDN BHEL-EDN, Mysore Road, Bangalore- 560 026 E-MAIL: dinesh.kumar@bhel.in Ph. No. +91-080-26998114</p>
1.18.	Reverse Auction	RA is not applicable for this contract
1.19.	Offer validity	Ninety (90) days from the date of techno-commercial bid opening.
2.	<u>SCOPE OF WORK</u>	
2.1.	Upgradation of Cell manufacturing line to handle 158.75 mm wafers at BHEL-EDN Bangalore (Details as per Annexure – I)	
3.	<u>ELIGIBILITY CRITERIA</u>	
3.1.	The Firm of contractor/independent contractor (Proprietor) should be registered and having at least three years' existence in business consecutively for the past three financial years.	
3.2.	Solvency Certificate: A Solvency Certificate from a Nationalized Bank/BHEL Consortium banks (State Bank of India, Canara Bank, Axis Bank, Bank of Baroda, Central Bank, Citi Bank N.A, Deutsche Bank**, Exim Bank, Federal Bank Limited, HDFC Bank Limited, Hong Kong and Shanghai Banking Corporation Ltd (HSBC), Indian Bank, ICICI Bank Limited, IDBI Bank Limited, Industrial Bank Limited, Indian, Overseas Bank, Kotak Mahindra Bank Limited, Punjab National Bank, RBL Bank Ltd, Standard Chartered Bank, Union Bank of India, Yes Bank Limited) should be produced regarding the tenderer's financial position. The Solvency Certificate should not be older than 12 months from the due date of Techno-commercial bid opening.	
3.3.	Average Annual Financial turnover during the last 3 years ending 31st March of the previous financial year, should be at least Rs. 34,158/- incl. of GST Audited Balance sheet and profit & Loss account OR Turn over Certificate from Chartered Accountant to be enclosed for the FY 2017-18, 2018-19 & 2019-20.	
3.4.	Bidders who wish to participate should have executed works of similar nature during last seven years as per below, as on the date of opening of Technical Bid. 1. Three "similar works" completed and costing not less than the amount of Rs. 45,545/- EACH (Including taxes) . OR	



	<p>2. Two "similar works" completed and costing not less than the amount of Rs. 56,926/- EACH (Including taxes).</p> <p>OR</p> <p>3. One "similar work" completed and costing not less than the amount of Rs 91,087/- (Including taxes).</p> <p>Note:</p> <p>a. The term "Similar works" means vendor should have successfully executed contracts for printing carrier rod modification, chemical carrier rod modification, and buffer carrier modification.</p> <p>b. The term 'executed' means the bidder should have achieved the criteria specified in the PQR even if the total contract has not been completed or closed.</p> <p>c. Bidder should not have been banned by "any BHEL unit" or "Government of India" or "Government of Karnataka" or Government of other states in India.</p> <p>d. Bidder to submit following documents as proof of completion/execution of work:</p> <p>i. P.O / W.O copy.</p> <p>ii. Work completion Certificate.</p> <p>BHEL reserves the right for independent verification of Documents.</p>
3.5.	The bidder shall also mention the PAN Number issued by Income Tax Department, copy of the PAN card or PAN number allotment letter shall be submitted along with the tender documents.
3.6.	There should be no litigation or charge under investigation / enquiry / trial against the Tenderer, or conviction in a court of law or suspension or blacklisting by any organization on any ground. During the course of work, if any such information comes to light, the contract may be terminated.
3.7.	The opinion / decision of BHEL regarding the bid shall be final and conclusive. BHEL reserves the right to reject any or all the bids at any time without assigning any reason.
3.8.	In case the bidder has a relative employed in BHEL, the authority inviting tender shall be informed of this fact in writing at the time of submission of tender, failing which the tender may be disqualified, or if such fact comes to light subsequently, the contract may be terminated.
3.9.	If the bidder gives wrong information in his tender or creates conditions favorable for the acceptance of his tender, BHEL reserves the right to reject such bidder at any stage.
3.10.	BHEL reserves the right to cancel the contract at the initial stage or during the contract period without assigning any reason to the tenderer.
3.11.	For the works which are continuous in nature, and which require regular interaction and monitoring, the bidder shall have an Office/Establishment in Bengaluru. Absence of such an arrangement may lead to disqualification of the Tenderer.
3.12.	Start-ups registered with DIPP are exempt to fulfill the criteria of minimum turnover and minimum years of experience.
4.	<u>PRICE VARIATION CLAUSE</u>
4.1.	Not applicable
5.	<u>PAYMENT TERMS</u>
5.1.	No advance payment is applicable for this tender.
5.2.	The contractor shall raise the invoice for payment as per the contractual terms & conditions, which should be duly certified by the BHEL official in charge of the contracted work. Payment will be made within Forty-Five (45) days after the receipt of the correct invoice and all required supporting documents.



BHARAT HEAVY ELECTRICALS LIMITED
Solar Business Division, Malleswaram,
Bengaluru - 560 012

TENDER
DOCUMENT
(PART – A)
Vol. I

5.3.	All payments will be made from our HQ through NEFT / EFT. Necessary details like bank Account No., etc., to be provided by you for effecting the EFT payment. (To be filled in BHEL EFT form available in Part-A, Volume-II of this tender).
5.4.	GST will be reimbursed to the contractor after the contractor pays GST, files return and submits a proof of the same to BHEL. GST TDS will be done @ 2%. Income Tax TDS will be done as applicable.
6.	<u>ANNEXURES</u>
6.1.	Annexure I: Detailed Scope of Work
6.2.	Annexure II: Techno-commercial Bid Application
6.3.	Annexure III: Bidder Information
6.4.	Annexure IV: Qualification Requirement (as per clauses mentioned in Sl. no. 3 Eligibility Criteria of this tender)
6.5.	Annexure V: Declaration by Bidder-I
6.6.	Annexure VI: Declaration by Bidder-II
6.7.	Annexure VII: Deviations Sheet
6.8.	Annexure VIII: Unpriced BID and HSN / SAC Codes



Annexure I: Detailed Scope of Work

The scope of work involves:

1. Printing Carrier Rod Modification

No of Rods: 300 Nos (4 rods per carrier)

Work description: 1mm milling of metal to be done as per the drawing. Please refer drawing no. 4-679-02-00012 (side view of rod) and 4-679-02-00013 (top view of rod)

Type of Material: Alloy metal

2. Chemical Carrier Rod Modification

No of Rods: 520 Nos (4 rods per carrier)

Work description: 1mm milling of metal to be done as per the drawing. Please refer drawing no. 4-679-02-00012 (side view of rod) and 4-679-02-00013 (top view of rod)

Type of Material: Aluminum

3. Buffer Carrier Modification

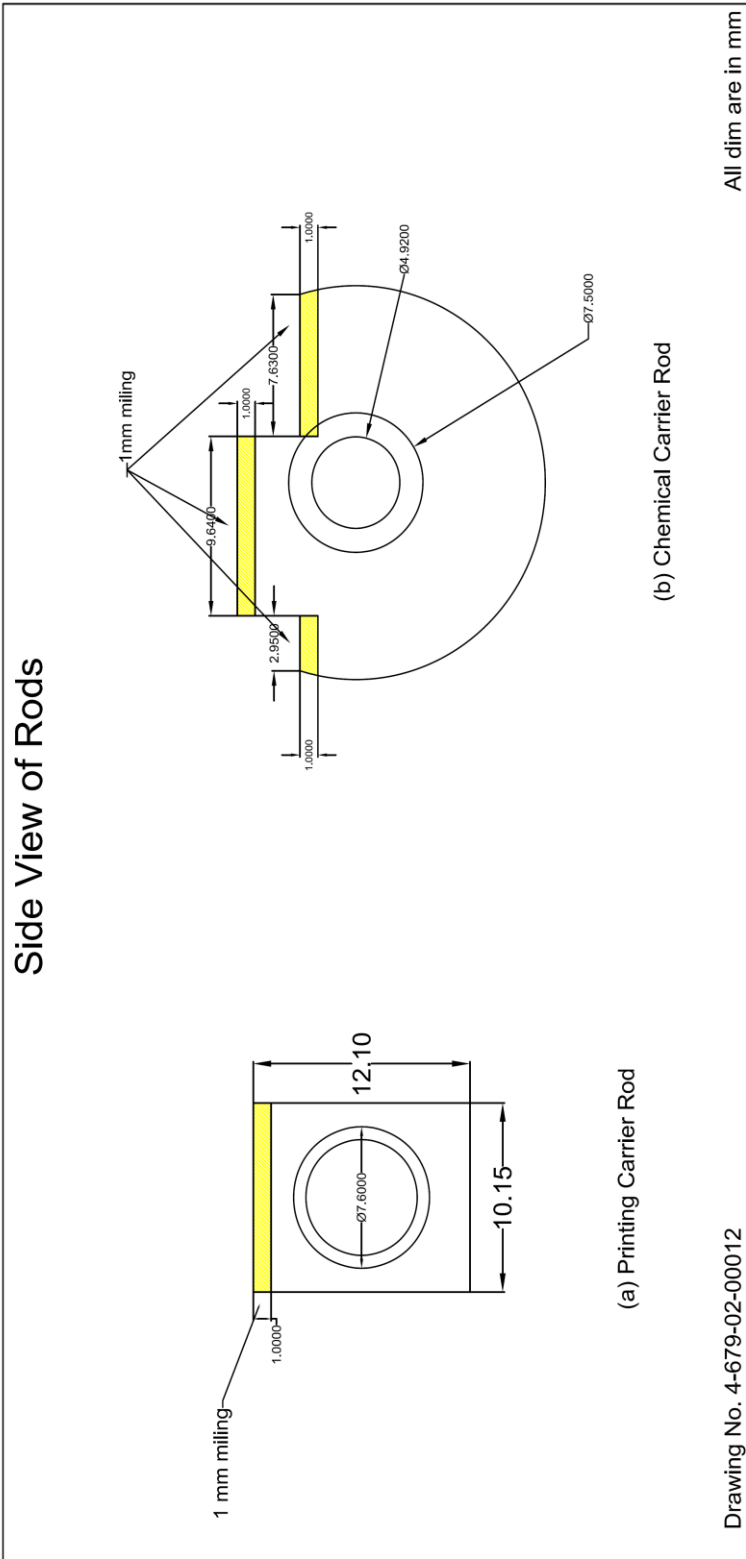
No of Carriers: 6 Nos

Work description: 4 holes to be created with 1mm shift on Top Plate and 4 Holes to be created on bottom plates. Same nos of holes (coincide with holes of top and bottom plates) to be created on the side plates also. Please refer drawing no. 4-679-02-00010 (top plate) and 4-679-02-00011 (bottom plate) drawings.

Type of Material: Alloy metal

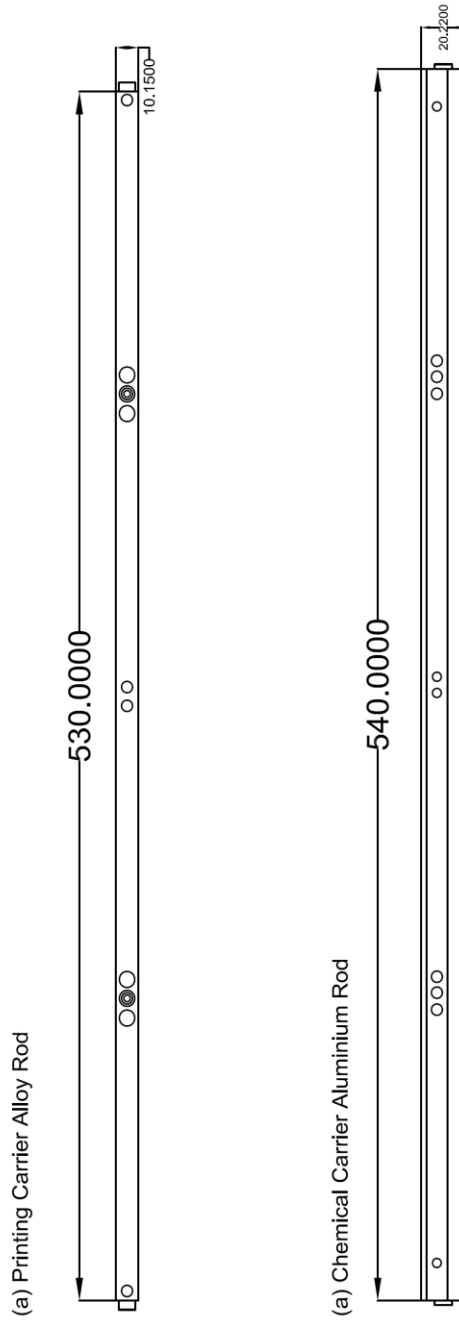
Note:

Collection of 820 carrier rods and 6 nos. of buffer carrier from PV Cell line at BHEL-EDN and delivery of the same back to BHEL-EDN after modification work will be in the scope of the vendor.





Top View of Rods

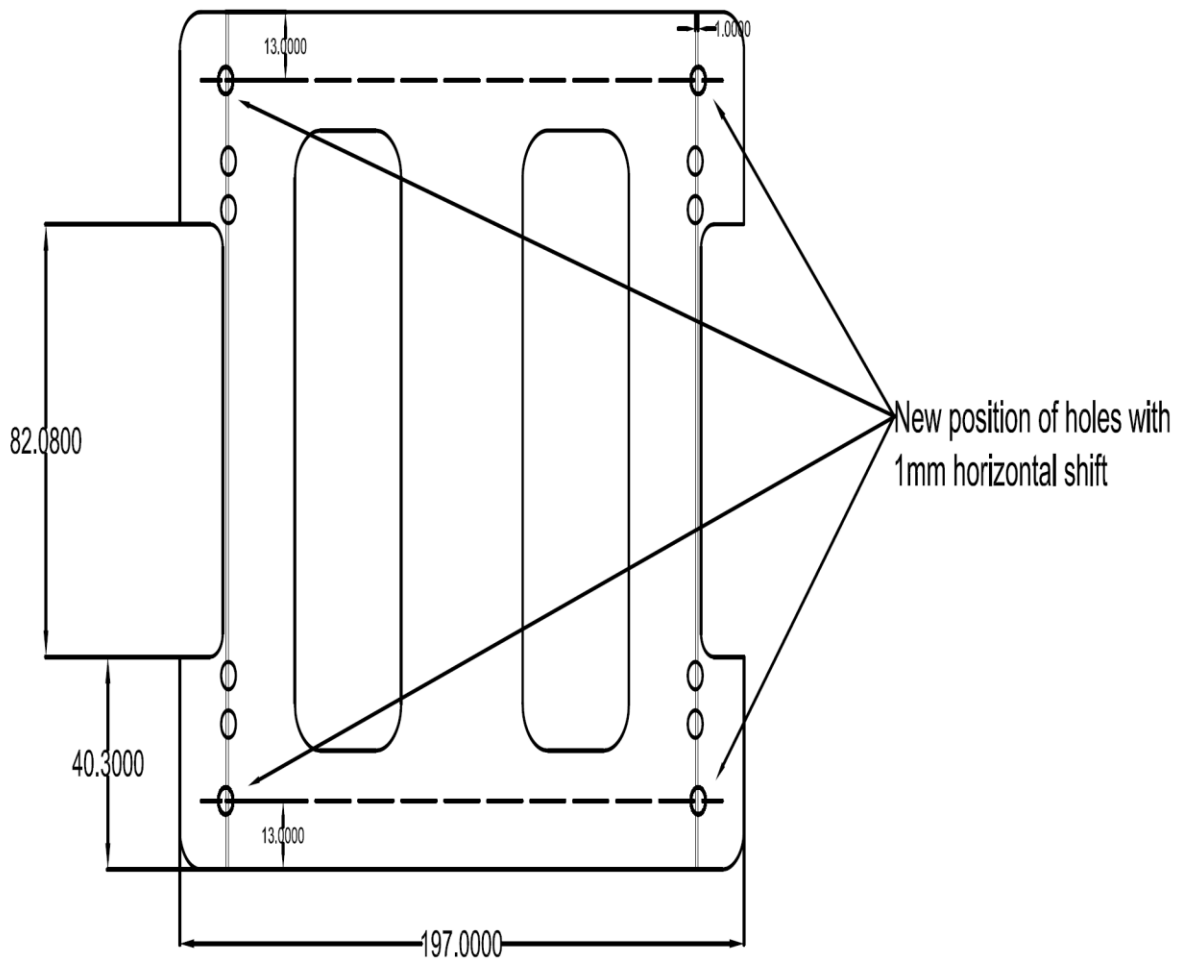


All Dims are in MM

Drawing No. 4-679-02-00013



Buffer Carrier - Top Plate

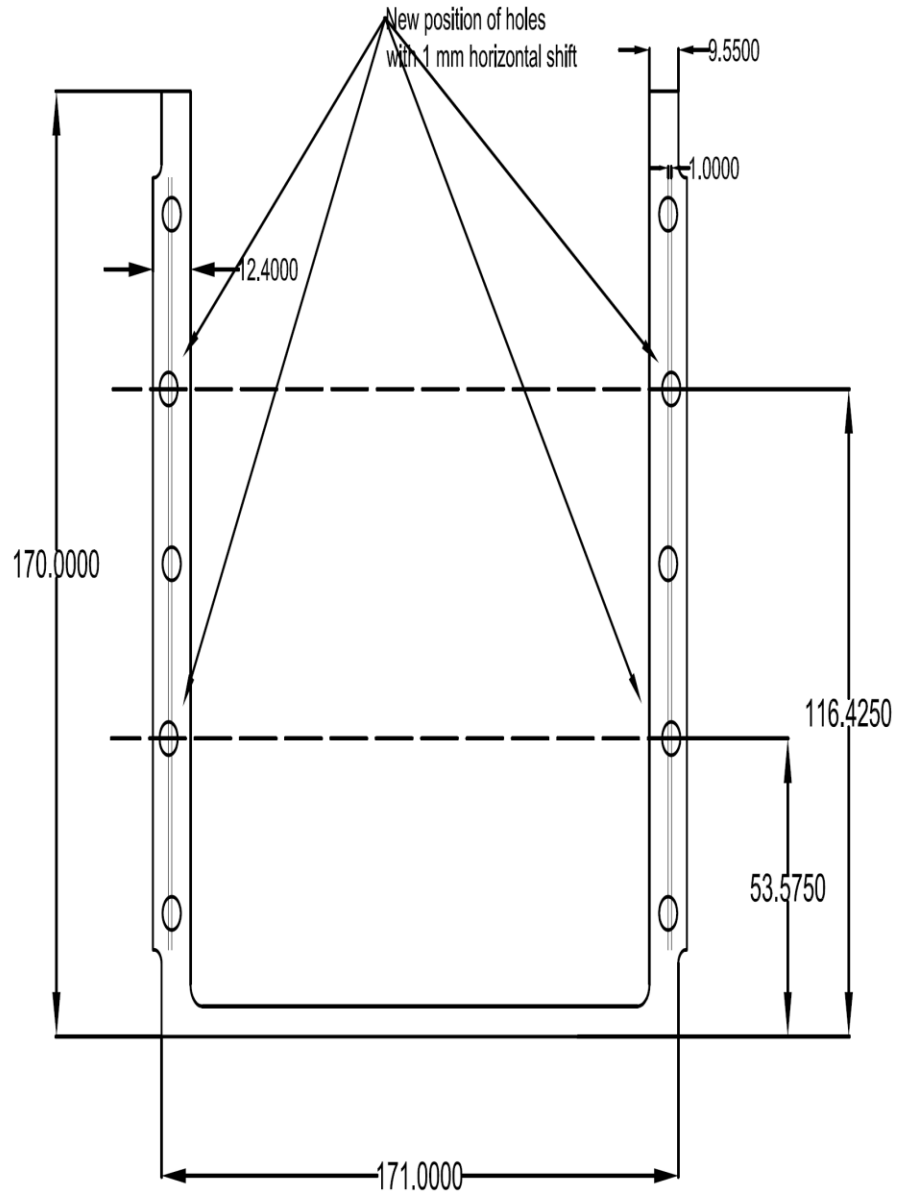


Drawing No. 4-679-02-00010

All dims are in mm



Buffer Carrier - Bottom Plate



Drawing No 4-679-02-00011

All dims are in mm



BHARAT HEAVY ELECTRICALS LIMITED
Solar Business Division, Malleswaram,
Bengaluru - 560 012

TENDER
DOCUMENT
(PART – A)
Vol. I

6.2 ANNEXURE II: TECHNO-COMMERCIAL BID APPLICATION

To,

Deputy Manager / Works Contracts Cell
Bharat Heavy Electricals Limited
Solar Business Division,
IISc Post, Malleswaram,
Bengaluru – 560 012

Dear Sir,

I / We hereby offer to carry out the work “**Upgradation of cell manufacturing line to handle 158.75 mm wafers at BHEL-EDN Bangalore**”

I /We have carefully perused the all the clauses mentioned in NIT and agree to abide with the same.

1. Notice Inviting Tender – Part A Volume 1
2. Notice Inviting Tender – Part A Volume 2
3. Price Bid Format - Part – B

I/ We further agree to execute all the works referred to in the said documents.

I declare that, there was never / is no litigation or charge under investigation / enquiry / trial against me / us, nor conviction in a court of law or suspended or blacklisted by any organization on any grounds.

Signature of Tenderer

Date:



BHARAT HEAVY ELECTRICALS LIMITED
Solar Business Division, Malleswaram,
Bengaluru - 560 012

**TENDER
DOCUMENT
(PART – A)
Vol. I**

ANNEXURE III: BIDDER INFORMATION

S. No.	DETAILS REQUIRED	Requirement fulfilled (Yes / No / NA/ Value)
1	Name of the Company	
2	Name of Authorized Signatory	
3	Name of Contact person for this tender	
4	Email-id of contact person	
5	Contact number	
6	Bank Account Details (Name of Bank, Branch and Account Number). Cancelled Cheque to be enclosed	
7	Details of Relatives employed in BHEL, Name Designation and Unit	
a	Relative 1	
b	Relative 2	
c	Relative 3	



BHARAT HEAVY ELECTRICALS LIMITED
Solar Business Division, Malleswaram,
Bengaluru - 560 012

**TENDER
DOCUMENT
(PART – A)
Vol. I**

ANNEXURE IV: QUALIFICATION REQUIREMENTS

(as per clauses mentioned in Sl. no. 3 “Eligibility Criteria” of Part A, Volume I)

S. No.	DETAILS REQUIRED	Requirement fulfilled (Yes / No / NA/ Value)	Whether proof / document enclosed (YES / NO)
1.	Firm of contractor/independent contractor (Proprietor) should be registered and having at least three years’ existence in business consecutively for the past three financial years.		
2.	Banker’s Solvency Certificate		
3.	Average Annual Financial turnover during the last 3 years ending 31st March of the previous financial year.		
4.	Relevant Work Experience – 1		
5.	Relevant Work Experience – 2		
6.	Relevant Work Experience – 3		
7.	PAN No. - Clause 3.8		
8.	GST Registration Number		
9.	MSEs / NSIC/Udyam Certificate to be enclosed (if applicable)		
10.	EMD Details (DD No., Amount, Date & Bank)		
11.	PPP-MII Format to be enclosed		



ANNEXURE V: BIDDER DECLARATION - I

S. No.	DETAILS REQUIRED	Requirement fulfilled (Yes / No / NA/ Value)
1	I have completely understood the scope of work and submit my agreement to carry out the work as per mentioned in Tender document.	
2	I have quoted rates for the total scope of work mentioned in the tender document	
3	I agree to participate in the Reverse Auction as per Tender Terms and Conditions	
4	I have understood and accepted the payment terms of BHEL as indicated in this tender	
5	I am responsible for the safety of workmen deployed and agree to fulfil the requirements as per tender terms	
6	I have understood the penalty / LD clause mentioned in this tender and submit my agreement for the same.	
7	I agree to participate in the tender and carry out the work (if awarded) ethically and submit my agreement to various requirements in this contract.	
8	I have carefully read the Tender Terms and Conditions and I submit my agreement for the same.	



ANNEXURE VI: BIDDER DECLARATION - II

I, -----, aged-----Years., S/o -----,

Residing at -----

Hereby declare as follows:

- (i) That my nationality is _____.
- (ii) That I am a major and eligible to enter into contract / my firm / my company is competent to enter into an agreement.
- (iii) I shall employ only such personnel who have not been found unfit for employment in Organizations such as Central / state / Public undertaking by the Police Authorities.
- (iv) I shall not employ persons against whom Criminal cases are pending or under investigation.
- (v) I shall also not employ persons found guilty of offences involving moral turpitude for executing work in BHEL contracts.
- (vi) That there are no Criminal cases/Civil/Labor pending or under investigation against me or my firm or company.
- (vii) I have not been found guilty of offences involving moral turpitude nor any of the company directors / partners of my firm have been found guilty of offences involving moral turpitude.
- (viii) Neither I nor my firm nor my company has been declared insolvent in the past.
- (ix) I have taken due care and efforts to furnish only information which are true in the tender document.
- (x) I shall employ labor who is more than 18 years of age and less than 58 years and having sound physical and mental health.
- (xi) I shall keep Photograph / identity proof / residential proof of the laborers to be employed against this tender and arrange for police verification.
- (xii) I shall employ and deploy suitable qualified personnel for supervision of the work in each shift and additionally as required for monitoring compliance to process requirements and compliance to contract terms & conditions.

[Signature with Name & seal of the Tenderer]

Date :

Place :



BHARAT HEAVY ELECTRICALS LIMITED
Solar Business Division, Malleswaram,
Bengaluru - 560 012

**TENDER
DOCUMENT
(PART – A)
Vol. I**

6.7 ANNEXURE VII: DEVIATION SHEET

Deviation not acceptable for this tender.



BHARAT HEAVY ELECTRICALS LIMITED
Solar Business Division, Malleswaram,
Bengaluru - 560 012

TENDER
DOCUMENT
(PART – A)
Vol. I

6.9 Annexure IX – Unpriced Bid

PRICE SCHEDULE

(This BOQ template must not be modified/replaced by the bidder and the same should be uploaded after filling the relevant columns, else the bidder is liable to be rejected for this tender. Bidders are allowed to enter the Bidder Name and Values only)

NUMBE R #	TEXT #	NUMBE R #	TEX T #	NUMBE R #	NUMBE R	NUMBE R #	NUMBE R #	TEXT #
Sl. No.	Item Description	Quantity	Units	BASIC RATE In Figures To be entered by the Bidder Rs. P	GST (To be entered by the Bidder) in %	TOTAL AMOUN T Without Taxes	TOTAL AMOUN T With Taxes	TOTAL AMOUN T In Words
1	2	4	5	13	16	53	54	55
1	Upgradation of cell manufacturing line to handle 158.75 mm wafers at BHEL-EDN Bangalore							
1.01	Printing Carrier Rod Modification	300	Nos			0.0000	0.0000	INR Zero Only
1.02	Chemical Carrier Rod Modification	520	Nos			0.0000	0.0000	INR Zero Only
1.03	Buffer Carrier Modification	06	Nos			0.0000	0.0000	INR Zero Only
Total in Figures						0.0000	0.0000	INR Zero Only
Quoted Rate in Words								



BHARAT HEAVY ELECTRICALS LIMITED
Solar Business Division, Malleswaram,
Bengaluru - 560 012

**TENDER
DOCUMENT
(PART – A)
Vol. I**

End of

PART – A

VOLUME – I



**BHARAT HEAVY ELECTRICALS LIMITED,
Solar Business Division, Malleswaram,
Bengaluru - 560 012**

**TENDER
DOCUMENT
(PART – A)
Vol II**

PART – A

VOLUME – II

TENDER DOCUMENT



Contents

INSTRUCTIONS TO BIDDER.....	3
EARNEST MONEY DEPOSIT (EMD).....	5
SECURITY DEPOSIT (SD).....	6
NON DISCLOSURE AGREEMENT.....	7
CONFIDENTIALITY.....	7
PERIOD OF CONTRACT.....	7
FAILURE TO COMPLY WITH CONTRACT.....	7
SUB-CONTRACTING.....	7
LAWS GOVERNING THE CONTRACT.....	7
LEGAL JURISDICTION.....	7
CARTEL FORMATION.....	7
ARBITRATION & CONCILIATION.....	8
COMPENSATION.....	8
REVERSE AUCTION.....	8
PENALTY/ LD FOR DELAYED DELIVERY.....	8
CONCILIATION CLAUSE.....	8
MAKE IN INDIA Clause.....	8
FORMATS / ANNEXURES.....	8



1.	<u>INSTRUCTIONS TO BIDDER</u>
1.1.	Tender is a two part bid system. The tender documents consist of Part - A and Part - B as detailed below: a. Part 'A': Techno-commercial Bid duly sealed and signed to be submitted in sealed cover enabling us to open on tender due date. b. Part 'B': Price Bid to be submitted in sealed cover as per Tender conditions.
1.2.	Envelope 1: Techno-Commercial Offer a. Documents to be uploaded in Envelope 1: i. Earnest Money Deposit (EMD) either in the form of DD or UTR Number (if paid through EFT) at the space provided. Part 'A' Vol. I: i. Duly completed tender documents volume 1 signed and sealed. ii. Each and every page of tender documents should be signed and sealed. iii. Documents satisfying PQR/Eligibility Criteria as per relevant clause of NIT. iv. Any other documents as per Tender requirements. The tenderer shall not indicate the price or rate in the PART-A: Volume I, PQR. Part 'A' Vol. II i. Duly completed tender documents volume II signed and sealed. ii. Each and every page of tender documents should be signed and sealed by the tenderer iii. Any other documents as per Tender requirements. b. The tenderer shall not indicate the price or rate in the PART-A Volume II: Techno-commercial bid. Envelope 2: Part 'B': Online Price-Bid. i. To be submitted online.
1.3.	The tenderer shall expressly accept all the terms and conditions of the Tender. The tender which does not comply with the BHEL's Terms & Conditions may be rejected as Non-responsive/non-conforming and non-acceptable.
1.4.	The techno-commercial offer will be opened on the due date. The tenders meeting our techno-commercial requirements will be considered for online initial sealed bid auction at a later date for which eligible vendors will be intimated in due course.
1.5.	The tender forms both Part 'A' & 'B' duly filled in all respects shall be signed on each page by the tenderer. Any alteration, erasing will render the tender invalid. Corrections, over writing, cutting(s) etc. are not permitted. All entries in the tender document should be in one ink. All the columns in the tender form should be filled without leaving any column blank in any page of the tender. In case any of the relevant columns are left blank, the tender can be rejected. However, alteration neatly carried out and duly attested over with the full signature of the tenderer is permitted.
1.6.	The tenderer should submit the tender documents intact without detaching any page or pages
1.7.	Before making the offer, the bidders are advised to carefully go through the terms and conditions, which form part of the Agreement.
1.8.	Email submission of tender documents: Email tenders are invited to from all eligible bidders in two-part bid system in soft copies and same should be sent by two separate emails. Techno-commercial bid shall be submitted to BHEL email ID wcctechnical@bhel.in & Price bid shall be submitted to BHEL email ID wccpricebid@bhel.in (i.e., one separate email for technical bid and one separate e-mail for price bid). Interchanging the information in the mails may lead to rejection of the offer. i. The bids shall be submitted to only the said email ID and no copy (Cc and Bcc) shall be marked, to maintain the secrecy of the bid. Any risk associated with violation of this instruction shall be entirely on the bidder. ii. The documents shall be accepted in PDF format only and the maximum allowed size of the document is 8 MB only. iii. ONE email subject header indicating " Bidder name (Principal) – WCC-ASR-202122-012: Techno-commercial bid " consisting of technical offer, PQC documents, commercial terms and conditions. Shall be



	<p>submitted to BHEL email ID wcctechnical@bhel.in</p> <p>iv. If the size of email is bigger than allowed limit, kindly send email in parts clearly indicating in the subject header as part-1,2,3... of Total no. of mails. This document should NOT be password protected.</p> <p>v. To reduce the size of Technical offers by bidder, Bidder has to fill and submit deviation sheet if any against sealed and signed copies of technical and commercial terms of NIT. All other documents required in technical cum commercial bid format shall be submitted along with technical bid.</p> <p>vi. Another email subject indicating " Bidder name (Principal) – “WCC-ASR-202122-012: Price bid” where in the price bid to be submitted as an attachment (format available in the tender document). The price bid shall be in PDF format and password protected. The bidder has to provide the password on the date of price bid opening upon requisition of BHEL vide mail. Shall be submitted to BHEL email ID wccpricebid@bhel.in</p> <p>vii. Part-I (Techno-Commercial Bid) to be submitted in separate email.</p> <p>viii. Part-II (Price Bid) to be submitted in separate email.</p> <p>ix. Email is password protective and will be opened by the tender opening committee on due date and time.</p>
1.9.	<p>Hard copy submission of tender documents: Tender documents consisting of Part 'A' Volumes I & II, Part 'B' duly sealed and signed in another envelope super-scribed as "Tender name, tender reference number and Due date" and should be deposited in BHEL-SBD WEX TENDER BOX kept outside Tender room so as to reach on or before specified Tender opening date and time. The tender documents may also be sent either by registered post/speed post/courier so as to reach the dealing officer mentioned as per Volume I, Part A of this NIT on or before said date and time. Part 'A' Volumes I & II of tender i.e. PQR and Techno-Commercial Bid will be opened on specified Tender Due Date and Time in the presence of tenderers or their representatives who wish to be present for the tender opening. Bidders who qualify the PQR & Techno-commercial Bid will be intimated to attend Tender opening of Part 'B'- Price Bid at the date notified.</p>
1.10.	<p>BHEL reserves the right to assess the capacity and capability of the parties for pre-qualification. The company also reserves the right to accept or reject any or all the tenders or any part thereof at any stage of process without assigning any reason whatsoever. The company has no obligation to accept the lowest tender. Offer of the Tenderer if prima-facie found not comparable with the quantum of work envisaged and the bid is a desperate effort to be L1, then the offer is liable to be rejected. BHEL's decision in this regard shall be final and binding.</p>
1.11.	<p>PRICE BID – Tenderers are required to submit their quotation for all items listed in Price bid format given along with the tender documents. The price should be quoted for each activity after careful study of the actual job requirements so that, in case the contract is awarded, contractor should not express any difficulties in execution of the contract.</p>
1.12.	<p>Contractor to ensure payment of Minimum Wages payable as per statutory provisions of the Appropriate Govt., Apart from the Minimum Wages payable as per statutory provisions of the Appropriate Govt., the tenderer would be required to pay Additional Payments as decided and communicated by BHEL. Supervision of the workmen is in the scope of contractor and the cost of the same to be borne by contractor from the margin. BHEL will not make any payment for the supervisor.</p>
1.13.	<p>VALIDITY OF RATES: The rates quoted should be valid for 90 days initially from the date of opening of the Techno-Commercial bid. (Part-A)</p>
1.14.	<p>Rates should be quoted in Indian Rupees and Paisa only.</p>
1.15.	<p>BHEL reserves the right to reject any bid, which is technically unacceptable and unworkable. Further BHEL also reserves the right to reject any or all tenders without assigning any reasons thereof.</p>
1.16.	<p>BHEL reserves the right to cancel the contract at the initial stage or during the contract period without assigning any reason to the tenderer.</p>
1.17.	<p>Wherever prescribed formats are specified for the tenderers use, he shall use the same for making his claims.</p>
1.18.	<p>Tender document should be complete in all respects. Tenders failing to submit documents in the prescribed forms are liable for rejection.</p>
1.19.	<p>The Offers should be in full conformity with the terms and conditions of this tender. No contradictions are acceptable. Incorrect and incomplete tenders are liable for rejection.</p>
1.20.	<p>Eligible tenderers will be informed of reverse auction, if applicable, as per procedure as stated in the document.</p>



1.21.	If a tenderer deliberately gives wrong information in his tender or creates conditions favorable for the acceptance of his tender, then BHEL reserves the right to reject such tender at any stage.																		
1.22.	If the tenderer indulges in any unethical practice for securing the contract, the offer of such tenderer shall be rejected.																		
1.23.	Any written communication required to be sent to the contractor in writing shall be sent at the address mentioned on the tender form or to any other address subsequently intimated by contractor in writing to BHEL SBD for the contract purposes.																		
1.24.	Micro & Small Enterprises (MSE) can avail the intended benefits only if they submit along with the offer, attested copies of either Udhyaam Certificate or valid NSIC certificate along with attested copy of a CA certificate (where the Certificate is either expired or more than 5 years old) applicable for the relevant financial year (latest audited). Date to be reckoned for determining the deemed validity will be the date of bid opening (Part 1 in case of two part bid). Non submission of such documents will lead to consideration of their bid at par with other bidders. No benefit shall be applicable for this enquiry if any deficiency is observed in the above required documents or all required documents are not submitted before price bid opening. If the tender is to be submitted through e-procurement portal, then the above required documents are to be uploaded on the portal. Documents should be notarized or attested by a Gazetted Officer.																		
1.25.	Evaluation of Bids																		
1.26.	Techno-Commercial Bid & PQR: The techno-commercial bid & PQR will be evaluated based on the eligibility criteria and on acceptance of NIT terms and conditions of BHEL. Only qualified bids will be eligible for price-bid opening.																		
1.27.	Evaluation of Price-Bids: <ul style="list-style-type: none">i. Evaluation of the L-1 offer shall be computed on overall lowest cost to BHEL basis (Grand Total Price for all the items indicated in Price Bid minus tax credit, if, any)ii. In the event of two or more tenderers becoming L1, the said tenderers would be called for negotiation and will be instructed to submit fresh price bid offers. Further, in the event of two or more tenderers becoming L1, the selection of the tenderer for the purpose of awarding contract will be on the basis of LOTTERY to be held in presence of representatives of L1 tenderers.iii. Evaluation of this tender will be done on total package basis. Splitting of this tender is not applicable.																		
2.	<u>EARNEST MONEY DEPOSIT (EMD)</u>																		
2.1.	Earnest Money Deposit (EMD) is to be paid by tenderers for securing fulfilment of any obligations in terms of the NIT. Earnest Money Deposit as indicated in the NIT (Ref. General Information) is to be submitted along with tender documents Part – A.																		
2.2.	Modes of deposit The EMD may be accepted only in the following forms: (i) Cash deposit as permissible under the extant Income Tax Act (before tender opening) (ii) Electronic Fund Transfer credited in BHEL account (before tender opening) Beneficiary name: BHARAT HEAVY ELECTRICALS LIMITED, EPD, MALLESWARAM, BENGALURU <table border="1"><tr><td>NAME OF THE COMPANY</td><td>BHARAT HEAVY ELECTRICALS LIMITED,</td></tr><tr><td>ADDRESS OF THE COMPANY</td><td>EPD UNIT, MALLESWARAM, BENGALURU-560012</td></tr><tr><td>NAME OF BANK</td><td>IDBI BANK LIMITED</td></tr><tr><td>NAME OF BANK BRANCH</td><td>Corporate Banking Branch, IDBI house, 58, 1st floor, mission road, Bengaluru-560027</td></tr><tr><td>CITY</td><td>Bangalore</td></tr><tr><td>ACCOUNT NUMBER</td><td>008103000003605</td></tr><tr><td>ACCOUNT TYPE</td><td>CURRENT ACCOUNT</td></tr><tr><td>IFSC CODE</td><td>IBKL0000377</td></tr><tr><td>MICR CODE</td><td>560259008</td></tr></table> (iii) Banker's cheque/ Pay order/ Demand draft, in favor of BHEL (along with offer)	NAME OF THE COMPANY	BHARAT HEAVY ELECTRICALS LIMITED,	ADDRESS OF THE COMPANY	EPD UNIT, MALLESWARAM, BENGALURU-560012	NAME OF BANK	IDBI BANK LIMITED	NAME OF BANK BRANCH	Corporate Banking Branch, IDBI house, 58, 1st floor, mission road, Bengaluru-560027	CITY	Bangalore	ACCOUNT NUMBER	008103000003605	ACCOUNT TYPE	CURRENT ACCOUNT	IFSC CODE	IBKL0000377	MICR CODE	560259008
NAME OF THE COMPANY	BHARAT HEAVY ELECTRICALS LIMITED,																		
ADDRESS OF THE COMPANY	EPD UNIT, MALLESWARAM, BENGALURU-560012																		
NAME OF BANK	IDBI BANK LIMITED																		
NAME OF BANK BRANCH	Corporate Banking Branch, IDBI house, 58, 1st floor, mission road, Bengaluru-560027																		
CITY	Bangalore																		
ACCOUNT NUMBER	008103000003605																		
ACCOUNT TYPE	CURRENT ACCOUNT																		
IFSC CODE	IBKL0000377																		
MICR CODE	560259008																		



	In case total EMD amount is more than Rs. 20 Lakhs, the amount in excess of Rs. 20 lakhs may be accepted in the form of Bank Guarantee from scheduled bank. The Bank Guarantee in such cases shall be valid for at least six months.
2.3.	Forfeiture of EMD EMD by the Tenderer will be forfeited as per NIT conditions, if: i) After opening the tender and within the offer validity period, the tenderer revokes his tender or makes any modification in his tender which is not acceptable to BHEL. ii) The Contractor fails to deposit the required Security deposit or commence the work within the period as per LOI/ Contract EMD by the tenderer shall be withheld in case any action on the tenderer is envisaged under the provisions of extant “Guidelines on Suspension of business dealings with suppliers/ contractors” and forfeited/ released based on the action as determined under these guidelines.
2.4.	EMD given by all unsuccessful tenderers shall be refunded normally within fifteen days of award of work.
2.5.	EMD shall not carry any interest.
2.6.	EMD of successful tenderer will be retained as part of Security Deposit.
3.	<u>SECURITY DEPOSIT (SD)</u>
3.1.	Security Deposit means the security provided by the Contractor towards fulfilment of any obligations in terms of the provisions of the contract.
3.2.	The total amount of Security Deposit will be 5% of the contract value. EMD of the successful tenderer shall be converted and adjusted towards the required amount of Security Deposit.
3.3.	Modes of deposit: The balance amount to make up the required Security Deposit of 5% of the contract value may be accepted in the following forms: i. Cash (as permissible under the extant Income Tax Act) ii. Local cheque of Scheduled Banks (subject to realization)/ Pay Order/ Demand Draft/ Electronic Fund Transfer in favor of BHEL iii. Bank Guarantee from Scheduled Banks/ Public Financial Institutions as defined in the Companies Act. The Bank Guarantee format should have the approval of BHEL iv. Fixed Deposit Receipt issued by Scheduled Banks/ Public Financial Institutions as defined in the Companies Act (FDR should be in the name of the Contractor, a/c BHEL) v. Securities available from Indian Post offices such as National Savings Certificates, Kisan Vikas Patras etc. (held in the name of Contractor furnishing the security and duly endorsed/ hypothecated/ pledged, as applicable, in favour of BHEL) (Note: BHEL will not be liable or responsible in any manner for the collection of interest or renewal of the documents or in any other matter connected therewith)
3.4.	Collection of Security: At least 50% of the required Security Deposit, including the EMD, should be collected before start of the work. Balance of the Security Deposit can be collected by deducting 10% of the gross amount progressively from each of the running bills of the Contractor till the total amount of the required Security Deposit is collected. If the value of work done at any time exceeds the contract value, the amount of Security Deposit shall be correspondingly enhanced and the additional Security Deposit shall be immediately deposited by the Contractor or recovered from payment/s due to the Contractor. The recoveries made from running bills (cash deduction towards balance SD amount) can be released against submission of equivalent Bank Guarantee in acceptable form, but only once, before completion of work, with the approval of the authority competent to award the work.
3.5.	Security Deposit shall be released to the Contractor upon fulfilment of contractual obligations as per terms of the contract.
3.6.	The Security Deposit shall not carry any interest.
3.7.	Bidder agrees to submit performance security required for execution of the contract within the time period mentioned. In case of delay in submission of performance security, enhanced performance security which would include interest (SBI rate + 6%) for the delayed period, shall be submitted by the bidder. Further, if performance security is not submitted till such time the first bill becomes due, the amount of performance security due shall be



	recovered as per terms defined in NIT / contract, from the bills along with due interest.
4.	<u>NON DISCLOSURE AGREEMENT</u>
4.1.	The contractor shall sign a Non-Disclosure Agreement (NDA) as per BHEL format (Enclosed as annexure) in compliance to Information Security Management System.
5.	<u>CONFIDENTIALITY</u>
5.1.	The contractor and his representatives shall, at all times, undertake to maintain and ensure complete confidentiality and integrity of all data, information, software, drawings & documents, etc. belonging to BHEL and also of the systems, procedures, reports, input documents, results and any other company documents discussed and/or finalized during the course of execution of the order/contract.
6.	<u>PERIOD OF CONTRACT</u>
6.1.	Duration of contract is as mentioned in the General Information of NIT.
6.2.	The contract shall be, initially, for the period as mentioned in NIT – General Information from the date of award of contract. The parties, if mutually agreed upon, may extend the period of contract for a further period on the same terms and conditions-
6.3.	The parties are at liberty to terminate the Agreement by giving three calendar months' notice in writing and the loss if any caused to the other party due to termination of contract shall be compensated by the party terminating it.
7.	<u>FAILURE TO COMPLY WITH CONTRACT</u>
7.1.	Notwithstanding anything contained in any other clause, BHEL reserves the right to terminate the contract due to any failure on the part of the Tenderer in discharging his obligations under the contract or in the event of his becoming insolvent or going into liquidation. The decision of the BHEL about the failure on the part of the Tenderer shall be final and binding on the tenderer.
7.2.	In case of any damage to the existing building, structures, materials, tools, furniture and fixtures, machines etc., caused from contractor's end, the cost of its repairs or replacement will be recovered from the contractor. If there is any work stoppage in any area of the Plant due to the fault of the tenderer, the tenderer is liable to compensate the same.
7.3.	In the event of any failure on the part of the tenderer, BHEL shall have the right without prejudice to any other right or remedies, to get the work done through any other agency and the Tenderer shall be liable to compensate BHEL for any losses on this account. The additional cost, loss, if any incurred by BHEL will be recovered from the bills, security deposits, other dues as well as directly from the Tenderer.
8.	<u>SUB-CONTRACTING</u>
8.1.	The contractor shall not sub-contract or transfer or assign the contract in full or any part thereof to any other person or firm or company without the previous express written approval of BHEL.
9.	<u>LAWS GOVERNING THE CONTRACT</u>
9.1.	The contract will be governed by the Laws of India for the time being in force and as amended or made from time to time.
9.2.	All disputes shall be settled in accordance with the Laws of India for the time being in force and as amended from time to time.
9.3.	All disputes arising out of or in relation to this contract or Agreement shall be settled by mutual discussions and in the event of failure such disputes shall be referred to the Arbitrator.
10.	<u>LEGAL JURISDICTION</u>
10.1.	In respect of all matters arising out of or pertaining to the contract, the cause of action thereof shall be deemed to have arisen only at Bengaluru, where BHEL - SBD is situated. All legal proceedings pertaining to the above matters or dispute shall be instituted only in courts having territorial jurisdiction over the place where BHEL-SBD is situated and no other court shall have the jurisdiction.
11.	<u>CARTEL FORMATION</u>
11.1.	The Bidder declares that they will not enter into any illegal or undisclosed agreement or understanding, whether formal or informal with other Bidder(s). This applies in particular to prices, specifications, certifications, subsidiary contracts, submission or non-submission of bids or any other actions to restrict competitiveness or to introduce cartelization in the bidding process. In case, the Bidder is found having indulged in above activities, suitable action shall be taken by BHEL as per extant policies/ guidelines.



12.	<u>ARBITRATION & CONCILIATION</u>
12.1.	Except as provided elsewhere in this Contract, in case amicable settlement is not reached between the Parties, in respect of any dispute or difference; arising out of the formation, breach, termination, validity or execution of the Contract; or, the respective rights and liabilities of the Parties; or, in relation to interpretation of any provision of the Contract; or, in any manner touching upon the Contract, then, either Party may, by a notice in writing to the other Party refer such dispute or difference to the sole arbitration of an arbitrator appointed by Head of the BHEL Solar Business Division.
12.2.	The Arbitrator shall pass a reasoned award and the award of the Arbitrator shall be final and binding upon the Parties
12.3.	Subject as aforesaid, the provisions of Arbitration and Conciliation Act 1996 (India) or statutory modifications or re-enactments thereof and the rules made thereunder and for the time being in force shall apply to the arbitration proceedings under this clause. The seat of arbitration shall be Bengaluru.
12.4.	The cost of arbitration shall be borne as per the award of the Arbitrator.
12.5.	Subject to the arbitration in terms of 11.3, the Courts at Bengaluru shall have exclusive jurisdiction over any matter arising out of or in connection with this Contract.
12.6.	Notwithstanding the existence or any dispute or differences and/or reference for the arbitration, the Contractor shall proceed with and continue without hindrance the performance of its obligations under this Contract with due diligence and expedition in a professional manner except where the Contract has been terminated by either Party in terms of this Contract.
13.	<u>COMPENSATION</u>
13.1.	“BHEL shall recover the amount of compensation paid to victim(s) by BHEL towards loss of life / permanent disability due to an accident which is attributable to the negligence of contractor, agency or firm or any of its employees as detailed below. a) Victim: Any person who suffers permanent disablement or dies in an accident as defined below. b) Accident: Any death or permanent disability resulting solely and directly from any unintended and unforeseen injurious occurrence caused during the manufacturing/ operation and works incidental thereto at BHEL factories/ offices and precincts thereof, project execution, erection and commissioning, services, repairs and maintenance, trouble shooting, serving, overhaul, renovation and retrofitting, trial operation, performance guarantee testing undertaken by the company or during any works / during working at BHEL Units/ Offices/ townships and premises/ Project Sites. c) Compensation in respect of each of the victims: (i) In the event of death or permanent disability resulting from Loss of both limbs: ₹10,00,000/- (Rupees Ten Lakhs) (ii) In the event of other permanent disability: ₹7,00,000/- (Rupees Seven Lakhs) d) Permanent Disablement: A disablement that is classified as a permanent total disablement under the proviso to Section 2 (I) of the Employee’s Compensation Act, 1923.”
14.	<u>REVERSE AUCTION</u>
14.1.	Reverse Auction is not applicable for this tender.
15.	<u>PENALTY/ LD FOR DELAYED DELIVERY</u>
15.1.	AS per GCC.
16.	<u>CONCILIATION CLAUSE</u>
16.1.	As per Annexure – I.
17.	<u>MAKE IN INDIA Clause</u>
17.1.	For this procurement, Public Procurement (Preference to MAKE IN INDIA) Order 2017 Dated 15.06.2017, 28.05.2018, 29.05.2019, 04.06.2020 and subsequent orders issued by the respective Nodal Ministry shall be applicable. Even if issued after issue of this NIT but before finalization of contract WO against this NIT.
17.2.	In the event of any Nodal Ministry prescribing higher or lower percentage of purchase preference and/ or local content in respect of this procurement same shall be applicable.
18.	<u>FORMATS / ANNEXURES</u>
18.1.	Agreement Format between BHEL SBD & Contractor
18.2.	Third Party Non-Disclosure Agreement (NDA) format
18.3.	EFT Format
18.4.	Format for Integrity Pact



BHARAT HEAVY ELECTRICALS LIMITED,
Solar Business Division, Malleswaram,
Bengaluru - 560 012

**TENDER
DOCUMENT
(PART – A)
Vol II**

18.5.	PPP-MII Format
18.6.	Annexure – I



18.1 AGREEMENT BETWEEN BHEL- SBD AND CONTRACTOR

This Agreement made on this _____ day of _____ Two Thousand and Nine between M/s / Shri _____ aged about _____ years S/O of Shri _____, residing at _____, hereinafter called the "Contractor" (which expression shall unless repugnant to the context or meaning thereof be deemed to mean and include its successors and permitted assigns) of the First part.

AND

BHARAT HEAVY ELECTRICALS LIMITED, SOLAR BUSINESS DIVISION, Prof. CNR Circle, P.B.1245, IISc Post, Malleswaram, BENGALURU-560012, a Company incorporated under the Companies Act 1956 and having its registered office at BHEL House, Siri Fort New Delhi - 110049, hereinafter called " BHEL-SBD " (which expression shall unless repugnant to the context or meaning thereof be deemed to mean and include its successors and permitted assigns) of the second part.

Whereas,

BHEL, SBD is desirous of entrusting to the said contractor to engage and carryout the contract job of more specifically mentioned in the Annexure (hereinafter called the Contract work) to this Agreement.

The Contractor who is a specialized agency in the type of contract work in different establishments has agreed to undertake the said contract work on job contract basis.

NOW THEREFORE IT IS AGREED BETWEEN THE PARTIES:

The Terms and conditions of this agreement are as stipulated in:

- Notice Inviting Tender
- Scope of Work
- Proforma for Offering Techno-Commercial Bid
- Special Terms & Conditions of the Contract
- General Terms and Conditions
- Duties and Responsibilities of Contractor
- Price Bid Format
- Declaration by Contractor
- Any minutes of the meeting & written understanding between BHEL & Contractor
- Work Orders and Work Instructions issued to the Contractor
- Agreement between Contractor and BHEL-SBD

Shall form part and parcel of this agreement.

IN WITNESS WHEREOF THE PARTIES HERETO through their authorized Representatives have signed these presents on the day, month and year mentioned above.

For and on behalf of M/s-----

[Authorized signatory]
Name & Designation

Witness : 1



Signature :

Designation :

Address :

For and on behalf of
Bharat Heavy Electricals Limited
Solar Business Division,
Bengaluru 560012.

[Authorized signatory]

Name & Designation

Witness : 2

Signature :

Designation :

Address :



18.2 THIRD PARTY NON-DISCLOSURE AGREEMENT

I, _____ on behalf of the _____ (Name of Company),

acknowledge that the information received or generated, directly or indirectly, while working with BHEL on contract is confidential and that the nature of the business of the BHEL is such that the following conditions are reasonable, and therefore:

I warrant and agree as follows:

I, or any other personnel employed or engaged by our company, agree not to disclose, directly or indirectly, any information related to the BHEL. Without restricting the generality of the foregoing, it is agreed that we will not disclose such information consisting but not necessarily limited to:

- Technical information: Methods, drawings, processes, formulae, compositions, systems, techniques, inventions, computer programs/data/configuration and research projects.
- Business information: Customer lists, project schedules, pricing data, estimates, financial or marketing data,

On conclusion of contract, I, or any other personnel employed or engaged by our company shall return to BHEL all documents and property of BHEL, including but not necessarily limited to: drawings, blueprints, reports, manuals, computer programs/data/configuration, and all other materials and all copies thereof relating in any way to BHEL's business, or in any way obtained by me during the course of contract. I further agree that I, or any others employed or engaged by our company shall not retain copies, notes or abstracts of the foregoing.

This obligation of confidence shall continue after the conclusion of the contract also.

I acknowledge that the aforesaid restrictions are necessary and fundamental to the business of the BHEL, and are reasonable given the nature of the business carried on by the BHEL. I agree that this agreement shall be governed by and construed in accordance with the laws of country.

I enter into this agreement totally voluntarily, with full knowledge of its meaning, and without duress.

Dated at....., this..... day of20.. .

Name

Company

Signature



18.4 Format for Integrity Pact

INTEGRITY PACT

Between

Bharat Heavy Electricals Ltd. (BHEL), a company registered under the Companies Act 1956 and having its registered office at “BHEL House”, Siri Fort, New Delhi – 110049 (India) hereinafter referred to as “The Principal”, which expression unless repugnant to the context or meaning hereof shall include its successors or assigns of the ONE PART

and

_____, (description of the party along with address), hereinafter referred to as “The Bidder/ Contractor” which expression unless repugnant to the context or meaning hereof shall include its successors or assigns of the OTHER PART

Preamble

The Principal intends to award, under laid-down organizational procedures, contract/s for _____
_____. The Principal values full compliance with all relevant laws of the land, rules and regulations, and the principles of economic use of resources, and of fairness and transparency in its relations with its Bidder(s)/ Contractor(s). In order to achieve these goals, the Principal will appoint Independent External Monitor(s), who will monitor the tender process and the execution of the contract for compliance with the principles mentioned above.

Section 1 – Commitments of the Principal

1.1 The Principal commits itself to take all measures necessary to prevent corruption and to observe the following principles:

1.1.1 No employee of the Principal, personally or through family members, will in connection with the tender for, or the execution of a contract, demand, take a promise for or accept, for self or third person, any material or immaterial benefit which the person is not legally entitled to.

1.1.2 The Principal will, during the tender process treat all Bidder(s) with equity and reason. The Principal will in particular, before and during the tender process, provide to all Bidder(s) the same information and will not provide to any Bidder(s) confidential / additional information through which the Bidder(s) could obtain an advantage in relation to the tender process or the contract execution.

1.1.3 The Principal will exclude from the process all known prejudiced persons.

1.2 If the Principal obtains information on the conduct of any of its employees which is a penal offence under the Indian Penal Code 1860 and Prevention of Corruption Act 1988 or any other statutory penal enactment, or if there be a substantive suspicion in this regard, the Principal will inform its Vigilance Office and in addition can initiate disciplinary actions.

Section 2 – Commitments of the Bidder(s)/ Contractor(s)

2.1 The Bidder(s)/ Contractor(s) commit himself to take all measures necessary to prevent corruption. He commits himself to observe the following principles during his participation in the tender process and during the contract execution.



2.1.1 The Bidder(s)/ Contractor(s) will not, directly or through any other person or firm, offer, promise or give to the Principal or to any of the Principal's employees involved in the tender process or the execution of the contract or to any third person any material, immaterial or any other benefit which he / she is not legally entitled to, in order to obtain in exchange any advantage of any kind whatsoever during the tender process or during the execution of the contract.

2.1.2 The Bidder(s)/ Contractor(s) will not enter with other Bidder(s) into any illegal or undisclosed agreement or understanding, whether formal or informal. This applies in particular to prices, specifications, certifications, subsidiary contracts, submission or non-submission of bids or any other actions to restrict competitiveness or to introduce cartelization in the bidding process.

2.1.3 The Bidder(s)/ Contractor(s) will not commit any penal offence under the relevant IPC / PC Act; further the Bidder(s)/ Contractor(s) will not use improperly, for purposes of competition or personal gain, or pass on to others, any information or document provided by the Principal as part of the business relationship, regarding plans, technical proposals and business details, including information contained or transmitted electronically.

2.1.4 The Bidder(s)/ Contractor(s) will, when presenting his bid, disclose any and all payments he has made, and is committed to or intends to make to agents, brokers or any other intermediaries in connection with the award of the contract.

2.2 The Bidder(s)/ Contractor(s) will not instigate third persons to commit offences outlined above or be an accessory to such offences.

Section 3 – Disqualification from tender process and exclusion from future contracts

If the Bidder(s)/ Contractor(s), before award or during execution has committed a transgression through a violation of Section 2 above, or acts in any other manner such as to put his reliability or credibility in question, the Principal is entitled to disqualify the Bidders(s)/ Contractor(s) from the tender process or take action as per the separate "Guidelines for Suspension of Business Dealings with Suppliers/ Contractors" framed by the Principal.

Section 4 – Compensation for Damages

4.1 If the Principal has disqualified the Bidder(s) from the tender process prior to the award according to Section 3, the Principal is entitled to demand and recover the damages equivalent to Earnest Money Deposit/ Bid Security.

4.2 If the Principal has terminated the contract according to Section 3, or if the Principal is entitled to terminate the contract according to section 3, the Principal shall be entitled to demand and recover from the Contractor liquidated damages equivalent to 5% of the contract value or the amount equivalent to Security Deposit/Performance Bank Guarantee, whichever is higher.

Section 5 – Previous Transgression

5.1 The Bidder declares that no previous transgressions occurred in the last 3 years with any other company in any country conforming to the anti-corruption approach or with any other Public Sector Enterprise in India that could justify his exclusion from the tender process.

5.2 If the Bidder makes incorrect statement on this subject, he can be disqualified from the tender process or the contract, if already awarded, can be terminated for such reason.

Section 6 – Equal treatment of all Bidders/ Contractors/ Sub-contractors



6.1 The Bidder(s)/ Contractor(s) undertake(s) to demand from his sub-contractors a commitment consistent with this Integrity Pact. This commitment shall be taken only from those sub-contractors whose contract value is more than 20% of Bidder's/ Contractor's contract value with the Principal.

6.2 The Principal will enter into agreements with identical conditions as this one with all Bidders and Contractors.

6.3 The Principal will disqualify from the tender process all bidders who do not sign this pact or violate its provisions.

Section 7 – Criminal Charges against violating Bidders/ Contractors /Subcontractors

If the Principal obtains knowledge of conduct of a Bidder, Contractor or Subcontractor, or of an employee or a representative or an associate of a Bidder, Contractor or Subcontractor which constitutes corruption, or if the Principal has substantive suspicion in this regard, the Principal will inform the Vigilance Office.

Section 8 –Independent External Monitor(s)

8.1 The Principal appoints competent and credible Independent External Monitor for this Pact. The task of the Monitor is to review independently and objectively, whether and to what extent the parties comply with the obligations under this agreement.

8.2 The Monitor is not subject to instructions by the representatives of the parties and performs his functions neutrally and independently. He reports to the CMD, BHEL.

8.3 The Bidder(s)/ Contractor(s) accepts that the Monitor has the right to access without restriction to all contract documentation of the Principal including that provided by the Bidder(s)/ Contractor(s). The Bidder(s)/ Contractor(s) will grant the monitor, upon his request and demonstration of a valid interest, unrestricted and unconditional access to his contract documentation. The same is applicable to Sub-contractor(s). The Monitor is under contractual obligation to treat the information and documents of the Bidder(s)/ Contractor(s) / Sub-contractor(s) with confidentiality.

8.4 The Principal will provide to the Monitor sufficient information about all meetings among the parties related to the contract provided such meetings could have an impact on the contractual relations between the Principal and the Contractor. The parties offer to the Monitor the option to participate in such meetings.

8.5 As soon as the Monitor notices, or believes to notice, a violation of this agreement, he will so inform the Management of the Principal and request the Management to discontinue or take corrective action, or heal the situation, or to take other relevant action. The Monitor can in this regard submit non-binding recommendations. Beyond this, the Monitor has no right to demand from the parties that they act in a specific manner, refrain from action or tolerate action.

8.6 The Monitor will submit a written report to the CMD, BHEL within 8 to 10 weeks from the date of reference or intimation to him by the Principal and, should the occasion arise, submit proposals for correcting problematic situations.

8.7 The CMD, BHEL shall decide the compensation to be paid to the Monitor and its terms and conditions.

8.8 If the Monitor has reported to the CMD, BHEL, a substantiated suspicion of an offence under relevant IPC / PC Act, and the CMD, BHEL has not, within reasonable time, taken visible action to proceed against such offence or reported it to the Vigilance Office, the Monitor may also transmit this information directly to the Central Vigilance Commissioner, Government of India.

8.9 The number of Independent External Monitor(s) shall be decided by the CMD, BHEL.

8.10 The word 'Monitor' would include both singular and plural.



Section 9 – Pact Duration

9.1 This Pact begins when both parties have legally signed it. It expires for the Contractor 12 months after the last payment under the respective contract and for all other Bidders 6 months after the contract has been awarded.

9.2 If any claim is made / lodged during this time, the same shall be binding and continue to be valid despite the lapse of this pact as specified as above, unless it is discharged/ determined by the CMD, BHEL.

Section 10 – Other Provisions

10.1 This agreement is subject to Indian Laws and jurisdiction shall be registered office of the Principal, i.e. New Delhi.

10.2 Changes and supplements as well as termination notices need to be made in writing. Side agreements have not been made.

10.3 If the Contractor is a partnership or a consortium, this agreement must be signed by all partners or consortium members.

10.4 Should one or several provisions of this agreement turn out to be invalid, the remainder of this agreement remains valid. In this case, the parties will strive to come to an agreement to their original intentions.

10.5 Only those bidders/ contractors who have entered into this agreement with the Principal would be competent to participate in the bidding. In other words, entering into this agreement would be a preliminary qualification.

For & On behalf of the Principal
(Office Seal)

For & On behalf of the Bidder/ Contractor
(Office Seal)

Place _____
Date _____

Witness (Name & Address):

Witness (Name & Address):



18.5 PPP-MII Format

FORMAT FOR VERIFICATION OF LOCAL CONTENT UNDER PREFERENCE TO MAKE IN INDIA ORDER

(To be submitted with the offer)

[Applicable for procurement value from Rs. 5.00 Lac to Rs. 10.00 Crore]

Self-certification giving the percentage of local content, in line with PPP-MII order, if applicable [to be submitted on the letter head of the issuer.]

Item Name: **Upgradation of cell manufacturing line to handle 158.75 mm wafers at BHEL-EDN Bangalore**

Enquiry No.: WCC-ASR-202122-012

Project: **Upgradation of cell manufacturing line to handle 158.75 mm wafers at BHEL-EDN Bangalore**

Applicable percentage of Local Content.....

(Bidder to indicate local content in percentage)

We have read and understood the provisions of “Public Procurement (Preference to Make in India) Order, 2017” dated 15/06/2017, its revision dated 28/05/2018 and any subsequent modifications/Amendments, if any [hereinafter, “PPP-MII Order”] issued by Department of Industrial Policy and Promotion (DIPP), Ministry of Commerce and Industry, Government of India.

In line with the provisions of the PPP-MII Order, We, M/s. [Enter the name of the Bidder] [hereinafter, “Local Supplier”] submits self-certification to M/s. Bharat Heavy Electricals Limited [hereinafter, BHEL] regarding Local Content in Goods/Services/Works to be supplied by the Local Supplier “**Upgradation of cell manufacturing line to handle 158.75 mm wafers at BHEL-EDN Bangalore**” (Enter the name of the Equipment/Item for Project), wherein we have agreed to abide by the terms and conditions of the PPP-MII Order.

Details of location at which local value addition will be made is as follows:

We also understand, false declarations will be in breach of the Code of Integrity under Rule 175(1)(i)(h) of the General Financial Rules for which a bidder or its successors can be debarred for up to two years as per Rule 151 (iii) of the General Financial Rules along with such other actions as may be permissible under law.

For and on behalf of,

Authorized Signatory
(With Company Seal & Signature)

Date:

Note: This is a guiding format. In case the bidder submits the certificate in a format different from the above, the same may be considered provided it meets the intent and purpose, as may be ascertained by BHEL.



18.6 ANNEXURE I

MODEL CONCILIATION CLAUSE FOR CONDUCT OF CONCILIATION UNDER THE BHEL CONCILIATION SCHEME, 2018

BRIEF PROCEDURE FOR CONDUCT OF CONCILIATION PROCEEDINGS

The proceedings of Conciliation shall broadly be governed by Part-III of the Arbitration and Conciliation Act 1996 or any statutory modification thereof and as provided herein:

1. The party desirous of resorting to Conciliation shall send an invitation/notice in writing to the other party to conciliate specifying all points of Disputes with details of the amount claimed. The party concerned shall not raise any new issue thereafter. Parties shall also not claim any interest on claims/counter-claims from the date of notice invoking Conciliation till the conclusion of the Conciliation proceedings. If BHEL is to initiate Conciliation, then, the invitation to Conciliate shall be extended to the concerned Stakeholder in Format 7 hereto. Where the stakeholder is to initiate the Conciliation, the notice for initiation of Conciliation shall be sent in Format-8 hereto.
2. The party receiving the invitation/notice for Conciliation shall within 30 days of receipt of the notice of Conciliation intimate its consent for Conciliation along with its counter-claims, if any.
3. The Conciliation in a matter involving claim or counter-claim (whichever is higher) up to Rs 5 crores shall be carried out by sole Conciliator nominated by BHEL while in a matter involving claim or counter-claim (whichever is higher) of more than Rs 5 crores Conciliation shall be carried out by 3 Conciliators nominated by BHEL. The appointment of Conciliator(s) shall be completed and communicated by the concerned Department/Group of BHEL Unit/Division/Region/Business Group to the other party and the Conciliator(s) within 30 days from the date of acceptance of the invitation to conciliate by the concerned party in the Format-9. The details of the Claim, and counter-claim, if any, shall be intimated to the Conciliator(s) simultaneously in Format-5.
4. The Parties shall be represented by only their duly authorized in-house executives/officers and neither Party shall be represented by a Lawyer.
5. The first meeting of the IEC shall be convened by the IEC by sending appropriate communication/notice to both the parties as soon as possible but not later than 30 days from the date of his/their appointment. The hearings in the Conciliation proceeding shall ordinarily be concluded within two (2) months and, in exceptional cases where parties have expressed willingness to settle the matter or there exists possibility of settlement in the matter, the proceedings may be extended by the IEC by a maximum of further 2 months with the consent of the Parties subject to cogent reasons being recorded in writing.
6. The IEC shall thereafter formulate recommendations for settlement of the Disputes supported by reasons at the earliest but in any case within 15 days from the date of conclusion of the last hearing. The recommendations so formulated along with the reasons shall be furnished by the IEC to both the Parties at the earliest but in any case within 1 month from the date of conclusion of the last hearing.
7. Response/modifications/suggestions of the Parties on the recommendations of the IEC are to be submitted to the IEC within time limit stipulated by the IEC but not more than 15 days from the date of receipt of the recommendations from the IEC.
8. In the event, upon consideration, further review of the recommendations is considered necessary, whether by BHEL or by the other Party, then, the matter can be remitted back to the IEC with request to reconsider the same in light of the issues projected by either/both the Parties and to submit its recommendations thereon within the following 15 days from the date of remitting of the case by either of the Parties.
9. Upon the recommendations by the Parties, with or without modifications, as considered necessary, the IEC shall be called upon to draw up the Draft Settlement Agreement in terms of the recommendations.
10. When a consensus can be arrived at between the parties only in regard to any one or some of the issues referred for Conciliation the draft Settlement Agreement shall be accordingly formulated in regard to the said Issue(s), and the said Settlement Agreement, if signed, by the parties, shall be valid only for the said issues. As regards the balance issues not settled, the parties may seek to resolve them further as per terms and conditions provided in the contract.



11. In case no settlement can be reached between the parties, the IEC shall by a written declaration, pronounce that the Conciliation between the parties has failed and is accordingly terminated.
12. Unless the Conciliation proceedings are terminated in terms of para 22 (b), (c) & (d) herein below, the IEC shall forward his/its recommendations as to possible terms of settlement within one (1) month from the date of last hearing. The date of first hearing of Conciliation shall be the starting date for calculating the period of 2 months.
13. In case of 3 members IEC, 2 members of IEC present will constitute a valid quorum for IEC and meeting can take place to proceed in the matter after seeking consent from the member who is not available. If necessary, videoconferencing may be arranged for facilitating participation of the members. However, the IEC recommendations will be signed by all members. Where there is more than one (1) Conciliator, as a general rule they shall act jointly. In the event of differences between the Members of IEC, the decision/recommendations of the majority of the Members of IEC shall prevail and be construed as the recommendation of the IEC.
14. The Draft Settlement Agreement prepared by the IEC in terms of the consensus arrived at during the Conciliation proceedings between the Parties shall be given by the IEC to both the parties for putting up for approval of their respective Competent Authority.
15. Before submitting the draft settlement agreement to BHEL's Competent Authority viz. the Board Level Committee on Alternative Dispute Resolution (BLCADR) for approval, concurrence of the other party's Competent Authority to the draft settlement agreement shall be obtained by the other party and informed to BHEL within 15 days of receipt of the final draft settlement agreement by it. Upon approval by the Competent Authority, the Settlement Agreement would thereafter be signed by the authorized representatives of both the Parties and authenticated by the members of the IEC.
16. In case the Draft Settlement Agreement is rejected by the Competent Authority of BHEL or the other Party, the Conciliation proceedings would stand terminated.
17. A Settlement Agreement shall contain a statement to the effect that each of the person(s) signing thereto (i) is fully authorized by the respective Party(ies) he/she represents, (ii) has fully understood the contents of the same and (iii) is signing on the same out of complete freewill and consent, without any pressure, undue influence.
18. The Settlement Agreement shall thereafter have the same legal status and effect as an arbitration award on agreed terms on the substance of the dispute rendered by an arbitral tribunal passed under section 30 of the Arbitration and Conciliation Act, 1996.
19. Acceptance of the Draft Settlement Agreement/recommendations of the Conciliator and/or signing of the Settlement Agreement by BHEL shall however, be subject to withdrawal/closure of any arbitral and/or judicial proceedings initiated by the concerned Party in regard to such settled issues.
20. Unless otherwise provided for in the agreement, contract or the Memorandum of Understanding, as the case may be, in the event of likelihood of prolonged absence of the Conciliator or any member of IEC, for any reason/incapacity, the Competent Authority/Head of Unit/Division/Region/Business Group of BHEL may substitute the Conciliator or such member at any stage of the proceedings. Upon appointment of the substitute Conciliator(s), such reconstituted IEC may, with the consent of the Parties, proceed with further Conciliation into the matter either de-novo or from the stage already reached by the previous IEC before the substitution.
21. The proceedings of Conciliation under this Scheme may be terminated as follows:
 - a. On the date of signing of the Settlement agreement by the Parties; or,
 - b. By a written declaration of the IEC, after consultation with the parties, to the effect that further efforts at conciliation are no longer justified, on the date of the declaration; or,
 - c. By a written declaration of the Parties addressed to the IEC to the effect that the Conciliation proceedings are terminated, on the date of the declaration; or,
 - d. By a written declaration of a Party to the other Party and the IEC, if appointed, to the effect that the Conciliation proceedings are terminated, on the date of the declaration; or,
 - e. On rejection of the Draft Settlement Agreement by the Competent Authority of BHEL or the other Party.
22. The Conciliator(s) shall be entitled to following fees and facilities:



Sl No	Particulars	Amount
1	Sitting fees	Each Member shall be paid a Lump Sum fee of Rs 75,000/- for the whole case payable in terms of paragraph No. 27 herein below.
2	Towards drafting of settlement agreement	In cases involving claim and/or counter-claim of up to Rs 5crores. Rs 50,000/- (Sole Conciliator) In cases involving claim and/or counter-claim of exceeding Rs 5 crores but less than Rs 10 crores. Rs 75,000 (per Conciliator) In cases involving claim and/or counter-claim of more than Rs 10 crores. Rs 1,00,000/- (per Conciliator) Note: The aforesaid fees for the drafting of the Settlement Agreement shall be paid on the, Signing of the Settlement Agreement after approval of the Competent Authority or Rejection of the proposed Settlement Agreement by the Competent Authority of BHEL.
3	Secretarial expenses	Rs 10,000/- (one time) for the whole case for Conciliation by a Sole Member IEC. Where Conciliation is by multi member Conciliators –Rs 30,000/- (one time)- to be paid to the IEC
4	Travel and Transportation	As per entitlement of equivalent officer (pay scale wise) in BHEL
	Others	As per the extant entitlement of whole time Functional Directors in BHEL. Ordinarily, the IEC Member(s) would be entitled to travel by air Economy Class
5	Venue for meeting	Unless otherwise agreed in the agreement, contract or the Memorandum of Understanding, as the case may be, the venue/seat of proceedings shall be the location of the concerned Unit / Division / Region / Business Group of BHEL. Without prejudice to the seat/venue of the Conciliation being at the location of concerned BHEL Unit / Division / Region / Business Group, the IEC after consulting the Parties may decide to hold the proceedings at any other place/venue to facilitate the proceedings. Unless, Parties agree to conduct Conciliation at BHEL premises, the venue is to be arranged by either Party alternately.

23. The parties will bear their own costs including cost of presenting their cases/evidence/witness(es)/expert(s) on their behalf. The parties agree to rely upon documentary evidence in support of their claims and not to bring any oral evidence in IEC proceedings.
24. If any witness(es) or expert(s) is/are, with the consent of the parties, called upon to appear at the instance of the IEC in connection with the matter, then, the costs towards such witness(es)/expert(s) shall be determined by the IEC with the consent of the Parties and the cost so determined shall be borne equally by the Parties.
25. The other expenditures/costs in connection with the Conciliation proceedings as well as the IEC's fees and expenses shall be shared by the Parties equally.
26. Out of the lump sum fees of Rs 75,000/- for Sitting Fees, 50% shall be payable after the first meeting of the IEC and the remaining 50% of the Sitting Fees shall be payable only after termination of the conciliation proceedings in terms of para 22 hereinabove.
27. The travelling, transportation and stay at outstation shall be arranged by concerned Unit as per entitlements as per Serial No. 4 of the Table at para 23 above, and in case such arrangements are not made by the BHEL Unit, the same shall be reimbursed to the IEC on actuals limited to their entitlement as per Serial No. 4 of the Table at Para 23 above against supporting documents. The IEC Member(s) shall submit necessary invoice for claiming the fees/reimbursements.



28. The Parties shall keep confidential all matters relating to the conciliation proceedings. Confidentiality shall extend also to the settlement agreement, except where its disclosure is necessary for purposes of its implementation and enforcement or as required by or under a law or as per directions of a Court/Governmental authority/ regulatory body, as the case may be.
29. The Parties shall not rely upon or introduce as evidence in any further arbitral or judicial proceedings, whether or not such proceedings relate to the Disputes that is the subject of the Conciliation proceedings:
 - a. Views expressed or suggestions made by the other party in respect of a possible settlement of the Disputes;
 - b. admissions made by the other party in the course of the Conciliator proceedings;
 - c. proposals made by the Conciliator;
 - d. The fact that the other Party had indicated his willingness to accept a proposal for settlement made by the Conciliator.
30. The Parties shall not present the Conciliator(s) as witness in any Alternative Dispute Resolution or Judicial proceedings in respect of a Disputes that is/was the subject of that particular Conciliation proceeding.
31. None of the Conciliators shall act as an arbitrator or as a representative or counsel of a Party in any arbitral or judicial proceeding in respect of a Disputes that is/was the subject of that particular Conciliation proceeding.
32. The Parties shall not initiate, during the Conciliation proceedings, any arbitral or judicial proceedings in respect of a Disputes that is the subject matter of the Conciliation proceedings except that a Party may initiate arbitral or judicial proceedings where, in his opinion, such proceedings are necessary for preserving his rights including for preventing expiry of period of limitation. Unless terminated as per the provisions of this Scheme, the Conciliation proceedings shall continue notwithstanding the commencement of the arbitral or judicial proceedings and the arbitral or judicial proceedings shall be primarily for the purpose of preserving rights including preventing expiry of period of limitation.
33. The official language of Conciliation proceedings under this Scheme shall be English unless the Parties agree to some other language.



**BHEL Conciliation Scheme, 2018
STATEMENT OF CLAIMS/COUNTER CLAIMS TO BE SUBMITTED TO THE IEC BY BOTH THE PARTIES**

1. Chronology of the Disputes
2. Brief of the Contract/MoU/Agreement/LOI/LOA
3. Brief history of the Disputes:
4. Issues:
5. Details of Clam(s)/Counter Claim(s):

SI. No.	Description of claim(s)/Counter Claim	Amount (in INR) Or currency applicable in the contract	Relevant contract clause

6. Basis/Ground of claim(s)/counter claim(s) (along with relevant clause of contract)

Note– The Statement of Claims/Counter Claims may ideally be restricted to maximum limit of 20 pages. Relevant documents may be compiled and submitted along with the statement of Claims/Counter Claims. The statement of Claims/Counter Claims is to be submitted to all IEC members and to the other party by post as well as by email.



FORMAT FOR NOTICE INVOKING CONCILIATION CLAUSE BY BHEL FOR REFERRING THE DISPUTES TO CONCILIATION THROUGH IEC

To,

M/s. (Stakeholder's name)

Subject: NOTICE FOR INVOCATION OF THE CONCILIATION CLAUSE OF THE CONTRACT BY BHEL

Ref: ContractNo/MoU/Agreement/LOI/LOA& date_____.

Dear Sir/Madam,

As you are aware, with reference to above referred Contract/MoU/Agreement/LOI/LOA, certain disputes have arisen, which, in-spite of several rounds of mutual discussions and various correspondences have remained unresolved. The brief particulars of our claims which arise out of the above- referred Contract/MoU/Agreement/LOI/LOA are reproduced hereunder:

Sl. No.	Claim description	Amount involved

As you are aware, there is a provision in the captioned Contract/MoU/Agreement/LOI/ LOA for referring disputes to conciliation.

In terms of Clause -----of Procedure i.e., Annexure ----- to the Contract/MoU/Agreement / LOI / LOA, we hereby seek your consent to refer the matter to Conciliation by Independent Experts Committee to be appointed by BHEL. You are invited to provide your consent in writing to proceed with conciliation into the above mentioned disputes within a period of 30 days from the date of this letter along with details of counter-claims, if any, which you might have with regard to the subject Contract/ MoU/ Agreement/ LOI/ LOA.

Please note that upon receipt of your consent in writing within 30 days of the date of receipt of this letter by you, BHEL shall appoint suitable person(s) from the BHEL Panel of Conciliators.

This letter is being issued without prejudice to our rights and contentions available under the contract and law.

Thanking you Yours faithfully
Representative of BHEL

Note: The Format may be suitably modified, as required, based on facts and circumstances of the case.



**FORMAT FOR NOTICE INVOKING CONCILIATION CLAUSE BY A STAKEHOLDER FOR REFERRING THE DISPUTES TO
CONCILIATION THROUGH IEC**

To,
BHEL (Head of the Unit/Division/Region/Business Group)

Subject: NOTICE FOR INVOCATION OF THE CONCILIATION CLAUSE OF THE CONTRACT BY A STAKEHOLDER

Ref: ContractNo/MoU/Agreement/LOI/LOA& date_____.

Dear Sir/Madam,

As you are aware, with reference to above referred Contract/MoU/Agreement/LOI/LOA, certain disputes have arisen, which, in spite of several rounds of mutual discussions and various correspondences have remained unresolved. The brief particulars of our claims which have arisen out of the above- referred Contract/MoU/Agreement/LOI/LOA are enumerated hereunder:

Sl. No.	Claim description	Amount involved

As you are aware, there is a provision in the captioned Contract/MoU/Agreement/LOI/ LOA for referring inter-se disputes of the Parties to conciliation.

We wish to refer the above-said disputes to Conciliation as per the said Clause of the captioned Contract/MoU/Agreement/LOI/ LOA. In terms of Clause -----of Procedure i.e., Annexure ----- to the Contract/MoU /Agreement / LOI / LOA, we hereby invite BHEL to provide its consent in writing to proceed with conciliation into the above mentioned disputes within a period of 30 days from the date of this letter along with details of counter-claims, if any, which it might have with regard to the subject Contract/ MoU/ Agreement/ LOI/ LOA and to appoint suitable person(s) as Conciliator(s) from the BHEL Panel of Conciliators.

This letter is being issued without prejudice to our rights and contentions available under the contract and law.

Thanking you
Yours faithfully

Representative of the Stakeholder

Note: The Format may be suitably modified, as required, based on facts and circumstances of the case.



FORMAT FOR INTIMATION TO THE STAKEHOLDER ABOUT APPOINTMENT OF CONCILIATOR/IEC

To,

M/s. (Stakeholder's name)

Subject: INTIMATION BY BHEL TO THE STAKEHOLDER AND CONCILIATOR(S) ABOUT APPOINTMENT OF CONCILIATOR/IEC

Ref: ContractNo/MoU/Agreement/LOI/LOA& date_____. Sir,

This is with reference to letter dated ----- regarding reference of the disputes arising in connection with the subject ContractNo

/MoU/Agreement/LOI/LOA to conciliation and appointment of Conciliator(s).

In pursuance of the said letter, the said disputes are assigned to conciliation and the following persons are nominated as Conciliator(s) for conciliating and assisting the Parties to amicably resolve the disputes in terms of the Arbitration & Conciliation Act, 1996 and the Procedure ---- to the subject Contract

...../MoU/Agreement/LOI/LOA, if possible. Name and contact details of Conciliator(s)

a)

b)

c)

You are requested to submit the Statement of Claims or Counter-Claims (strike off whichever is inapplicable) before the Conciliator(s) in Format 5 (enclosed herewith) as per the time limit as prescribed by the Conciliator(s).

Yours faithfully,

Representative of BHEL

CC: To Conciliator(s)... for Kind Information please. Encl: As above

Note: The Format may be suitably modified, as required, based on facts and circumstances of the case.



End of

PART – A

VOLUME – II



GENERAL CONDITIONS OF CONTRACT

**SOLAR BUSINESS DIVISION
BHARAT HEAVY ELECTRICALS LIMITED**
(A Govt. of India Undertaking)
PROF. CNR RAO CIRCLE, IISc POST
MALLESHWARAM
BANGALORE - 560012



CONTENTS

Chapter-1

1. General Instructions to Tenderers

1.1. Dispatch Instructions

1.2. Submission of Tenders

1.3. Language

1.4. Price Discrepancy

1.5. Evaluation of Bids

1.6. Data to be enclosed

1.7. Authorisation and Attestation

1.8. Earnest Money Deposit

1.9. Security Deposit

1.10. Return of Security Deposit

1.11. Bank Guarantee

1.12. Validity of offer

1.13. Execution of Contract Agreement

1.14. Rejection of Tender and other Conditions

1.15. BHEL Fraud Prevention Policy



2. Chapter-2

2.1. Definitions

2.2. Law Governing Contract and Court Jurisdiction

2.3. Issue of Notice

2.4. Use of land

2.5. Commencement of Work

2.6. Measurement of Work and Mode of Payment

2.7. Rights of BHEL

2.8. Responsibilities of Contractor in respect of Local Laws, Employment of Workers etc

2.9. Progress Monitoring, Monthly Review and Performance Evaluation

2.10. Time of Completion

2.11. Extension of Time for Completion

2.12. Over Run Compensation

2.13. Quantity Variation

2.14. Extra Works

2.15. Supplementary Items

2.16. Strikes & Lockout

2.17. Force Majeure

2.18. Arbitration and Reconciliation

2.19. Payments

2.20. Performance Guarantee for Workmanship

2.21. Closing of Contracts

2.22. Reverse Auction

2.23. Suspension of Business Dealings

2.24. Other Issues

CHAPTER -1

1. GENERAL INSTRUCTION TO TENDERERS

1.1. DESPATCH INSTRUCTION

i) *The General Conditions of Contract form part of the Tender specifications. All pages of the tender documents shall be duly signed, stamped and submitted along with the offer in token of complete acceptance thereof. The information furnished shall be complete by itself. The tenderer is required to furnish all the details and other documents as required in the following pages*

ii) *Tenderers are advised to study all the tender documents carefully. Any submission of tender by the tenderer shall be deemed to have been done after careful study and examination of the tender documents and with the full understanding of the implications thereof. Should the tenderers have any doubt about the meaning of any portion of the Tender Specification or find discrepancies or omissions in the drawings or the tender documents issued are incomplete or shall require clarification on any aspects, the scope of work etc., he shall contact the authority inviting the tender well in time (so as not to affect last date of submission) for clarification before the submission of the tender. Tenderer's request for clarifications shall be with reference to Sections and Clause numbers given in the tender documents. The tender specifications and terms and conditions shall be deemed to have been accepted by the tenderer in the offer. Pre requirements and conditions shall be liable for rejection.*

iii) *Integrity pact (IP): If NIT calls for Integrity Pact, the same shall be duly signed & stamped by the authorised signatory & submitted along with tender document.*

1.2. SUBMISSION OF TENDERS

1.2.1 *The tenderers must submit their tenders as per instructions in the NIT*

1.2.2 *BHEL takes no responsibility for delay, loss or non-receipt of tenders sent by post/courier. The tenders received after the specified time of their submission are treated as 'Late Tenders' and shall not be considered under any circumstances. Offers received by Fax/Email/Internet shall be considered as per terms of NIT.*

1.2.3 *Tenders shall be opened by authorised Officer of BHEL at his office at the time and date as specified in the NIT, in the presence of such of those tenderers or their authorised representatives who may be present*



1.2.4 Tenderers whose bids are found techno commercially qualified shall be informed the date and time of opening of the Price Bids and such Tenderers may depute their representatives to witness the opening of the price bids. BHEL's decision in this regard shall be final and binding.

1.2.5 Before submission of Offer, the tenderers are advised to inspect the site of work and the environments and be well acquainted with the actual working and other prevalent conditions, facilities available, position of material and labour, means of transport and access to Site, accommodation, etc. No claim will be entertained later on the grounds of lack of knowledge of any of these conditions.

1.3. LANGUAGE

1.3.1 The tenderer shall quote the rates in English language and international numerals. These rates shall be entered in figures as well as in words. For the purpose of the tenders, the metric system of units shall be used.

1.3.2 All entries in the tender shall either be typed or written legibly in ink. Erasing and overwriting is not permitted and may render such tenders liable for rejection. All cancellations and insertions shall be duly attested by the tenderer.

1.4 PRICE DISCREPANCY:

1.4.1 Conventional (Manual) Price Bid opening:

i) If, in the price structure quoted for the required goods/services/works, there is discrepancy between the unit price and the total price (which is obtained by multiplying the unit price by the quantity), the unit price shall prevail and the total price corrected accordingly, unless in the opinion of BHEL there is obvious misplacement of decimal point in the unit price, in which case the total price as quoted shall govern and the unit price corrected accordingly

ii) If there is an error in a total corresponding to the addition or subtraction of subtotals, the subtotals shall prevail and the total shall be corrected;

iii) If there is a discrepancy between words and figures, the amount in words shall prevail, unless the amount expressed in words is related to an arithmetic error, in which case the amount in figures shall prevail subject of (i) and (ii) above.

iv) If there is such discrepancy in an offer, the same shall be conveyed to the bidder with target date up to which the bidder has to send his acceptance on the above lines and if the bidder does not agree to the decision of BHEL, the bid is liable to be ignored.

v) In case of lump sum price, if there is any difference between the amount in figures and in words, the amount quoted by the bidder in words shall be taken as correct.



vi) *In case of omission in quoting any rate for one or more items, the evaluation shall be done considering the highest quoted rate obtained against the respective items by other tenderers for the subject tender. If the tenderer becomes L-1, the notional rates for the omission items shall be the lowest rates quoted for the respective items by the other tenderers against the respective omission items for the subject job and the 'Total quoted price (loaded for omissions)' shall be arrived at. However, the overall price remaining the same as quoted originally, the rates for all the items in the 'Total quoted price (loaded for omissions)' shall be reduced item wise in proportion to the ratio of 'Original' total price and the 'Total quoted price (loaded for omissions)'.*

1.4.2 Reverse Auction: In case of Reverse Auction, the successful bidder shall undertake to execute the work as per overall price offered by him during the Reverse Auction process. In case of omission of rates, the procedure shall be as per 'Guidelines for Reverse Auction' enclosed.

i) Offers from tenderers who are under suspension (banned) by any Unit/Region/Division of BHEL shall not be considered. ii) Offers from tenderers who do not comply with the latest guidelines of Ministry/ Commissions of Govt of India shall not be considered.

1.5. EVALUATION OF BIDS

i) Technical Bids submitted by the tenderer will be opened first and evaluated for fulfilling the Pre-Qualification criteria and other conditions in NIT/Tender documents, based on documentary evidences submitted along with the offer, BHEL reserves the right to ask for proofs/documents, clarification in relation to Technical/commercial data during tender evaluation

ii) Price Bids of shortlisted bidders shall only be opened either through the conventional price bid opening or through electronic Reverse Auction, at the discretion of BHEL

iii) Price Bids of unqualified bidders shall not be opened. Reasons for rejection shall be intimated to the vendor before the opening of Price bid.

1.6. DATA TO BE ENCLOSED

The following information in full shall be furnished by the tenderer. Non-submission of this information may lead to rejection of the offer.

i) INCOME TAX PERMANENT ACCOUNT NUMBER, GSTIN, SAC, HSN Certified copies of PAN, GSTIN shall be furnished along with tender. The names, addresses and contact information of the Directors/Partners shall be furnished along with the offer.

ii) An attested copy of the Power of Attorney, in case the tender is signed by an individual other than the sole proprietor.



iii) IN CASE OF INDIVIDUAL TENDERER:

His / her full name, address, PAN, GSTIN and place & nature of business to be furnished. iv)

IN CASE OF PARTNERSHIP FIRM

The names of all the partners and their addresses, a copy of the partnership deed/instrument of partnership shall be enclosed.

v) IN CASE OF COMPANIES:

Date and place of registration including date of commencement certificate in case of Public Companies (certified copies of Memorandum and articles of Association are also to be furnished). Nature of business carried on by the Company and the provisions of the Memorandum relating thereof.

1.7. AUTHORISATION AND ATTESTATION

Tenders shall be signed by a person duly authorised/empowered to do so. An attested copy of the Power of Attorney, in case the tender is signed by an individual other than the sole proprietor shall be submitted along with the tenders

1.8. EARNEST MONEY DEPOSIT

1.8.1 Every tender must be accompanied by the prescribed amount of Earnest Money Deposit (EMD) in the manner described herein.

The EMD may be accepted only in the following forms:

- (i) Electronic Fund Transfer credited in BHEL account (before tender opening)*
- (ii) Banker's cheque/ Pay order/ Demand draft, in favour of BHEL (along with offer) In case total EMD amount is more than Rs 20 Lakh, the amount in excess of Rs 20 lakh maybe accepted in the form of Bank Guarantee from scheduled bank. The Bank Guarantee in such cases shall be valid for at-least six months.*
- (iii) Through SBI collect (before tender opening)*
- (iv) No other form of EMD remittance shall be acceptable to BHEL*

1.8.2 EMD by the bidder will be forfeited as per Tender Documents if

- i) After opening the tender and within the offer validity period, the tenderer revokes his/her tender or makes any modification in his tender which is not acceptable to BHEL.*
- ii) The Contractor fails to deposit the required Security deposit or commence the work within the period as per LOI/ Contract.*
- iii) EMD by the tenderer shall be withheld in case any action on the tenderer is envisaged in derailing the tender process by unlawful means.*

1.8.3 EMD shall not carry any interest.



1.8.4 In the case of unsuccessful bidders, the Earnest Money will be refunded to them within a reasonable time after acceptance of award by successful tenderer.

1.8.5 EMD of successful tenderer will be converted as part of Security Deposit

1.9. SECURITY DEPOSIT

The total amount of Security Deposit will be 5% of the contract value (including all applicable taxes) EMD of the successful tenderer shall be converted and adjusted towards the required amount of Security Deposit.

1.9.1 Modes of Security deposit:

The balance amount to make up the required Security Deposit of 5% of the contract value may be accepted in the following forms:

i) Cash (as permissible under the extant Income Tax Act) ii) Local cheques of Scheduled Banks (subject to realization)/ Pay Order/ Demand Draft/ Electronic Fund Transfer in favour of BHEL

iii) Bank Guarantee from Scheduled Banks/ Public Financial Institutions as defined in the Companies Act. The Bank Guarantee format should have the approval of BHEL iv) Fixed Deposit Receipt issued by Scheduled Banks/ Public Financial Institutions as defined in the Companies Act (FDR should be in the name of the Contractor, a/c BHEL)

v) Securities available from Indian Post offices such as National Savings Certificates, Kisan Vikas Patras etc. (held in the name of Contractor furnishing the security and duly endorsed/ hypothecated/ pledged, as applicable, in favour of BHEL) (Note: BHEL will not be liable or responsible in any manner for the collection of interest or renewal of the documents or in any other matter connected therewith) vi) 50% of the required Security Deposit, including the EMD, should be paid before start of the work. Balance of the Security Deposit can be collected by deducting 10% of the gross amount progressively from each of the running bills of the Contractor till the total amount of the required Security Deposit is collected. If the value of work done at any time exceeds the contract value, the amount of Security Deposit shall be correspondingly enhanced and the additional Security Deposit shall be immediately deposited by the Contractor or recovered from payment/s due to the Contractor. Security Deposit shall be released to the Contractor upon fulfilment of contractual obligations as per terms of the contract.

1.9.2 The Security Deposit shall not carry any interest.

1.9.3 The validity of Bank Guarantees towards Security Deposit shall be initially up to the completion period as stipulated in the Letter of Intent/Award (plus maintenance period if applicable), and 03 months claim period. The same shall be kept valid by proper renewal till the acceptance of Final Bills of the Contractor, by BHEL

1.9.4 BHEL reserves the right of forfeiture of Security Deposit in addition to other claims and penalties in the event of the Contractor's failure to fulfil any of the contractual obligations or



in the event of termination of contract as per terms and conditions of contract. BHEL reserves the right to set off the Security Deposit against any claims of other contracts with BHEL.

1.10. REFUND OF SECURITY DEPOSIT

50% of the security deposit may be refunded on completion of the work after payment of the final bill and the balance 50% of the security deposit is refunded only after the expiry of the maintenance period from date of completion of work as stipulated in the contract concerned.

1.10.1 DEFECTS LIABILITY PERIOD:

The contractor shall be responsible to make good and remedy at his own expenses within such period as may be stipulated by the Engineer-in-charge, any defect which may develop or may be noticed before the expiry of the maintenance period of six months or as stipulated in NIT hereto from the certified date of completion and intimation of which has been sent to the contractor within seven days of the expiry of the said period by a letter sent by hand delivery or by registered post or Email. If contractor fails to attend to the above, defect will be rectified at contractor's risk & cost and same will be deducted from the security deposit/payable amounts available with BHEL.

1.11. BANK GUARANTEES

Where ever Bank Guarantees are to be furnished/submitted by the contractor, the following shall be complied with

i) Bank Guarantees shall be from Scheduled Banks / Public Financial Institutions as defined in the Companies Act. ii) The Bank Guarantees shall be as per prescribed BHEL formats.

iii) It is the responsibility of the bidder to get the Bank Guarantees revalidated/extended for the required period (subject to a minimum period of six months), as per the advice of BHEL. BHEL shall not be liable for issue of any reminders regarding expiry of the Bank Guarantees.

iv) In case extension/further extensions of any Bank Guarantees are not required, the bidders shall ensure that the same is explicitly endorsed by BHEL

v) In case the Bank Guarantees are not extended before the expiry date, BHEL reserves the right to invoke the same by informing the concerned Bank in writing, without any advance notice/communication to the concerned bidder.

vi) Bidders to note that any corrections to Bank Guarantees shall be done by the issuing Bank, only through an amendment in an appropriate non judicial stamp paper.

vii) The Original Bank Guarantee shall be sent directly by the Bank to BHEL under Registered Post (Acknowledgement Due).



1.12. VALIDITY OF OFFER

The rates in the Tender shall be kept open for acceptance for a minimum period of Ninety (90) DAYS from latest due date of offer submission (including extension, if any). In case BHEL calls for negotiations, such negotiations shall not amount to cancellation or withdrawal of the original offer which shall be binding on the tenderers.

1.13 EXECUTION OF CONTRACT AGREEMENT

The successful tenderer's responsibility under this contract commences from the date of issue of the Letter of Intent by BHEL. The Tenderer shall submit an unqualified acceptance to the Letter of Intent/Award within the period stipulated therein.

The successful tenderer shall be required to execute an agreement in the prescribed form, with BHEL, within fifteen days (15 days) after the acceptance of the Letter of Intent/Award, and in any case before releasing the first running bill. The contract agreement shall be signed by a person duly authorized/empowered by the tenderer. The expenses for preparation of agreement document shall be borne by Tenderer.

1.14. REJECTION OF TENDER AND OTHER CONDITIONS

1.14.1 The acceptance of tender will rest with BHEL which does not bind itself to accept the lowest tender or any tender and reserves to itself full rights for the following without assigning any reasons whatsoever: -

- a. To reject any or all of the tenders.*
- b. To split up the work amongst two or more tenderers as per NIT*
- c. To award the work in part if specified in NIT*
- d. In case of either of the contingencies stated in (b) and (c) above, the time for completion as stipulated in the tender shall be applicable.*

1.14.2 Conditional tenders, unsolicited tenders, tenders which are incomplete or not in the form specified or defective or have been materially altered or not in accordance with the tender conditions, specifications etc., are liable to be rejected.

1.14.3 Tenders are liable to be rejected in case of unsatisfactory performance of the tenderer with BHEL, or tenderer under suspension (hold/banning /delisted) by any unit / region / division of BHEL or tenderers who do not comply with the latest guidelines of Ministry/Commissions of Govt of India. BHEL reserves the right to reject a bidder in case it is observed that they are overloaded and may not be in a position to execute this job. The decision of BHEL will be final in this regard.



1.14.4 If a tenderer who is a proprietor expires after the submission of his tender or after the acceptance of his tender, BHEL may at their discretion, cancel such tender. If a partner of a firm expires after the submission of tender or after the acceptance of the tender, BHEL may then cancel such tender at their discretion, unless the firm retains its character.

1.14.5 BHEL will not be bound by any Power of Attorney granted by changes in the composition of the firm made subsequent to the execution of the contract. They may, however, recognize such power of Attorney and changes after obtaining proper legal advice, the cost of which will be chargeable to the contractor concerned.

1.14.6 If the tenderer deliberately gives wrong information in his tender, BHEL reserves the right to reject such tender at any stage or to cancel the contract if awarded and forfeit the Earnest Money/Security Deposit/any other money due.

1.14.7 Canvassing in any form in connection with the tenders submitted by the Tenderer shall make his offer liable to rejection.

1.14.8 In case the Proprietor, Partner or Director of the Company/Firm submitting the Tender, has any relative or relation employed in BHEL, the authority inviting the Tender shall be informed, along with the Offer. Failing to do so, BHEL may, at its sole discretion, reject the tender or cancel the contract and forfeit the Earnest Money/Security Deposit.

1.14.9 The successful tenderer should not sub-contract part or complete work detailed in the tender specification undertaken by him without written permission of BHEL's Construction Manager/Site Incharge. The tenderer is solely responsible to BHEL for the work awarded to him.

1.14.10 The Tender submitted by a techno commercially qualified tenderer shall become the property of BHEL who shall be under no obligation to return the same to the bidder. However unopened price bids and late tenders shall be returned to the bidders after finalization of contract.

1.14.11 Unsolicited discount received after the due date and time of Bid Submission shall not be considered for evaluation. However, if the party who has submitted the unsolicited discount/rebate becomes the L-I party, then the awarded price i.e contract value shall be worked out after considering the discount so offered.

1.14.12 BHEL shall not be liable for any expenses incurred by the bidder in the preparation of the tender irrespective of whether the tender is accepted or not.



1.15 BHEL Fraud Prevention Policy:

The bidder along with its associate/ collaborators/sub-contractors/ Sub-Vendors/ Consultants/service providers shall strictly adhere to BHEL Fraud Prevention Policy displayed on BHEL website <http://www.bhel.com> and shall immediately bring to the notice of BHEL Management about any fraud or suspected fraud as soon as it comes to their notice. Fraud prevention policy and list of Nodal officers shall be hosted on BHEL website, vendor portals of Units/Regions Internet.

CHAPTER-2

2.1 DEFINITION: The following terms shall have the meaning hereby assigned to them except where the context otherwise requires

- i) BHEL shall mean Bharat Heavy Electricals Limited, a company registered under Companies Act 1956, with its Registered Office at BHEL HOUSE, SIRI FORT, NEW DELHI – 110 049, or its Authorised Officers or its Site Engineers or other employees authorised to deal with any matters with which these persons are concerned on its behalf.*
- ii) “EXECUTIVE DIRECTOR” or ‘GROUP GENERAL MANAGER’ or “GENERAL MANAGER (Incharge)” or “GENERAL MANAGER” shall mean the Officer in SOLAR BUSINESS DIVISION, Prof. CNR Rao Circle, IISc Post, Malleshwaram, Bangalore - 560012*
- iii) “COMPETENT AUTHORITY” shall mean Executive Director or Group General Manager or General Manager (In-charge) or General Manager or BHEL Officers who are empowered to act on behalf of the Executive Director or General Manager (In-charge) or General Manager of BHEL.*
- iv) “ENGINEER” or “ENGINEER IN CHARGE” shall mean an Officer of BHEL as may be duly appointed and authorized by BHEL to act as “Engineer” on his behalf for the purpose of the Contract, to perform the duty set forth in this General Conditions of Contract and other Contract documents. The term also includes ‘CONSTRUCTION MANAGER’ or ‘SITE INCHARGE’ as well as Officers*
- v) “SITE” shall mean the places or place at which the plants/equipment are to be erected and services are to be performed as per the specification of this Tender.*
- vi) “CLIENT OF BHEL” or “CUSTOMER” shall mean the project authorities with whom BHEL has entered into a contract for supply of equipment or provision of services.*



- vii) *“CONTRACTOR” shall mean the successful Bidder/Tenderer who is awarded the Contract and shall include the Contractor’s successors, heirs, executors, administrators and permitted assigns.*
- viii) *“CONTRACT” or “CONTRACT DOCUMENT” shall mean and include the Work Order, Contract Agreement, the accepted appendices of Rates, Schedules, Quantities if any, General Conditions of Contract, Special Conditions of Contract, Instructions to the Tenderers, Drawings, Technical Specifications, the Special Specifications if any, the Tender documents, subsequent amendments mutually agreed upon and the Letter of Intent/Acceptance issued by BHEL. Any conditions or terms stipulated by the contractor in the tender documents or subsequent letters shall not form part of the contract unless, specifically accepted in writing by BHEL in the Letter of Intent/Award and incorporated in the agreement.*
- ix) *“GENERAL CONDITIONS OF CONTRACT” shall mean the ‘Instructions to Tenderers’ and ‘General Conditions of Contract’ pertaining to the work for which above tenders have been called for.*
- x) *“TENDER SPECIFICATION” or “TENDER” or “TENDER DOCUMENTS” shall mean General Conditions, Common Conditions, Special Conditions, Price Bid, Rate Schedule, Technical Specifications, Appendices, Annexures, Corrigendum’s, Amendments, Forms, procedures, Site information, etc and drawings/documents pertaining to the work for which the tenderers are required to submit their offers. Individual specification number will be assigned to each Tender Specification.*
- xi) *“LETTER OF INTENT” shall mean the intimation by a Post/Fax/email to the tenderer that the tender has been accepted in accordance with provisions contained in the letter. The responsibility of the contractor commences from the date of issue of this letter and all terms and conditions of the contract are applicable from this date.*
- xii) *“COMPLETION TIME” shall mean the period by ‘date/month’ specified in the ‘Letter of Intent/Award’ or date mutually agreed upon for handing over of the intended scope of work, the erected equipment/plant which are found acceptable by the Engineer, being of required standard and conforming to the specifications of the Contract.*
- xiii) *“PLANT” shall mean and connote the entire assembly of the plant and equipment’s covered by the contract.*
- xiv) *“EQUIPMENT” shall mean equipment, machineries, materials, structural, electrical and other components of the plant covered by the contract.*
- xv) *“TESTS” shall mean and include such test or tests to be carried out on the part of the contractor as are prescribed in the contract or considered necessary by BHEL, in order to ascertain the quality, workmanship, performance and efficiency of the contractor or part thereof.*



- xvi) *“APPROVED”, “DIRECTED” or “INSTRUCTED” shall mean approved, directed or instructed by BHEL.*
- xvii) *“WORK or CONTRACT WORK” shall mean and include supply of all categories of labour, specified consumables, tools and tackles and Plants required for complete and satisfactory site transportation, handling, stacking, storing, erecting, testing and commissioning of the equipment’s to the entire satisfaction of BHEL.*
- xviii) *“SINGULAR AND PLURALS ETC” words carrying singular number shall also include plural and vice versa, where the context so requires. Words imparting the masculine Gender shall be taken to include the feminine Gender and words imparting persons shall include any Company or Associations or Body of Individuals, whether incorporated or not.*
- xix) *“HEADING” – The heading in these General Conditions are solely for the purpose of facilitating reference and shall not be deemed to be part thereof or be taken as instructions thereof or of the contract.*
- xx) *“MONTH” shall mean calendar month unless otherwise specified in the Tender.*
- xxi) *Day’ or ‘Days’ unless herein otherwise expressly defined shall mean calendar day or days of twenty-four (24) hours each. A week shall mean continuous period of seven (7) days.*
- xxii) *“COMMISSIONING” shall mean the synchronization testing and achieving functional operation of the Equipment with associated system after all initial adjustments, trials, cleaning, re-assembly required at site if any, have been completed and Equipment with associated system is ready for taking into service.*
- xxiii) *“WRITING” shall include any manuscript type written or hand written or printed statement or electronically transmitted messages, under the signature or seal or transmittal of BHEL.*
- xxiv) *“TEMPORARY WORK” shall mean all temporary works for every kind required in or for the execution, completion, maintenance of the work.*
- xxv) *‘CONTRACT PRICE’ or ‘CONTRACT VALUE’ shall mean the sum including applicable taxes mentioned in the LOI/LOA/Contract Agreement subject to such additions thereto or deductions there from as may be made under provisions hereinafter contained*
- xxvi) *“COMMENCEMENT DATE” or “START DATE” shall mean the commencement/start of work at Site as per terms defined in the Tender*
- xxvii) *“SHORT CLOSING” or “FORE CLOSING” of Contract shall mean the premature closing of Contract, for reasons not attributable to the contractor and mutually agreed between BHEL and the contractor*



xxviii) *“TERMINATION” of Contract shall mean the pre mature closing of contract due to reasons as mentioned in the contract*

2.2 LAW GOVERNING THE CONTRACT AND COURT JURISDICTION

The contract shall be governed by the Law for the time being in force in the Republic of India. The Civil Court having original Civil Jurisdiction at Bengaluru, shall alone have exclusive jurisdiction in regard to all claims in respect of the Contract. No other Civil Court shall have jurisdiction in case of any dispute, under this contract

2.3 ISSUE OF NOTICE

2.3.1 Service of notice on contractor: Any notice to be given to the Contractor under the terms of the contract shall be served by sending the same by Registered Post / Speed Post/ FAX / Email to or leaving the same at the Contractor’s last known address of the principal place of business (or in the event of the contractor being a company, to or at its Registered Office). In case of change of address, the notice shall be served at changed address as notified in writing by the Contractor to BHEL. Such posting or leaving of the notice shall be deemed to be good service of such notice and the time mentioned to the condition for doing any act after notice shall be reckoned from the date so mentioned in such notice.

2.3.2 Service of notice on BHEL Any notice to be given to BHEL in-charge under the terms of the Contract shall be served by sending the same by post or Email or leaving the same at BHEL address or changed address as notified in writing by BHEL to the Contractor.

2.4 USE OF LAND

No land belonging to BHEL or their Customer under temporary possession of BHEL shall be occupied by the contractor without written permission of BHEL.

2.4.1 STORES AND MATERIALS:

The contractor shall, at his own expense, supply all stores and materials required for the contract, other than those which may be provided by BHEL at the rates detailed therein subject to their availability at the place of issue indicated therein. All stores and materials to be supplied by the Contractor shall be of the best kind as described in the Specifications and the Contractor shall, if required by the Engineer –in- charge furnish him with proof to his satisfaction that the store and materials so comply with the specifications.

The contractor shall, at his own expense and without delay, supply samples of stores and materials proposed to be used in the execution of the work for the approval of the Engineer-in charge, who may reject all stores and materials not corresponding either in quality or character to the approved samples.

In the case of stores provided by BHEL, the Contractor shall bear the cost of loading, transporting to site, unloading, storing under cover as required, assembling & jointing the



several parts together as necessary and incorporating & fixing these stores & materials in the work, including all preparatory work of whatever description that may be required, and closing, preparing, loading and returning empty cases or containers to the place of issue without any extra charges.

Contractor is responsible for safe & secure storage of above material.

2.4.2 PATENT RIGHTS:

The contractor shall fully indemnify BHEL, or the agent, servant, or employee of BHEL, against any action, claim or proceeding relating to infringement or the use of any patent or design or any alleged patent or design rights, and shall pay any royalties which may be payable in respect of any article/ or part thereof included in the contract.

In the event of any claims being made or action brought against BHEL, or any agent, or servant or employee of BHEL., in respect of any of the matters aforesaid, the contractor shall not apply when such increment has taken place in complying with the specific directions issued by the BHEL but the contractor shall pay any royalties payable in respect of any such use.

2.4.3 WATER:

The contractor shall allow in his tender and provide at his cost all water required for the work or his employees on the work, together with all pipes and fittings or other means that may be necessary or required to ensure a proper and ample supply of water for all purpose connected with the work.

In the event of a provision existing in the Tender documents for supply of water on payment by BHEL, water will be supplied from the BHEL supply System, or other sources at any points fixed by the Site Engineer/ Engineer-in-charge on the site of work. The contractor shall make necessary arrangement for lifting, pumping, carrying or conveying the water as required at his own cost. The levy of water charges to be borne by the Contractor in such case shall be specifically mentioned in the Tender documents.

2.4.4 TEMPORARY WORKSHOPS, STORES ETC:

The Contractor shall, during the progress of the work provide, erect and maintain at his own expense all necessary temporary workshops, store, offices, toilets etc., required for the proper and efficient execution of the work. The planning, siting and erection of these building shall have the approval of the Engineer-in-charge and the Contractor shall at all times keep them in a clean and sanitized condition to the entire satisfaction of the Engineer-in-charge.



On completion of the work all such temporary buildings shall be cleared and the site restored to its original state in a clean and tidy condition to the entire satisfaction of the Engineer-incharge.

2.5 COMMENCEMENT OF WORK

2.5.1 Time is essence of contract and is specified in the tender document or in each individual work order.

2.5.2 The contractor shall commence the work within seven (07) days from LOI/work order or as intimated by BHEL and shall proceed with the same with due expedition without delay.

2.5.3 If the contractor fails to start the work within stipulated time as per LOI or as intimated by BHEL, then BHEL at its sole discretion will have the right to cancel the contract. The Earnest Money and/or Security Deposit with BHEL will stand forfeited without any further reference to him without prejudice to any and all of BHEL's other rights and remedies in this regard.

2.5.4 All the work shall be carried out under the direction and to the satisfaction of BHEL.

2.6 MEASUREMENT OF WORK AND MODE OF PAYMENT:

2.6.1 All payments due to the contractors shall be made by electronic mode only, unless otherwise found operationally difficult.

2.6.2 For progress running bill payments: - The Contractor shall present detailed measurement sheets in triplicate, duly indicating all relevant details based on technical documents and connected drawings for work done during the month/period under various categories in line with terms of payment as per contract. The basis of arriving at the quantities, weights shall be relevant documents and drawings released by BHEL. These measurement sheets shall be prepared jointly with BHEL Engineers and signed by both the parties.

2.6.3 These measurement sheets will be checked by BHEL Engineer and quantities and percentage eligible for payment under various groups shall be decided by BHEL Engineer. The abstract of quantities and percentage so arrived at based on the terms of payment shall be entered in Measurement Book and signed by both the parties.

2.6.4 Based on the above quantities, contractor shall prepare the bills in prescribed format and work out the financial value. These will be entered in Measurement Book and signed by both the parties. Payment shall be made by BHEL after effecting the recoveries due from the contractor.



2.6.5 All recoveries due from the contractor for the month/period shall be effected in full from the corresponding running bills unless specific approval from the competent authorities is obtained to the contrary.

2.6.6 Measurement shall be restricted to that portion of work for which it is required to ascertain the financial liability of BHEL under this contract.

2.6.7 The measurement shall be taken jointly by persons duly authorized on the part of BHEL and by the Contractor.

2.6.8 The Contractor shall bear the expenditure involved if any, in making the measurements and testing of materials to be used/used in the work. The contractor shall, without extra charges, provide all the assistance with appliances and other things necessary for measurement.

2.6.9 If at any time due to any reason whatsoever, it becomes necessary to re-measure the work done in full or in part, the expenses towards such re measurements shall be borne by the contractor unless such re measurements are warranted solely for reasons not attributable to contractor.

2.6.10 Passing of bills covered by such measurements does not amount to acceptance of the completion of the work measured. Any left out work has to be completed, if pointed out at a later date by BHEL.

2.6.11 Final measurement bill shall be prepared in the final bill format prescribed for the purpose based on the certificate issued by BHEL Engineer that entire works as stipulated in tender specification has been completed in all respects to the entire satisfaction of BHEL. Contractor shall give unqualified "No Claim" Certificate. All the tools and tackles loaned to him should be returned in satisfactory condition to BHEL. The abstract of final quantities and financial values shall also be entered in the Measurement Books and signed by both parties to the contract. The Final Bill shall be prepared and paid within a reasonable time after completion of work.

2.7 RIGHTS OF BHEL

BHEL reserves the following rights in respect of this contract during the original contract period or its extensions if any, as per the provisions of the contract, without entitling the contractor for any compensation.

2.7.1 To withdraw any portion of work and/or to restrict/alter quantum of work as indicated in the contract during the progress of work and get it done through other agencies to suit BHEL's commitment to its customer or in case BHEL decides to advance the date of completion due to other emergent reasons/ BHEL's obligation to its customer.



2.7.2 To terminate the contract or get any part of the work done through other agency or deploy BHEL's own/hired/otherwise arranged resources, at the risk and cost of the contractor after due notice of a period of two weeks by BHEL, in the event of: -

i) Contractor's continued poor progress

ii) Withdrawal from or abandonment of the work before completion of the work iii)

Contractor's inability to progress the work for completion as stipulated in the contract

iv) Poor quality of work

v) Corrupt act of Contractor

vi) Insolvency of the Contractor

vii) Persistent disregard to the instructions of BHEL

viii) Assignment, transfer, sub-letting of contract without BHEL's written permission

ix) Non fulfilment of any contractual obligations / non-compliance of statutory requirements

x) In the opinion of BHEL, the contractor is overloaded and is not in a position to execute the job as per required schedule

2.7.3 To meet the expenses including BHEL overheads of 35% & Liquidated damage/penalties arising out of "Risk & Cost" as explained above under Sl.No. 2.7.2. BHEL shall recover the amount from any money due from Contractor, from any money due to the Contractor including Security Deposit or by forfeiting any T&P or material of the contractor under this contract or any other contract of BHEL or by any other means or any combination thereof

2.7.4 To terminate the contract or to restrict the quantum of work and pay for the portion of work executed in case BHEL's contract with their customer are terminated for any reason, as per mutual agreement.

2.7.5 To effect recovery from any amounts due to the contractor under this or any other contract or in any other form, the moneys BHEL is statutorily forced to pay to anybody, due to contractor's failure to fulfil any of his obligations. BHEL shall levy overheads of 35% on all such payments.

2.7.6 While every endeavour will be made by BHEL to this end, they cannot guarantee uninterrupted work due to conditions beyond their control. The Contractor will not be normally entitled for any compensation/extra payment on this account unless otherwise specified elsewhere in the contract.



2.7.7 In case the execution of works comes to a complete halt or reaches a stage wherein worthwhile works cannot be executed and there is no possibility of commencement of work for a period of not less than two months, due to reasons not attributable to the contractor and other than Force Majeure conditions, BHEL may consider permitting the contractor to demobilize forthwith and re mobilize at an agreed future date. Cost of such demobilization/remobilization shall be mutually agreed. ORC (Over run Charges) in such cases shall not be applicable for the period between the period of demobilization and re mobilisation. The duration of contract/time extension shall accordingly get modified suitably. In case of any conflict, BHEL decision in this regard shall be final and binding on the contractor.

2.7.8 In the unforeseen event of inordinate delay in receipt of materials, drawings, fronts, etc, due to which inordinate discontinuity of work is anticipated, BHEL at its discretion may consider contractor's request to short close the contract, provided that the balance works are minor vis a vis the scope of work envisaged as per the contract. At the point of requesting for short closure, contractor shall establish that he has completed all works possible of completion and he is not able to proceed with the balance works due to constraints beyond his control. In such a case, the estimated value of the unexecuted portion of work as mutually agreed, shall however be reduced from the final contract value.

2.7.9 LIQUIDATED DAMAGES/PENALTY

COMPENSATION FOR DELAY:

If the contractor fails to maintain the required progress in terms of condition 2.10 or to complete the work and clear the site on or before the contracted or extended the period of completion, he shall, without prejudice to any other right or remedy of the BHEL on account of such breach, pay as agreed compensation an amount calculated as stipulated below

For unfinished anticipated value of work where finished portion is fit for use

Rate of compensation as follows:

- Completion period (as originally stipulated) not exceeding 6 months.@ 1 percent per week
- Completion period (as originally stipulated) Exceeding 6 months and not exceeding 2 years...@ 0.5 percent per week
- Completion period (as originally stipulated) exceeding 2 years..... @ 0.25 percent per week

Provided always that the total amount of compensation for delay to be paid under condition shall not exceed the under noted percentage of the anticipated contract value

- Completion period (as originally stipulated) not exceeding 6 months.@ 10 percent of anticipated value of work



- *Completion period (as originally stipulated) Exceeding 6 months and not exceeding 2 years...@ 7.5 percent of anticipated value of work*
- *Completion period (as originally stipulated) Exceeding 2 years.....@ 5 percent of anticipated value of work*

The amount of compensation may be adjusted or set off against any sum payable to the Contractor under this or any other contract with the BHEL.

2.7.10 POST TECHNICAL AUDIT OF WORK AND BILLS: *BHEL reserve the right to carry out a post-payment audit and technical examination of the work and final bill including all supporting vouchers, abstract etc., and to enforce recovery of any sums becoming due as a result thereof in the manner provided in the proceeding sub-paragraph's provided however that no such recovery shall be enforced after three years of passing the final bill*

2.8 RESPONSIBILITIES OF THE CONTRACTOR IN RESPECT OF LOCAL LAWS, EMPLOYMENT OF WORKERS ETC.

The following are the responsibilities of the contractor in respect of observance of local laws, employment of personnel, payment of taxes etc. The subcontractor shall fully indemnify BHEL against any claims of whatsoever nature arising due to the failure of the contractor in discharging any of his responsibilities hereunder:

2.8.1 The contractor at all times during the continuance of this contract shall, in all his dealings with local labour for the time being employed on or in connection with the work, have due regard to all local festivals and religious and other customs.

2.8.2 The contractor shall comply with all applicable State and Central Laws, Statutory Rules, Maternity act, Regulations etc. such as contract labour(R&A) Act 1970, Minimum wage Act 19748, Payment of wages Act 1936,ESI Act 1948, EPF Act 1952, Employees' compensation Act 1923, Provision of Companies Act 1948 & rules thereof, The interstate Migrant Workmen 1979, The Karnataka Factories Rules 1969, Payment of Bonus Act 1965, Payment of Gratuity Act 1972. Child labour Prohibition act 1986, Karnataka Minimum Wage Act , Prevention of sexual harassment at work place Act 2013, Guidelines/notification related to Safai Karamchari Act , Equal Remuneration Act 1976, The company's instructions as issued from time to time in regard to working hours, wages, leaves, holidays etc. for labour as may be enacted by the Government during the tenure of the Contract and having force or jurisdiction at Site. The Contractor shall also give to the local Governing Body, Police and other relevant Authorities all such notices as may be required by the Law.

The contractor shall produce the following registers and forms:

- *Form XIII- Register of work men employed by contractor(Rule 75)*
- *Form XIV- Employment Card issued by contractor(Rule 76)*
- *Form XVI- Muster Roll (Rule 78(1) (a)(i))*



- *Form XVII- Register of Wages (Rule 78(1) (a)(i))*
- *Form XVIII- Register of wages cum Muster Roll(in case of weekly payment)*
- *Form XIX- Wage slip (Rule 78(b))*
- *Form XX- Register of deduction for damages Or Loss Rule 78(1) (a)(ii))*
- *Form XXI- Register of files Rule 78(1) (a)(ii))*
- *Form XXII- Register of Advance Rule 78(1) (a)(ii)) x Form XXIII- Register of Overtime Rule 78(1) (a)(iii))*
- *Form XXIV- Return to be sent by the contractor to the Licensing officer (Rule 82(1))*

2.8.3 The contractor shall obtain independent License under the Contract Labour (Regulations and Abolition Act) as required from the concerned Authorities based on the certificate (Form-

V) issued by the Principal Employer/Customer

2.8.4 The contractor shall pay all taxes, fees, license charges, deposits, duties, tolls, royalties, commission or other charges which may be levied on account of his operations in executing the contract.

2.8.5 While BHEL would pay the inspection fees and Registration fees of Boiler & explosive/Electrical Inspectorate, all other arrangements for site visits periodically by the Inspectorate to site, Inspection certificate etc. will have to be made by contractor. However, BHEL will not make any payment to the Inspectorate in connection with contractor's Welders/Electricians qualification tests etc.

2.8.6 Contractor shall be responsible for provision of Health and Sanitary arrangements (more particularly described in Contract Labour Regulation & Abolition Act), Safety precautions etc. as may be required for safe and satisfactory execution of contract.

2.8.7 The contractor shall be responsible for proper accommodation including adequate medical facilities for personnel employed by him.

2.8.8 The contractor shall be responsible for the proper behavior and observance of all regulations by the staff employed by him.

2.8.9 The contractor shall ensure that no damage is caused to any person/property of other parties working at site. If any such damage is caused, it is responsibility of the contractor to make good the losses or compensate for the same.

2.8.10 All the properties/equipment/components of BHEL/their Client loaned with or without deposit to the contractor in connection with the contract shall remain properties of BHEL/their Client.

2.8.11 The contractor shall use such properties for the purpose of execution of this contract. All such properties/equipment/components shall be deemed to be in good condition when



received by the contractor unless he notifies within 48 hours to the contrary. The contractor shall return them in good condition as and when required by BHEL/their Client. In case of non-return, loss, damage, repairs etc, the cost thereof as may be fixed by BHEL Engineer will be recovered from the contractor

2.8.12 Any delay in completion of works/or non-achievement of periodical targets due to the reasons attributable to the contractor, the same may have to be compensated by the contractor either by increasing manpower and resources or by working extra hours and/or by working more than one shift. All these are to be carried out by the contractor at no extra cost.

2.8.13 The contractor shall arrange, coordinate his work in such a manner as to cause no hindrance to other agencies working in the same premises.

2.8.14 All safety rules and codes applied by the Client/BHEL at site shall be observed by the contractor without exception. The contractor shall be responsible for the safety of the equipment/material and works to be performed by him and shall maintain all light, fencing guards, slings etc. or other protection necessary for the purpose. Contractor shall also take such additional precautions as may be indicated from time to time by the Engineer with a view to prevent pilferage, accidents, fire hazards. Due precautions shall be taken against fire hazards and atmospheric conditions. Suitable number of Clerical staff, watch and ward, store keepers to take care of equipment/materials and construction tools and tackles shall be posted at site by the contractor till the completion of work under this contract. The contractor shall arrange for such safety devices as are necessary for such type of work and carry out the requisite site tests of handling equipment, lifting tools, tackles etc. as per prescribed standards and practices. Contractor has to ensure the implementation of Health, Safety and Environment (HSE) requirements as per directions given by BHEL/Customer. The contractor has to assist in HSE audit by BHEL/Customer and submit compliance Report. The contractor has to generate and submit record/reports as per HSE plan/activities as per instruction of BHEL/Customer. All tools, plant and equipment brought to the site shall become the property of BHEL and shall not be removed from the site without the prior written approval from BHEL. When the work is finally completed or the Contractor is determined for reasons other than the defaults of the contract, he shall forthwith remove from the site all tools, plants, equipment etc., (other than those as may have been provided by BHEL) and upon such removal, the same shall revert in, and become the property of the contractor.

2.8.15 The contractor will be directly responsible for payment of wages to his workmen on specified date of respective month declared as per applicable Labour Act. A pay roll sheet giving all the payments given to the workers and duly signed by the contractor's representative should be furnished to BHEL site for record purpose.

2.8.16 In case of any class of work for which there is no such specification as laid down in the contract, such work shall be carried out in accordance with the instructions and requirements of the Engineer.

2.8.17 Also, no idle charges will be admissible in the event of any stoppage caused in the work resulting in contractor's labour and Tools & Plants being rendered idle due to any reason at any time.

2.8.18 The contractor shall take all reasonable care to protect the materials and work till such time the plant/equipment has been taken over by BHEL or their Client whichever is earlier.

2.8.19 The contractor shall not stop the work or abandon the site for whatsoever reason of dispute, excepting force majeure conditions. All such problems/disputes shall be separately discussed and settled without affecting the progress of work. Such stoppage or abandonment shall be treated as breach of contract and dealt with accordingly

2.8.20 The contractor shall keep the area of work clean and shall remove the debris etc. while executing day-to-day work. Upon completion of work, the contractor shall remove from the vicinity of work, all scrap, packing materials, rubbish, unused and other materials and deposit them in places specified by the Engineer. The contractor will also demolish all the hutments, sheds, offices, etc. constructed and used by him and shall clean the debris. In the event of his failure to do so, the same will be arranged to be done by the Engineer and the expenses recovered from the contractor. If the work is executed in Factory premises, no hutment will be allowed.

2.8.21 The contractor shall execute the work in the most substantial and workman like manner in the stipulated time. Accuracy of work and timely execution shall be the essence of this contract. The contractor shall be responsible to ensure that the quality, assembly and workmanship conform to the dimensions and clearance given in the drawings and/ or as per the instructions of the Engineer.

2.8.22 The Contractor to note that some of BHEL's T&Ps/MMDs may not be insured. The Contractor will take necessary precautions and due care to protect the same while in his custody from any damage/ loss till the same is handed over back to BHEL. In case the damage / loss is due to carelessness/ negligence on the part of the contractor, the Contractor is liable to get them repair/ replaced immediately and in case of his failure to do so within a reasonable time, BHEL will reserve the right to recover the loss from the contractor.

2.8.23 The contractor shall provide all watchmen necessary, for the protection of the site, the work, the materials, the tools, plant, equipment and anything else lying on the site during the progress of the work. He shall solely be responsible for and shall take all reasonable and proper steps for protecting, securing, lighting and watching all places on or about the work and the site which may be dangerous to any person whom so ever.

2.8.24 **SITE DRAINAGE:** All water that may accumulate on the site during the process of the work, or in trenches and excavations shall be removed to the entire satisfaction of the Engineering-charge and at Contractors expense.



2.8.25 INSPECTION OF THE WORK: BHEL Officers concerned with the Contract shall have power at any time to inspect and examine any part of the work and the contractor shall give such facilities as may be required to given for such inspection and examination.

2.8.26 In case the contractor is required to undertake any work outside the scope of this contract, the rates payable shall be those mutually agreed upon if the item rates are not mentioned in existing contract

- i. For any item of wok required to be carried out after the contract has been awarded and which is not covered by Contractors Schedule but is covered by C.P.W.D. schedule of rates the rate payable for such a fresh item will be derived from updated C.P.W.D. schedule of rates by the method of proportion as follows:*
- ii. Rate as per estimated updated C.P.W.D DSR and loading tender excess (plus or minus) on pro-rata basis for nearest analogous items. For other items rate as per estimated C.P.W.D DSR and loading tender excess(plus or minus) iii.If rates are not available in C.P.W.D. DSR, deviated item rates will be derived from market rate with 15% profit and overheads.*

2.9 PROGRESS MONITORING, MONTHLY REVIEW AND PERFORMANCE EVALUATION

2.9.1 A detailed plan/programme for completion of the contractual scope of work as per the time schedule given in the contract shall be jointly agreed between BHEL and Contractor, before commencement of work. The above programme shall be supported by month wise deployment of resources viz Manpower, T&P, Consumables, etc. Progress will be reviewed periodically (Daily/Weekly/Monthly) vis a vis this jointly agreed programme. The Contractor shall submit periodical progress reports (Daily/Weekly/Monthly) and other reports/information including manpower, consumables, T&P mobilization etc as desired by BHEL.

2.9.2 Monthly progress review between BHEL and Contractor shall be based on the agreed programme as above, availability of inputs/fronts etc, and constraints if any, as per prescribed formats. Manpower, T&P and consumable reports as per prescribed formats shall be submitted by contractor every month. Release of RA Bills shall be contingent upon certification by BHEL Site Engineer of the availability of the above prescribed formats duly filled in and signed.

2.9.3 The burden of proof that the causes leading to any shortfall is not due to any reasons attributable to the contractor is on the contractor himself. The monthly progress review shall record shortfalls attributable to (i) Contractor, (ii) Force Majeure Conditions, and (iii) BHEL



2.10 TIME OF COMPLETION

2.10.1 Time is essence of the contract. The time schedule shall be as prescribed in the Contract. The time for completion shall be reckoned from the date of commencement of work at Site as certified by BHEL Engineers

2.10.2 The entire work shall be completed by the contractor within the time schedule or within such extended periods of time as may be allowed by BHEL under clause 2.11

2.11 EXTENSION OF TIME FOR COMPLETION

2.11.1 If the completion of work as detailed in the scope of work gets delayed beyond the contract period, the contractor shall request for an extension of the contract and BHEL at its discretion may extend the Contract.

2.11.2 Based on the monthly reviews jointly signed, the works balance at the end of original contract period less the backlog attributable to the contractor shall be quantified, and the number of months of 'Time extension' required for completion of the same shall be jointly worked out. Within this period of 'Time extension', the contractor is bound to complete the portion of backlog attributable to the contractor. Any further 'Time extension' or 'Time extensions' at the end of the previous extension shall be worked out similarly.

2.11.3 However if any 'Time extension' is granted to the contractor to facilitate continuation of work and completion of contract, due to backlog attributable to the contractor alone, then it shall be without prejudice to the rights of BHEL to impose penalty/LD for the delays attributable to the contractor, in addition to any other actions BHEL may wish to take at the risk and cost of contractor.

2.11.4 A joint programme shall be drawn for the balance amount of work to be completed during the period of 'Time Extension', along with matching resources (with weightages) to be deployed by the contractor as per specified format. Review of the programme and record of shortfall shall be done every month of the 'Time extension' period in the same manner as is done for the regular contract period.

2.11.5 During the period of 'Time extension', contractor shall maintain their resources as per mutually agreed program

2.11.6 At the end of total work completion as certified by BHEL Engineer, and upon analysis of the total delay, the portion of time extensions attributable to (i) Contractor, (ii) Force majeure conditions, and (iii) BHEL, shall be worked out and shall be considered to be exhausted in the same order. The total period of time extensions shall be the sum of (i), (ii) and (iii) above and shall be equal to period between the scheduled date of completion and the actual date of completion of contract. LD shall be imposed/levied for the portion of time extensions attributable to contractor and recoverable from the dues payable to the contractor.

2.12 OVERRUN COMPENSATION (THIS CLAUSE IS NOT APPLICABLE IN BHEL FACTORY & TOWNSHIP PREMISES)

2.12.1 Over Run Compensation (ORC) is payable by way of rate revisions for periods beyond original, contract period subject to the following terms and conditions.

2.12.2 Rates shall be increased by 10% for the first twelve months of one or more extensions beyond original contract period. For the next twelve months of further extensions if any, rates shall be increased as above by 10% over the previous twelve months, and similarly for each subsequent twelve months extension.

2.12.3 Should there be any 'Time extension' for reasons attributable only to the contractor, then the work shall be executed by the contractor at the rates applicable for the period the work was planned

2.12.4 Payment of ORC shall be regulated as follows:

i) Contractor is entitled to Over Run Compensation (ORC) only for the portion of backlog attributable to BHEL.

ii) 50% of the compensation is allocated for deployment of resources agreed as per the joint programme drawn vide 2.11.4. Payment shall however be based on the actual deployment of resources for the month as certified by BHEL, as per weightages assigned therein

iii) 50% of the compensation, is allocated for achieving of planned progress agreed as per the joint programme drawn vide 2.11.4. Payment shall be on pro rata basis for actual achieved quantities

iv) Total Over Run Compensation shall be limited to 10% of the executed contract value as certified in Final Bill. For this purpose, executed contract value excludes PVC, ORC, Supplementary/Additional Items and Extra Works done on Man-day rate basis

2.12.5 Contractor shall not be entitled for any Over Run Compensation (ORC) for the portion of backlog attributable to the contractor. Such works shall be executed at the rates applicable for the period the work was planned

2.13 QUANTITY VARIATION

2.13.1 The quoted rates shall remain firm irrespective of any variations in the individual quantities.

2.14 EXTRA WORKS

2.14.1 All rectifications/modifications, revamping, and reworks required for any reasons not attributable to the contractor, or needed due to any change in deviation from drawings and design of equipment, operation/maintenance requirements, mismatching, or due to damages



in transit, storage and erection/commissioning, and other allied works which are not very specifically indicated in the drawings, but are found essential for satisfactory completion of the work, will be considered as extra works.

2.14.2 Extra works arising on account of the contractor's fault, irrespective of time consumed in rectification of the damage/loss, will have to be carried out by the contractor free of cost. Under such circumstances, any material and consumable required for this purpose will also have to be arranged by the contractor at his cost.

2.14.3 All the extra work should be carried out by a separately identifiable gang, without affecting routine activities. Daily log sheets in the pro-forma prescribed by BHEL should be maintained and shall be signed by the contractor's representative and BHEL engineer. No claim for extra work will be considered/entertained in the absence of the said supporting documents i.e. daily log sheets. Signing of log sheets by BHEL engineer does not necessarily mean the acceptance of such works as extra works.

2.14.4 BHEL retains the right to award or not to award any of the major repair/rework/modification/rectification/fabrication works to the contractor, at their discretion without assigning any reason for the same

2.14.5 After eligibility of extra works is established and finally accepted by BHEL engineer/designer, payment will be released on competent authority's approval at the following rate.

MAN-HOUR RATE FOR ELIGIBLE EXTRA WORKS: Single composite average labour manhour rate, including overtime if any, supervision, use of tools and tackles and other site expenses and incidentals, consumables for carrying out any major rework/ repairs/ rectification/ modification/ fabrication as certified by site as may arise during the course of erection, testing, commissioning or extra works arising out of transit, storage and erection damages, payment , if found due will be as per applicable minimum wage act

2.14.6 The above composite labour man hour rate towards extra works shall remain firm and not subject to any variation during execution of the work. PVC will not be applicable for extra works. Rate revision, Over Run Charges/compensation etc will not be applicable due to extra works.

2.14.7 Extra Works for Civil Packages shall be regulated as follows

i) Rates for Extra Works arising due to (1) non availability of BOQ (Rate Schedule), OR (2) change in Specifications of materials/works (3) rectification/modification/dismantling & re-erecting etc due to no fault of Contractor, shall be in the order of the following:

a) Item rates are to be derived from similar nature of items in the BOQ (Rate Schedule) with applicable escalation derived from All India Consumer Price Index for Whole Sale Commodities.



b) *As per applicable updated CPWD-DSR (or latest edition) with applicable escalation derived, Notification issued by the office of CPWD for 'Cost Index' in that Region where the project is being executed,*

c) *Item rates are to be worked out on the basis of prevailing market rates mutually agreed between BHEL and Contractor, plus 15% towards Contractor's overheads and profit.*

ii) PVC and ORC will not applicable be for (i) above.

2.15 SUPPLEMENTARY ITEMS

2.15.1 For NON Civil Works

Supplementary items are items/works required for completion of entire work but not specified in the scope of work. Subject to certification of such items/works as supplementary items by BHEL Engineer, rates shall be derived on the basis of any one of the following on mutual agreement:

i) Based on percentage breakup/rates indicated for similar/nearby items

ii) In case (i) above does not exist, then BHEL/site may derive the percentage breakup/rates to suit the type of work

2.15.2 For Civil Works

i) Rates for Supplementary Works/Additional Works arising out due to additions/alterations in the original scope of works as per contract subject to certification of BHEL Engineer shall be worked out as under:

a) Item rates which are available in existing BOQ (Rate Schedule) shall be operated with applicable escalation derived from All India Consumer Price Index for Whole Sale Commodities

b) Items of works which are not available in existing BOQ shall be operated as an 'Extra Works' and rate shall be derived as per clause no 2.14

ii) Execution of Supplementary Works/Additional Works through the Contractor shall be at the sole discretion of BHEL, and shall be considered as part of executed contract value for the purpose of Quantity Variation as per clause 2.13

iii) BHEL Engineer's decision regarding fixing the rate as above is final and binding on the contractor. iv) PVC and ORC will not be applicable for (i) above.

2.16 STRIKES & LOCKOUT

2.16.1 The contractor will be fully responsible for all disputes and other issues connected with his labour/employee. In the event of the contractor's labour/employee resorting to strike or



the Contractor resorting to lockout and if the strike or lockout declared is not settled within a period of 15 days, BHEL shall have the right to get the work executed through any other agencies and the cost so incurred by BHEL along with Overhead charges of 35% shall be deducted from the Contractor's bills along with overhead of 35%

2.16.2 For all purposes whatsoever, the employees of the contractor shall not be deemed to be in the employment of BHEL

2.17 FORCE MAJEURE

The following shall amount to Force Majeure: -

2.17.1 Acts of God, act of any Government, War, Sabotage, Riots, Strike, Civil commotion, Police action, Revolution, Flood, Fire, Cyclones, Earth quake and Epidemic and other similar causes over which the contractor has no control.

2.17.2 If the contractor suffers delay in the due execution of the contractual obligation due to delays caused by force majeure as defined above, the agreed time of completion of the job covered by this contract or the obligations of the contractor shall be extended by a period of time equal to period of delay, provided that on the occurrence of any such contingency, the contractor immediately reports to BHEL in writing the causes of delay and the contractor shall not be eligible for any compensation.

2.18 ARBITRATION & RECONCILIATION

2.18.1 In case amicable settlement is not reached in the event of any dispute or difference arising out of the execution of the Contract or the respective rights and liabilities of the parties or in relation to interpretation of any provision by the Contractor in any manner touching upon the Contract, such dispute or difference shall (except as to any matters, the decision of which is specifically provided for therein) be referred to the sole arbitration of the arbitrator appointed by BHEL/In charge.

The award of the Arbitrator shall be binding upon the parties to the dispute Subject as aforesaid, the provisions of Arbitration and Reconciliation Act 1996 (India) or statutory modifications or reenactments thereof and the rules made there under and for the time being in force shall apply to the arbitration proceedings under this clause. The venue of the arbitration shall be the place from which the contract is issued or such other place as the Arbitrator at his discretion may determine

2.18.2 In case of Contract with Public Sector Enterprise (PSE) or a Government Department, the following shall be applicable:

In the event of any dispute or difference relating to the interpretation and application of the provisions of the Contract, such dispute or difference shall be referred to by either party to the arbitration of one of the arbitrators in the department of public enterprises. The award of the arbitrator shall be binding upon the parties to the dispute, provided, however, any party aggrieved by such award may make further reference for setting aside or revision of the award to the Law Secretary, Department of Legal Affairs, Ministry of Law and Justice, Government of India. Upon such reference the dispute shall be decided by the Law Secretary or the Special Secretary or Additional Secretary when so authorized by the Law Secretary, whose decision shall bind the parties hereto finally and conclusively.

2.18.3 The cost of arbitration shall be borne equally by the parties.

2.18.4 Work under the contract shall be continued during the arbitration proceedings

2.19 PAYMENTS

Payments to Contractors are made in any one of the following forms

2.19.1 Running Account Bills (RA Bills)

- i) These are for interim payments when the contracts are in progress. The bills for such interim payments are to be prepared by Contractor in prescribed formats (RA Bill forms).*
- ii) Payments shall be made according to the extent of work done as per measurements taken up to the end of the calendar month and in line with the terms of payments described in the Tender documents along with relevant statutory documents applicable for the work.*
- iii) Recoveries on account of electricity, water, statutory deductions, etc are made as per terms of contract*
- iv) Full rates for the work done shall be allowed only if the quantum of work has been done as per the specifications stipulated in the contract. If the work is not executed as per the stipulated specifications, BHEL may ask the contractor to re do the work according to the required specifications, without any extra cost. However, where this is not considered necessary 'OR' where the part work is done due to factors like non-availability of material to be supplied by BHEL 'OR' non availability of fronts 'OR' non availability of drawings, fraction payment against full rate, as is considered reasonable, may be allowed with due regard for the work remaining to be done. BHEL decision in this regard will be final and binding on the contractor.*



v) *In order to facilitate part payment, BHEL Site Engineer at his discretion may further split the contracted rates/percentages to suit site conditions, cash flow requirements according to the progress of work*

2.19.2 Final Bill

Final Bill' is used for final payment on closing of Running Account for works or for single payment after completion of works. 'Final Bill' shall be submitted as per prescribed format after completion of works as per scope and upon material reconciliation, along with the following.

i) *'No Claim Certificate' by contractor*

ii) *Clearance certificates where ever applicable viz Clearance Certificates from Customer, various Statutory Authorities like Labour department, PF Authorities, Commercial Tax Department, etc*

iii) *Indemnity bond as per prescribed format BHEL shall settle the final bills after deducting all liabilities of Contractor to BHEL*

2.20 PERFORMANCE GUARANTEE FOR WORKMANSHIP

2.20.1 Even though the work will be carried out under the supervision of BHEL Engineers the Contractor will be responsible for the quality of the workmanship and shall guarantee the work done for a period of as mentioned in the contract/NIT from the date of commencement of guarantee period as defined in Technical Conditions of Contract, for good workmanship and shall rectify free of cost all defects due to faulty erection detected during the guarantee period. In the event of the Contractor failing to repair the defective works within the time specified by the Engineer, BHEL may proceed to undertake the repairs of such defective works at the Contractor's risk and cost, without prejudice to any other rights and recover the same from the balance security deposit.

2.20.2 BHEL shall release the balance security deposit subject to the following

i) *Contractor has submitted 'Final Bill'*

ii) *Guarantee period as per contract has expired*

iii) *Contractor has furnished 'No Claim Certificate' in specified format*

iv) *BHEL Site Engineer/Construction Manager has furnished the 'No Demand Certificate' in specified format*



v) Contractor has carried out the works required to be carried out by him during the period of Guarantee and all expenses incurred by BHEL on carrying out such works is included for adjustment from the Guarantee money refundable.

2.21 CLOSING OF CONTRACTS

The Contract shall be considered completed and closed upon completion of all contractual obligations and settlement of Final Bill or completion of Guarantee period whichever is later. Upon closing of Contract, BHEL shall issue a completion certificate as per standard format, based on specific request of Contractor.

2.22 REVERSE AUCTION/PRICE BID OPENING:

- BHEL reserves the right to go for reverse auction at any point of time before opening of Price Bid.
- Bids with non-acceptance of reverse auction will be liable for rejection.
- Opening of Price Bid at discretion of BHEL.
- BHEL shall be at liberty to cancel the tender at any time, before ordering, without assigning any reason.

2.23 SUSPENSION OF BUSINESS DEALINGS

BHEL reserves the right to take action against Contractors who either fail to perform or Tenderers/Contractor who indulge in malpractices, by suspending business dealings with them in line with BHEL guidelines issued from time to time.

2.24 OTHER ISSUES

2.24.1 Value of Non judicial Stamp Paper for Bank Guarantees and for Contract Agreement shall be not less than Rs 200/- unless otherwise required under relevant statutes.

2.24.2 In case of any conflict between the General Conditions of Contract and Special Conditions of Contract, provisions contained in the Special Conditions of Contract shall prevail.

2.24.3 Unless otherwise specified in NIT, offers from consortium/JVs shall not be considered.

2.24.4 BHEL may not insist for signing of Contract Agreements in respect of low value and short time period contracts