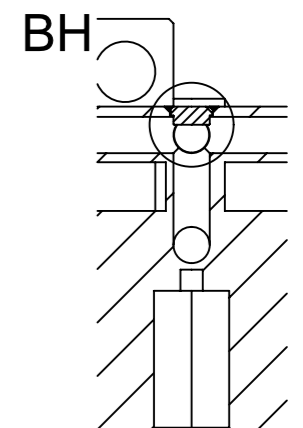
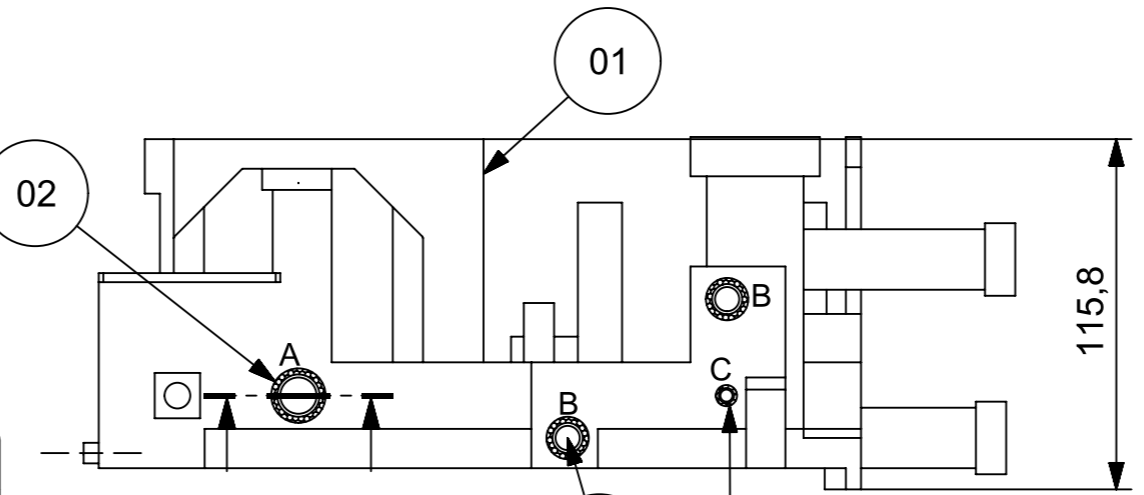
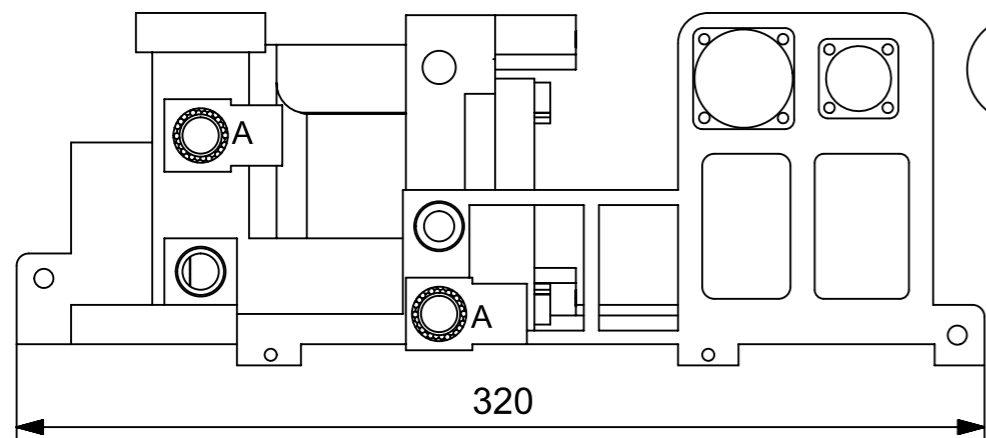


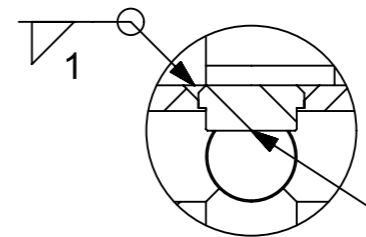
INVENTORY NO. SIGN. AND DATE COMP. FILE NAME

DRG. NO. 3-PM-45-01000



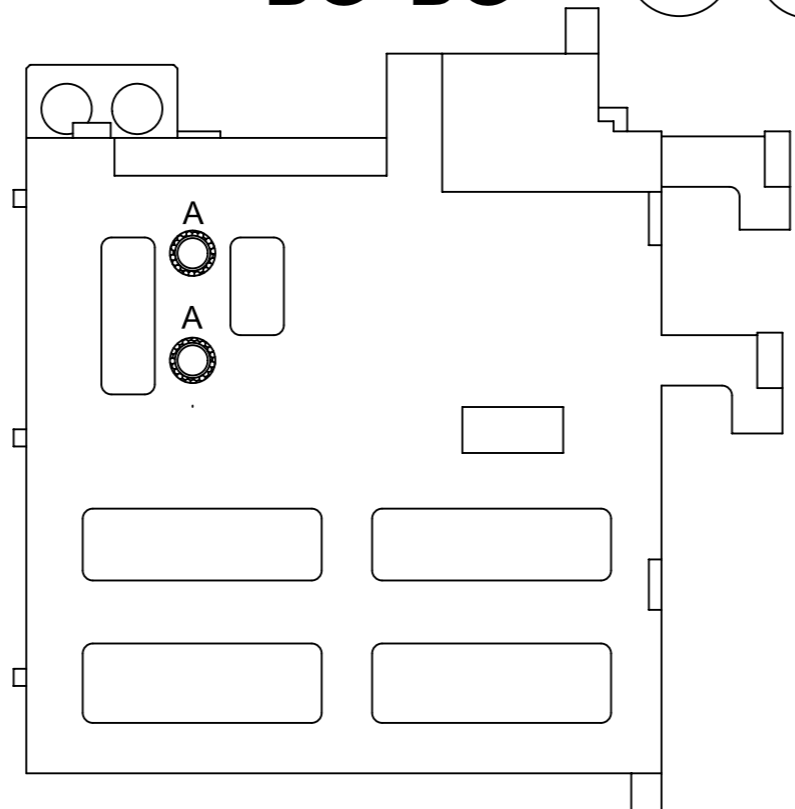
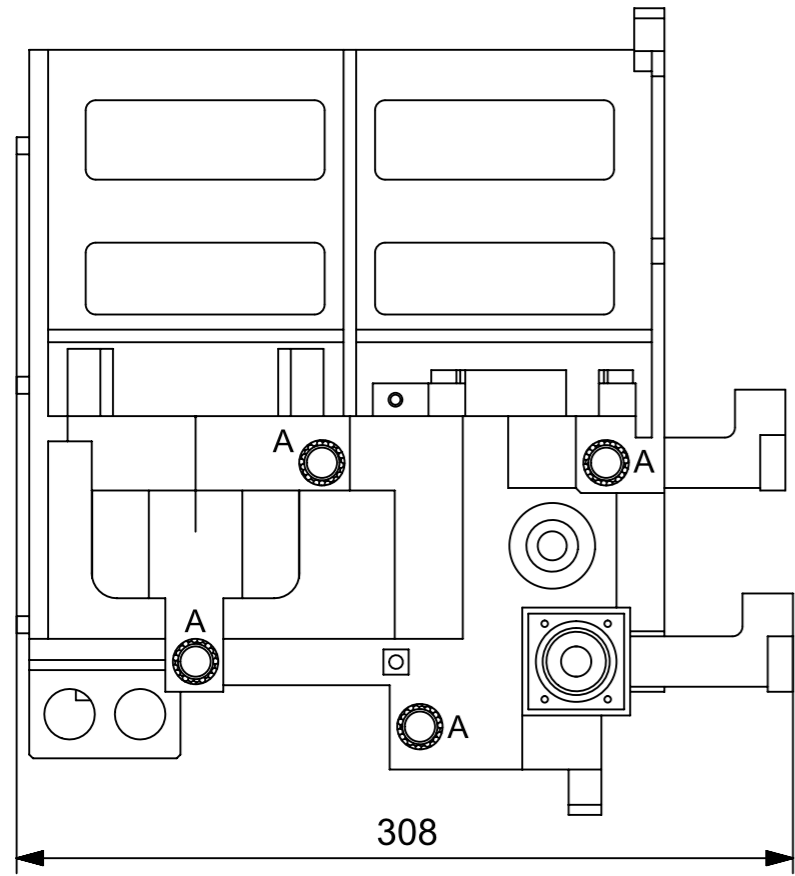
SECTION BG-BG

BG BG



DETAIL BH
SCALE 1:1

4-PM-45-01002



ITEM NO.	DESCRIPTION	DRAWING NO	VAR NO	RAW MATERIAL SIZE OR CASTING DRG. NO. OR FORGING DRG. NO. OR ADDITIONAL INFORMATION	MATERIAL CODE/MATERIAL	NET WEIGHT (KG)	QUANTITY
04	STEPPED PLUG 8MM	4-PM-45-01004	N.A	N.A	AA6061-T6 AMS-4027	0.001 3	
03	STEPPED PLUG 10MM	4-PM-45-01003	N.A	N.A	AA6061-T6 AMS-4027	0.001 2	
02	STEPPED PLUG 14MM	4-PM-45-01002	N.A	N.A	AA6061-T6 AMS-4027	0.002 8	
01	Monoblock	0-PM-45-01001	N.A	N.A	AA6061-T6 AMS-4027	2.92 01	

- NOTE:
1. STEPPED PLUG 14MM TO BE INSERTED AT HOLE LOCATION SHOWN AT 'A' AND FILLET WELDED.
 2. STEPPED PLUG 10MM TO BE INSERTED AT HOLE LOCATION SHOWN AT 'B' AND FILLET WELDED.
 3. STEPPED PLUG 8MM TO BE INSERTED AT HOLE LOCATION SHOWN AT 'C' AND FILLET WELDED.
 3. WELDING FILLER MATERIAL TO BE AWS/ER 4043.
 4. PRESSURE TESTING OF MONOBLOCK TO BE CARRIED OUT TO A PROOF PRESSURE OF 12.75 BAR FOR TWO MINUTES.

TYPE OF PRODUCT **PUMP MODULE FOR ADA**
 OR
 NAME OF CUSTOMER/PROJECT

BHARAT HEAVY ELECTRICALS LTD. CORPORATE R&D, HYDERABAD	DRN.	D PAVITRAN	SIGN.	DATE	NO.OF VAR.
	GHD.	G R RAO		02-08-2022	NA
	APPD.	G R RAO		02-08-2022	

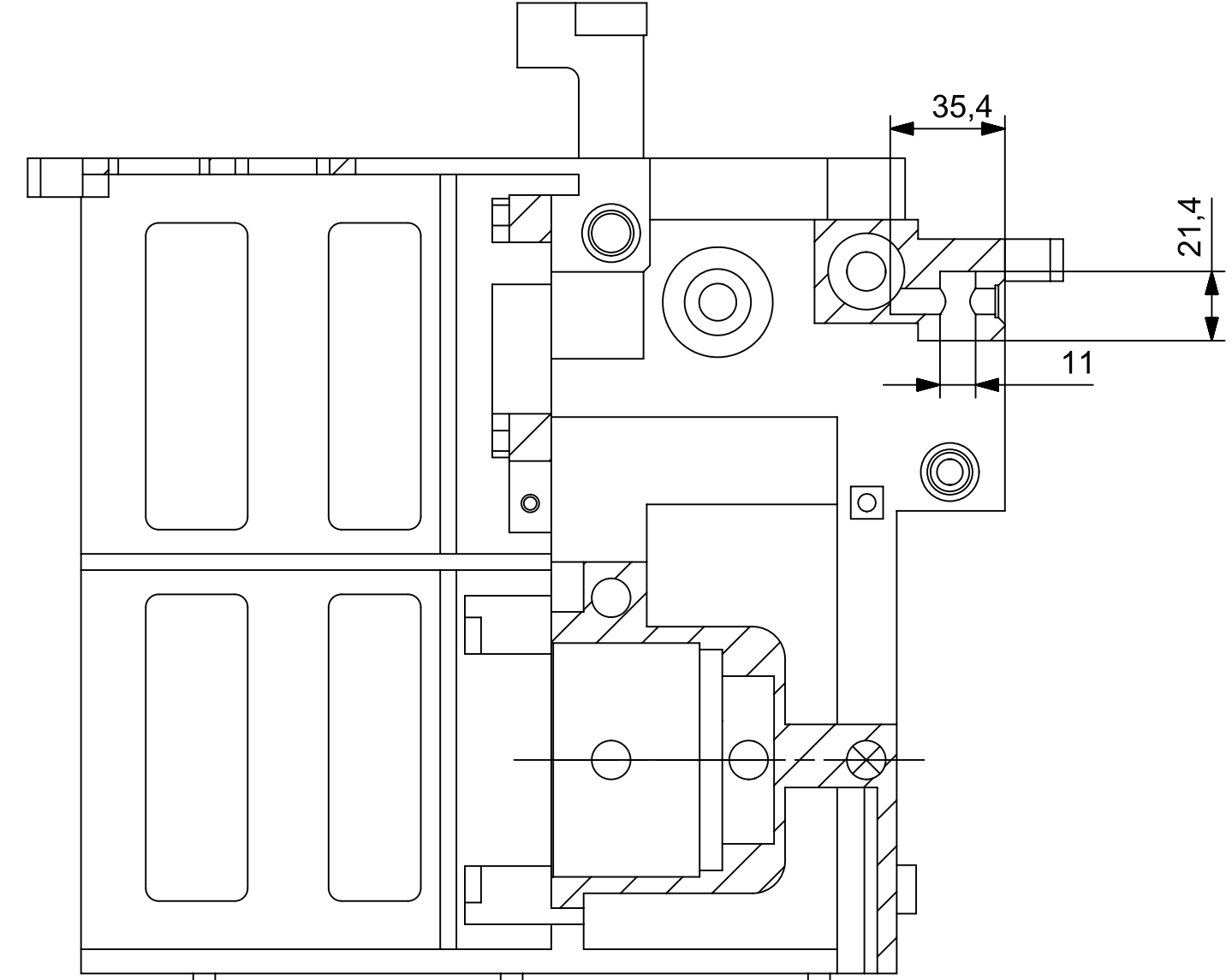
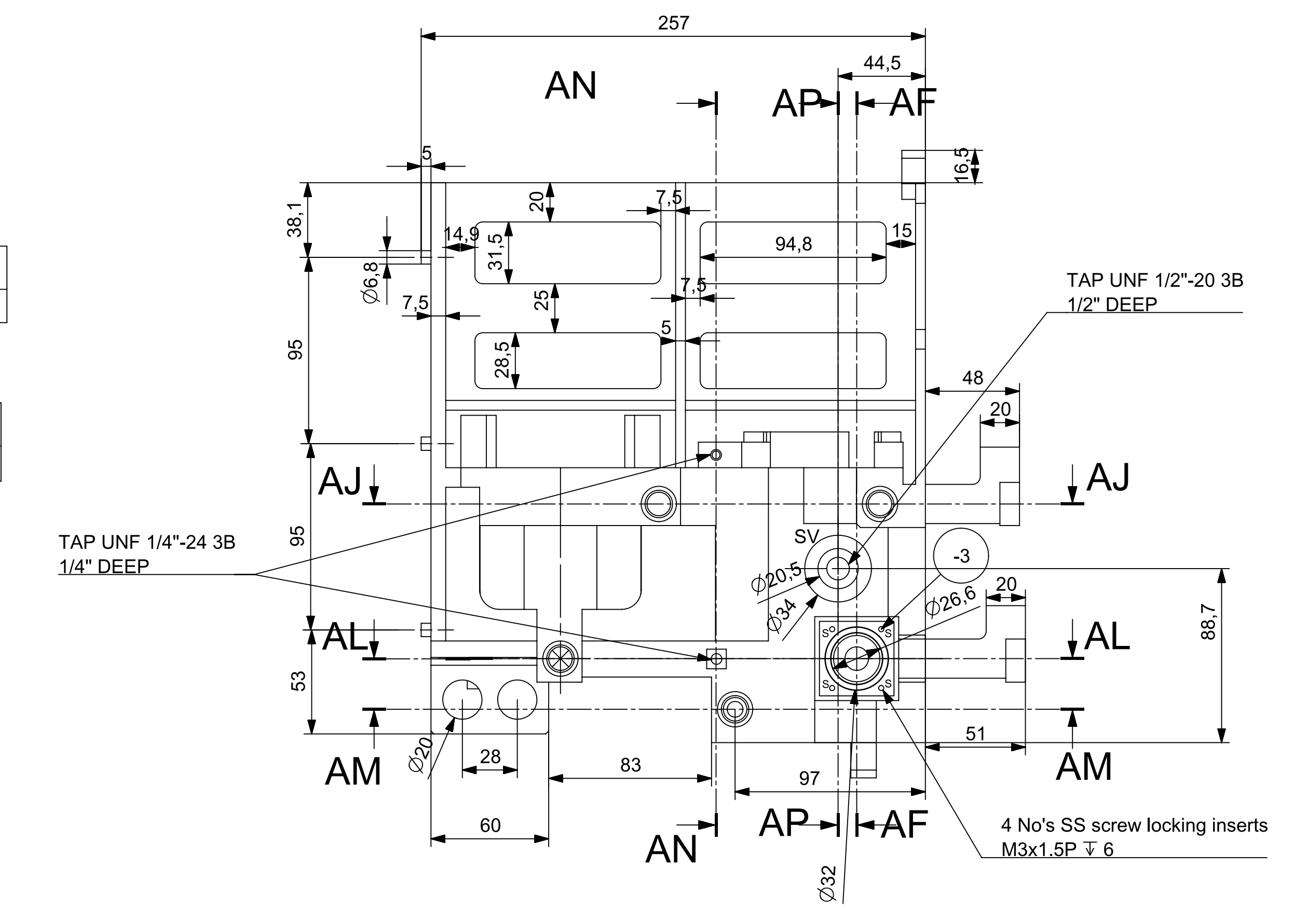
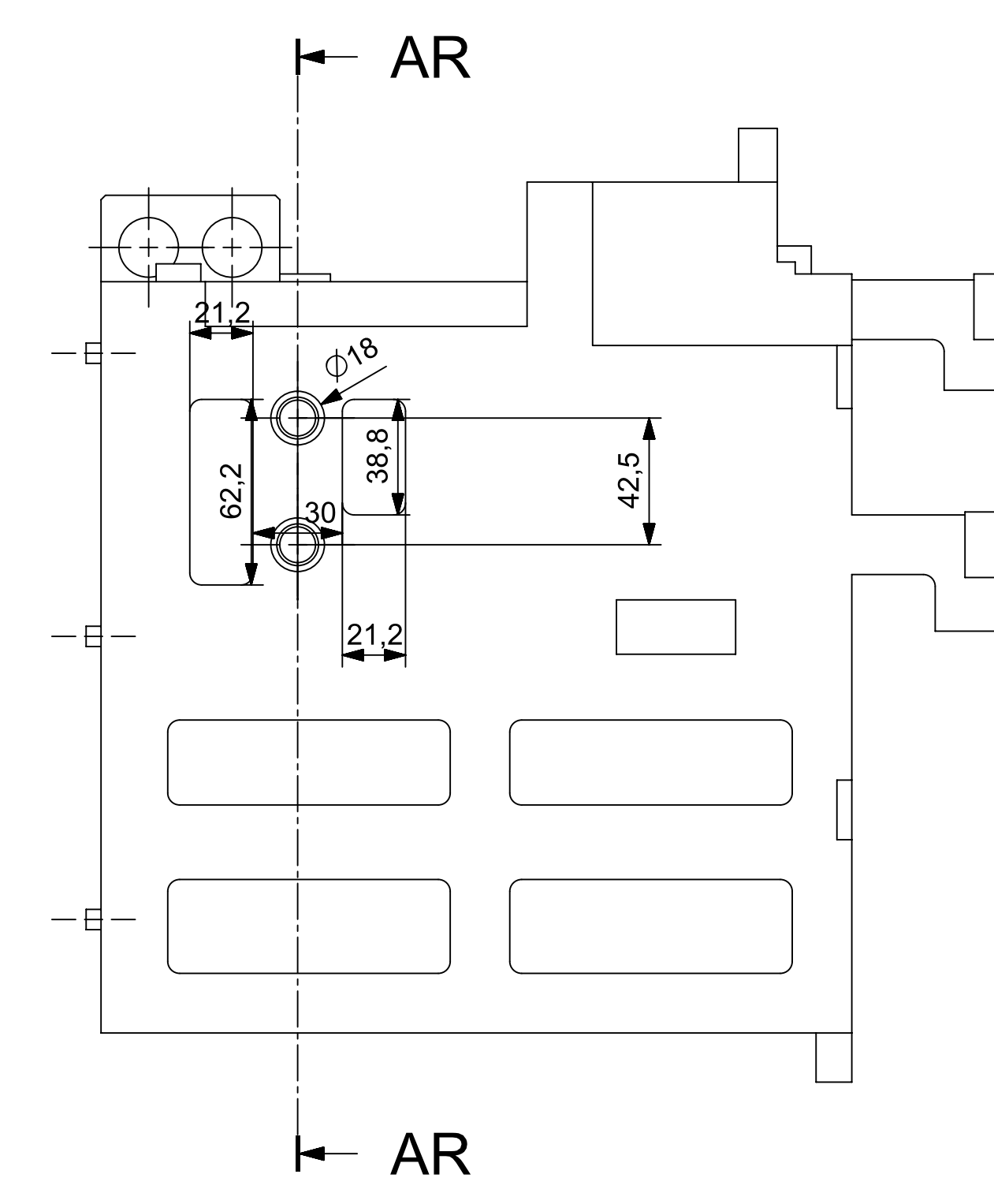
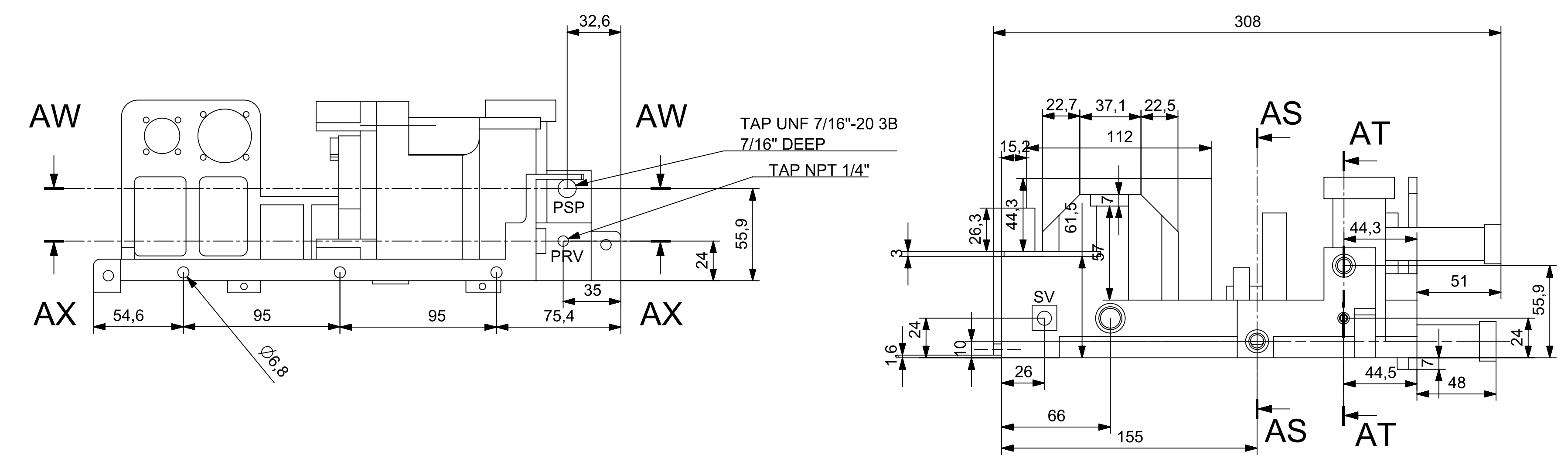
DEPT. HTF		SCALE	WEIGHT (KG)	REF. TO ASSY DRG.	ITEM NO.	NO.OF ITEMS
CODE 45		NA	2.92 ± 5%	0-PM-45-02000		

TITLE **Monoblock Assembly**

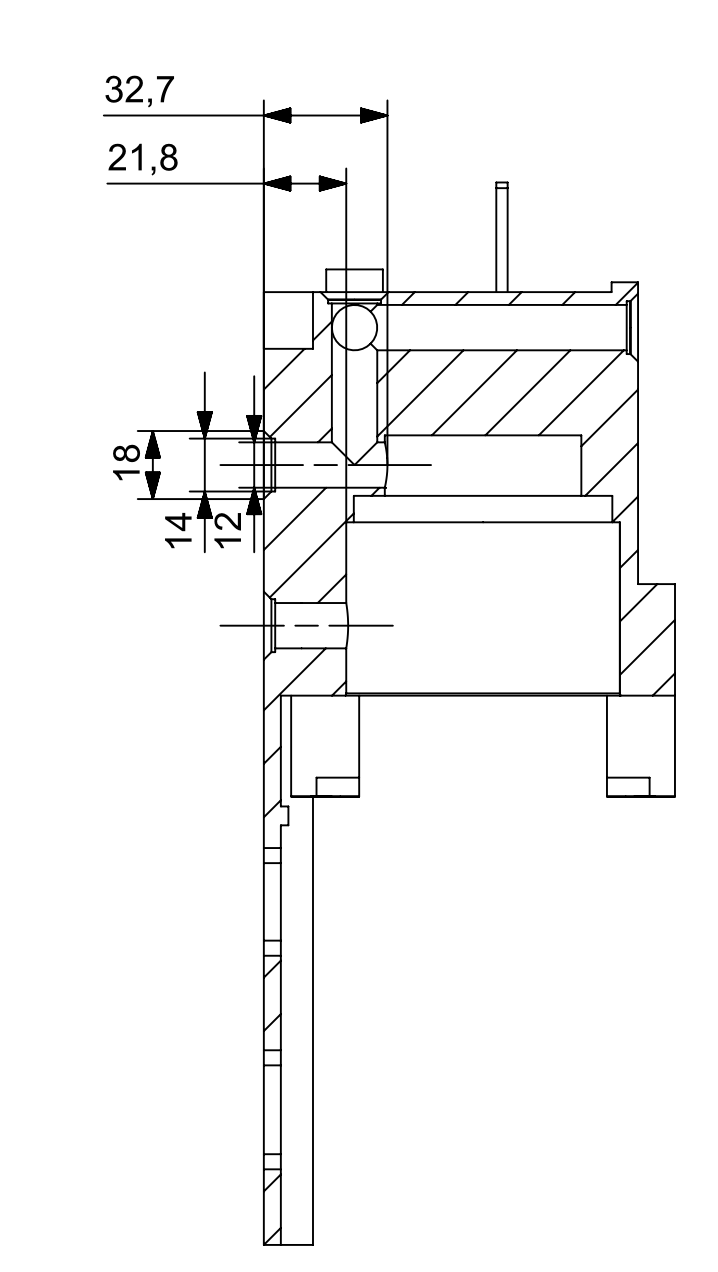
DRAWING NO. **3-PM-45-01000**

SHEET No.: 1 NO OF SHEETS: 1

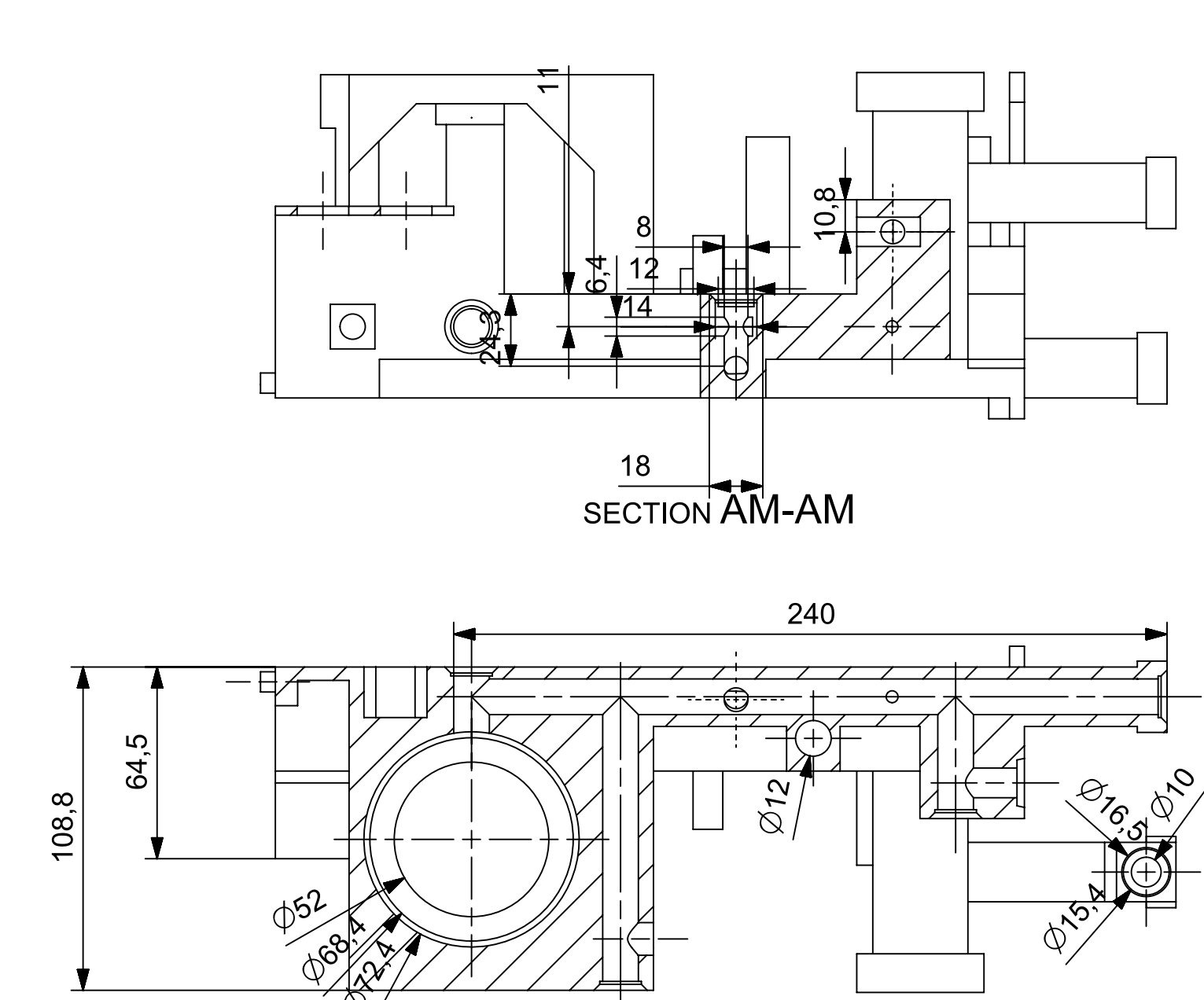
REV.	DATE	ALTERED	CHECKED/ APPD



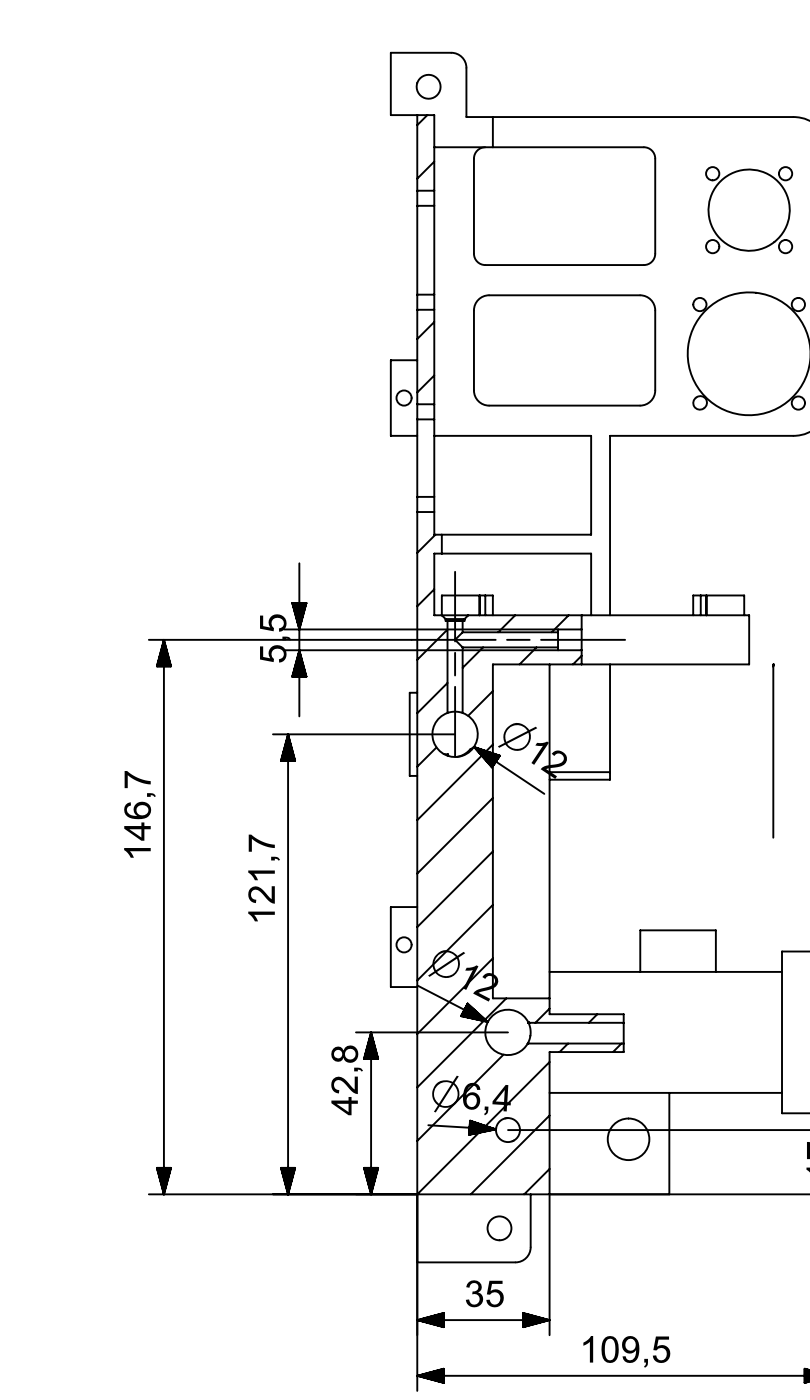
SECTION AW-AW



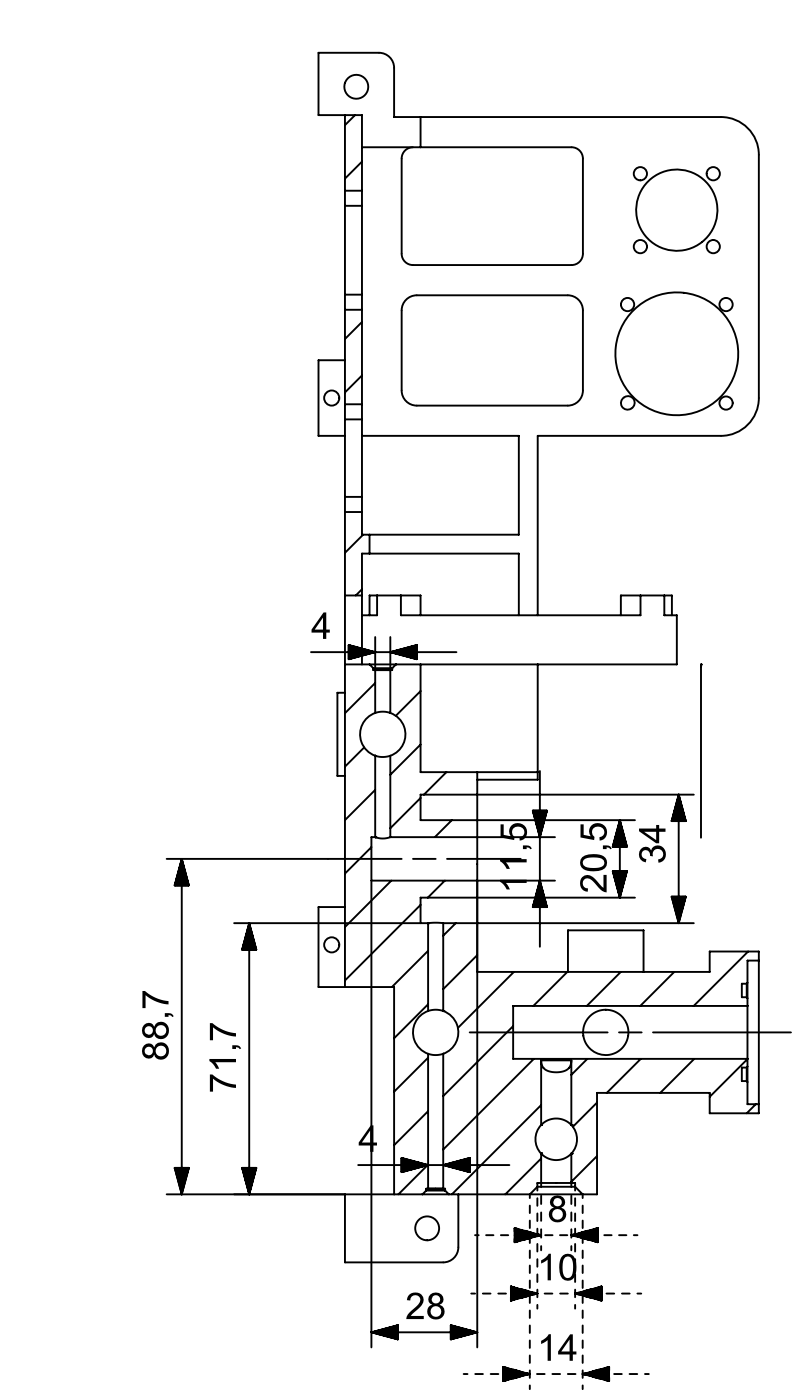
SECTION AR-AR (FOR FP-12)



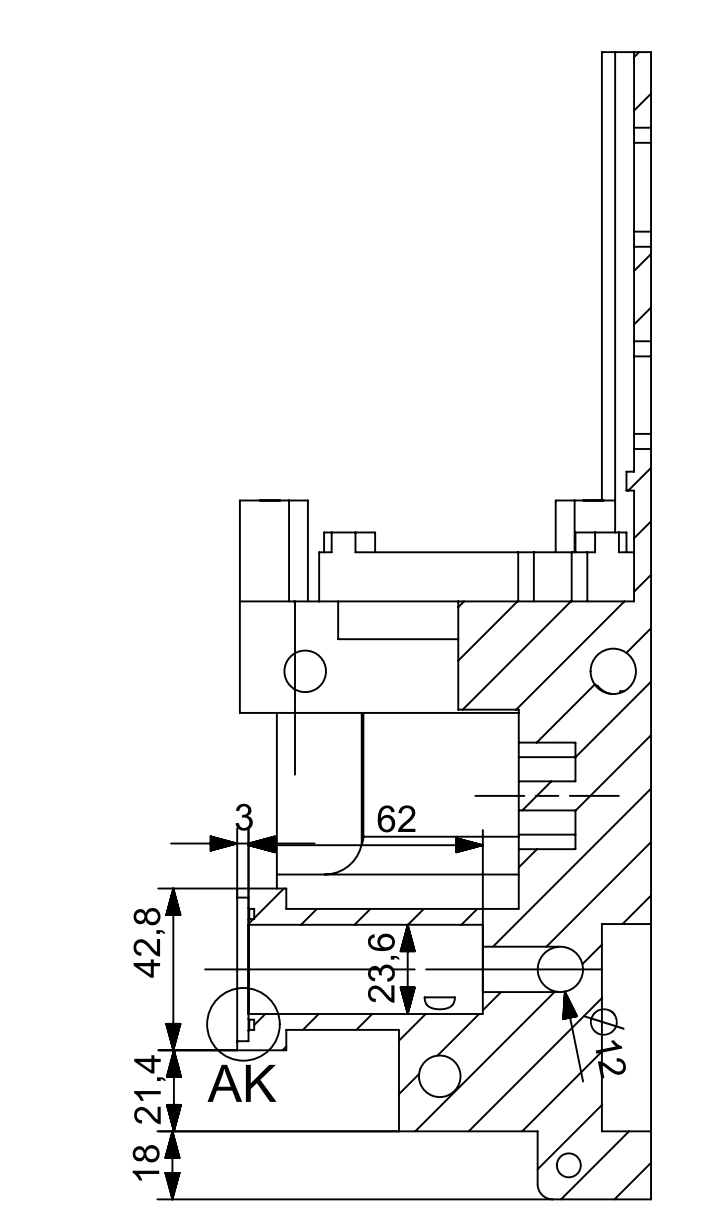
SECTION AJ-AJ (FOR FP-9 AND FP-10)



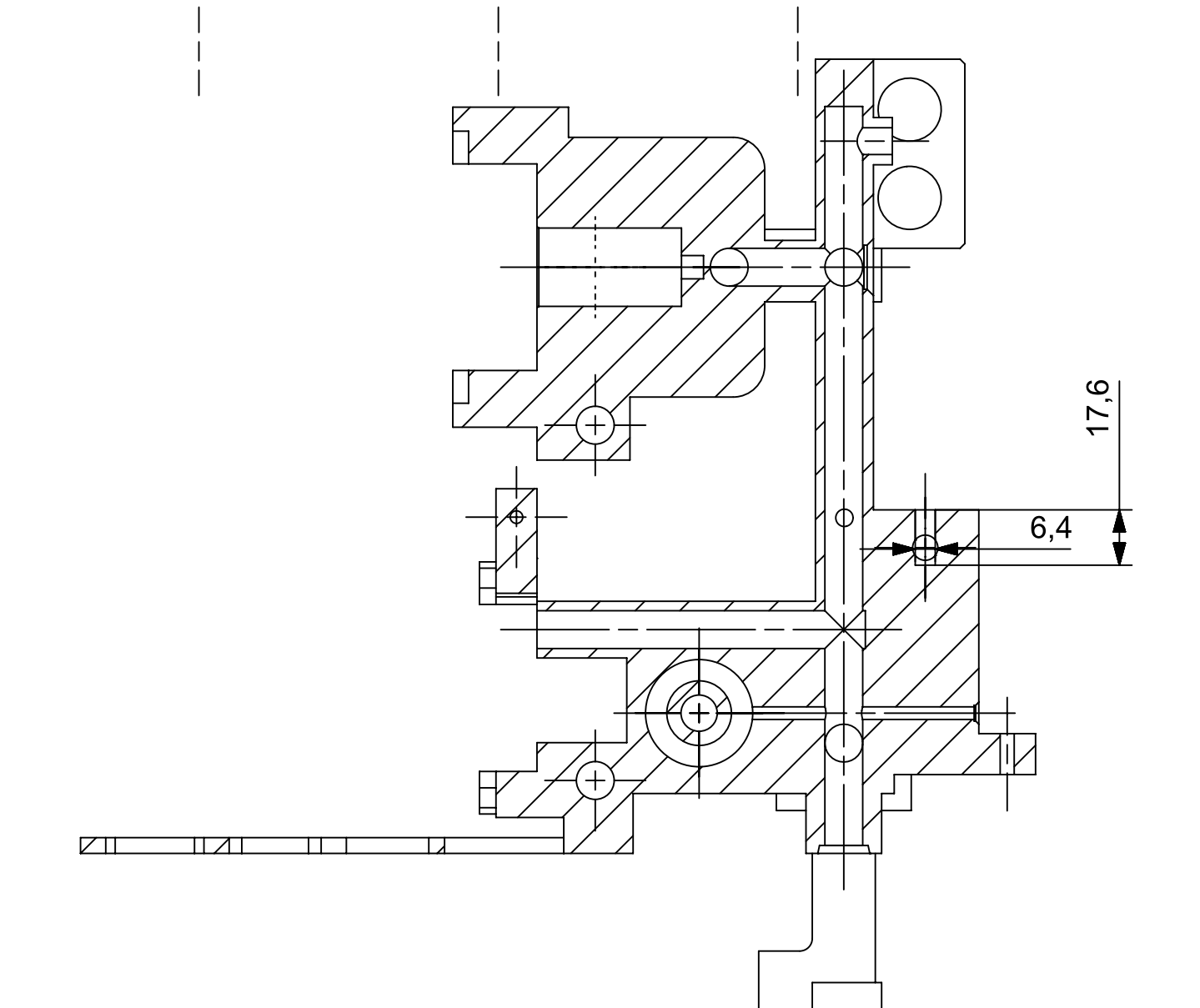
SECTION AN-AN



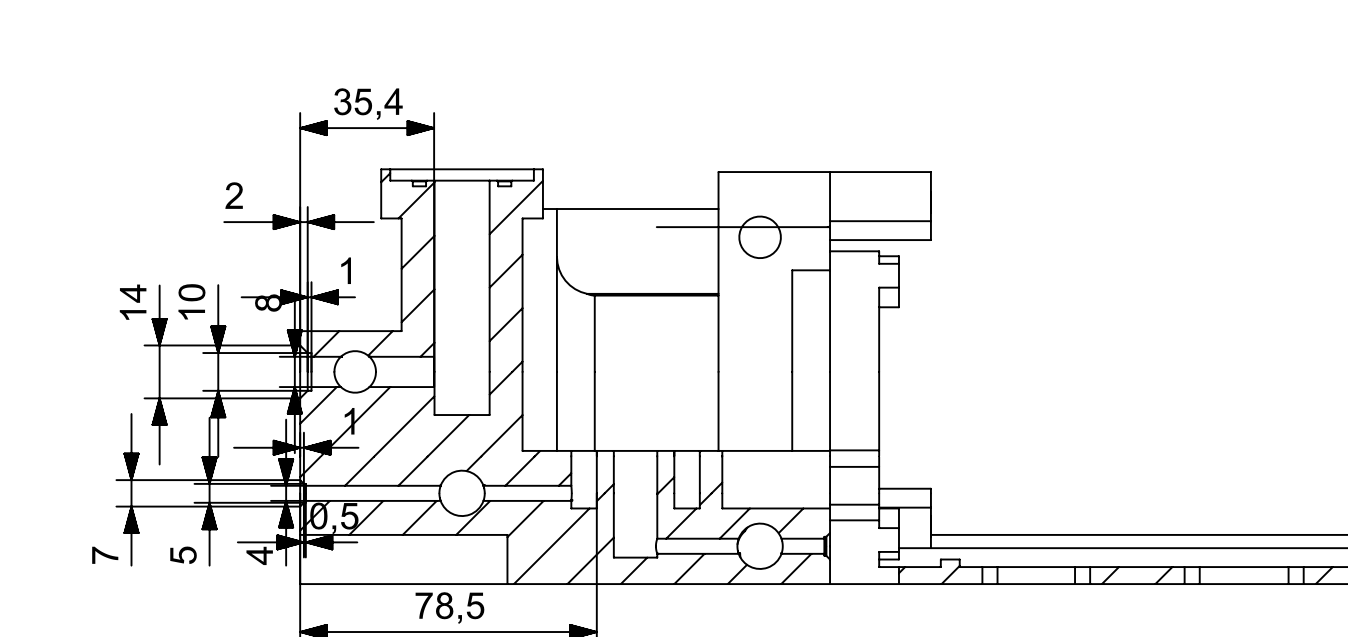
SECTION AP-AP (FOR FP-8)



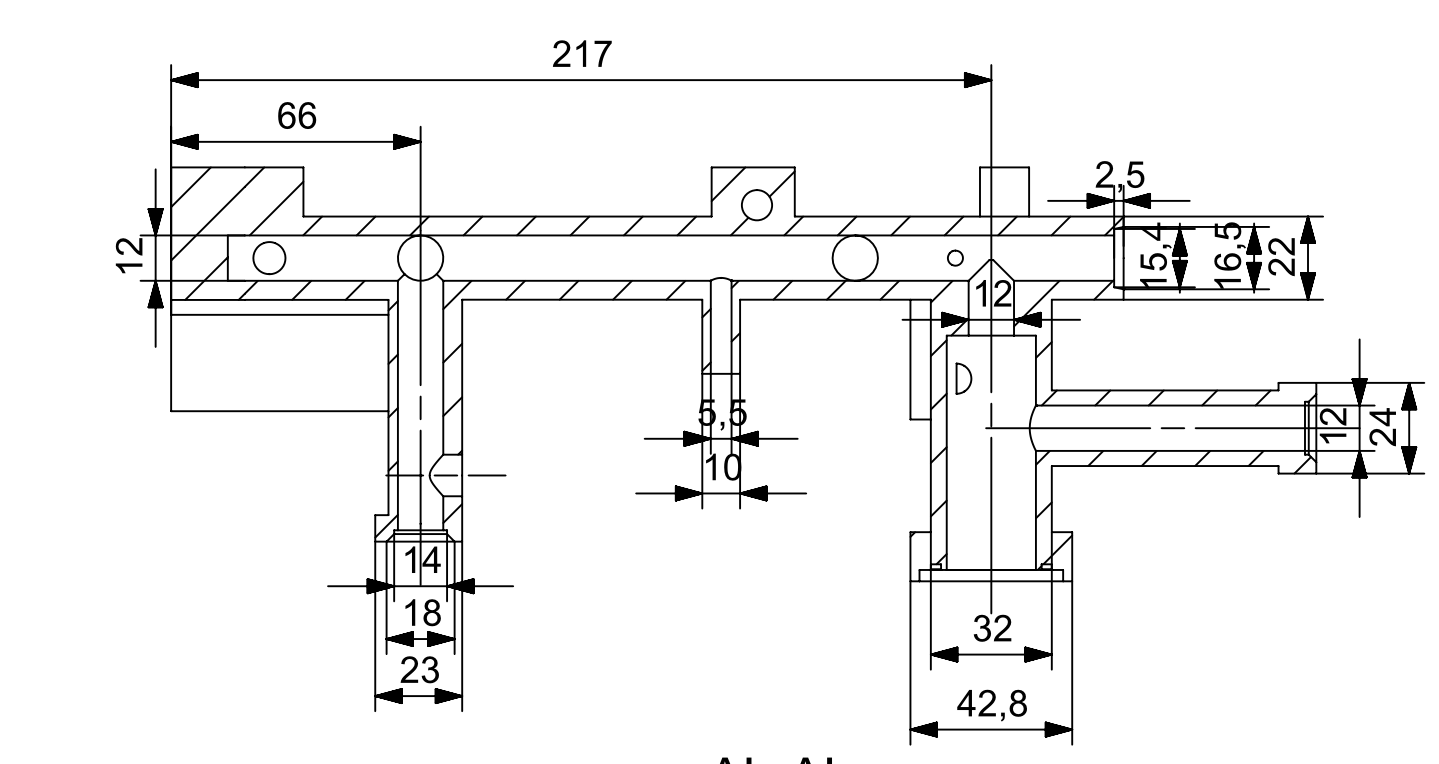
SECTION AF-AF (FOR FP-7)



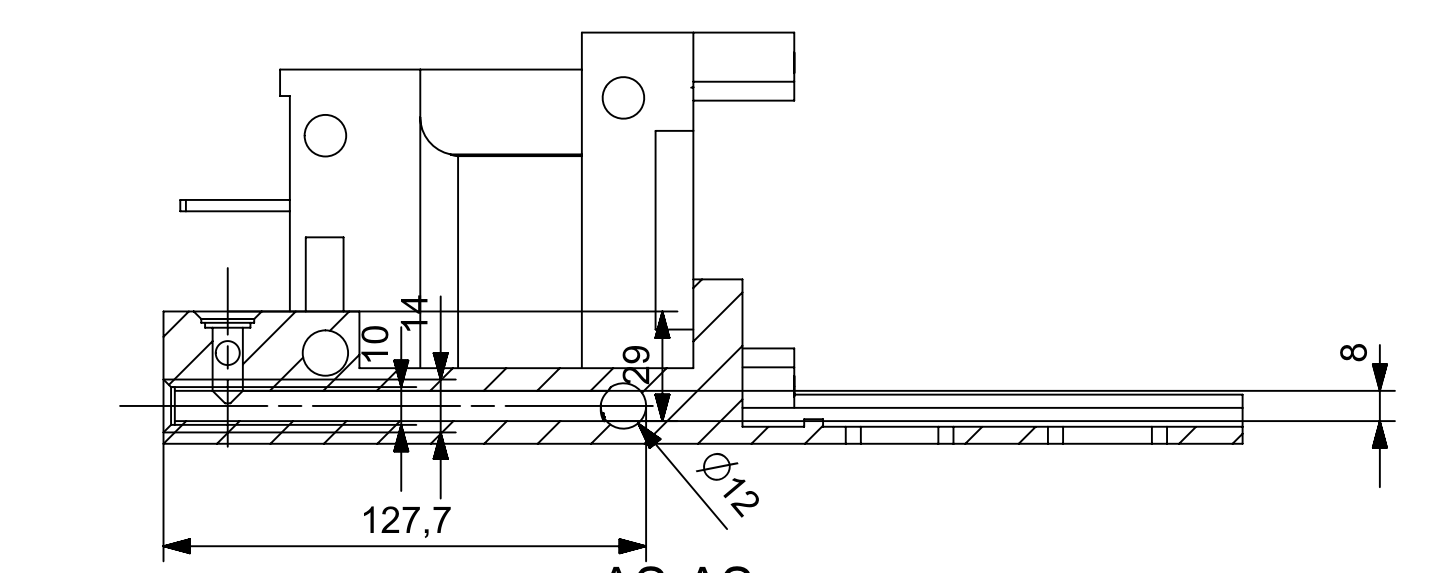
SECTION AX-AX



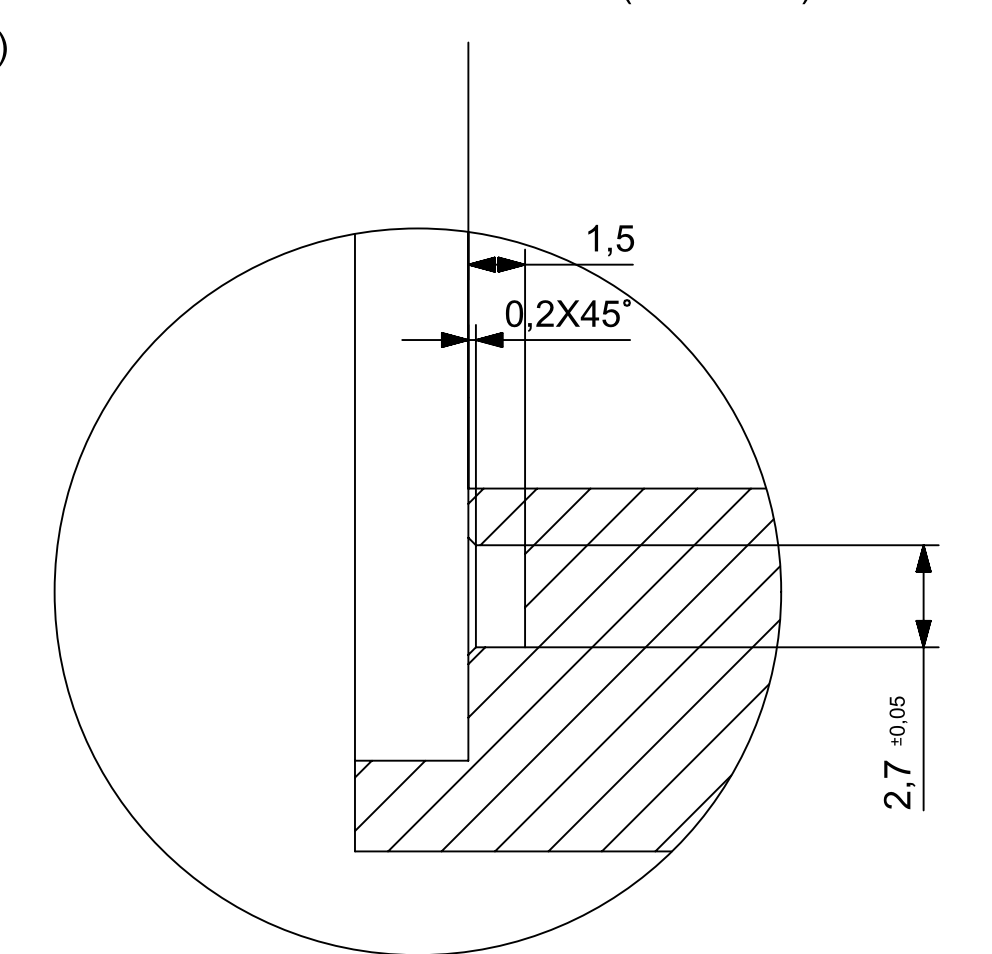
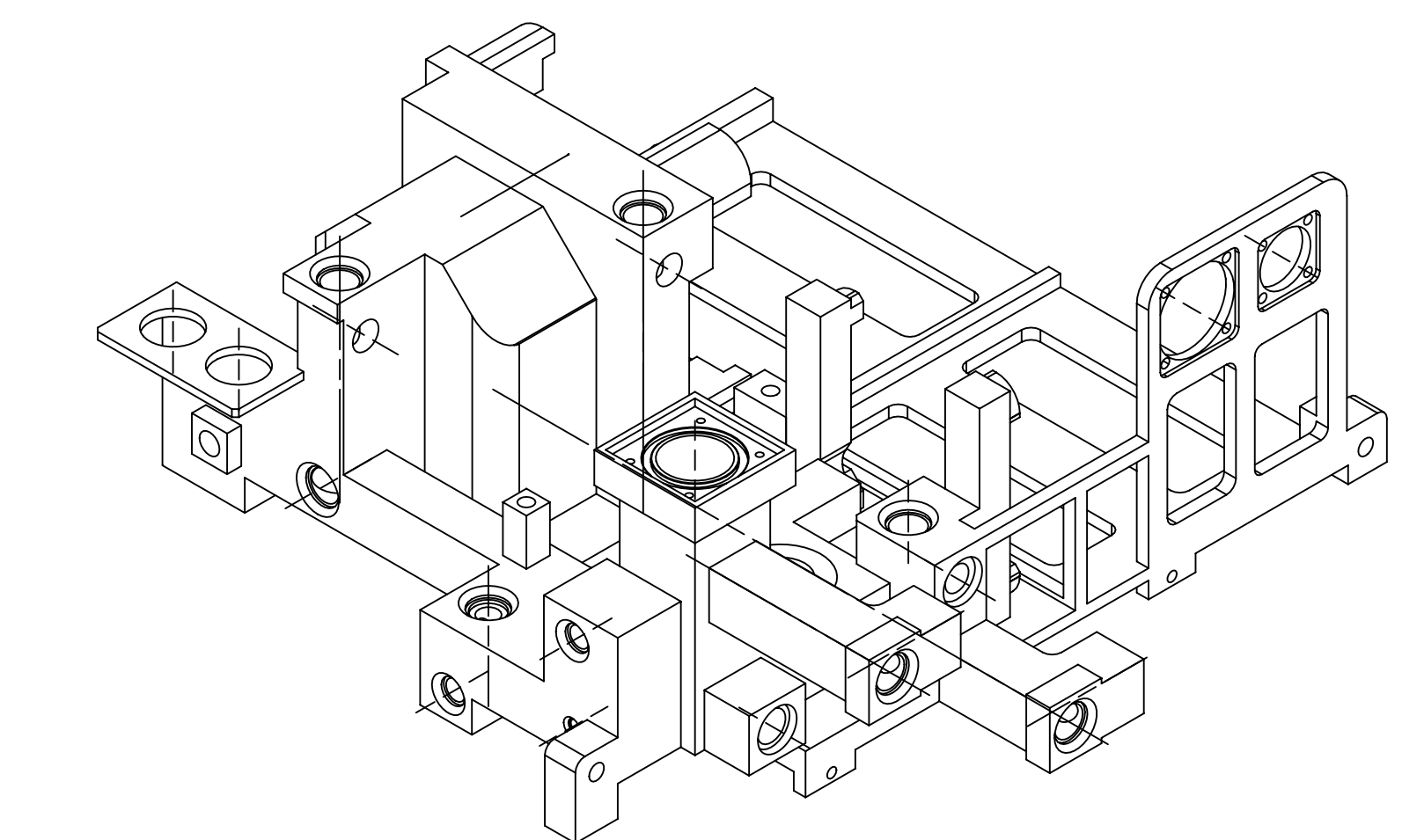
SECTION AT-AT (FOR FP-13)



SECTION AL-AL (FOR FP-11)



SECTION AS-AS (FOR FP-14)



DETAIL AK SCALE 5:1

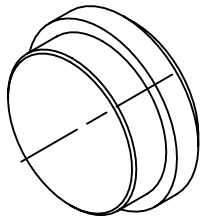
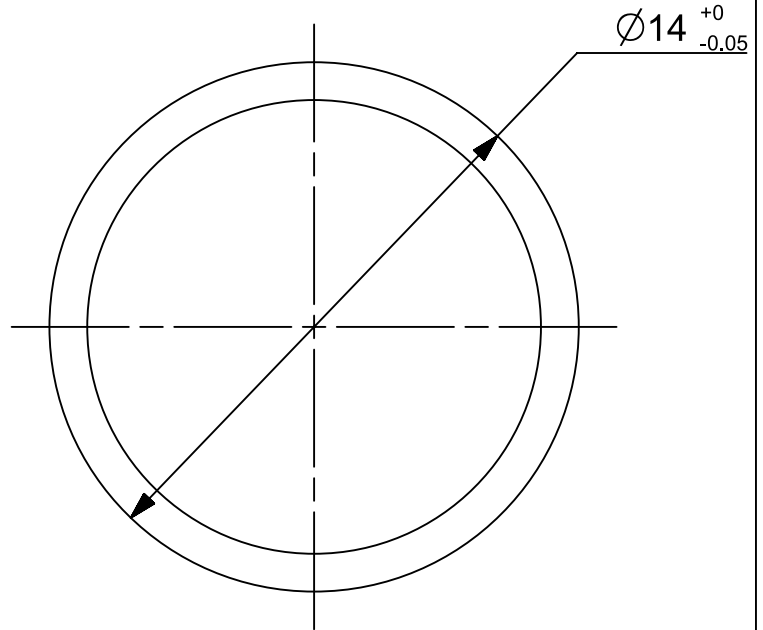
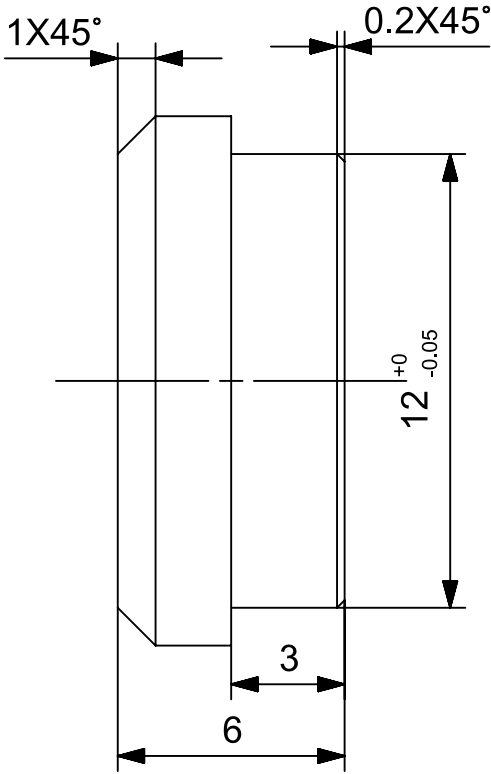
THE FOLLOWING CONDITIONS APPLY EXCEPT OTHERWISE STATED...									
1. THE DIMENSIONS SHOWN WITHIN THE BOX ARE CRITICAL, NEED TO BE CONTROLLED.									
2. FOR DEEP HOLE DRILLING OF FLUID PATH FP-1 TO FP-17, THE CONCENTRICITY AND PERPENDICULARITY OF HOLES SHOULD BE 0.2MM TOLERANCES.									
3. REF. TO HYDRO2061 FOR UNSPECIFIED TOLERANCES.									
REV. DATE ALTERED CHD./APPD.					REV. DATE ALTERED CHD./APPD.				

PUMP MODULE FOR ADA									
NAME OF CUSTOMER/PROJECT									
DEPT.	INITL. DING. BR.	SCALE	WEIGHT (KG)	REF. TO ASSY ORG.	ITEM NO.	NO. OF ITEMS	REV.	DATE	NO. OF SHEETS
45	C/M/F	NTS	3.2	+5%	3-PM-45-01000	-	-	-	-
BHARAT HEAVY ELECTRICALS LIMITED Corporate R&D, HYDERABAD					DNL S SURESH DGC D PAVITRANI APPD. G R RAO				
TITLE Monoblock					DRAWING NO. 0-PM-45-01001 SHEET NO. 2				

THE INFORMATION ON THIS DOCUMENT IS THE PROPERTY OF BHARAT HEAVY ELECTRICALS LIMITED. IT MUST NOT BE USED DIRECTLY OR INDIRECTLY IN ANY WAY DETRIMENTAL TO THE INTEREST OF THE COMPANY.

INVENTORY NO. SIGN. & DATE REF. DRG. NO. COMPUTER NO. THE INFORMATION ON THIS DOCUMENT IS THE PROPERTY OF BHARAT HEAVY ELECTRICALS LIMITED. IT MUST NOT BE USED DIRECTLY OR INDIRECTLY IN ANY WAY DETRIMENTAL TO THE INTEREST OF THE COMPANY.

REV.	DATE	ALTERED	REV.	DATE	ALTERED	REV.	DATE	ALTERED
		CHECKED			CHECKED			CHECKED
		APPROVED			APPROVED			APPROVED



ISOMETRIC VIEW
SCALE 2:1

NOTE:

1. CHROMATE CONVERSION ALL OVER AS PER MIL-C-5541 CLASS 1A.

STEPPED PLUG 4-PM-45-01002	N.A	N.A	AA6061-T6		
			AMS-4027	8	
DESCRIPTION & DRG.NO.	VAR NO.	RAW MATERIAL SIZE OR CASTING DRG.NO. OR FORGING DRG.NO.	MATL. CODE/MATERIAL	NET.WT.	GROSS WT
			MATL. SPECN.	QTY.	

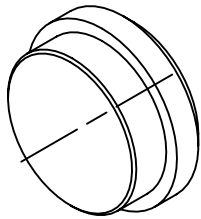
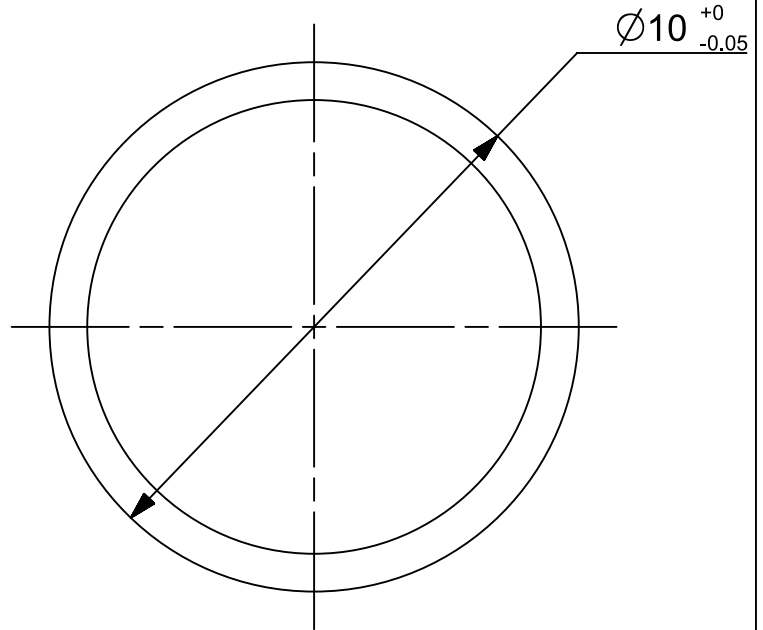
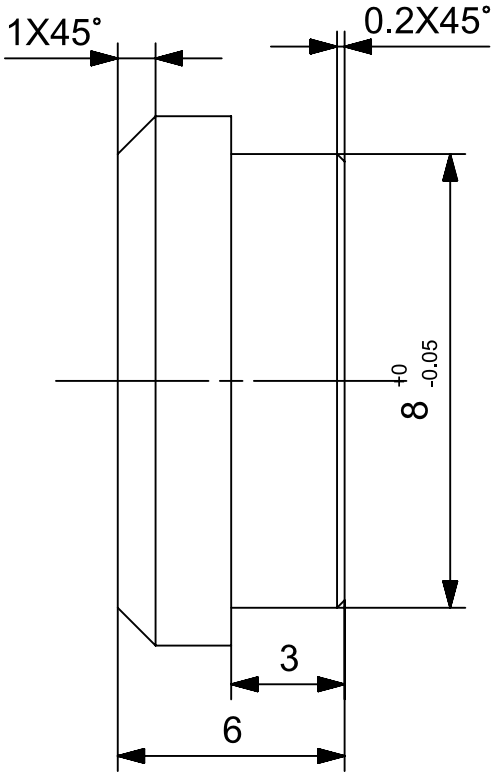
TYPE OF PRODUCT OR NAME OF CUSTOMER/PROJECT

PUMP MODULE FOR ADA

REF. TO HY0230261 FOR UNSPECIFIED TOLERANCES.	BHARAT HEAVY ELECTRICALS LTD. CORPORATE R&D, HYDERABAD		NAME	SIGN	DATE	NO.OF VAR. NA
		DRN.	D PAVITRAN		03-08-2022	
		CKD.	G R RAO		03-08-2022	
	APPD.	G R RAO		03-08-2022		
DEPT. HTF	SCALE NTS	WEIGHT(GRAM)	REF.TO ASSY.DRG.	ITEM NO.	NO.OF ITEM	
CODE 45		2.0 ± 0.5	3-PM-45-01000	-	-	
TITLE	STEPPED PLUG 14MM			DRAWING NO.	REV.	
			4-PM-45-01002	00		
			SHT.NO. 01	NO.OF SHT. 01		

INVENTORY NO. SIGN. & DATE REF. DRG. NO. COMPUTER NO. THE INFORMATION ON THIS DOCUMENT IS THE PROPERTY OF BHARAT HEAVY ELECTRICALS LIMITED. IT MUST NOT BE USED DIRECTLY OR INDIRECTLY IN ANY WAY DETRIMENTAL TO THE INTEREST OF THE COMPANY.

REV.	DATE	ALTERED	REV.	DATE	ALTERED	REV.	DATE	ALTERED
		CHECKED			CHECKED			CHECKED
		APPROVED			APPROVED			APPROVED



**ISOMETRIC VIEW
SCALE 2:1**

NOTE:

1. CHROMATE CONVERSION ALL OVER AS PER MIL-C-5541 CLASS 1A.

STEPPED PLUG 4-PM-45-01003	N.A	N.A	AA6061-T6		
			AMS-4027	2	
DESCRIPTION & DRG.NO.	VAR NO.	RAW MATERIAL SIZE OR CASTING DRG.NO. OR FORGING DRG.NO.	MATL. CODE/MATERIAL	NET.WT.	GROSS WT
			MATL. SPECN.	QTY.	

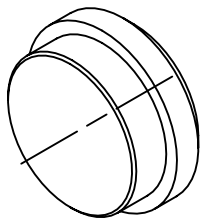
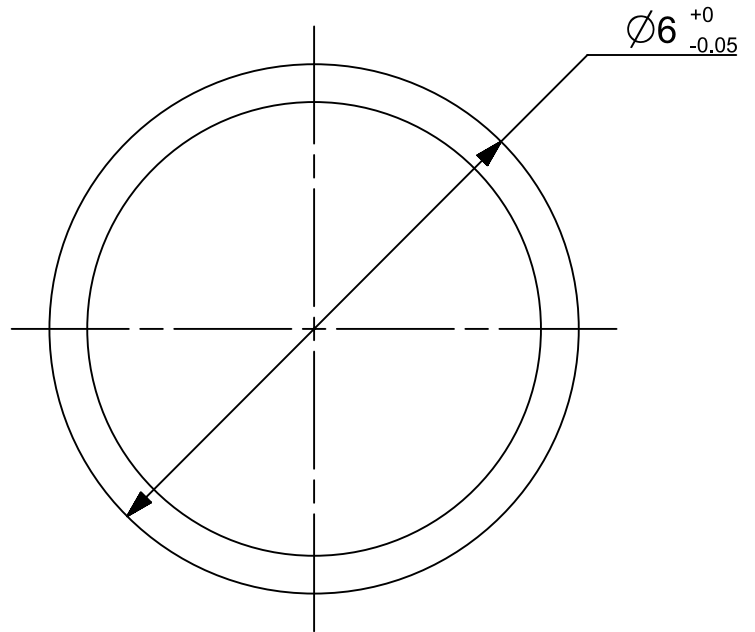
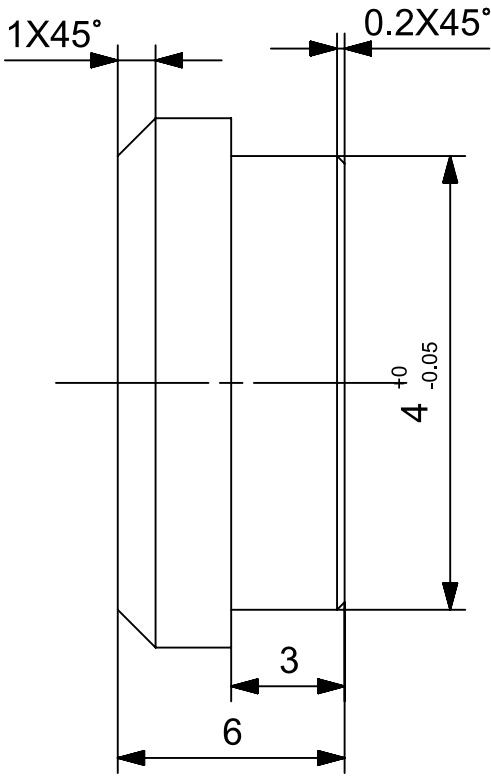
TYPE OF PRODUCT OR NAME OF CUSTOMER/PROJECT

PUMP MODULE FOR ADA

REF. TO HY0230261 FOR UNSPECIFIED TOLERANCES.	BHARAT HEAVY ELECTRICALS LTD. CORPORATE R&D, HYDERABAD		NAME	SIGN	DATE	NO.OF VAR. NA
		DRN.	D PAVITRAN		03-08-2022	
		CKD.	G R RAO		03-08-2022	
	APPD.	G R RAO		03-08-2022		
DEPT. HTF	SCALE NTS	WEIGHT(GRAM)	REF.TO ASSY.DRG.	ITEM NO.	NO.OF ITEM	
CODE 45		1.5 ± 0.5	3-PM-45-01000	-	-	
TITLE	STEPPED PLUG 10MM			DRAWING NO.		REV.
			4-PM-45-01003	00		
			SHT.NO. 01	NO.OF SHT. 01		

INVENTORY NO. SIGN. & DATE REF. DRG. NO. COMPUTER NO. THE INFORMATION ON THIS DOCUMENT IS THE PROPERTY OF BHARAT HEAVY ELECTRICALS LIMITED. IT MUST NOT BE USED DIRECTLY OR INDIRECTLY IN ANY WAY DETRIMENTAL TO THE INTEREST OF THE COMPANY.

REV.	DATE	ALTERED	REV.	DATE	ALTERED	REV.	DATE	ALTERED
		CHECKED			CHECKED			CHECKED
		APPROVED			APPROVED			APPROVED



ISOMETRIC VIEW
SCALE 2:1

NOTE:

1. CHROMATE CONVERSION ALL OVER AS PER MIL-C-5541 CLASS 1A.

STEPPED PLUG 4-PM-45-01004	N.A	N.A	AA6061-T6		
			AMS-4027	8	
DESCRIPTION & DRG.NO.	VAR NO.	RAW MATERIAL SIZE OR CASTING DRG.NO. OR FORGING DRG.NO.	MATL. CODE/MATERIAL	NET.WT.	GROSS WT
			MATL. SPECN.	QTY.	

TYPE OF PRODUCT OR NAME OF CUSTOMER/PROJECT

PUMP MODULE FOR ADA

REF. TO HY0230261 FOR UNSPECIFIED TOLERANCES.	BHARAT HEAVY ELECTRICALS LTD. CORPORATE R&D, HYDERABAD		NAME	SIGN	DATE	NO.OF VAR. NA
		DRN.	D PAVITRAN		03-08-2022	
		CKD.	G R RAO		03-08-2022	
	APPD.	G R RAO		03-08-2022		
DEPT. HTF	SCALE NTS	WEIGHT(GRAM)	REF.TO ASSY.DRG.	ITEM NO.	NO.OF ITEM	
CODE 45		1.5 ± 0.5	3-PM-45-01000	-	-	
TITLE	STEPPED PLUG 6MM			DRAWING NO.		REV.
			4-PM-45-01004	00		
			SHT.NO. 01	NO.OF SHT. 01		