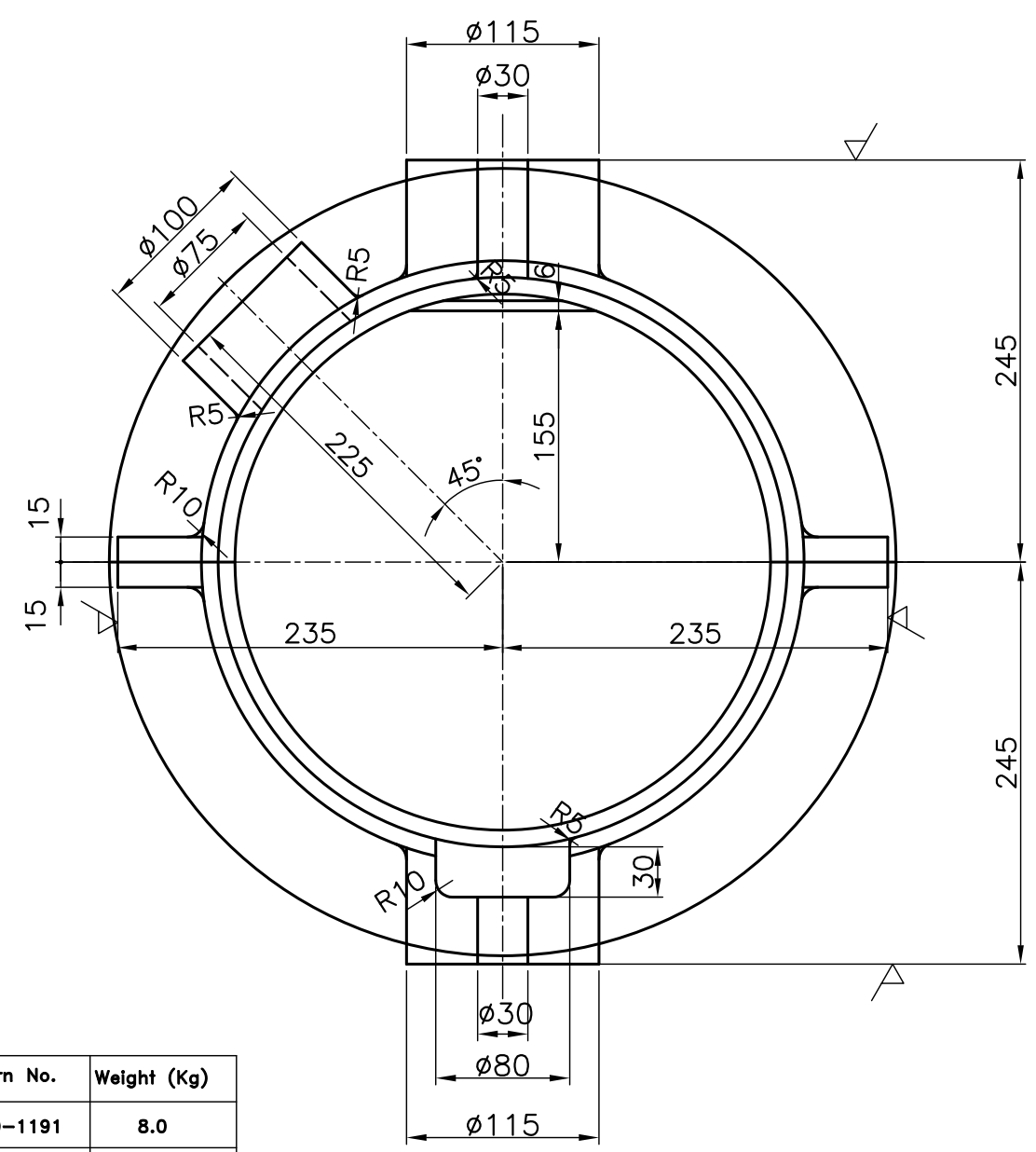
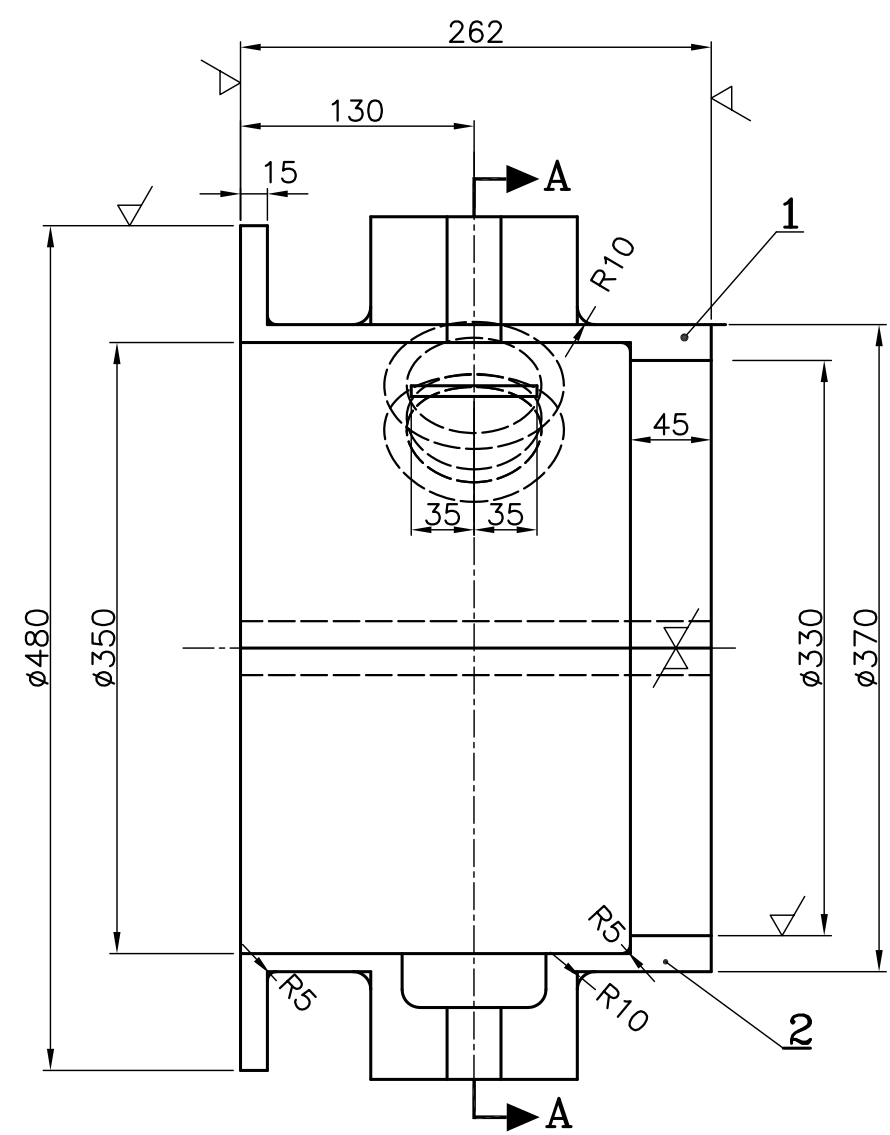


DRG. NO. 3-331-29-10046

SHT. 01 OF 01

SIGN. AND DATE REF. DRG. NO. COMPUTER FILE NAME THE INFORMATION ON THIS DOCUMENT IS THE PROPERTY OF BHARAT HEAVY ELECTRICALS LIMITED. IT MUST NOT BE USED DIRECTLY OR INDIRECTLY IN ANY WAY DETRIMENTAL TO THE INTEREST OF THE COMPANY

GENERAL DIMENSIONAL LIMITS, FITS & TOLERANCES AS PER HY0230261



	Description	Pattern No.	Weight (Kg)
01	COUPLING GUARD UPPER HALF	M-60-1191	8.0
02	COUPLING GUARD LOWER HALF	M-60-1192	8.0

- NOTES:**
- 1) MATERIAL : AA19953
  - 2) MACHINING ALLOWANCE OF  $5^{+2}_0$  SHALL BE PROVIDED ON ALL PROOF MACHINED SURFACES MARKED WITH  $\nabla$
  - 3) ALL CAST SURFACES SHALL HAVE SMOOTH FINISH
  - 4) CASTING SHALL BE STRESS RELIEVED
  - 5) ALL UNMENTIONED RADII SHALL BE R10.

TYPE OF PRODUCT OR NAME OF CUSTOMER/PROJECT



BHARAT HEAVY ELECTRICALS LTD. HYDERABAD

	NAME	SIGN.	DATE	NO. OF VAR.
DRN.	SUGUNA		21.10.21	
CHD.	NEMA		21.10.21	-NA-
APPD.	YVRL		21.10.21	

DEPT. COMP	UNTOL. DIMS. GR. $\phi$ /M/F	SCALE	WEIGHT (KG)	REF. TO ASSY. DRG.	ITEM NO.	NO. OF ITEMS
420		NTS	-	-NA-	-NA-	-NA-
TITLE <b>COUPLING GUARD CASTING IN TWO HALVES</b>				CARD CODE	DRAWING NO. <b>3-331-29-10046</b>	REV. <b>00</b>
				SHT. No 01	NO. OF SHT. 01	