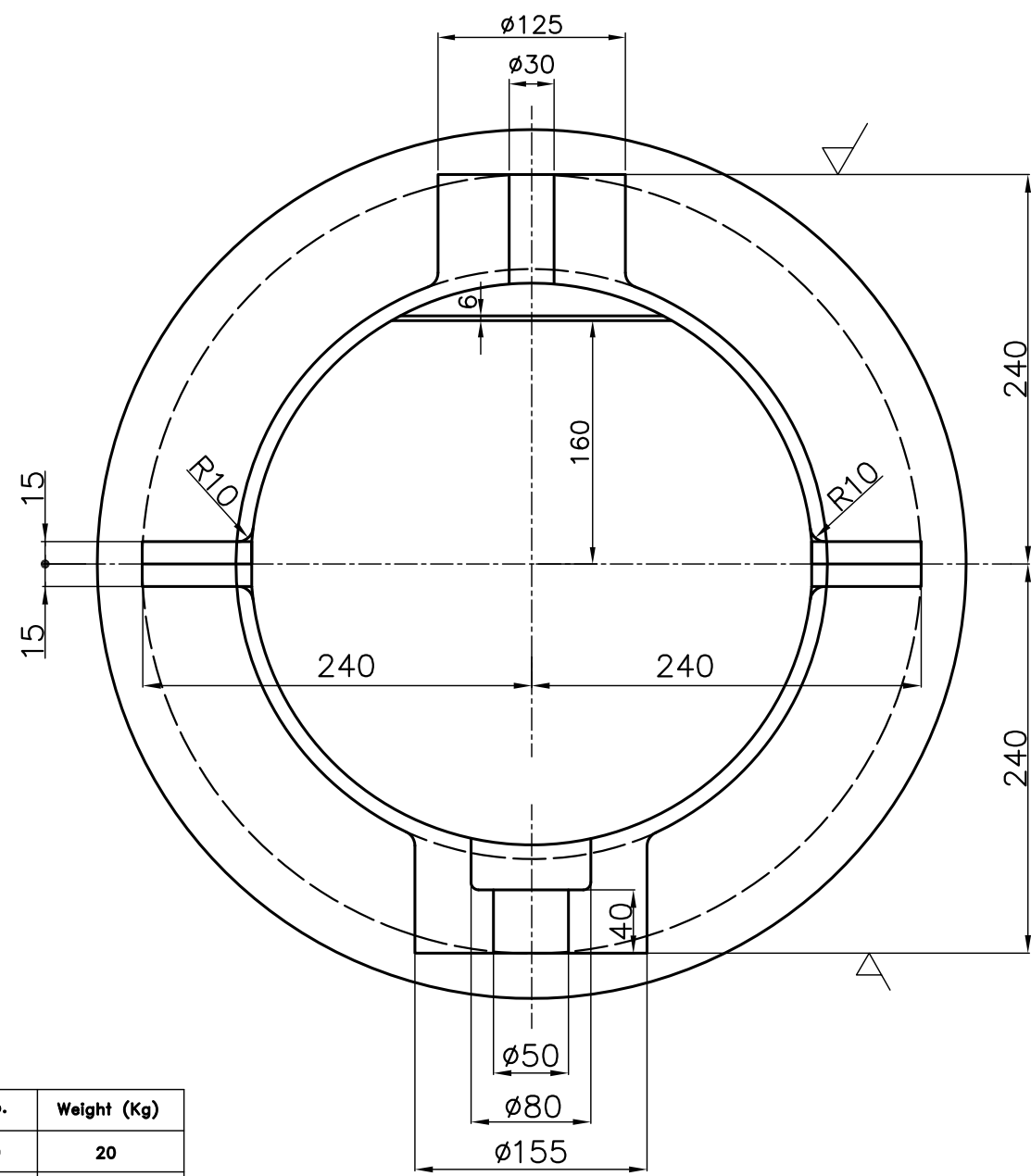
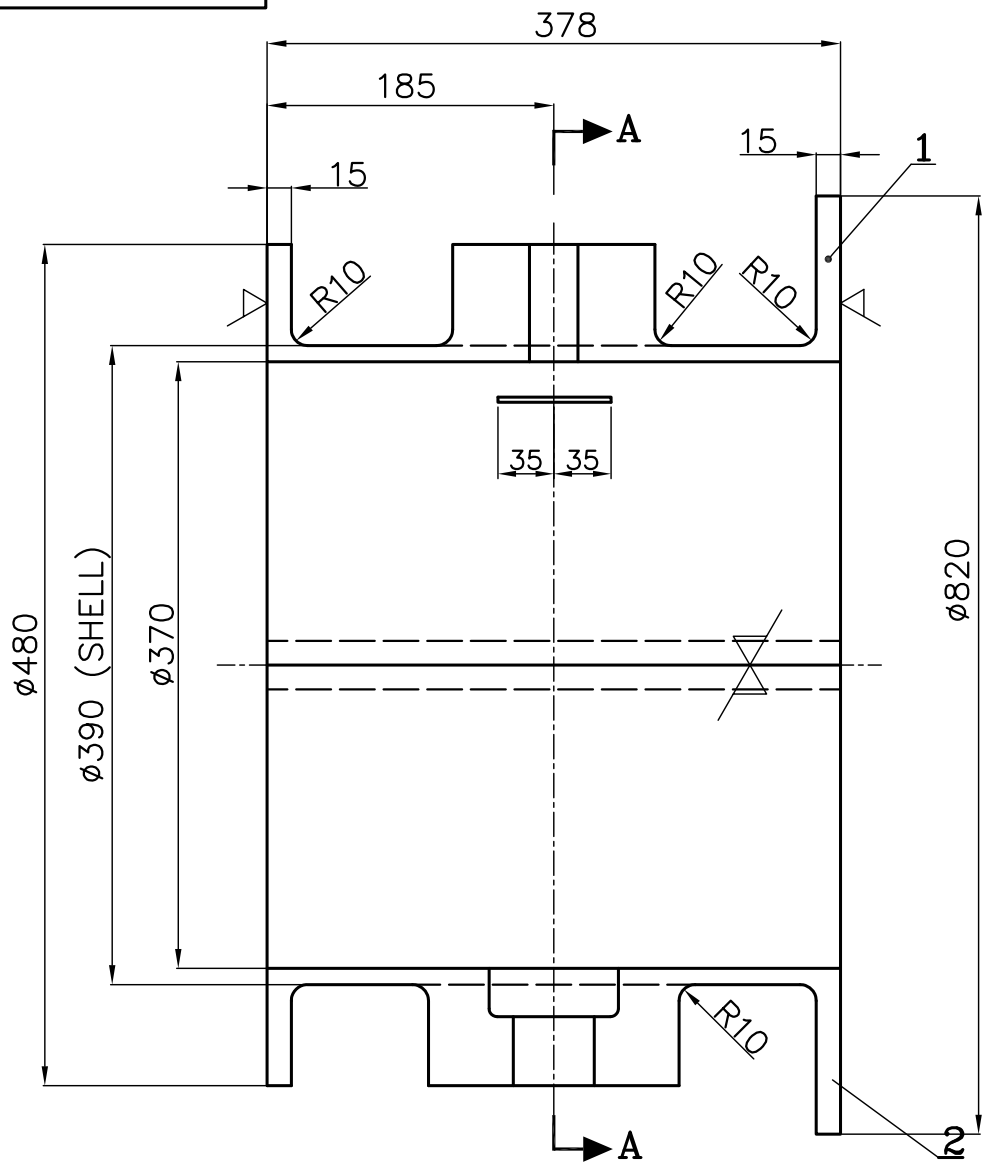


SIGN. AND DATE REF. DRG. NO. COMPUTER FILE NAME THE INFORMATION ON THIS DOCUMENT IS THE PROPERTY OF BHARAT HEAVY ELECTRICALS LIMITED. IT MUST NOT BE USED DIRECTLY OR INDIRECTLY IN ANY WAY DETRIMENTAL TO THE INTEREST OF THE COMPANY

GENERAL DIMENSIONAL LIMITS, FITS & TOLERANCES AS PER HY0230261

DRG. NO. 3-331-29-10045

SHT. 01 OF 01



SECTION A-A

Var No.	Description	Pattern No.	Weight (Kg)
01	COUPLING GUARD UPPER HALF	M-60-1089	20
02	COUPLING GUARD LOWER HALF	M-60-1090	22

NOTES:-

- 1) MATERIAL : AA19953
- 2) MACHINING ALLOWANCE OF 5^{+2}_0 SHALL BE PROVIDED ON ALL PROOF MACHINED SURFACES MARKED WITH \surd
- 3) ALL CAST SURFACES SHALL HAVE SMOOTH FINISH
- 4) CASTING SHALL BE STRESS RELIEVED
- 5) ALL UNMENTIONED RADII SHALL BE R10.

TYPE OF PRODUCT OR NAME OF CUSTOMER/PROJECT



BHARAT HEAVY ELECTRICALS LTD. HYDERABAD

	NAME	SIGN.	DATE	NO. OF VAR.
DRN.	HARI		18.09.21	
CHD.	NEMA		20.09.21	-NA-
APPD.	YVRL		20.09.21	

INVENTORY NO	ZONE	REV.	DATE	ALTERED	REV.	DATE	ALTERED	REV.	DATE	ALTERED
				CHD/APPD			CHD/APPD			CHD/APPD

DEPT. COMP	UNTOL. DIMS. GR. ϕ /M/F	SCALE	WEIGHT (KG)	REF. TO ASSY. DRG.	ITEM NO.	NO. OF ITEMS
420		NTS	AS ABOVE	-NA-	-NA-	-NA-
TITLE			CARD CODE	DRAWING NO.	REV.	
COUPLING GUARD CASTING IN TWO HALVES				3-331-29-10045	00	
				SHT. No 01	NO. OF SHT. 01	