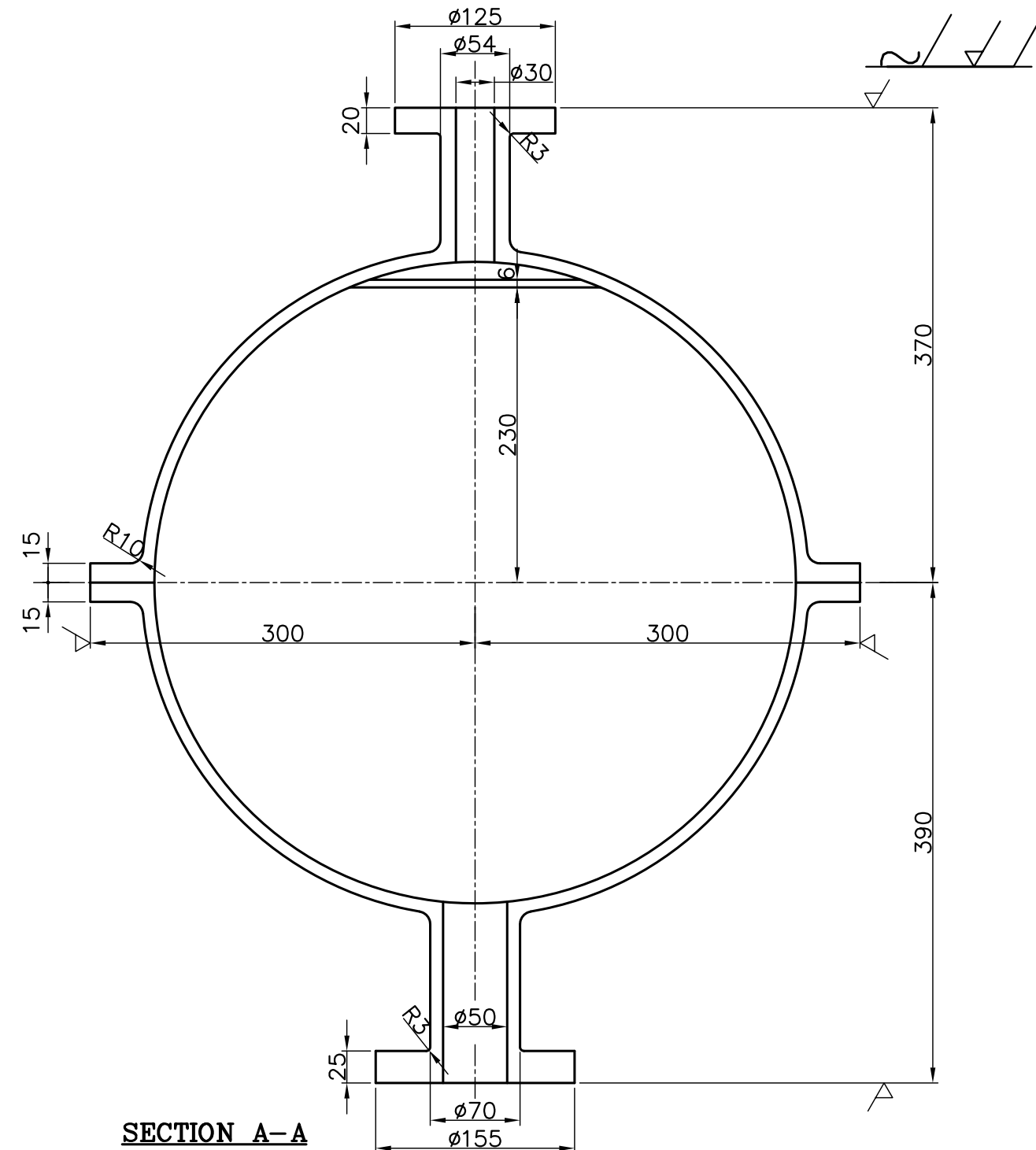
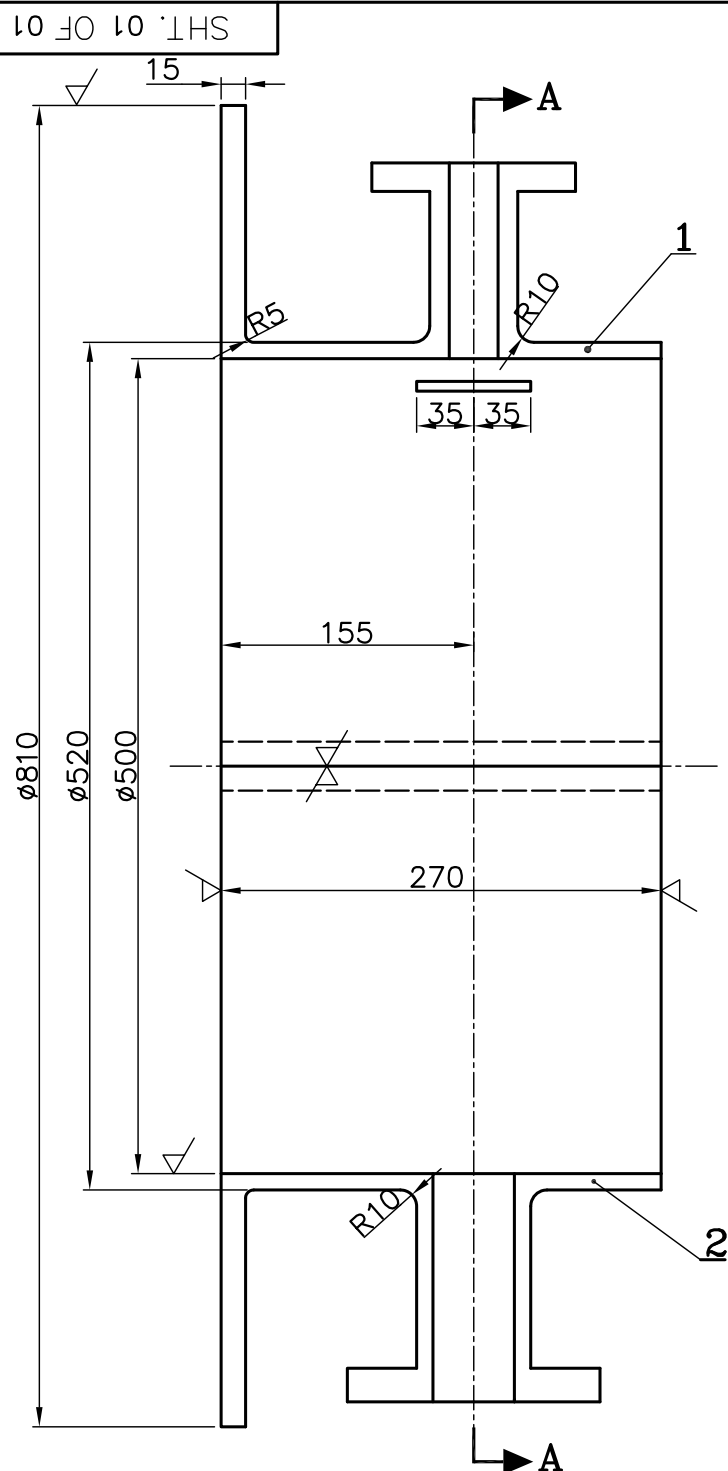


DRG. NO. 3-331-29-10041 SHT. 01 OF 01

SIGN. AND DATE REF. DRG. NO. COMPUTER FILE NAME THE INFORMATION ON THIS DOCUMENT IS THE PROPERTY OF BHARAT HEAVY ELECTRICALS LIMITED. IT MUST NOT BE USED DIRECTLY OR INDIRECTLY IN ANY WAY DETRIMENTAL TO THE INTEREST OF THE COMPANY

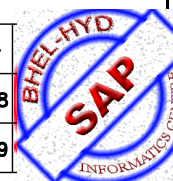
GENERAL DIMENSIONAL LIMITS, FITS & TOLERANCES AS PER HY0230261



NOTES:

- 1) MATERIAL : AA19953
- 2) MACHINING ALLOWANCE OF 5^{+2}_0 SHALL BE PROVIDED ON ALL PROOF MACHINED SURFACES MARKED WITH ∇
- 3) ALL CAST SURFACES SHALL HAVE SMOOTH FINISH
- 4) CASTING SHALL BE STRESS RELIEVED
- 5) ALL UNMENTIONED RADII SHALL BE R10.

Var No.	Description	Pattern No.
01	COUPLING GUARD UPPER HALF	M-60-1178
02	COUPLING GUARD LOWER HALF	M-60-1179



TYPE OF PRODUCT OR NAME OF CUSTOMER/PROJECT

BHARAT HEAVY ELECTRICALS LTD. HYDERABAD				
DRN.	NAME	SIGN.	DATE	NO. OF VAR.
CHD.	KVS		02.07.21	-NA-
APPD.	NEMA		02.07.21	-NA-
	YVRL		02.07.21	-NA-

DEPT. COMP	UNTOL. DIMS. GR. \varnothing /M/F	SCALE	WEIGHT (KG)	REF. TO ASSY. DRG.	ITEM NO.	NO. OF ITEMS
420		NTS	-	-NA-	-NA-	-NA-
TITLE			CARD CODE	DRAWING NO.	REV.	
COUPLING GUARD CASTING IN TWO HALVES				3-331-29-10041	00	
SHT. No 01		NO. OF SHT. 01				