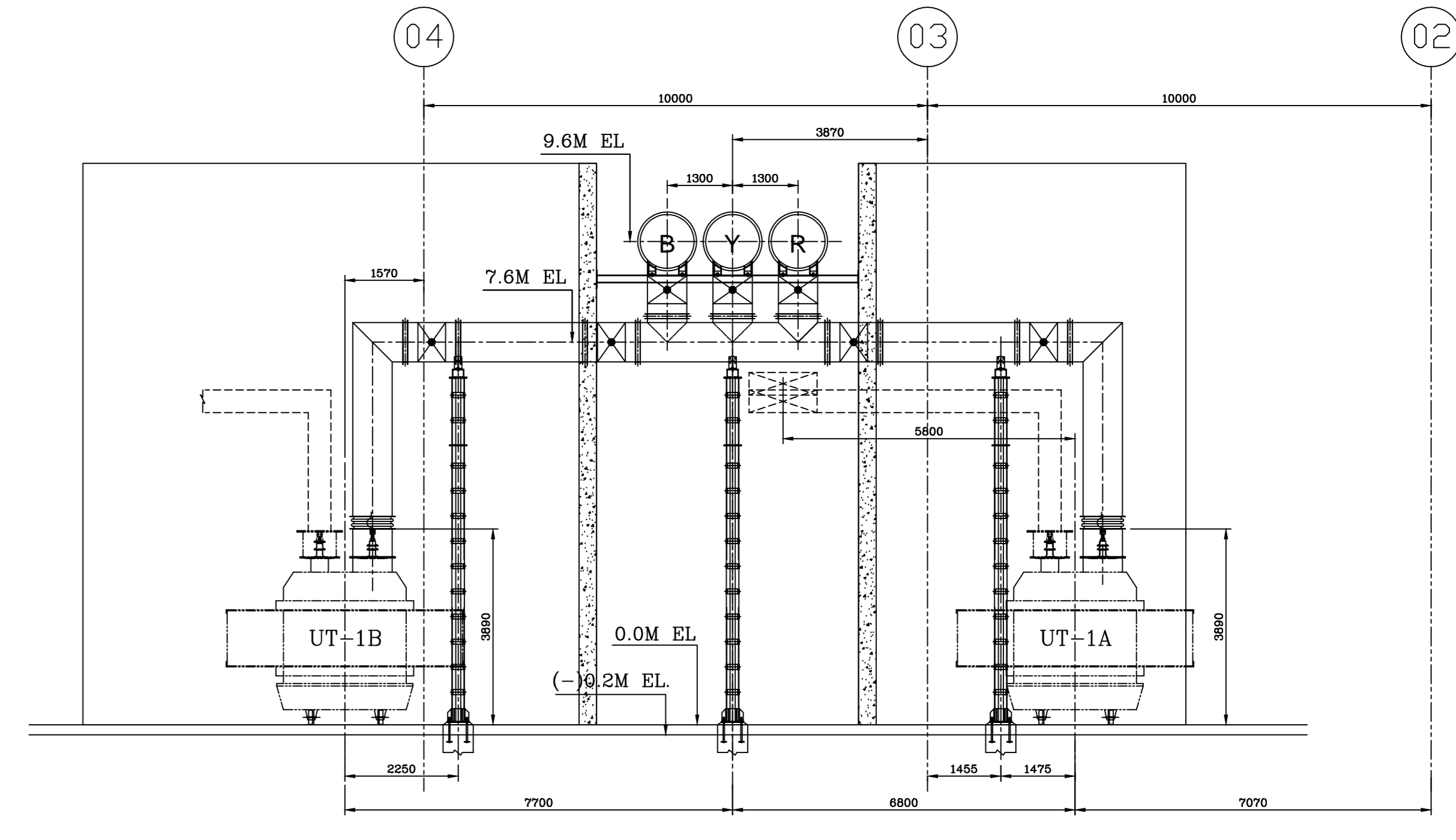
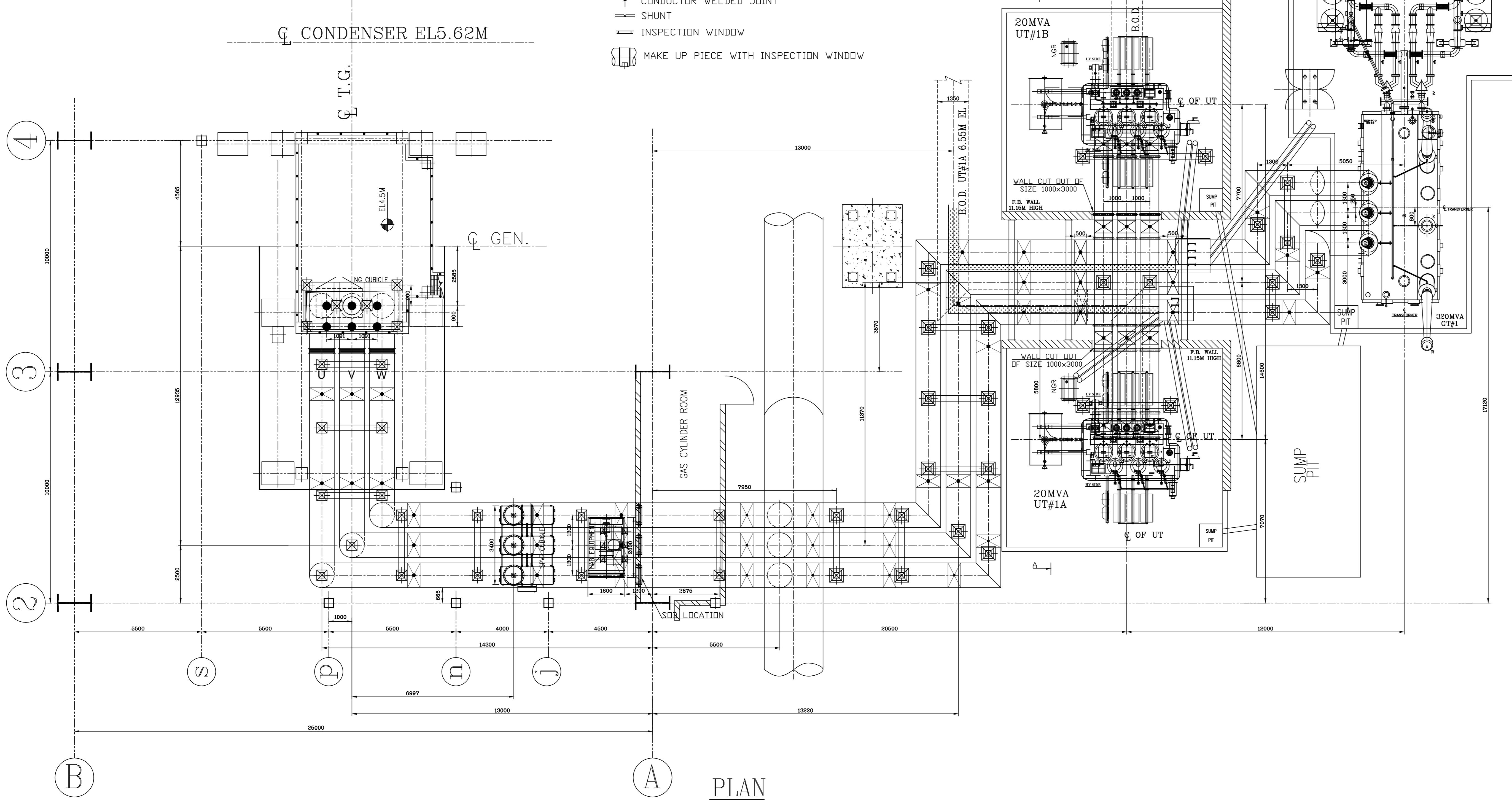


ELEVATION

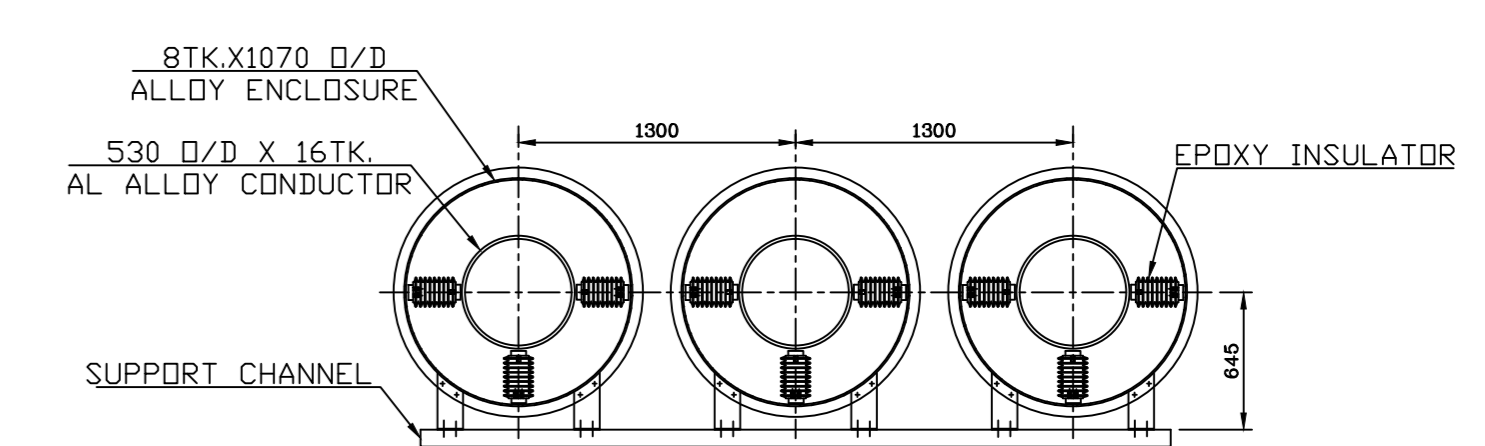


SECTION-AA

- LEGEND**
- ◀ SEAL-OFF-BUSHING
 - ▭ RUBBER BELLOW
 - ~ FLEXIBLE JOINT
 - ⚡ DISCONNECTING LINK
 - ⚡ CURRENT TRANSFORMER
 - CONDUCTOR WELDED JOINT
 - ⚡ SHUNT
 - ⚡ INSPECTION WINDOW
 - ◻ MAKE UP PIECE WITH INSPECTION WINDOW

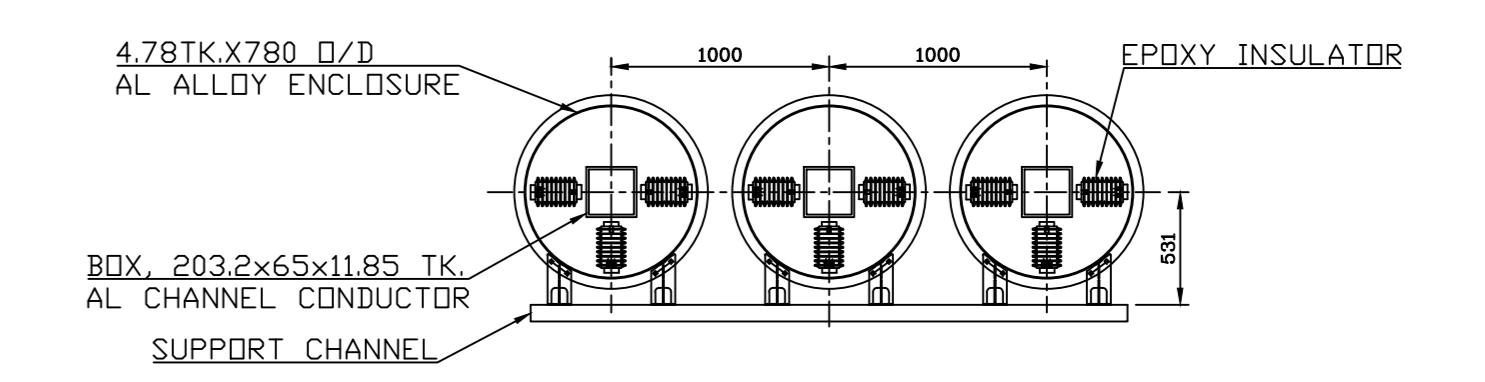


PLAN



SL. NO.	ITEM	SIZE	GRADE/IS	MATERIAL
01	ENCLASURE	8 TK. X 1070 D/D	19501 OF IS - 5082	AL ALLOY
02	CONDUCTOR	16 TK. X 530 D/D	19501 OF IS - 5082	AL ALLOY

MAIN RUN CROSS-SECTION



SL. NO.	ITEM	SIZE	GRADE/IS	MATERIAL
01	ENCLASURE	4.78 TK. X 780 D/D	31000 OF IS - 737	AL ALLOY
02	CONDUCTOR	2x203.2x11.85TK	63401 OF IS - 5082	AL ALLOY

TAP-OFF RUN CROSS-SECTION

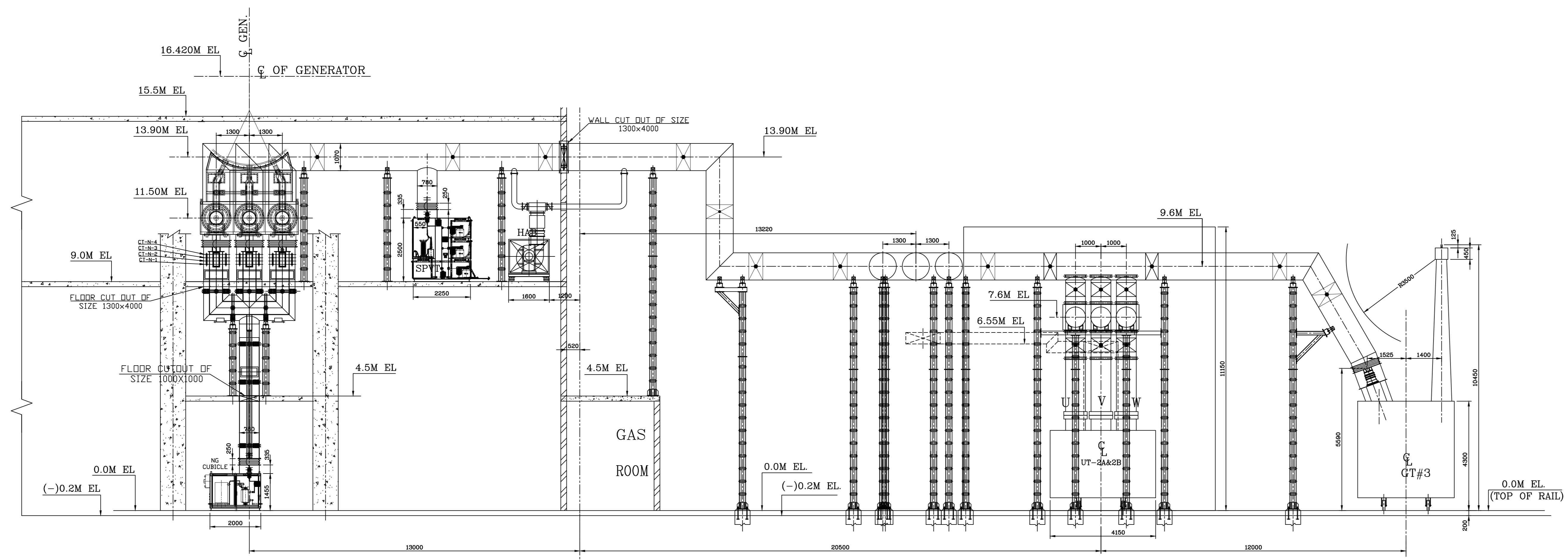
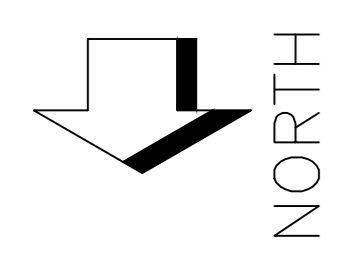
- PAINT SHADE:-**
- CONDUCTOR:-
 - a) INSIDE :- NATURAL FINISH
 - b) OUTSIDE :- MATT BLACK
 - ENCLASURE:-
 - a) INSIDE :- MATT BLACK
 - b) OUTSIDE :- LIGHT GREY (SHADE NO. 631 AS PER IS:5)

THE INFORMATION ON THIS DOCUMENT IS THE PROPERTY OF BHARAT HEAVY ELECTRICALS LIMITED. IT MUST NOT BE USED DIRECTLY OR INDIRECTLY IN ANY WAY DETRIMENTAL TO THE INTEREST OF THE COMPANY.

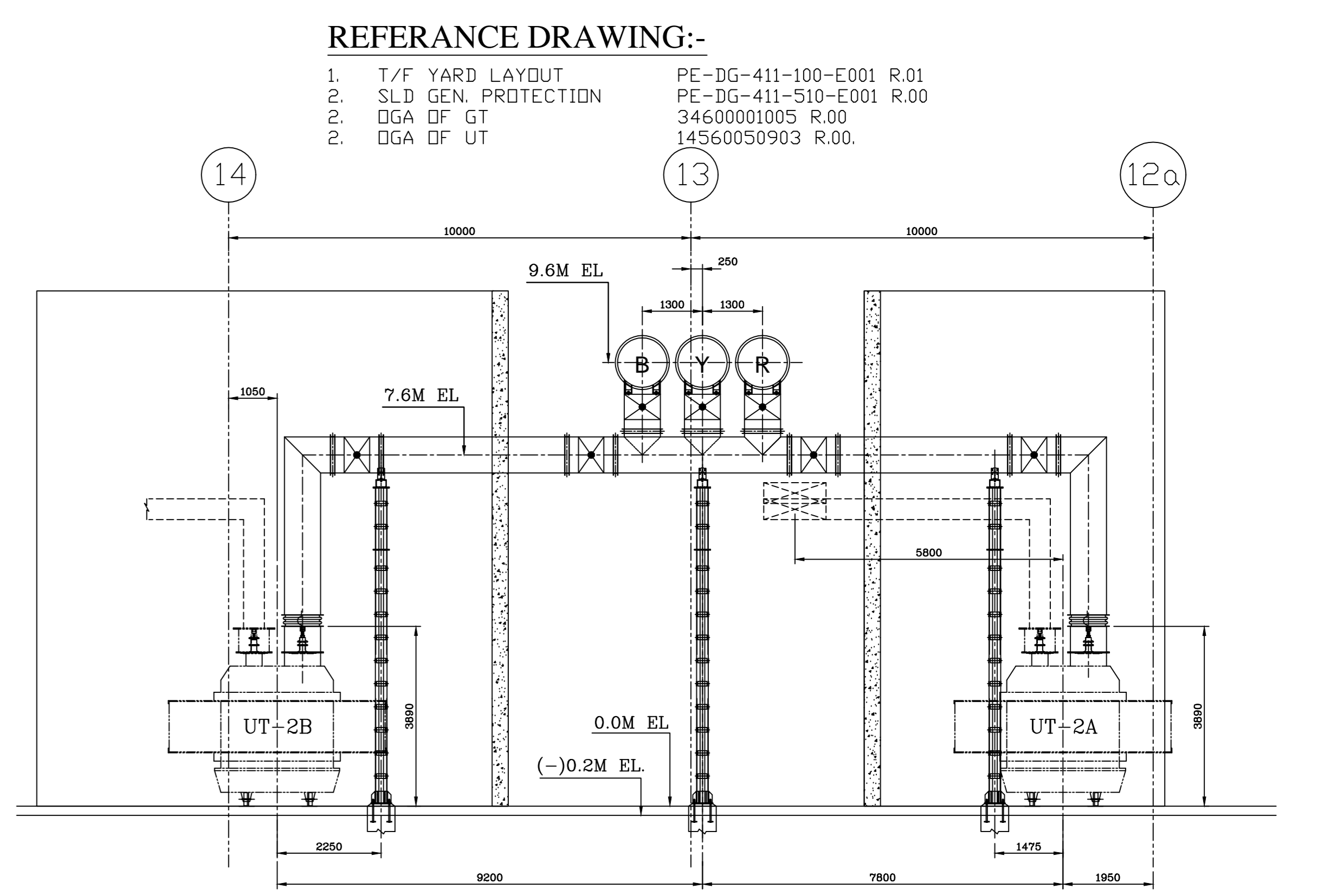
REV. DATE	ALTERED	REV. DATE	ALTERED	REV. DATE	ALTERED
	CHECKED	02/12/15	SANJAY GUPTA	01.06.10.15	CHECKED
	CHECKED		RUPEESH KUMAR		CHECKED
DRAWING REVISED DUE TO REVISION IN TRANSFORMER YARD LAYOUT REV-01.			DRAWING REVISED IN LINE WITH CUSTOMER COMMENTS VIDE LETTER No.473 Dtd. 18/09/2015.		

NAME OF CUSTOMER	TELANGANA STATE POWER GENERATION CO. LTD.
NAME OF PROJECT	4x270 MW BHADRABDI TPS
NAME OF CONSULTANT	DESIGN PRIVATE LIMITED CONSULTING ENGINEERS
DATE	10/10/15
APPRO. BY	A. MURARI
SCALE	AS SHOWN
DRAWING NO.	01801410001
SHEET NO.	01
TITLE	LAYOUT OF IP BUSDUCT FOR UNIT-I

Computer File: C:\Users\prasad\Documents\AutoCAD\IP BUSDUCT REV-02.dwg

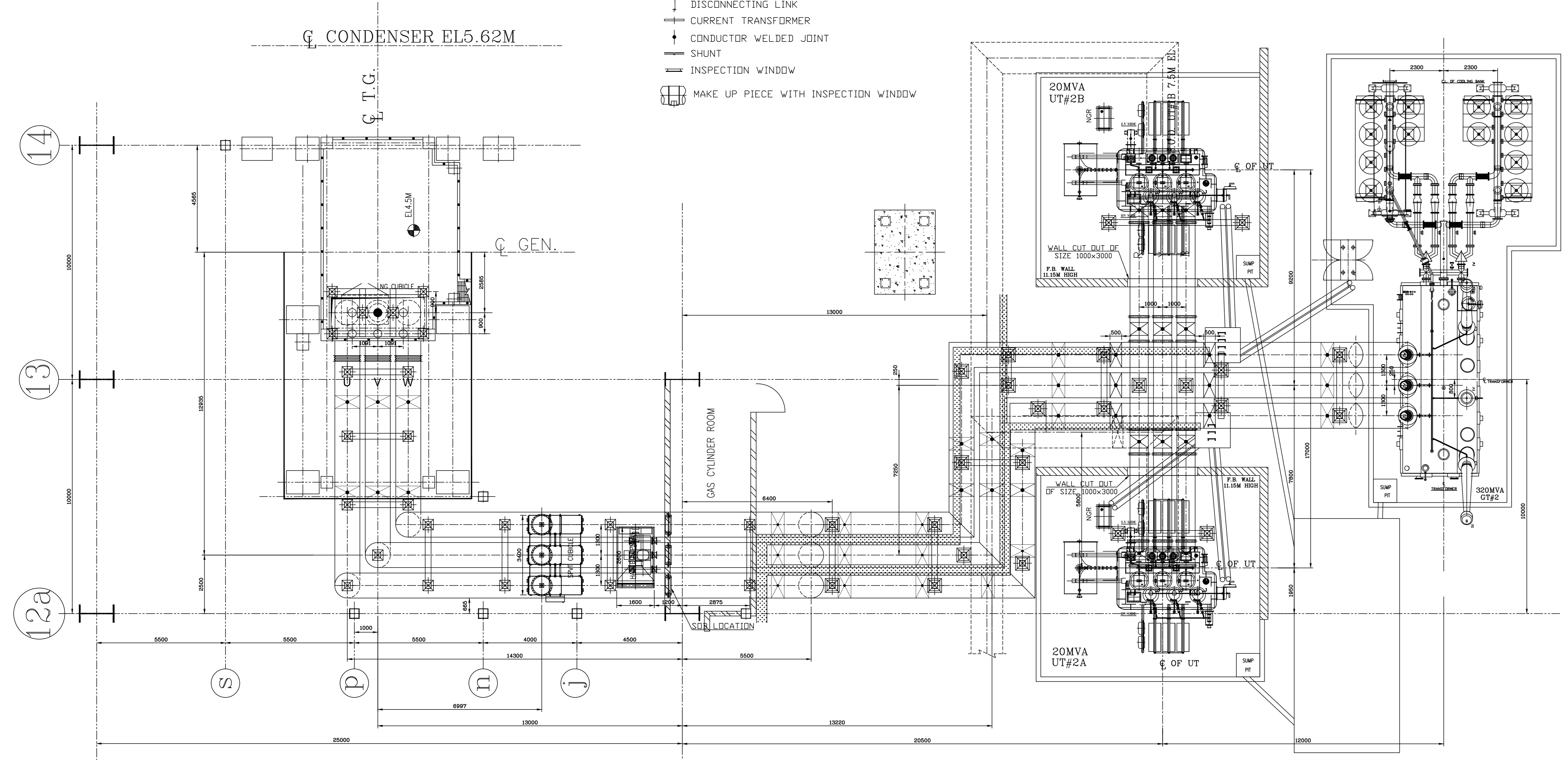


(A) ELEVATION

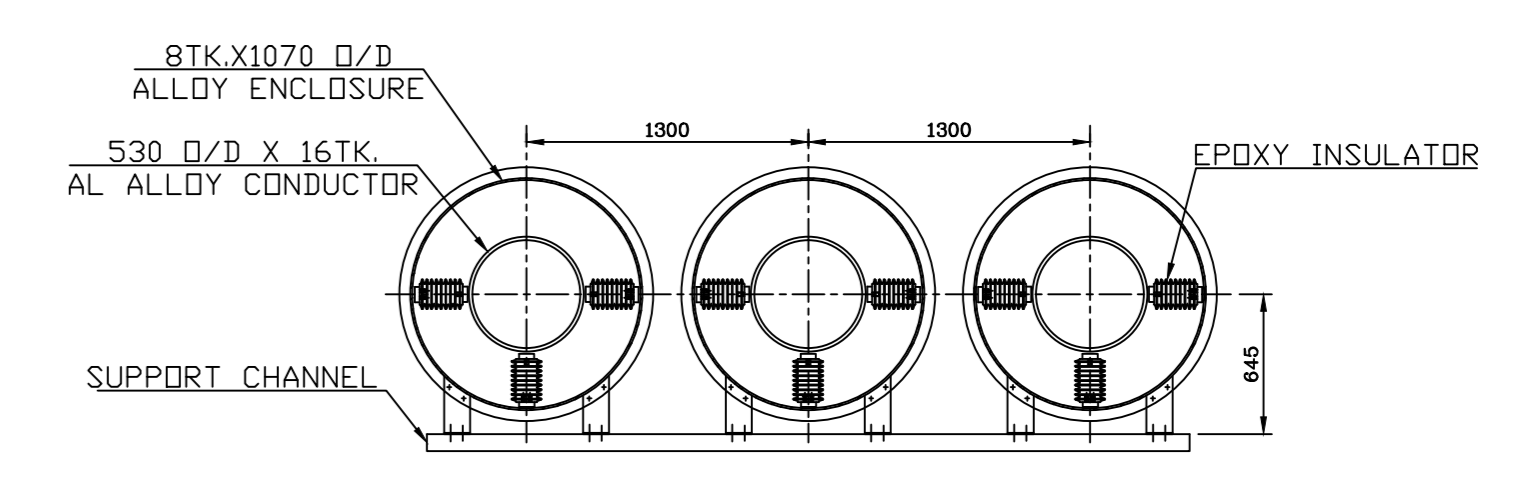


SECTION-AA

- LEGEND**
- SEAL-OFF-BUSHING
 - RUBBER BELLOW
 - FLEXIBLE JOINT
 - DISCONNECTING LINK
 - CURRENT TRANSFORMER
 - CONDUCTOR WELDED JOINT
 - SHUNT
 - INSPECTION WINDOW
 - MAKE UP PIECE WITH INSPECTION WINDOW

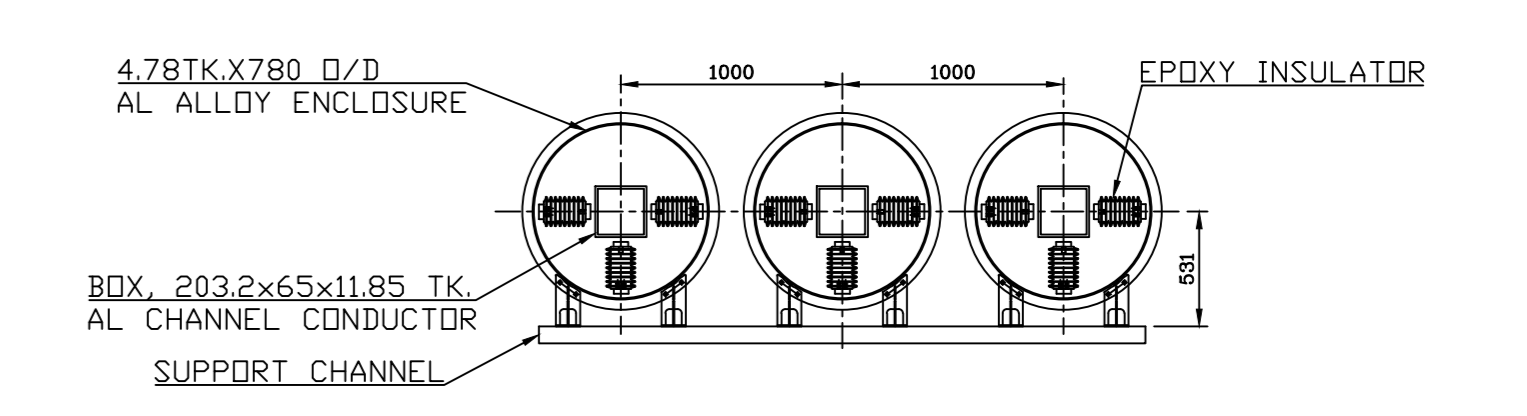


(A) PLAN



SL. NO.	ITEM	SIZE	GRADE/IS	MATERIAL
01	ENCLASURE	8 TK. X 1070 D/D	19501 DF IS - 5082	AL ALLOY
02	CONDUCTOR	16 TK. X 530 D/D	19501 DF IS - 5082	AL ALLOY

MAIN RUN CROSS-SECTION



SL. NO.	ITEM	SIZE	GRADE/IS	MATERIAL
01	ENCLASURE	4.78 TK. X 780 D/D	31000 DF IS - 737	AL ALLOY
02	CONDUCTOR	2X203.2x1185TK	63401 DF IS - 5082	AL ALLOY

TAP-OFF RUN CROSS-SECTION

- PAINT SHADE:-**
- CONDUCTOR:-
 - a) INSIDE :- NATURAL FINISH
 - b) OUTSIDE :- MATT BLACK
 - ENCLASURE:-
 - a) INSIDE :- MATT BLACK
 - b) OUTSIDE :- LIGHT GREY (SHADE NO. 631 AS PER IS:5)

REV. DATE	ALTERED	REV. DATE	ALTERED	REV. DATE	ALTERED
	CHECKED	02/12/15	SANJAY GUPTA	01/06/15	CHECKED
	CHECKED		RUPESH KUMAR		CHECKED
DRAWING REVISED DUE TO REVISION IN TRANSFORMER YARD LAYOUT REV-01.			DRAWING REVISED IN LINE WITH CUSTOMER COMMENTS IN LETTER No.473 Dtd. 18/09/2015.		

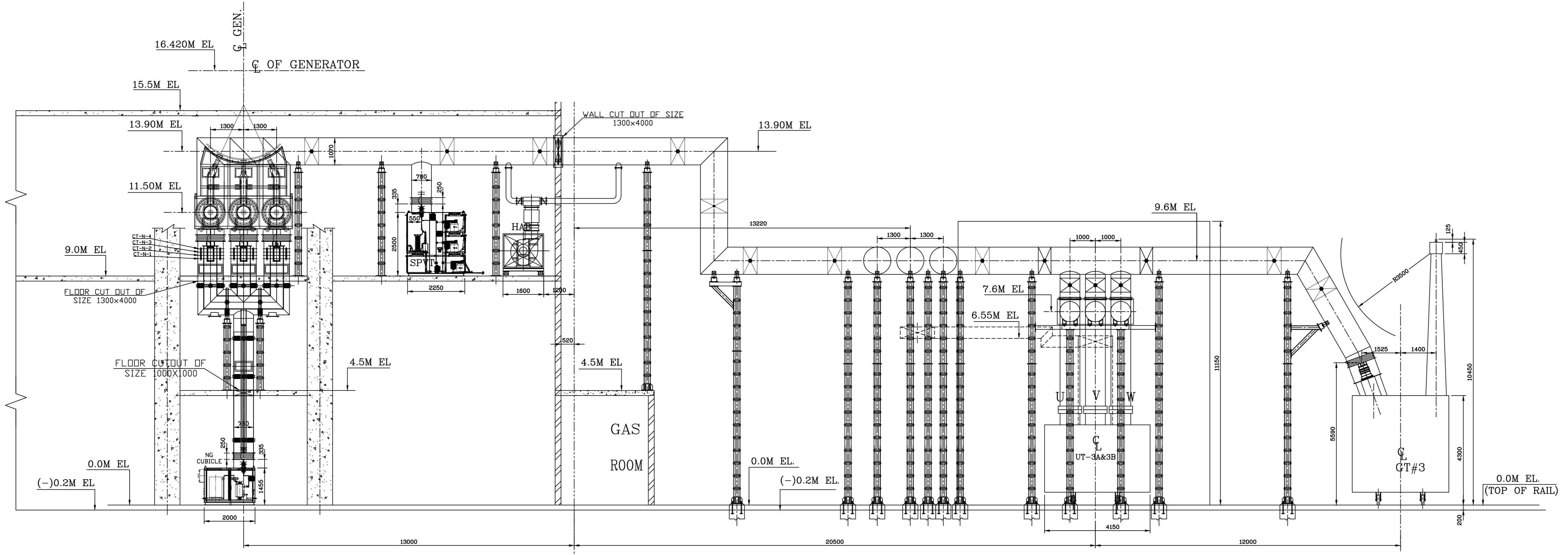
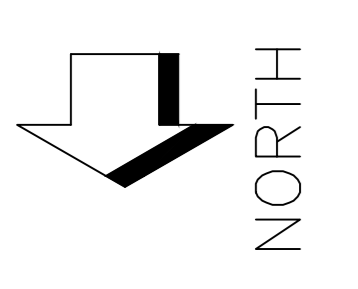
NAME OF CUSTOMER: TELANGANA STATE POWER GENERATION CO. LTD.
 NAME OF PROJECT: 4x270 MW BHADRAI TPS
 NAME OF CONSULTANT: DESIN PRIVATE LIMITED CONSULTING ENGINEERS
 NAME OF CONTRACTOR: BHARAT HEAVY ELECTRICALS LTD.
 PROJECT: RUDRAPUR

DATE: 16/10/15
 DRAWN BY: S.K. GUPTA
 CHECKED BY: A. MURARI
 APPROVED BY: RUDRAPUR

DRAWING NO: 01801410001
 SHEET NO: 02

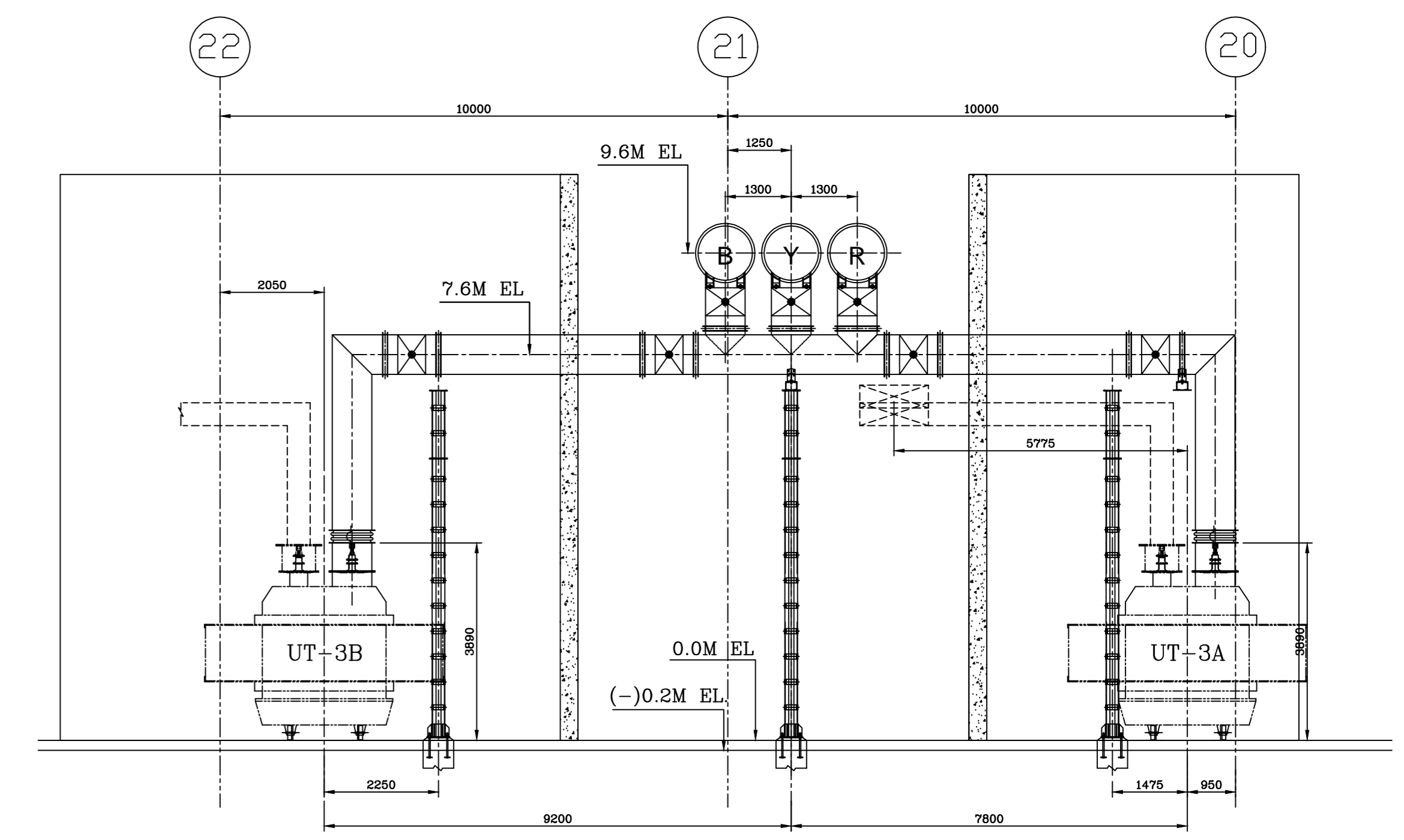
THE INFORMATION ON THIS DOCUMENT IS THE PROPERTY OF BHARAT HEAVY ELECTRICALS LIMITED. IT MUST NOT BE USED DIRECTLY OR INDIRECTLY IN ANY WAY DETRIMENTAL TO THE INTEREST OF THE COMPANY.

Computer File: C:\Users\pavan\Documents\Bharat\BHE\01801410001.dwg



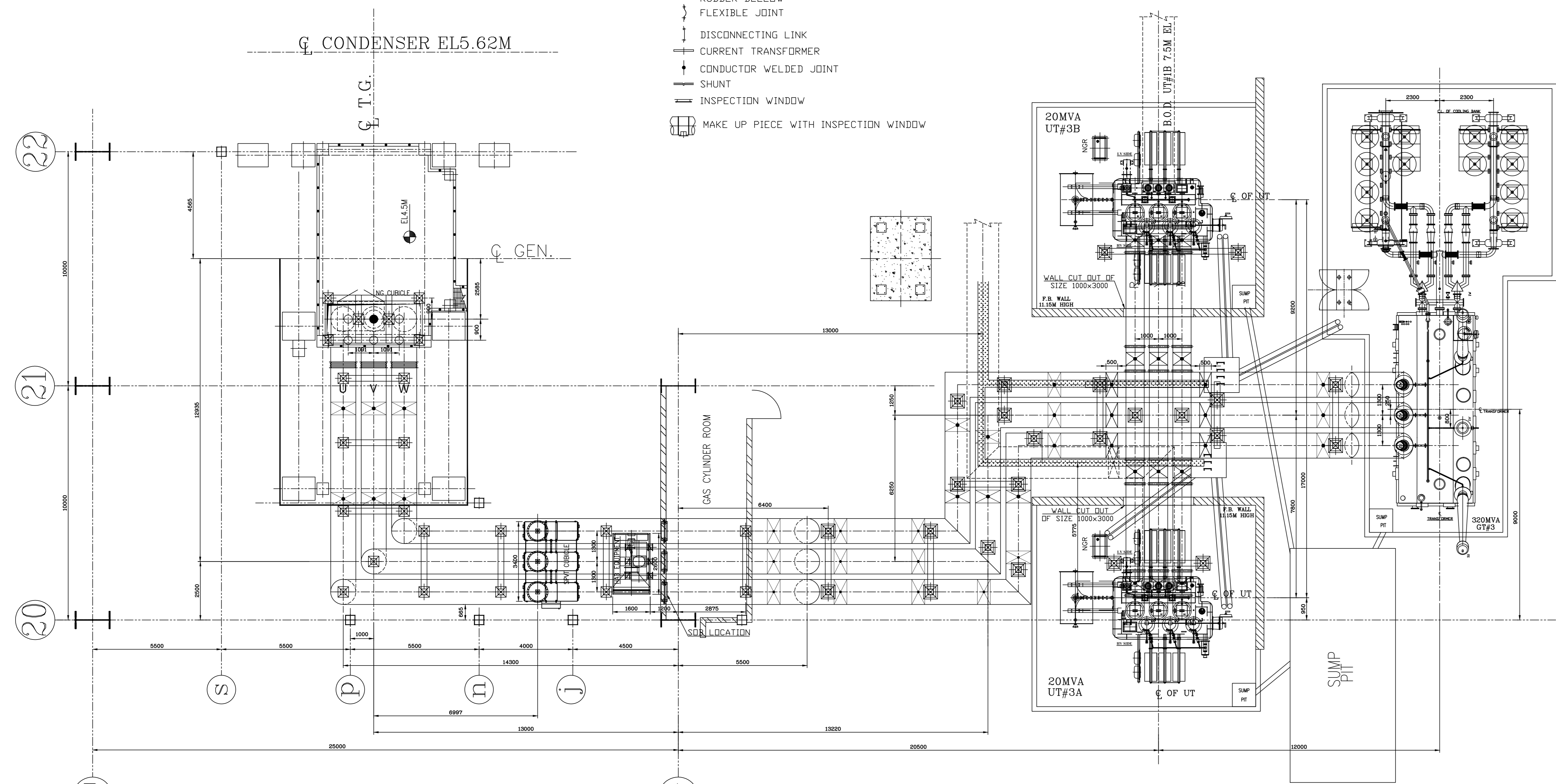
(A) ELEVATION

REFERENCE DRAWING:-
 1. T/F YARD LAYOUT PE-DG-411-100-E001 R.01
 2. SLD GEN. PROTECTION PE-DG-411-510-E001 R.00
 3. DGA OF GT 3460001005 R.00
 4. DGA OF UT 14560050903 R.00

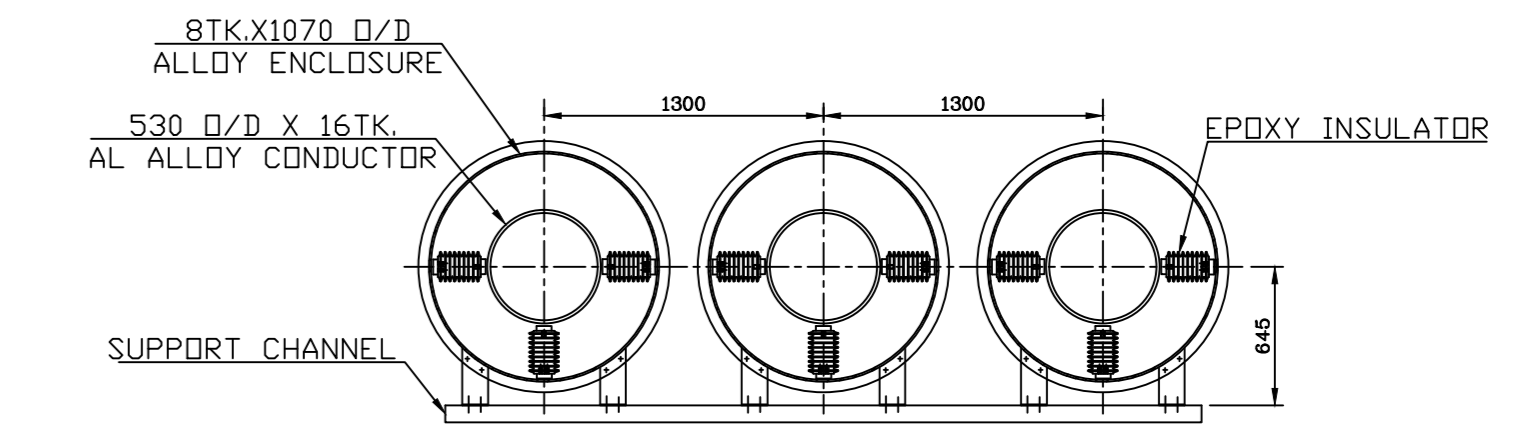


SECTION-AA

- LEGEND**
- SEAL-OFF-BUSHING
 - RUBBER BELLOW
 - FLEXIBLE JOINT
 - DISCONNECTING LINK
 - CURRENT TRANSFORMER
 - CONDUCTOR WELDED JOINT
 - SHUNT
 - INSPECTION WINDOW
 - MAKE UP PIECE WITH INSPECTION WINDOW

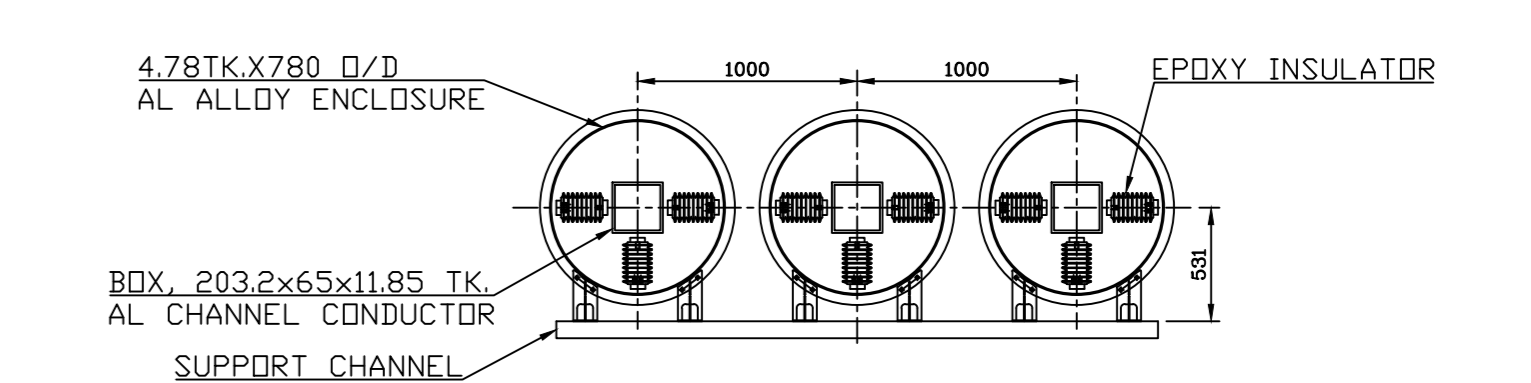


(A) PLAN



SL. NO.	ITEM	SIZE	GRADE/IS	MATERIAL
01	ENCLOSURE	8 TK. X 1070 D/D	39501 DP IS - 5082	AL. ALLOY
02	CONDUCTOR	16 TK. X 530 D/D	39501 DP IS - 5082	AL. ALLOY

MAIN RUN CROSS-SECTION



SL. NO.	ITEM	SIZE	GRADE/IS	MATERIAL
01	ENCLOSURE	4.78 TK. X 780 D/D	31000 DP IS - 737	AL. ALLOY
02	CONDUCTOR	2X203.2x1195TK.	63401 DP IS - 5082	AL. ALLOY

TAP-OFF RUN CROSS-SECTION

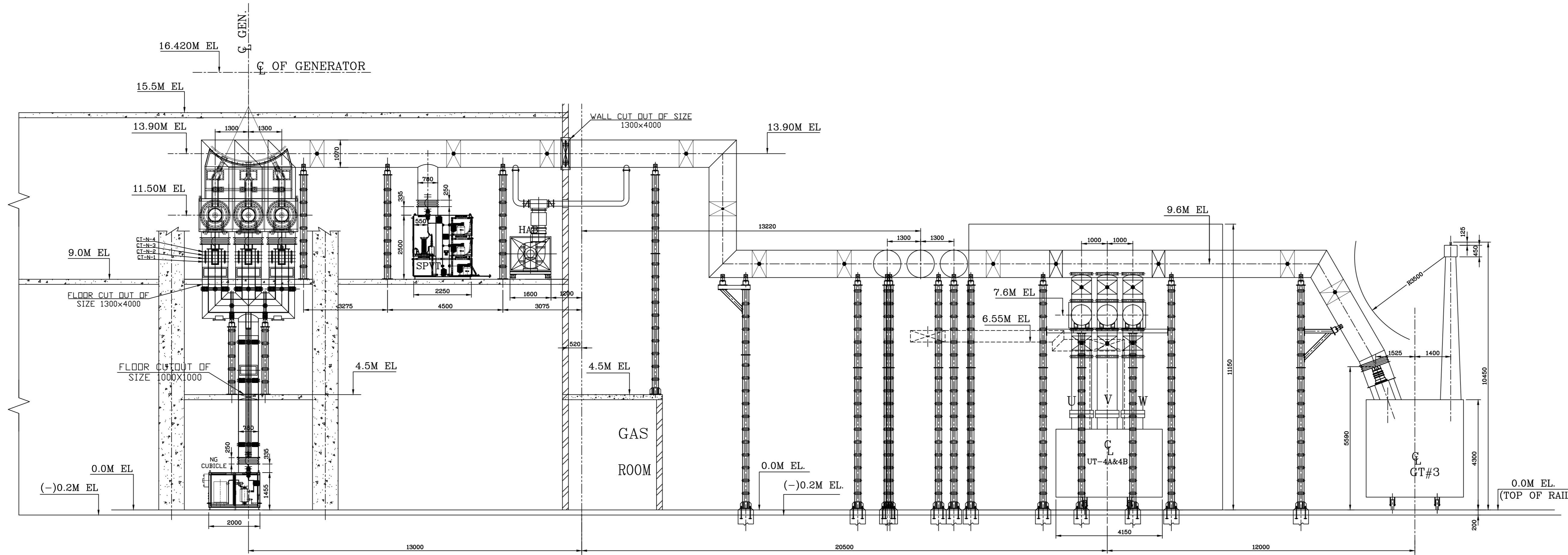
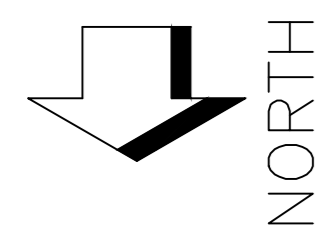
- PAINT SHADE:-**
- CONDUCTOR:-
 - a) INSIDE :- NATURAL FINISH
 - b) OUTSIDE :- MATT BLACK
 - ENCLOSURE:-
 - a) INSIDE :- MATT BLACK
 - b) OUTSIDE :- LIGHT GREY (SHADE NO. 631 AS PER IS)

THE INFORMATION ON THIS DOCUMENT IS THE PROPERTY OF BHARAT HEAVY ELECTRICALS LIMITED. IT MUST NOT BE USED DIRECTLY OR INDIRECTLY IN ANY WAY DETRIMENTAL TO THE INTEREST OF THE COMPANY.

REV. DATE	ALTERED	REV. DATE	ALTERED	REV. DATE	ALTERED
	CHECKED	02/12/15	SANJAY GUPTA	01/06/15	CHECKED
	CHECKED		RUPESH KUMAR		CHECKED
DRAWING REVISED DUE TO REVISION IN TRANSFORMER YARD LAYOUT REV-01.			DRAWING REVISED IN LINE WITH CUSTOMER COMMENTS VIDE LETTER No.473 Dtd. 18/09/2015.		

NAME OF CUSTOMER: TELANGANA STATE POWER GENERATION CO. LTD.
 NAME OF PROJECT: 4x270 MW BHADRADI TPS
 NAME OF CONSULTANT: DESIN PRIVATE LIMITED CONSULTING ENGINEERS
 BHARAT HEAVY ELECTRICALS LTD. RUDRAPUR
 DRAWING NO: 01801410001
 SHEET NO: 03 NO. OF SHEET: 04

Computer File: H:_new\15\150915\03.dwg

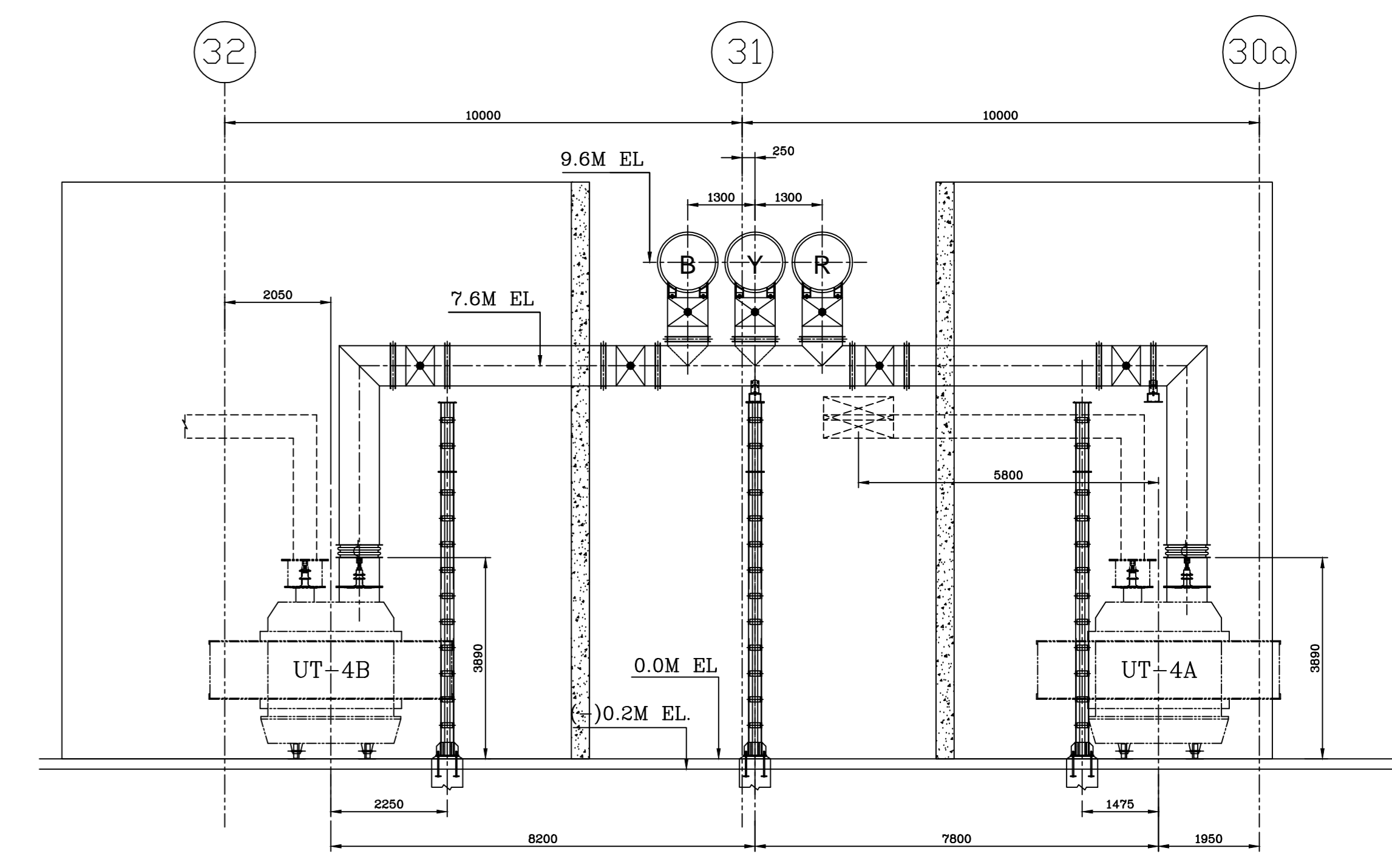


A ELEVATION

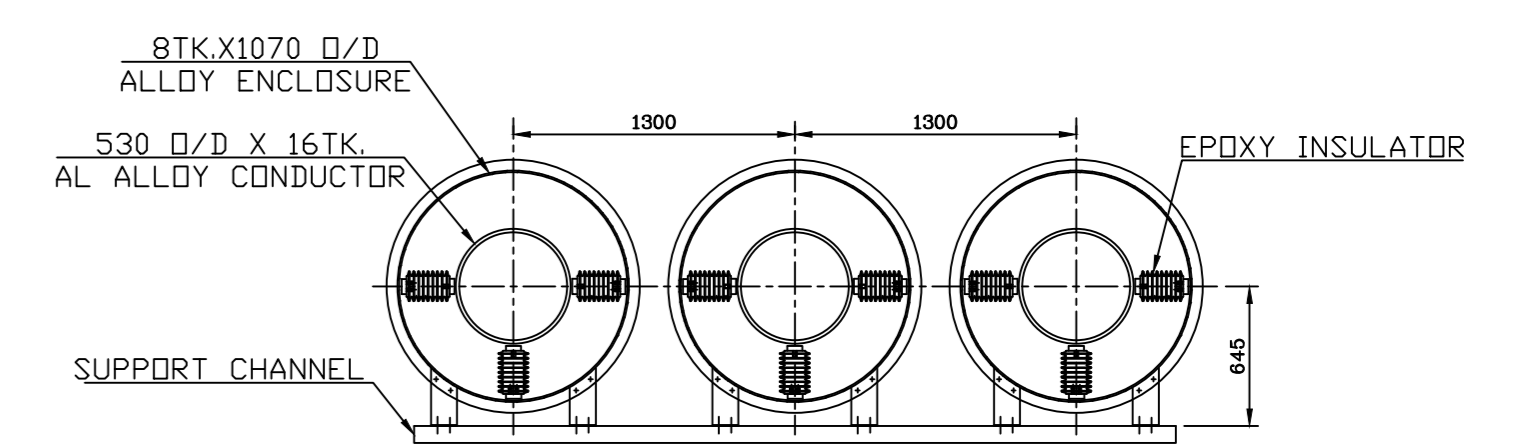
- LEGEND**
- ◀ SEAL-OFF-BUSHING
 - ▭ RUBBER BELLDW
 - ~ FLEXIBLE JOINT
 - ⌋ DISCONNECTING LINK
 - ⚡ CURRENT TRANSFORMER
 - ⌋ CONDUCTOR WELDED JOINT
 - SHUNT
 - ⌋ INSPECTION WINDOW
 - ◻ MAKE UP PIECE WITH INSPECTION WINDOW

REFERENCE DRAWING:-

1. T/F YARD LAYOUT	PE-DG-411-100-E001 R.01
2. SLD GEN PROTECTION	PE-DG-411-510-E001 R.00
2. OGA OF GT	3460001005 R.00
2. OGA OF UT	14560050903 R.00.

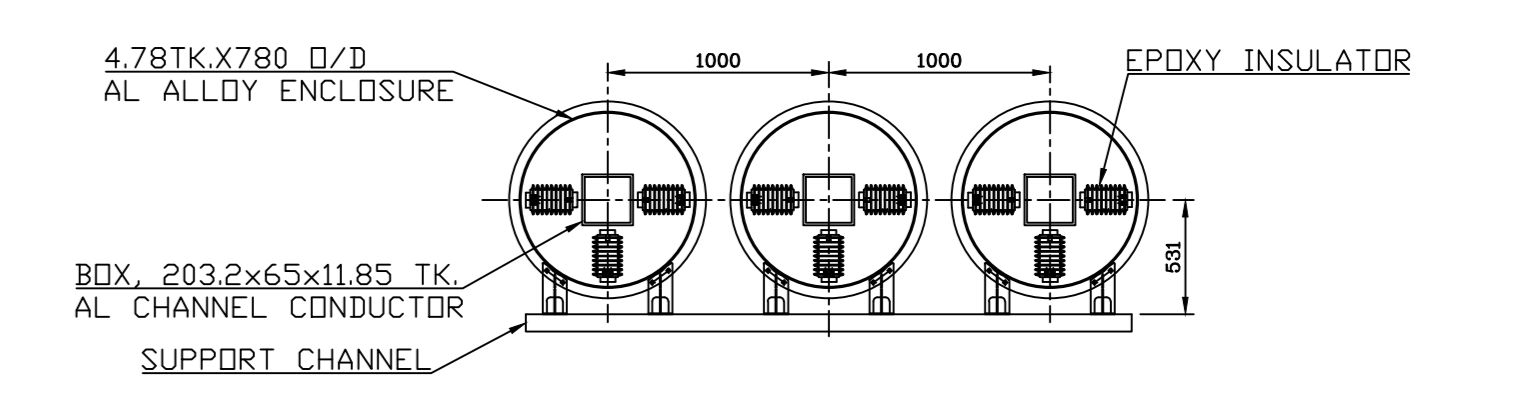


SECTION-AA



SL NO.	ITEM	SIZE	GRADE/IS	MATERIAL
01	ENCLOSURE	8 TK. X 1070 D/D	19501 DF IS - 5082	AL ALLOY
02	CONDUCTOR	16 TK. X 530 D/D	19501 DF IS - 5082	AL ALLOY

MAIN RUN CROSS-SECTION

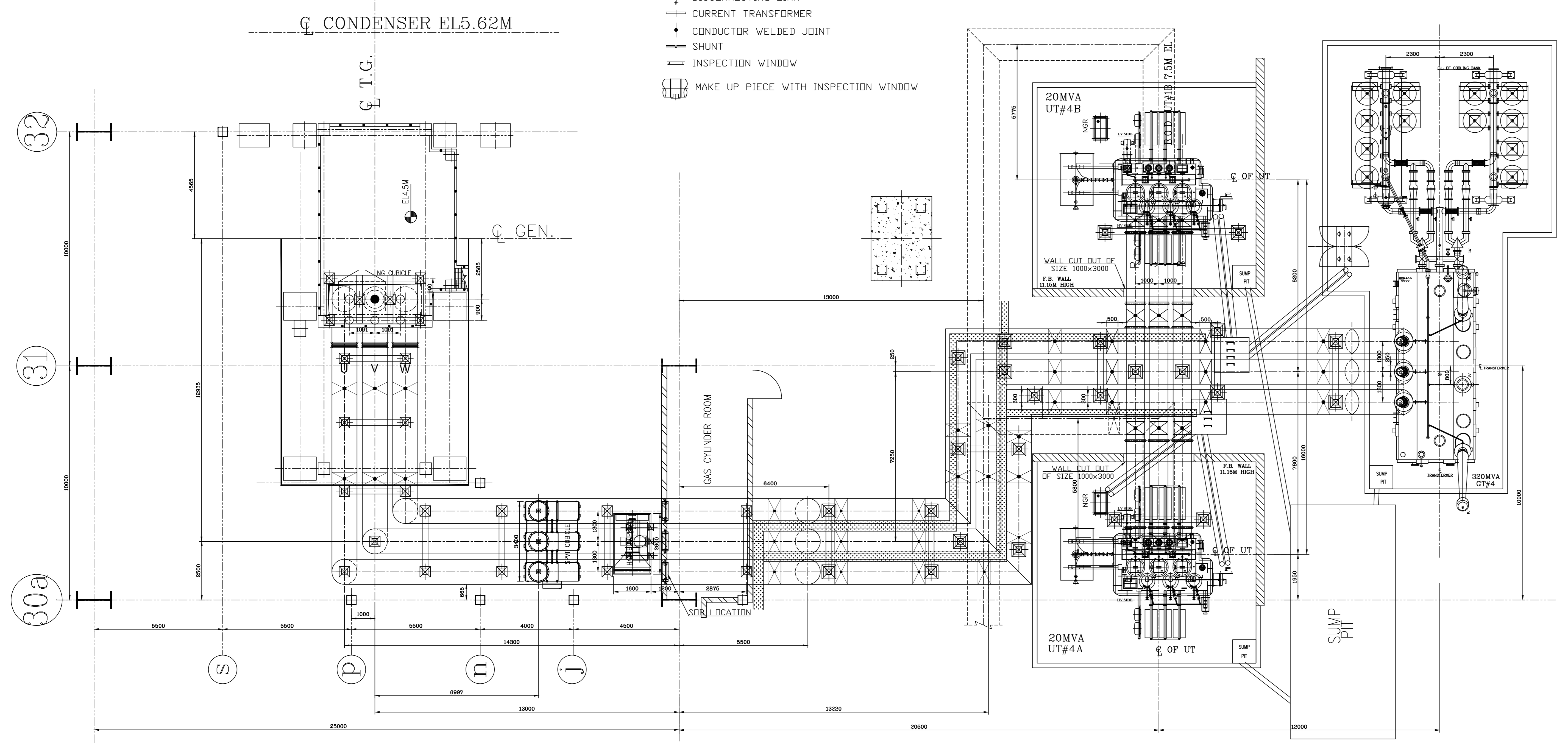


SL NO.	ITEM	SIZE	GRADE/IS	MATERIAL
01	ENCLOSURE	4.78 TK. X 780 D/D	31000 DF IS - 737	AL ALLOY
02	CONDUCTOR	2X203.2x11.85TK.	63401 DF IS - 5082	AL ALLOY

TAP-OFF RUN CROSS-SECTION

PAINT SHADE:-

- CONDUCTOR:-
 - a) INSIDE :- NATURAL FINISH
 - b) OUTSIDE :- MATT BLACK
- ENCLOSURE:-
 - a) INSIDE :- MATT BLACK
 - b) OUTSIDE :- LIGHT GREY (SHADE NO. 631 AS PER IS:5)



A PLAN

REV. DATE	ALTERED	REV. DATE	ALTERED	REV. DATE	ALTERED
	CHECKED	02/12/15	SANJAY GUPTA	01/06/15	CHECKED
			RUDESH KUMAR		
DRAWING REVISED DUE TO REVISION IN TRANSFORMER YARD LAYOUT REV-01.			DRAWING REVISED INLINE WITH CUSTOMER COMMENTS VIDE LETTER No.473 Dtd. 18/09/2015.		

NAME OF CUSTOMER: TELANGANA STATE POWER GENERATION CO. Ltd.
 NAME OF PROJECT: 4x270 MW BHADRADI TPS
 NAME OF CONSULTANT: DESIGN PRIVATE LIMITED CONSULTING ENGINEERS
 NAME OF CONTRACTOR: BHARAT HEAVY ELECTRICALS LTD.
 NAME OF SUB-CONTRACTOR: RUDRAPUR

DATE: 10/10/15
 CHECKED: S.K.GUPTA
 APPROVED: A. MERRAN
 SCALE: WEIGHTS/PROG. REF. TO ASST. ENGR.
 SHEET NO. 04 OF 04
 DRAWING NO. 01801410001
 TITLE: LAYOUT OF IP BUSDUCT FOR UNIT-IV

THE INFORMATION ON THIS DOCUMENT IS THE PROPERTY OF BHARAT HEAVY ELECTRICALS LIMITED. IT MUST NOT BE USED DIRECTLY OR INDIRECTLY IN ANY WAY DETRIMENTAL TO THE INTEREST OF THE COMPANY.

Computer File: C:\Users\prasad\Documents\Bharat\BHE\IP Busduct\IP Busduct.dwg