

105-213



GRAVIMETRIC FEEDER
SPECIFICATION FOR
'O' RING

SPEC. NO. **GF-028** REV. **01**

MAT'L CODE : 96-424-068 / FEEDER SIZE : 36"
No. OFF / FEEDER : 2 . LOCATION : 65-736
(WEIGH SENSING SYSTEM)

DESCRIPTION : "O"-RING

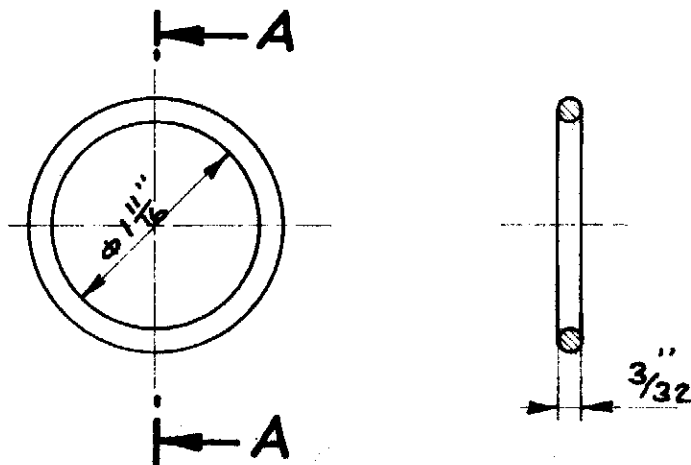
NOMINAL DIMENSION : I.D. $1\frac{1}{16}$ " x $\frac{3}{32}$ " (CIRCULAR CROSS SECTION)

ACTUAL DIMENSION : 42.85 ± 0.25 x 2.62 ± 0.08 \triangle_{01}

MATERIAL : NITRILE RUBBER

SHORE HARDNESS : 70 ± 2 SHORE 'A'

SPECIFIC GRAVITY : 1.35



SECTION-AA

NOTE : THE MANUFACTURER SHALL PROVIDE THE DETAILS REGARDING
MANUFACTURING DATE AND SHELF LIFE OF THE PRODUCT.

173

N/S STOCK PART NO. 101-X639

UNLESS OTHERWISE SPECIFIED
ALL DIMENSIONS ARE IN MM.

REV. 01 DATE: 17-11-93	ALTD.	CHD.	APPD.	MILLS & FEEDERS	SH. NO 01
TOLERANCES & NOTE ADDED	<i>D. K. R.</i>	<i>del R. S.</i>	<i>[Signature]</i>		
PREPARED	NAME	SIGN	DATE	MILLS & FEEDERS	SH. NO 01
CHECKED	D. K. R.	<i>D. K. R.</i>	18-4-88		
APPROVED	M. A. S.	<i>M. A. S.</i>	22-4-88		