

TITLE SHEET

**SPECIFICATION FOR
AIR FILTER WITH END FITTINGS
(For Feeder Outlet Isolation Gates)**

Specification No. : GF-131 MATERIAL CODE: 96425018000 Revision No.:01
PGMA : 67-283

01	06.02.2002	Specification revamped	
00	12.02.1990	First Release	-Sd-
Rev. No.	Date	Revision Statement	Checked & Approved

	Name	Signature	Date
Prepared	S.Manivannan		
Checked	S.Selvaraju		
Approved	S.V.Sivaramulu		



**Specification for
AIR FILTER WITH END
FITTINGS**

**Spec. No.
GF-131**

Page
2/ 2

Location : PG-MA : 67 – 283 (Feeder Outlet Isolation Gates)
Qty per gate : One

Description : Filter For Compressed / Instrument Air Filtering.

Application : Used to filter air for air cylinder in Raw coal feeder application in dusty, heavily polluted, corrosive atmosphere.

Operating air pressure : 5 – 7 kg/cm²

Operating Temperature : 50°C.

Pipe Size : ¾” OD Copper Tube

Mounting : Suitable for line mounting.

End Fittings : Suitable end fittings on both sides to suit ¾” OD copper tubes to be supplied with filter.

Filter Element size : 25 Microns.

Drain : Suitable manual drain to be provided.

Material and Construction:-

- a. Body : Die cast Aluminium or Aluminium alloy.
- b. Bowl : Clear Plastic , Transparent Poly Carbonate, shatter proof.

Spares : Commissioning spares and O&M Spares for two years trouble free operation to be also supplied with filter.

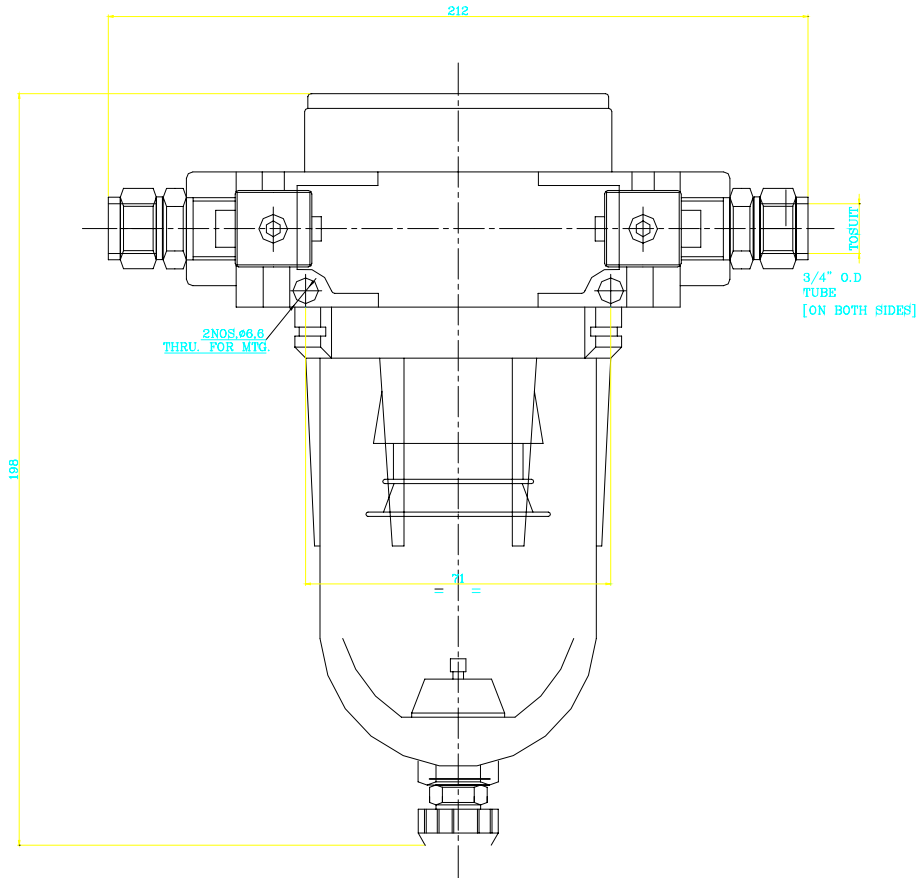
Packing : Each Equipment shall be wrapped individually in a bubbled polythene sheet and packed in a thermo Cole box along with mounting accessories. Such boxes shall be packed in a carton or case with adequate cushioning material.



Specification for
**AIR FILTER WITH END
FITTINGS**

Spec. No.
GF-131

Page
3/ 3



Note:

*Figure shown is typical. Supplier can submit their own
Design / G.A. subject to purchaser's approval.*