
 BHEL Tenders		Government eProcurement System			
Tender Details					
Date : 12-May-2022 10:15 AM					
 Print					
Basic Details					
Organisation Chain	Bharat Heavy Electricals Limited CFFP - Haridwar CFFP				
Tender Reference Number	202102681				
Tender ID	2022_BHEL_12193_1				
Tender Type	Open Tender	Form of contract	Buy		
Tender Category	Goods	No. of Covers	2		
General Technical Evaluation Allowed	No	ItemWise Technical Evaluation Allowed	No		
Payment Mode	Not Applicable	Is Multi Currency Allowed For BOQ	No		
Is Multi Currency Allowed For Fee	No	Allow Two Stage Bidding	No		
Cover Details, No. Of Covers - 2					
Cover No	Cover	Document Type	Description		
1	Fee/PreQual/Technical	.pdf	Techno Commercial Bid		
		.pdf	Drawaing		
		.pdf	Terms and Conditions		
2	Finance	.xls	Price Bid (BOQ)		
Tender Fee Details, [Total Fee in ₹ * - 0.00]			EMD Fee Details		
Tender Fee in ₹	0.00		EMD Amount in ₹	0.00	EMD through BG/ST or EMD Exemption Allowed
Fee Payable To	Nil	Fee Payable At	Nil		No
Tender Fee Exemption Allowed	No		EMD Fee Type	fixed	EMD Percentage
			EMD Payable To	Nil	EMD Payable At
					NA
					Nil
Click to view modification history					
Work /Item(s)					
Title	HRC FUSE				
Work Description	HRC FUSE				
Pre Qualification Details	Please refer Tender documents.				
Independent External Monitor/Remarks	NA				
Show Tender Value in Public Domain	Yes				
Tender Value in ₹	5,00,000	Product Category	Electrical Work/ Equipment	Sub category	NA
Contract Type	Tender	Bid Validity(Days)	90	Period Of Work (Days)	60
Location	CFFP BHEL STORES, HARIDWAR	Pincode	249403	Pre Bid Meeting Place	NA
Pre Bid Meeting Address	NA	Pre Bid Meeting Date	NA	Bid Opening Place	CFFP BHEL HARIDWAR
Should Allow NDA Tender	No	Allow Preferential Bidder	No		

Critical Dates			
Publish Date	12-May-2022 11:00 AM	Bid Opening Date	23-May-2022 04:00 PM
Document Download / Sale Start Date	12-May-2022 11:05 AM	Document Download / Sale End Date	23-May-2022 11:30 AM
Clarification Start Date	NA	Clarification End Date	NA
Bid Submission Start Date	12-May-2022 11:10 AM	Bid Submission End Date	23-May-2022 11:30 AM

Tender Documents					
NIT Document	S.No	Document Name	Description	Document Size (in KB)	
	1	Tendernotice_1.pdf	Techno Commercial Bid	522.44	
	2	Tendernotice_2.pdf	Drawing	284.37	
	3	Tendernotice_3.pdf	Terms and Conditions	246.54	
Work Item Documents	S.No	Document Type	Document Name	Description	Document Size (in KB)
	1	BOQ	BOQ_12873.xls	Price Bid (BOQ)	258.00

Bid Openers List			
S.No	Bid Opener Login Id	Bid Opener Name	Certificate Name
1.	rajesh.kur@bhel.in	Rajesh Kumar	RAJESH KUMAR
2.	hkjena@bhel.in	Hemant Kumar Jena	HEMANTA KUMAR JENA
3.	aktailor@bhel.in	Amit Kumar Tailor	AMIT KUMAR TAILOR
4.	arpitg@bhel.in	Arpit Gupta	ARPIT GUPTA

GeMARPTS Details	
GeMARPTS ID	CMX570EOT8ZO
Description	RC FUSE
Report Initiated On	25-Apr-2022
Valid Until	25-May-2022

Tender Properties			
Auto Tendering Process allowed	No	Show Technical bid status	Yes
Show Finance bid status	Yes	Show Bids Details	Yes
BoQ Comparative Chart model	Normal	BoQ Compative chart decimal places	3
BoQ Comparative Chart Rank Type	L	Form Based BoQ	No

Tender Inviting Authority	
Name	Vinay Kumar Singh
Address	CFFP BHEL, HARIDWAR, U.K. -249403

Tender Creator Details	
Created By	Arpit Gupta
Designation	Deputy Manager
Created Date	11-May-2022 11:16 AM



BHARAT HEAVY ELECTRICALS LIMITED
CENTRAL FOUNDRY FORGE PLANT
Purchase Department (Materials Management)
Ranipur, Haridwar-249403 (Uttarakhand)

Tender Reference No.	Tender ID:2022_BHEL_12193_1
Item Description	HRC FUSE FOR 440VAC, ON/OFF ROTARY TYPE POWER CONTROL SWITCH.
Vendor Name	
Quotation Reference No.	
Currency	INR

Techno –Commercial Bid Details

S. No.	Description	Vendor Remarks
1.	Dispatch mode (Road/Rail/Air/Sea)	
2.	Origin of Dispatch	
3.	Validity of the Offer (90 Days Min. excluding tender opening date)	
4.	Prices shall be firm till execution of Order	
5.	PAYMENT TERMS: (Standard payment term is: 100% within 45 days after receipt subject to acceptance of material at CFFP / BHEL, Haridwar through e-payment. In case other payment term is quoted by vendor, proper loading shall be done. Base rate of SBI (as applicable on the date of bid opening: Techno commercial bid opening in case of two part bids) + 6%, shall be considered for loading for the period of relaxation sought by bidders.)	Agreed / comments
6.	ORDER TO BE PLACED ON	
7.	Delivery Schedule: 60 days from PO date. Early delivery is also acceptable.	Agreed / comments
8.	Penalty for Late Delivery: The delivery of the goods shall be made strictly as per time limit specified in delivery schedule of purchase order, failure to supply within this period will make the supplier liable to penalty of 1/2 (half) percent of the price of the goods in arrears per week subject to a maximum of 10%. In case LD clause is not agreed for full 10%, mention same in text field for agreed %age. Your offer shall be loaded for the un-agreed part (out of 10%). If deviation in penalty for late delivery then please specify.	Agreed / comments
9.	Risk Purchase: In case of delayed/defective supplies or non- fulfillment of any other terms & conditions given in the Purchase Order, the purchaser may cancel the purchase order in full or part thereof and may also make the purchase of such material at the risk & cost of supplier. In case of non- agreement of this term your offer shall not be considered.	Agreed / comments
10.	Splitting will be based on MSE clause 23 of General Terms & Condition: For Indian Bidders (Version February-2022, Rev: 08)	Agreed / comments
11.	CFFP/BHEL reserves the right to order part quantity.	Agreed / comments
12.	Final inspection will be done at CFFP BHEL Stores.	Agreed / comments
13.	Guarantee Certificate against manufacturing defect is required for 1 year from date of supply of material.	



BHARAT HEAVY ELECTRICALS LIMITED
CENTRAL FOUNDRY FORGE PLANT
Purchase Department (Materials Management)
Ranipur, Haridwar-249403 (Uttarakhand)

Tender Reference No.	Tender ID:2022_BHEL_12193_1
Item Description	HRC FUSE FOR 440VAC, ON/OFF ROTARY TYPE POWER CONTROL SWITCH.
Vendor Name	
Quotation Reference No.	
Currency	INR

14.	Test certificate is required.	
15.	Are you registered under MSE? If yes, please send the copy of Udyog Aadhar Memorandum or Udyam Certificate. Please provide the same	
16.	Is MSE owned by SC/ST. If yes, attach copy of certificate.	
17.	CONTACT PERSON NAME	
18.	CONTACT EMAIL ADDRESSES	
19.	CONTACT MOBILE NOS.	
20.	Delivery Terms (Door Delivery CFFP Stores)	
21.	Read attached general Instruction & Standard terms & condition (GISTC)	
22.	In case of any difference in conditions quoted above & elsewhere in the offer, terms quoted above shall be treated as final and binding on vendor.	
23.	<p>Tie Breaker Clause: In the course of evaluation, if more than one bidder happens to occupy L1 status, effective L1 will be decided by soliciting discounts from the respective L1 bidders.</p> <p>In case more than one bidder happens to occupy the L1 status even after soliciting discounts, the L1 bidder shall be decided by a toss/draw of lots, in the presence of the respective L1 bidder(s) or the representative(s).</p> <p>Ranking will be done accordingly. BHEL's decision in such situations shall be final and binding.</p>	
24.	All other terms & conditions not mentioned above, are as per General Terms & condition for Indian Bidders (Version February-2022, Rev: 08) .	
25.	For new vendors not registered with us, kindly furnish copy of following documents: a. Company Name and Address Proof. b. GST Number (Scan Copy of Acknowledgement) c. PAN Copy d. MSME Certificate (UAN, Udyam if Any) e. Bank certified EFT Mandate and cancelled cheque	
26.	Only Siemens, L&T, GE & ABB make acceptable for all items. (Bidder to mention the offered make)	



BHARAT HEAVY ELECTRICALS LIMITED
CENTRAL FOUNDRY FORGE PLANT
Purchase Department (Materials Management)
Ranipur, Haridwar-249403 (Uttarakhand)

Tender Reference No.	Tender ID:2022_BHEL_12193_1
Item Description	HRC FUSE FOR 440VAC, ON/OFF ROTARY TYPE POWER CONTROL SWITCH.
Vendor Name	
Quotation Reference No.	
Currency	INR

Unpriced Bid Details (to submitted with Techno Commercial Bid)

RFQ Item	1	2	3
Material Code	FF8539240173	FF8539240190	FF8539240203
Item Name	HRC FUSE FOR 440VAC, 50HZ. CONFIRMING TO IS:13703-1993 SIZE: 20A, SIZE-00, DIN TYPE	HRC FUSE FOR 440VAC, 50HZ. CONFIRMING TO IS:13703-1993 SIZE: 32A, SIZE-00, DIN TYPE	HRC FUSE FOR 440VAC, 50HZ. CONFIRMING TO IS:13703-1993 SIZE: 50A, SIZE-00, DIN TYPE
Enquired Quantity	2 No	20 No	15 No
Offered Quantity			
Confirmation to supply the material as per BHEL CFFP Spec.			
Freight/ Unit			
Insurance/ Unit			
Packing/ Unit			
% GST			
Any other Charges			



BHARAT HEAVY ELECTRICALS LIMITED
CENTRAL FOUNDRY FORGE PLANT
Purchase Department (Materials Management)
Ranipur, Haridwar-249403 (Uttarakhand)

Tender Reference No.	Tender ID:2022_BHEL_12193_1
Item Description	HRC FUSE FOR 440VAC, ON/OFF ROTARY TYPE POWER CONTROL SWITCH.
Vendor Name	
Quotation Reference No.	
Currency	INR

Unpriced Bid Details (to submitted with Techno Commercial Bid)

RFQ Item	4	5	6
Material Code	FF8539240211	FF8539240220	FF8539240343
Item Name	HRC FUSE FOR 440VAC, 50HZ. CONFIRMING TO IS:13703-1993 SIZE: 63A, SIZE- 00, DIN TYPE	HRC FUSE FOR 440VAC, 50HZ. CONFIRMING TO IS:13703-1993 SIZE: 80A, SIZE- 00, DIN TYPE	HRC FUSE FOR 440VAC, 50HZ. CONFIRMING TO IS:13703-1993 SIZE: 125A, SIZE- 1, DIN TYPE
Enquired Quantity	30 No	25 No	25 No
Offered Quantity			
Confirmation to supply the material as per BHEL CFFP Spec.			
Freight/ Unit			
Insurance/ Unit			
Packing/ Unit			
% GST			
Any other Charges			



BHARAT HEAVY ELECTRICALS LIMITED
CENTRAL FOUNDRY FORGE PLANT
Purchase Department (Materials Management)
Ranipur, Haridwar-249403 (Uttarakhand)

Tender Reference No.	Tender ID:2022_BHEL_12193_1
Item Description	HRC FUSE FOR 440VAC, ON/OFF ROTARY TYPE POWER CONTROL SWITCH.
Vendor Name	
Quotation Reference No.	
Currency	INR

Unpriced Bid Details (to submitted with Techno Commercial Bid)

RFQ Item	7	8	9
Material Code	FF8539240351	FF8539240238	FF8539170868
Item Name	HRC FUSE FOR 440VAC,50HZ. CONFIRMING TO IS:13703-1993 SIZE: 160A,SIZE-1,DIN TYPE	HRC FUSE FOR 440VAC,50HZ. CONFIRMING TO IS:13703-1993 SIZE: 100A,SIZE-00,DIN TYPE	ON/OFF ROTARY TYPE POWER CONTROL SWITCH, FLUSH MOUNTING, CONFIRMING TO IS:13947. SIZE: 3POLE, 16A, 415V, 50HZ, ON/OFF
Enquired Quantity	20 No	60 No	35 No
Offered Quantity			
Confirmation to supply the material as per BHEL CFFP Spec.			
Freight/ Unit			
Insurance/ Unit			
Packing/ Unit			
% GST			
Any other Charges			



BHARAT HEAVY ELECTRICALS LIMITED
CENTRAL FOUNDRY FORGE PLANT
Purchase Department (Materials Management)
Ranipur, Haridwar-249403 (Uttarakhand)

Tender Reference No.	Tender ID:2022_BHEL_12193_1
Item Description	HRC FUSE FOR 440VAC, ON/OFF ROTARY TYPE POWER CONTROL SWITCH.
Vendor Name	
Quotation Reference No.	
Currency	INR

RFQ Item	10	11	12
Material Code	FF8539240408	FF8539180243	FF8539170876
Item Name	DRG: 10-07-011 REV: 11 KV, 25 A HIGH VOLTAGE HRC FUSE DIMENSIONS AS PER DRAWING 10-07-011.	TPN SWITCH DISCONNECTOR FUSE UNIT IN SS ENCLOSURE SUITABLE ONLY TO KNIFE (DIN TYPE) FUSE. CONFIRMING IS:13947 PART3-1993 SIZE: TPN-250A,415V AC,50HZ	HIGH SPEED HRC FUSE FOR SEMICONDUCTOR PROTECTION EQUIVALEN -T TO TYPE 35ET OF BUSSMANN MAKE.SIZE: 35A, 690V. SIZE: 35A, 690V.
Enquired Quantity	30 No	8 No	40 No
Offered Quantity			
Confirmation to supply the material as per BHEL CFFP Spec.			
Freight/ Unit			
Insurance/ Unit			
Packing/ Unit			
% GST			
Any other Charges			



BHARAT HEAVY ELECTRICALS LIMITED
CENTRAL FOUNDRY FORGE PLANT
Purchase Department (Materials Management)
Ranipur, Haridwar-249403 (Uttarakhand)

Tender Reference No.	Tender ID:2022_BHEL_12193_1
Item Description	HRC FUSE FOR 440VAC, ON/OFF ROTARY TYPE POWER CONTROL SWITCH.
Vendor Name	
Quotation Reference No.	
Currency	INR

RFQ Item	13
Material Code	FF8539240440
Item Name	HRC FUSE FOR 440VAC, 50HZ. CONFIRMING TO IS:13703-1993 SIZE: 400A, SIZE-2, DIN TYPE
Enquired Quantity	10 No
Offered Quantity	
Confirmation to supply the material as per BHEL CFFP Spec.	
Freight/ Unit	
Insurance/ Unit	
Packing/ Unit	
% GST	
Any other Charges	

Tender Inviting Authority: CFFP BHEL Haridwar

Name of Work: HRC Fuse

Tender ID: 2022_BHEL_12193_1

Name of the Bidder/ Bidding Firm / Company :																	
PRICE SCHEDULE																	
(This BOQ template must not be modified/replaced by the bidder and the same should be uploaded after filling the relevant columns, else the bidder is liable to be rejected for this tender. Bidders are allowed to enter the Bidder Name and Values only)																	
NUMBER #	TEXT #	TEXT #	NUMBER #	TEXT #	TEXT #	NUMBER #	NUMBER	NUMBER	NUMBER	NUMBER	NUMBER	NUMBER	NUMBER	NUMBER #	NUMBER #	NUMBER #	TEXT #
Sl. No.	Item Description	Item Code / Make	Quantity	Units	Quoted Currency in INR / Other Currency	BASIC RATE in Figures To be entered by the Bidder in Rs per unit	PACKING CHARGES if Extra (To be quoted per Unit in Indian Rupees)	Freight(To be quoted per Unit in Indian Rupees if extra)	INSURANCE (To be quoted per Unit in Indian Rupees if extra)	BANK CHARGES (To be quoted per Unit in Indian Rupees if extra)	Other Charges - To be quoted per Unit in Indian Rupees if applicable	GST (If applicable in Percentage)	GST Amount in Rs per unit	HSN / SAC Code	TOTAL AMOUNT excluding taxes	TOTAL AMOUNT including taxes	TOTAL AMOUNT In Words
1	HRC FUSE FOR 440VAC,50HZ. CONFIRMING TO IS:13703-1993 SIZE: 20A,SIZE-00,DIN TYPE	FF8539240173	2.00	NOS.	INR								0.00		0.000	0.000	INR Zero Only
2	HRC FUSE FOR 440VAC,50HZ. CONFIRMING TO IS:13703-1993 SIZE: 32A,SIZE-00,DIN TYPE	FF8539240190	20.00	NOS.	INR								0.00		0.000	0.000	INR Zero Only
3	HRC FUSE FOR 440VAC,50HZ. CONFIRMING TO IS:13703-1993 SIZE: 50A,SIZE-00,DIN TYPE	FF8539240203	15.00	NOS.	INR								0.00		0.000	0.000	INR Zero Only
4	HRC FUSE FOR 440VAC,50HZ. CONFIRMING TO IS:13703-1993 SIZE: 63A,SIZE-00,DIN TYPE	FF8539240211	30.00	NOS.	INR								0.00		0.000	0.000	INR Zero Only
5	HRC FUSE FOR 440VAC,50HZ. CONFIRMING TO IS:13703-1993 SIZE: 80A,SIZE-00,DIN TYPE	FF8539240220	25.00	NOS.	INR								0.00		0.000	0.000	INR Zero Only
6	HRC FUSE FOR 440VAC,50HZ. CONFIRMING TO IS:13703-1993 SIZE: 125A,SIZE-1,DIN TYPE	FF8539240343	25.00	NOS.	INR								0.00		0.000	0.000	INR Zero Only
7	HRC FUSE FOR 440VAC,50HZ. CONFIRMING TO IS:13703-1993 SIZE: 160A,SIZE-1,DIN TYPE	FF8539240351	20.00	NOS.	INR								0.00		0.000	0.000	INR Zero Only
8	HRC FUSE FOR 440VAC,50HZ. CONFIRMING TO IS:13703-1993 SIZE: 100A,SIZE-00,DIN TYPE	FF8539240238	60.00	NOS.	INR								0.00		0.000	0.000	INR Zero Only
9	CONTROL SWITCH, FLUSH MOUNTING, CONFIRMING TO IS:13947. SIZE: 3POLE, 16A, 415V, 50HZ, ON/OFF	FF8539170868	35.00	NOS.	INR								0.00		0.000	0.000	INR Zero Only
10	11 KV, 25 A HIGH VOLTAGE HRC FUSE DIMENSIONS AS PER DRAWING 10-07-011.	FF8539240408	30.00	NOS.	INR								0.00		0.000	0.000	INR Zero Only
11	TPN SWITCH DISCONNECTOR FUSE UNIT IN SS ENCLOSURE SUITABLE ONLY TO KNIFE (DIN TYPE) FUSE	FF8539180243	8.00	NOS.	INR								0.00		0.000	0.000	INR Zero Only
12	HIGH SPEED HRC FUSE FOR SEMICONDUCTOR PROTECTION EQUIVALENT TO TYPE 35ET OF RISSMANN	FF8539170876	40.00	NOS.	INR								0.00		0.000	0.000	INR Zero Only
13	HRC FUSE FOR 440VAC,50HZ. CONFIRMING TO IS:13703-1993 SIZE: 400A,SIZE-2,DIN TYPE	FF8539240440	10.00	NOS.	INR								0.00		0.000	0.000	INR Zero Only
Total in Figures															0.000	0.000	INR Zero Only
Quoted Rate in Words															INR Zero Only		

FIRST ANGLE PROJECTION

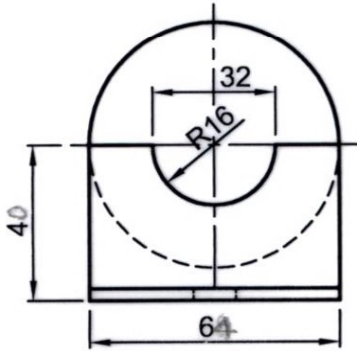
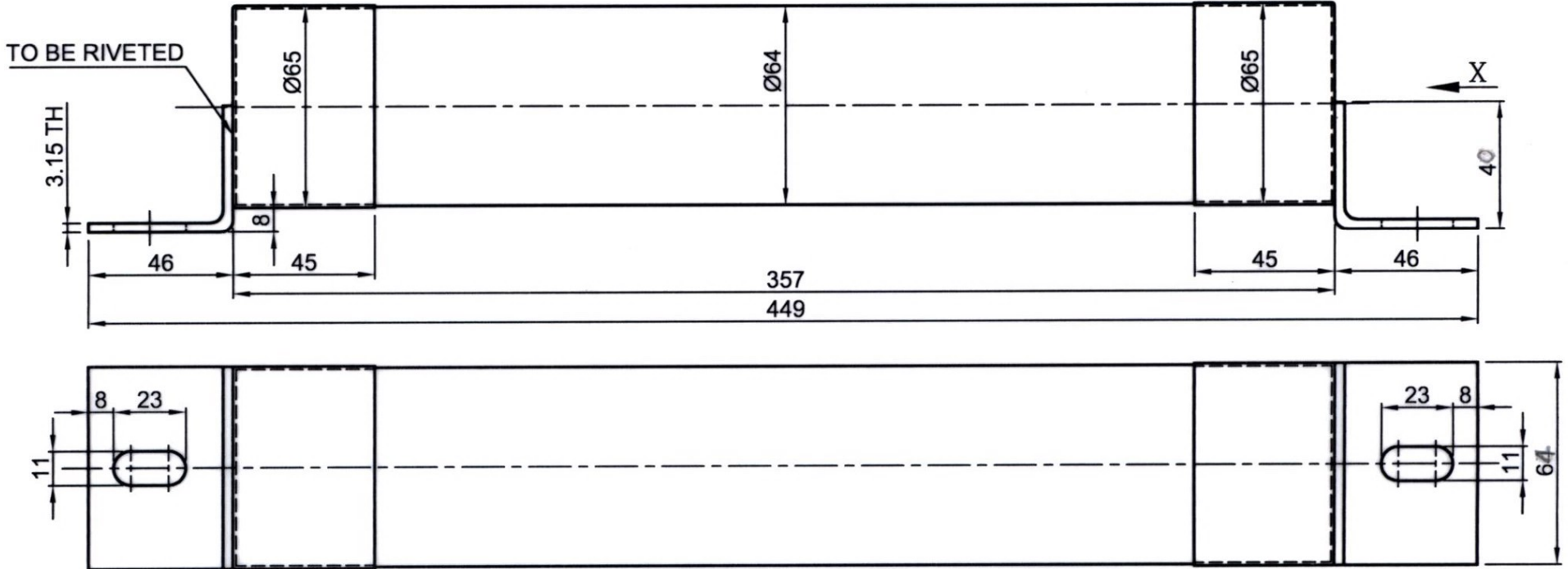
(ALL DIMENSIONS ARE IN mm)

FORM: DG-38(B)

COPYRIGHT AND CONFIDENTIAL

THE INFORMATION ON THIS DOCUMENT IS THE PROPERTY OF BHARAT HEAVY ELECTRICALS LIMITED. IT MUST NOT BE USED DIRECTLY OR INDIRECTLY IN ANY WAY DETRIMENTAL TO THE INTEREST OF THE COMPANY.

DRAWING NO. 10-07-011



VIEW X

THIS DRAWING IS ONLY FOR REFERENCE.

FF8539240408

INVENTORY NO.	SIGN & DATE	REF. DRG NO.
---------------	-------------	--------------

REV.		DATE	ALTERED	DATE	ALTERED
			CHECKED		
REV.		DATE	ALTERED	MATERIAL: ---	
			CHECKED		

BHARAT HEAVY ELECTRICALS LTD. UNIT: CENTRAL POUNDRY FORGE PLANT HARDWAR	NAME	SIGN	DATE	NO. OF VAR.
	DRN PRAVEEN	<i>[Signature]</i>	01.08.17	
	CHD ANAMIKA	<i>[Signature]</i>		
APD ASHRAF	<i>[Signature]</i>			73, 74
DEPT. M&S	SCALE 1:2	WEIGHT(Kg.)	REF. TO ASSY. DRG.	ITEM NO.
CODE				75, 77
TITLE			DRAWING NO.	0
FUSE			10-07-011	
OF 11 KV CAPACITOR BANK				
CDS			SHEET NO. 01	NO. OF SHEETS 01

SIZE A3



BHARAT HEAVY ELECTRICALS LIMITED

CFFP-HARIDWAR, UTTARAKHAND (249403)

General Instructions and Standard Terms & Conditions for bidding against Tender Enquiry (GISTC)

For Indian Bidders (Version February-2022, Rev: 08)

Table of Contents

1. GENERAL	1
2. ORIGIN OF QUOTATION	1
3. SUBMISSION OF TENDER	1
4. TENDER OPENING	2
5. SPECIFICATION, DRAWINGS & STANDARD	2
6. PRICE SCHEDULE	3
7. REVERSE AUCTION	3
8. DELIVERY TERMS	3
9. LD FOR LATE DELIVERY	3
10. PAYMENT TERMS	4
11. TAXES & DUTIES	5
12. BANK GUARANTEE	6
13. GUARANTEE / WARRANTY AND CORRESPONDING REPAIRS / REPLACEMENT OF GOODS	6
14. QUALITY REQUIREMENT	6
15. VALIDITY	6
16. RIGHT OF ACCEPTANCE	6
17. TRANSIT INSURANCE	7
18. RISK PURCHASE	7
19. FORCE MAJEURE CLAUSE	7
20. NON-DISCLOSURE AGREEMENT	8
21. SETTLEMENT OF DISPUTES / ARBITRATION	8
22. WHARFAGE / DEMURRAGE RESPONSIBILITY	9
23. CONDITIONS FOR AVAILING MICRO & SMALL ENTERPRISES (MSE'S) BENEFITS	9
24. INFORMATION TO THE BIDDERS	10
25. MAKE IN INDIA (GOVT-NOTIFICATION)	10
26. RESTRICTIONS UNDER RULE 144(XI) OF THE GENERAL FINANCIAL RULES (GFRs), 2017	12
27. NOTE	12

1. GENERAL.

These general terms & conditions shall apply to all the Tender Enquiries, notice inviting tenders, request for quotations concerning the supply of goods and / or rendering of services to Bharat Heavy Electricals Ltd., CFFP, Haridwar (hereinafter referred to as BHEL or the Purchaser). In case of placement of order these conditions will become part of Purchase Order (P.O) until unless the deviations are specifically agreed by BHEL.

2. ORIGIN OF QUOTATION.

- The quotation should preferably be from the principal bidder. However tender specific authorized registered dealer/agent can also submit the bid on their behalf, failing which the quotation is liable to be ignored. BHEL prefers to deal directly with the principal manufacturers.
- An agent cannot quote on behalf of more than one principal in the same Tender Enquiry.

3. SUBMISSION OF TENDER.

- Bid / Quotation must be enclosed in sealed cover on which tender enquiry number and the due date MUST BE written and be invariably sent under REGISTERED POST / SPEED POST / COURIER / Dropped in the Tender Box: addressed as follows:

Quotation against Enquiry No. _____

Dated: _____

Due on: _____

To,

**THE HEAD OF MATERIALS MANAGEMENT,
Central Foundry Forge Plant,
Bharat Heavy Electricals Limited,
HARIDWAR-249403 (Uttarakhand), INDIA.**

- TENDER ROOM is located at: Sub-Contracting Building, Near Main Admin. Building, BHEL-CFFP, Haridwar.



BHARAT HEAVY ELECTRICALS LIMITED

CFFP-HARIDWAR, UTTARAKHAND (249403)

General Instructions and Standard Terms & Conditions for bidding against Tender Enquiry (GISTC)
For Indian Bidders (Version February-2022, Rev: 08)

- c) In case of Three / Two Part Bid, technical bid containing technical offer, duly signed and un-priced copy of the Price Bid should be kept in one envelope. Price Bid containing only the price should be kept in a separate envelope. All envelopes indicating Part-1 or Part-2 or Part-3 as the case may be to be put in a bigger envelope. Please note that un-priced bid should be the exact replica of price bid but without prices.
- d) The bid / quotation must be posted before due date, keeping allowance for postal transit time. Quotations sent by any mode but not received in time will be ignored. Tender received through authorized E-mail is also acceptable. However, in time submission of tender in tender box shall be the responsibility of the bidder, sent through any mode. Documents submitted with the offer / bid shall be signed and stamped in each page by authorized representative of the bidder.
- e) Any additional documents submitted by supplier / bidder, during processing of registration application / tender or after placement of order shall not be accepted unless it is submitted with forwarding letter and duly signed and stamped.
- f) The bids of the bidders who are on the banned list and also the bids of the bidders, who engage the services of the banned firms, shall be rejected. The cutting / overwriting in the bid / offer must be duly attested by the signatories to the bid. The list of firms banned by BHEL is available on BHEL web site www.bhel.com.
- g) Being PMD vendor, if you are not quoting against this tender enquiry, please send your regret letter positively for our reference with valid reasons for not participating in the tender enquiry. Repeated lack of response on the part of bidder may lead to deletion such PMD vendor from BHEL's approved vendor list.
- h) The bidders will submit Integrity Pact, duly signed by its authorized signatory, along with their bids wherever estimated tender value is Rs. 2 Crore or more.
- i) In case of open tender, technically qualified unregistered bidders may apply online for registration through <http://www.bhel.com/index.php/vender>.
- j) BHEL reserves the right to award tendered quantities among more than one bidder (after acceptance of L1 price by the other bidders). BHEL can also consider awarding of part of the tendered quantity to other than L-1 bidder at L1 counter offered rates, if the quantity offered by the L-1 bidder is less than the quantity tendered for.
- k) In case of e-Tendering (Online bidding through e-portal), offline bid submitted in hard copy or in any other form by the vendor / supplier will not be accepted and will be rejected out rightly. Only e-portal bid will be accepted.
- 4. TENDER OPENING.**
- Tender opening is scheduled to start in the Tender Room at 2:00 PM, on the due date. Therefore, bid / quotations must reach this office / tender Box latest by 1:45 PM on due date. Only participating bidders are allowed to attend tender opening. **TENDERS RECEIVED AFTER THE SPECIFIED TIME OF THEIR 'SUBMISSION' WILL BE TREATED AS LATE TENDERS AND SHALL NOT BE CONSIDERED UNDER ANY CIRCUMSTANCES.** The bidders or their authorized representatives may be allowed to attend tender opening if duly authorized by their principals, through a tender specific letter on that particular day. General authorization letter is not acceptable.
- Note: - Foreign bidders willing to attend the bid opening has to provide the requisite documents to the concerned Purchase executives for arranging gate pass for them.***
- 5. SPECIFICATION, DRAWINGS & STANDARD.**
- a) Bidders must give their detailed specification in the quotation along with relevant technical literature / catalogue etc. against the tender enquiry.
- b) The Bid should be accompanied with relevant copies of catalogues, drawings or specification as per tender enquiry. If these documents are not furnished, the offer is liable to be rejected.
- c) Wherever national / international (N/IN) standards are referred, the latest N/IN standards are to be followed.



BHARAT HEAVY ELECTRICALS LIMITED

CFFP-HARIDWAR, UTTARAKHAND (249403)

**General Instructions and Standard Terms & Conditions for bidding against Tender Enquiry (GISTC)
For Indian Bidders (Version February-2022, Rev: 08)**

Mention year & date of standard revision that shall be followed for the supply.

- d) All Drawings and Standards are proprietary of BHEL. It must not be used in anyway detrimental to the interest of BHEL or without permission of BHEL.

6. PRICE SCHEDULE.

- a) Kindly quote your prices in figures and words both. In case of any discrepancy in value, the prices quoted in words shall be considered for evaluation and establishing L1 status.
- b) Prices quoted should not be more than the prices quoted to any other BHEL units / offices / divisions. Vendor to submit copy of latest Purchase Order placed by any unit of BHEL for similar items in the technical bid. In case no order has been placed on such items, specific confirmation that no order has been placed on such items should be provided.
- c) Prices should be quoted on F.O.R. Destination basis. The offers quoted on other than F.O.R destination basis may result in non-consideration of such bids.
- d) In case BHEL accepts the EX-Works prices, such offers will be loaded by 1.5% of EX-Works value towards freight or with actual freight charges as per BHEL freight rate contract whichever is higher.
- e) In case of Indigenous items covered by DGS & D Rate Contract, the bidders should submit latest valid copy of the rate contract along with bid / quotation
- f) Applicable **IGST / CGST / SGST** and any other statutory levy should be indicated separately and clearly in the bid / quotation.
- g) Bidders can dispatch goods through any Indian Bank Association approved transporters having their branch at HARIDWAR / destination. If material is dispatched through other than Indian Bank Association approved transporter, material to be delivered on door delivery BHEL Stores basis.
- h) In case of dispatch of material through any other unapproved transporter, payment shall be made only after receipt of

material and any additional charges payable to the transporter shall be to the bidder's account.

- i) Any demurrage / godown rent payable to the transporter / or to godown's owner due to any delay attributed by the supplier shall be recovered from supplier's account.
- j) Currency of Evaluation shall be INR.

NB: Financial evaluation of L1, L2Status will be on the basis of Landed Cost to BHEL.

7. REVERSE AUCTION.

Wherever RA is declared in the special terms and conditions of tender enquiry, following shall be applicable and Bidders to confirm the same:

"BHEL shall be resorting to Reverse Auction (RA) (Guidelines as available on www.bhel.com) for this tender. RA shall be conducted among all the techno-commercially qualified bidders.

Price bids of all techno-commercially qualified bidders shall be opened and same shall be considered as initial bids of bidders in RA. In case any bidder(s) do(es) not participate in online Reverse Auction, their sealed envelope price bid along with applicable loading, if any, shall be considered for ranking."

8. DELIVERY TERMS.

- a) Goods shall be delivered on 'FOR Destination' basis to the named destination unless otherwise called for in the tender enquiry.

9. LIQUIDATED DAMAGES (LD) FOR LATE DELIVERY.

a) Where items of Purchase Order are independently usable.

Liquidated Damages (LD) for Late Deliveries shall be applicable @0.5% per week or part thereof on the value of respective delayed supplies subject to a maximum of 10% of the value of respective delayed supplies. Value of delayed supplies will mean the Gross Value payable to the vendor (Before LD) against such supplies excluding taxes and duties.



BHARAT HEAVY ELECTRICALS LIMITED

CFFP-HARIDWAR, UTTARAKHAND (249403)

General Instructions and Standard Terms & Conditions for bidding against Tender Enquiry (GISTC)

For Indian Bidders (Version February-2022, Rev: 08)

b) Where the total items are required for a main equipment and items are interdependent.

Liquidated Damages (LD) for Late Deliveries shall be applicable @0.5% per week or part thereof on total value of Purchase Order subject to maximum of 10% of the total value of Purchase Order. Purchase Order value for this purpose shall be the Total Gross Value payable to the vendor (Before LD) excluding taxes and duties.

c) Bidders are requested to quote the best delivery meeting the delivery requirements. BHEL reserves the right to reject the offers not meeting BHEL's delivery requirement.

d) Commencement of delivery period shall be reckoned from the date of PO / LOI or any other agreed milestone.

e) Bidder shall deliver the goods in the manner and schedule agreed under the terms and conditions of Purchase order.

f) **DELIVERY IN CASE OF REJECTION:** In case the material is rejected, then date of replacement will be considered as the actual date of delivery.

g) **DELIVERY AGAINST BANK DOCUMENTS:** In case payment terms quoted by bidder are documents through bank, and the delivery terms being "FOR Haridwar / FOR Transporter Go-down" then date of delivery will be date of intimation by transporter / bidder of delivery of material at Haridwar for the LD purpose.

h) Where the payments are through bank, the documents may be presented for negotiation to BHEL authorized / nominated bank.

i) Payment of Liquidated Damages (LD) shall not in any way relieve the vendor from any of its obligations & liabilities under the contract.

h) Loading shall be done for not agreed portion (%) of LD in Landed cost calculation.

10. PAYMENT TERMS.

a) BHEL's standard payment term is Payment after receipt and acceptance of materials / items at CFFP, BHEL-Store or at desired destination unless otherwise specified in Special Terms attached to the tender enquiry.

b) BHEL reserves the right to accept or reject the offer of the bidder who quotes the payment term other than BHEL's standard payment term.

c) Loading on account of deviation in payment terms shall be done as per extant rules of BHEL-Haridwar.

d) 100% payment along with taxes, freight & insurance will be made after receipt and acceptance of material and within 45 days from the date of invoice subject to submission of non-discrepant documents within 15 days of supply as per terms and conditions of Purchase Order. In case any discrepancy found in the documents, BHEL will notify the same to vendor within 7 days of receipt. Vendor has to clear all the discrepancies in one go within 7 days thereafter else the payment of vendor may get delayed.

e) For MSEs (covered under MSME Act) which are registered and periodically renewed with BHEL, the payment will be made within 45 days or as prescribed in the relevant act.

f) Adherence to the above time schedule of payment is contingent upon Vendor complying with GST Rules w.r.t availment of Input Tax Credit by BHEL.

g) In case GST credit is delayed / denied to BHEL, due to non / delayed receipt of goods and / or tax invoice or expiry of the timeline prescribed in GST Law for availing such ITC, or any other reason not attributable to BHEL, GST amount shall be recoverable from Vendor along with interest levied / leviable on BHEL.

h) The taxes and duties that are reimbursed would be the ones applicable as on the contractual Purchase order delivery date or the amount actually paid whichever is less.

i) The loading criteria for the different payment terms shall be as under:

Payment Terms	Days of Loading
After Receipt & Acceptance of material within 45 days of supply.	No Loading
Against Delivery at BHEL-Stores Haridwar.	45
Against documents through bank (CAD):	45
Letter of Credit (LC)	120
No Loading if usance period is > 120 Days.	



BHARAT HEAVY ELECTRICALS LIMITED

CFFP-HARIDWAR, UTTARAKHAND (249403)

General Instructions and Standard Terms & Conditions for bidding against Tender Enquiry (GISTC)

For Indian Bidders (Version February-2022, Rev: 08)

Usance LC	Loading of days' difference i.e. difference between 120 days and usance period if the usance period is < 45 days.
Advance	Delivery Period + 120 Days - Advance Payment Days.

j) Loading on account of deviation in payment terms shall be done as per extant rules of BHEL-Haridwar. The normal loading shall be @Base rate of SBI (as applicable on the date of bid opening, Techno-commercial bid opening in case of two part bids) + 6%, for the period of relaxation sought by bidders.

11. TAXES & DUTIES.

- The bidder to specify in their offer (part 1 bid) the category of their registration under GST like Registered, Unregistered and composite dealer.
- The GST registration number of Bharat Heavy Electrical Ltd, Heavy Electricals Equipment Plant, Ranipur, Haridwar is "05AAACB4146P1ZL" with state Code as "05" and State Name as "Uttarakhand".
- Please quote our GST registration number in all invoices raised for supply of goods and services under GST regime and also ensure filing of timely return and payment of tax and compliance of other applicable provisions on supplier under GST regime.
- No GST will be reimbursed to unregistered or composite dealer. In the event, any GST is quoted by composite dealer, the same shall be added to the cost of supply in evaluating the bid.
- Since, input credit of GST will be available to BHEL-Haridwar only after correct filing of return and payment of applicable GST by supplier, reimbursement of GST shall be made by BHEL-Haridwar on matching of vendor inputs at GST portal, ensuring availability of input credit to BHEL Haridwar. Payment of GST will be made to vendor after matching of input credit and vendor to ensure submission of their invoices along with consent to accept payment of tax after such matching in all cases where bills are submitted directly to BHEL-Haridwar or through bank or under LC or through any other mode.

- GST-TDS as applicable shall be deducted & GST on LD shall also be recovered
- In the event of any disallowance of input credit or applicability of interest or any other financial liability arises on BHEL-Haridwar due to any default of supplier under GST, such implication shall be to supplier's account.
- In the event of any change in the status of the vendor after the submission of the bid but before the supply, GST applicable at the time of supply or in the bid, based on the registration status of the vendor, whichever is lower shall be payable.
- Where ever applicable If PAN (Permanent Account Number) of the recipient is not available, income tax is deductible either at the normal rate or at the rate of 20 percent, whichever is higher as per Section 206AA of Indian Income Tax Act 1961.
- The bidder shall clearly indicate HSN (*Harmonised System Nomenclature*) / SAC (*Service Accounting Code*), its description and applicable rate of GST for each item in his techno-commercial bid.
- Statutory Variation in Taxes & duties as applicable at the time of supply shall be payable. However, in the event of no change in law but bidder quoting certain tax structure in bid document which is lower than the applicable one, such amount shall be the maximum amount of tax that can be claimed by bidder.
- IMPORTED GOODS OFFERED BY INDIAN BIDDERS AGAINST DEALER INVOICE:** Wherever the material being offered is imported, the bidder must quote the prices inclusive of IGST. The rate and value of IGST as included in the price must be indicated separately. In case quantum of IGST is not mentioned by the bidder the same will not be considered for evaluation. However, bidder will have to pass on the benefit of IGST to BHEL at the time supply.
- In case of directly dispatchable items to Customer's Site, BHEL-Haridwar will inform the GST registration number of the respective customer which must be mentioned on the vendor's invoice. Vendor to ensure availability of such information from BHEL-Haridwar before dispatch of any



BHARAT HEAVY ELECTRICALS LIMITED

CFFP-HARIDWAR, UTTARAKHAND (249403)

General Instructions and Standard Terms & Conditions for bidding against Tender Enquiry (GISTIC)
For Indian Bidders (Version February-2022, Rev: 08)

material. However, while filing GSTN-1, BHEL Haridwar GSTN number to be quoted.

Note: - Vendors must ensure compliance of all the applicable rules and procedure as envisaged in the GST Regime. Any loss to BHEL-Haridwar due to fault / non-compliance by the vendor will be to the vendor's account.

12. BANK GUARANTEE.

In case the bank guarantees are required to be deposited towards security deposit/performance guarantee or for any other purpose as per the terms of this tender enquiry, such bank guarantees of the requisite value in the denominated currency of the purchase order should be from one of the Indian branch of BHEL consortium banks and the bank guarantee should be in the proforma as prescribed by BHEL. The proforma of bank guarantee and the list of consortium banks are displayed at BHEL website www.bhelhwr.co.in. However, in case the bank guarantee is not from BHEL consortium banks, then the bidder has to get the bank guarantee confirmed from one of the Indian branch of BHEL consortium banks and the bank charges for such confirmation will be borne by the bidder.

13. GUARANTEE / WARRANTY AND CORRESPONDING REPAIRS / REPLACEMENT OF GOODS.

Goods shall comply with the specifications for material, workmanship and performance. Unless otherwise specified, the warranty shall be for a period of 18 months from the date of receipt. If the delivery is found non-compliant during the warranty period, leading to rejection, the Seller shall arrange free replacement / repair of goods, within one month from the date of intimation or any mutually agreed period. The rejected goods shall be taken away by the Seller at his cost and replaced on Delivered Duty Paid (DDP) (FOR - BHEL Stores / designated destination basis) within such period. In the event of the Seller's failure to comply, Purchaser may take action as appropriate, including Repair / Replenish rejected goods & disposal of rejections, at the risk & cost of the Seller. In case the defects attributable to Seller are detected during processing of the goods at BHEL or at our subcontractor's works, the Seller shall be responsible for free replacement / repair of the goods as required by BHEL.

14. QUALITY REQUIREMENT.

Your bid / quotation should have specific confirmation regarding meeting all our quality requirements such as. (i) Test Certificate (TC), (ii) Guarantee Certificate (GC) / Warranty Certificate (WC), (iii) Quality Plan (QP) (if applicable); and (iv) Pre-Dispatch Inspection at your works (if applicable).

15. VALIDITY.

The quotation should be valid for a minimum period of 90 days effective from the date of opening of tender, unless otherwise specified in the tender enquiry.

16. RIGHT OF ACCEPTANCE.

- a) **BHARAT HEAVY ELECTRICALS LIMITED HARIDWAR** reserves the right to reject any or all the bids / quotations without assigning any reason thereof. BHEL also reserves the right to increase or decrease the tendered quantities. Bidders should be prepared to accept order for reduced quantity without any extra charges.
- b) Any discount / revised offer / bids submitted by a bidder on its own shall be considered, provided it is received on or before the due date and time of offer / bid submission (Part-1). Conditional discounts shall not be considered for evaluation of tenders.
- c) Unsolicited discounts / revised offers / bids given after Part-1 bid opening shall not be accepted. No change in price will be permitted within the validity period asked for in the tender enquiry.
- d) In case of changes in scope and / or technical specification and / or commercial terms & conditions having price implication, techno-commercially acceptable bidders shall be asked by BHEL to submit the impact of such changes on their price bids. In case a bidder opts to submit revised price bid instead of impact called for then the latest price bid shall prevail.



BHARAT HEAVY ELECTRICALS LIMITED

CFFP-HARIDWAR, UTTARAKHAND (249403)

General Instructions and Standard Terms & Conditions for bidding against Tender Enquiry (GISTC)

For Indian Bidders (Version February-2022, Rev: 08)

However, in both situations, original price bid will be necessarily opened.

- e) The bidder whose bid is technically not accepted will be informed & EMD wherever submitted shall be returned after finalization of contract. EMD shall be forfeited in the event of bidder opting out after tender opening.
- f) BHEL reserves the right to short close the existing Purchase Order / Rate Contract / Work Order or any extension thereof at any stage.

17. TRANSIT INSURANCE

- a) All bidders are requested to quote their prices on FOR destination basis. Destination shall be Central Stores, C.F.F.P., BHEL Ranipur, Haridwar. Quoted price shall be inclusive of transit insurance.
- b) In case bidder has submitted their offer without confirmation to transit insurance to their account in their offer, BHEL will load their offer at the applicable rate at that time.

18. RISK PURCHASE.

In case of abnormal delays (beyond the maximum late delivery period as per LD clause) in supplies / defective supplies or non-fulfillment of any other terms and conditions given in Purchase Order, BHEL may cancel the Purchase Order in full or part thereof, and may also make the purchase of such material from elsewhere / alternative source at the risk and cost of the supplier. BHEL will take all reasonable steps to get the material from alternate source at optimum cost. If bidder does not agree to the above Risk Purchase Clause, BHEL reserves the right to reject the offer. In case for compelling reasons BHEL accepts the offer without acceptance of this clause by the bidder and in the eventuality of Risk Purchase, appropriate action will be taken as per BHEL extant rules. This will be without prejudice to any other right of BHEL under the contract or under General Law.

19. FORCE MAJEURE CLAUSE.

Notwithstanding any other thing contained anywhere else in the contract or PO (Purchase Order), In case the discharge of obligation under the contract by either party is impeded or made unreasonably onerous, neither party shall be considered in breach of the contract to the extent that performance of their respective obligation is prevented by an event of Force Majeure that arises after the effective date (PO date).

In the above clause, Force Majeure means an event beyond the control of the parties to the contract which prevents a party from complying with any obligation of the contract including but not limited to:

- a) Act of God (Such as but not limited to earthquake, drought, tidal waves, floods etc.).
- b) War (whether war be declared or not), Hostilities Invasion, Act of foreign enemy etc.
- c) Rebellion, revolution, insurrection, civil war etc.
- d) Contamination of Radio Activity from any nuclear fuel or from any other nuclear waste or any other hazardous materials.
- e) Riots, commotions, strike unless restricted to the employees of supplier.
- f) Acts of terrorism.
- g) Other unforeseeable circumstances beyond the control of the parties and which the affected party cannot avoid even by using its best efforts.
- h) Cancellation of contract by customer.
- i) Change in law / government. Regulation making the performance impossible.
- j) Pandemic or Epidemic.

The party claiming to be affected by force majeure shall notify the other party in writing immediately without delay on the intervention and on the cessation of such circumstances.

Irrespective of any extension of time, if an event of force majeure occurs and its effect continues for more than 180 days the affected party shall have right to cancel the contract.

As soon as reasonably practicable following the date of commencement of a Force Majeure Event, and within a reasonable time following the date of termination of a Force Majeure Event, either Party invoking it shall submit to the other Party reasonable proof of the nature of the Force Majeure Event and of its effect upon the performance of the Party's obligations under this Agreement.



BHARAT HEAVY ELECTRICALS LIMITED

CFFP-HARIDWAR, UTTARAKHAND (249403)

General Instructions and Standard Terms & Conditions for bidding against Tender Enquiry (GISTC)

For Indian Bidders (Version February-2022, Rev: 08)

The party shall, and shall ensure that its Subcontractors shall, at all times take all reasonable steps within their respective powers and consistent with Good Operating Practices (but without incurring unreasonable additional costs) to:

- a) Prevent Force Majeure Events affecting the performance of the party's obligations under this Agreement.
- b) mitigate the effect of any Force Majeure Event and
- c) Comply with its obligations under this Agreement.

If the war like situation has developed in a country where a seller's works is located in this P.O. or there is political instability and Indian Embassy located in that country forbids or advises for not having any business dealing with the sellers located in such zone / region/ country, then BHEL reserves the right to cancel the order.

20. NON-DISCLOSURE AGREEMENT.

All Drawing and Technical Documents relating to the product or it's manufacture submitted by one party to the other, prior or subsequent to the formation of contract, shall remain property of the submitting party. Drawing, technical documents or other technical information received by one party, shall not without the consent of the other party, be used for any other purpose than that, for which they were provided. Such technical information shall not without the consent of the submitting party, otherwise be used or copied, reproduced, transmitted or communicated to a third party. Patterns supplied by BHEL will remain BHEL's property which shall be returned by the bidder on demand to BHEL. Bidder shall in no way share or use such intellectual property of BHEL to promote his own business with others or to gain a commercial advantage. BHEL reserves the right to claim damages from the bidder, or take appropriate action as deemed fit against the bidder, for any infringement of the provisions contained herein as available under law or equity.

21. SETTLEMENT OF DISPUTES / ARBITRATION.

In case of any dispute arising out of as in connection with this contract, the same shall be referred to arbitration under Arbitration & Conciliation Act 1996 of a sole arbitrator who shall be appointed by mutual consent of the parties. The seat & venue of arbitration shall be Haridwar.

The proceedings shall be conducted in English. The Governing law of contract shall be the substantive law of India.

MODEL CONCILIATION CLAUSE FOR CONDUCTING CONCILIATION PROCEEDINGS UNDER THE BHEL CONCILIATION SCHEME,2018

The Parties agree that if at any time (whether before, during or after the arbitral or judicial proceedings), any Disputes (which term shall mean and include any dispute, difference, question or disagreement arising in connection with construction, meaning, operation, effect, interpretation or breach of the agreement, contract or the Memorandum of Understanding (delete whichever is inapplicable), which the Parties are unable to settle mutually), arise inter-se the Parties, the same may, be referred by either party to Conciliation to be conducted through Independent Experts Committee to be appointed by competent authority of BHEL from the BHEL Panel of Conciliators.

Notes:

1. No serving or a retired employee of BHEL/ Administrative Ministry of BHEL shall be included in the BHEL Panel of Conciliators.
2. Any other person(s) can be appointed as Conciliators (s) who is/ are mutually agreeable to other the parties from outside the BHEL Panel of Conciliators.

The proceedings of Conciliation shall broadly be governed by Part-III of the Arbitration and Conciliation Act 1996 or any statutory modification therefore and as provided in Annexure.....to this GCC/ Agreement/Contract/MoU etc. (Strike off whichever is inapplicable).

The Annexure..... together with it's Formats will be treated as if the same is party and parcel hereof and shall be as effectual as if set out herein in this GCC/Agreement/Contract/MoU etc. (strike off whichever is inapplicable).

The Purchaser/Contractor/Seller etc. (insert the description of the other party to the Agreement/Contract/MoU etc.,- whichever is applicable) agrees that the Purchaser/Contractor /Seller etc. (insert the description of BHEL –whichever is applicable) may make any amendments or modifications to the provisions stipulated in the Annexure.....to this GCC/Agreement/Contract/MoU etc., (strike off whichever is inapplicable) from time to time and confirms that it shall be



BHARAT HEAVY ELECTRICALS LIMITED

CFFP-HARIDWAR, UTTARAKHAND (249403)

General Instructions and Standard Terms & Conditions for bidding against Tender Enquiry (GISTC)

For Indian Bidders (Version February-2022, Rev: 08)

bound by such amended or modified provisions of the Annexure.....with effect from the date as intimated by BHEL to it.

22. WHARFAGE / DEMURRAGE RESPONSIBILITY.

In the event of delay in receipt of documents by Manager (Stores-Shipping) BHEL-Haridwar and in case where dispatches are made through Unapproved Transporter the sole responsibility for wharfage / demurrage for such delay shall be that of supplier.

23. CONDITIONS FOR AVAILING MICRO & SMALL ENTERPRISES (MSE'S) BENEFITS.

a) "MSE Suppliers can avail the intended benefits only if they submit along with the offer, attested copies of either EM II certificate having deemed validity (**five years** from the date of issue of acknowledgement in EM II) or valid NSIC certificate or EM II certificate along with attested copy of a CA certificate (Format enclosed at annexure-1 where deemed validity of EM II certificate of five years has expired) applicable for the relevant financial year (latest audited). Date to be reckoned for determining the deemed validity will be the date of bid opening (Part 1 in case of two-part bid) or vendor has to give Udyog Adhar Memorandum (UAM)/UDYAM. Non submission of such documents will lead to consideration of their bid at par with other bidders. No benefit shall be applicable for this enquiry if any deficiency in the above required documents is found or the requisite documents are not submitted before price bid opening. If the tender is to be submitted through e-procurement portal, then the above require document are to be uploaded on the portal. Documents should be notarized or attested by a Gazetted officer. **UAM/UDYAM need not required to be notarized or attested.**

b) Any new supplier will be eligible for registration with BHEL as MSE supplier provided at least any one of the following documents are submitted along with application for registration: -

1. Udyog Adhar Memorandum (UAM) /UDYAM.
2. Valid National Small Industries Commission (NSIC) Certificate.
3. Entrepreneurs Memorandum part II (EM II) certificate (valid based on deemed validity of 5 years) or

4. EM II certificate along with attested copy of CA Certificate (as per prescribed format at annexure-A) applicable for the relevant financial year (latest audited), where the deemed validity of EM II is over.
5. However, credentials of all MSE suppliers will be verified before advancing the intended benefits.
6. MSE bidders claiming SC/ST status will have to submit SC/ST certificate of the Proprietor from competent authority. Attested (notarized or attested by Gazetted officer) copy to be submitted along with the offer.
7. In case techno-commercial accepted bidders include MSE source and their prices (based on landed cost – considering quoted prices) are within the price band of 15% w.r.t. L-1 bidder, then BHEL can offer **25%** of quantity of respective item (rounded off to nearest number) to MSE bidders at L-1 price and in case, more than one MSE bidder is in 15 % band and the same is accepted by more than one MSE bidders then **25%** quantities of respective items will be considered for ordering on proportionate basis amongst MSE bidders.
8. There will be minimum of **3%** reservation for women owned MSEs within the above mentioned 25% reservation.
9. The reservation for MSEs owned by SC/ST will be **6.25%** { 25% out of target of 25% - refer para 4 of Public Procurement Policy for the Micro and Small Enterprises(MSEs)}.
10. The definition of MSEs owned by Women Entrepreneurs is clarified as under:
 - a) In case of proprietary MSE, proprietor shall be Woman.
 - b) In case of partnership MSE, the Woman partners shall be holding at least 51% of share in the unit.
 - c) In case of Private Limited companies, at least 51% share shall be held by Women promoters.
11. The definition of MSEs owned by SC/ST is clarified as under:
 - a) In case of proprietary MSE, proprietor(s) shall be SC/ST.
 - b) In case of partnership MSE, the SC/ST partners shall be holding at least 51% of shares in the unit.
 - c) In case of Private Limited companies, at least 51% share shall be held by SC/ST promoters.
12. While distributing the **25%** quantity amongst MSE bidders the decimal points in quantity shall be ignored for all the bidders except the L-1 amongst MSE bidders. Balance quantity after allocating the quantity to other MSE bidders ignoring the quantities in decimal, shall be given to L-1 (amongst MSE) bidder. However, if there are more than one MSE bidder at the same price level than preference for additional quantities due to ignoring off the decimal (as mentioned above) shall be

Quotations / Bids not in accordance with General Instructions and Standard Terms & Conditions are likely to be ignored.



BHARAT HEAVY ELECTRICALS LIMITED

CFFP-HARIDWAR, UTTARAKHAND (249403)

General Instructions and Standard Terms & Conditions for bidding against Tender Enquiry (GISTC)

For Indian Bidders (Version February-2022, Rev: 08)

given to the bidder offering favorable terms to BHEL and if the conditions offered are also same then preference will be given to the bidder having high SPR rating.

13. In case there are more than one MSE bidders (with different landed cost to BHEL) within 15% price band of lowest bidder and quantity to be offered is 1 no. only, then preference shall be given to the MSE bidder with lowest landed cost.
14. In case there are more than one MSE bidders (with same landed cost to BHEL) within 15% price band of lowest bidder and quantity to be offered is 1 no. only, then preference shall be given first, based on the favorable terms in the bid and in case terms are also same, the bidder with high SPR rating shall be given preference.
15. If L1 bidder is MSE bidder, entire quantity will be given to such MSE bidder only.
16. Note: It may however be noted that MSE guidelines as on date (Date of Technical Bid Opening Part-1) shall prevail.
17. "As per the OM No. F.No. 1(2)(1)/2016-MA dtd. 09.02.2017 issued from the Office of Development Commissioner (Micro, Small & Medium Enterprises), "Traders and agents should not be allowed to avail the benefits extended under the PP Policy."

In view of this, it is clarified that benefits of MSE (such as EMD Waiver, Tender fee exemption, Price preference, Payment preference etc.) will be given only to those MSE Vendors who are manufacturers of offered items against the NIT. No MSE benefits shall be provided to Agents / Stockists / Dealers / Traders etc. for the items offered but not manufactured by themselves."

24. INFORMATION TO THE BIDDERS.

- a) Purchase related information is available at our Business-to-Business (B2B) Portal available on our website <https://hwr.bhel.com>. The user ID & password can be obtained by sending a request to concerned purchase executives.
- b) Intimate your change in mail address or communication address or changes, if any, by email to Head (Purchase) giving your bidder Code.
- c) Please resolve your rejections and unexecuted overdue purchase order immediately which are posted at our B2B

Portal, which can be visited through our site <https://hwr.bhel.com>

- d) Copy of this Tender Enquiry is being sent through the post.
- e) The Bidder declares that they will not enter into any illegal or undisclosed agreement or understanding, whether formal or informal with other bidder(s). This applies in particular to prices, specifications, certifications, subsidiary contracts, submission or non-submission of bids or any other actions to restrict competitiveness or to introduce cartelization in the bidding process.
In case, the bidder is found having indulged in above activities, suitable action shall be taken by BHEL as per extant policies/guidelines.
- f) Supplier must upload digitally signed e-Invoice on B2B portal for processing of Bills.
In other cases, inked signed hard copy of Invoice to be submitted for processing of Bills.

25. MAKE IN INDIA (GOVT-NOTIFICATION).

- A. This tender enquiry shall be governed by notification no. P-45021/2/2017-PP (BE-II) dated 04.06.2020 of government of INDIA and subsequent circulars issued afterwards. Accordingly, the minimum local content, the margin of purchase preference and the procedure for preference to make in INDIA shall be adhered.
- B. The margin of purchase preference shall be 20%.
 - 'Class-I local Supplier' means a supplier or service provider, whose goods, services or works offered for procurement, has local content equal to or more than 50%, as defined under this order.
 - 'Class-II local Supplier' means a supplier or service provider, whose goods, services or works offered for procurement, has local content more than 20% but less than 50%, as defined under this order.
 - 'Non- local Supplier' means a supplier or service provider, whose goods, services or works offered for procurement, has local content less than or equal to 20%, as defined under this order.
- C. Vendor to specifically confirm if they are Class-I or Class-II local supplier or not as per above mentioned notification. Accordingly, the 'Class-I local supplier' / 'Class-II local Supplier' at the time of tender, bidding or solicitation shall be

Quotations / Bids not in accordance with General Instructions and Standard Terms & Conditions are likely to be ignored.



BHARAT HEAVY ELECTRICALS LIMITED

CFFP-HARIDWAR, UTTARAKHAND (249403)

General Instructions and Standard Terms & Conditions for bidding against Tender Enquiry (GISTC)

For Indian Bidders (Version February-2022, Rev: 08)

required to indicate percentage of local content and provide self-certification that the item offered meets the local content requirement for 'Class-I local supplier' / 'Class-II local Supplier', as the case may be. They shall also give details of the location(s) at which the local value addition is made.

D. In cases of Procurement for a Value in Excess of Rs. 10 Crores, the 'Class-I local supplier' / 'Class-II local Supplier' shall be required to provide a Certificate from the Statutory Auditor or Cost Auditor of the Company (in the case of companies) or from a practicing Cost Accountant or practicing Chartered Accountant (in respect of suppliers other than companies) giving the percentage of Local Content.

E. Requirement of Purchase Preference:

Purchase preference shall be given to 'Class-I local supplier' in procurements undertaken by procuring entities in the manner specified hereunder -

a. In the procurements of goods or works, which are covered by para 3(b) of mentioned Govt. circular and which are divisible in nature, the 'class-I local supplier' shall get purchase preference over 'Class-II supplier' as well as 'Non-local supplier', as per following procedure:

- i. Among All qualified bids, the lowest bid will be termed as L1. If L1 is 'Class-I local supplier', the contract for full quantity will be awarded to L1.
- ii. If L1 bid is not a 'Class-I local supplier', 50% of the order quantity shall be awarded to L1. Thereafter, the lowest bidder among the 'Class-I local supplier' will be invited to match the L1 price for the remaining 50% quantity subject to the class-I local supplier's quoted price falling within the margin of purchase preference, and contract for that quantity shall be awarded to such 'Class-I local supplier' subject to matching the L1 price. In case such lowest eligible 'Class-I local supplier' fails to match the L1 price or accepts less than the offered quantity, the next higher 'Class-I local supplier' within the margin of purchase preference shall be invited to match the L1 price for remaining quantity and so on, and contract shall be awarded accordingly. In case some quantity is still left uncovered on Class-I local supplier, then such balance quantity may also be ordered on the L1 bidder".

b. In the procurements of goods or works, which are covered by para 3(b) of mentioned Govt. circular and

which are not divisible in nature, and in procurement of services where the bid is evaluated on price alone, the 'class-I local supplier' shall get purchase preference over 'Class-II supplier' as well as 'Non-local supplier', as per following procedure:

- i. Among all qualified bids, the lowest bid will be termed as L1. If L1 is 'Class-I local supplier', the contract will be awarded to L1.
- ii. If L1 is not 'Class-I local supplier', the lowest bidder among the 'Class-I local supplier', will be invited to match the L1 price subject to Class-I local supplier's quoted price falling within the margin of purchase preference, and the contract shall be awarded to such 'Class-I local supplier' subject to matching the L1 price.
- iii. In case such lowest eligible 'Class-I local supplier', fails to match the L1 price, the 'Class-I local supplier' with the next higher bid within the margin of purchase preference shall be invited to match the L1 price and so on and contract shall be awarded accordingly. In case none of the 'Class-I local supplier' within the margin of purchase preference matches the L1 prices, the contract may be awarded to the L1 bidder.

c. 'Class-II local supplier' will not get purchase preference in any procurement, undertaken by procuring entities.

F. For this procurement, the local content to categorize a supplier as a Class-I local supplier/ Class-II local supplier/ Non-local supplier and purchase preference to Class-I local supplier, is as defined in Public Procurement (Preference to Make in India), Order 2017 dated 04.06.2020 issued by DPIIT. In case of subsequent orders issued by nodal ministry, changing the definition of local content for the items of the NIT, the same shall be applicable even if issued after issue of this NIT, but before opening of Part-II bids against this NIT.

G. Procurements where estimated value to be procured is less than Rs. 5 lakhs shall be exempted from GOI order No. P-45021/2/2017-PP (BE-II) dated 04.06.2020.

H. For procurement of Goods & Services which are divisible in nature, following shall be operated for **MSE bidders** under Public procurement Policy for the Micro and Small Enterprises (MSEs) Amendment Order, 2019, Ref. No. AA:SSP: MSE: Amndt, dtd. 30.11.2018, Circular No. 44 of 2018-19;-



BHARAT HEAVY ELECTRICALS LIMITED

CFFP-HARIDWAR, UTTARAKHAND (249403)

General Instructions and Standard Terms & Conditions for bidding against Tender Enquiry (GISTC)

For Indian Bidders (Version February-2022, Rev: 08)

- a. If L1 bid is not from "Class-I local Supplier" and price quoted by MSE bidder falls within the margin of Purchase preference (L1+15% for MSEs), then 25 % of total order quantity of respective item (rounded off to nearest number) shall be awarded to MSE bidder, subject to MSE bidder matching the L1 Price. Out of Remaining 75% quantity, distribution shall be operated as per below sub-clause (2) –
- b. If "Class- I Local Supplier" (Next to L1, other than MSE) quoted price falling within the Margin of Purchase Preference, and "Class-I local supplier" matches the L1 price, then 50% of remaining Quantity (after allocation of 25% to MSE) i.e. 37.5% shall be awarded to local supplier and 37.5% shall be awarded to foreign bidder.

Note: L1 Price refers to lowest evaluated / landed cost to Company.

For Further details, please refer GOI order no. P-45021 / 2 / 2017 - PP (BE-II) dated 04.06.2020.

26. RESTRICTIONS UNDER RULE 144(XI) OF THE GENERAL FINANCIAL RULES (GFRs), 2017

All provisions of Order No. F.No.6/18/2019-PPD of Department of Expenditure (DoE) shall be applicable for this tender enquiry (Order copy is available at <https://doe.gov.in/procurement-policy-divisions>). Accordingly, any bidder from a country which shares a land border with India (except the countries to which the Govt. of India has extended lines of credit or in which the Govt. of India is engaged in development projects for which list is available at <https://www.mea.gov.in/>) will be eligible to bid in this tender only if the bidder is registered with the Competent Authority as specified in Annex I of the said Order of DoE.

Updated list of the countries to which lines of credit have been extended or in which development projects are undertaken are available on the Ministry of External affairs website (<https://www.mea.gov.in/>)

For the purpose of this order, definition of Bidder from a country which shares a land border with India shall be same as defined in the Annex III of the said order.

Registration with the competent authority as stipulated in the said order is responsibility of bidder. Bidder has to submit a certificate certifying following along with offer:

"I have read the clause regarding restrictions on procurement from a bidder of a country which shares a land border with India; I certify that bidder (... Name of Bidder) is not from such a country or, if from such a country, has been registered with the Competent Authority. I hereby certify that bidder (.....Name of bidder) fulfils all requirements in this regard and is eligible to be considered"

If the bidder is from such country which shares a land border with India evidence of valid registration by the Competent Authority shall also be attached along with offer."

27. NOTE.

- a) Special conditions of enquiry, if enclosed by BHEL, will supersede the respective standard / general terms of enquiry.
- b) Any other Standard terms and Conditions of the bidder attached / referred against the tender enquiry will be treated as null and void ab initio.
- c) In order to protect the commercial interests of BHEL, it becomes necessary to take action against suppliers / contractors by way of suspension of business dealings, who either fail to perform or are in default without any reasonable cause, cause loss of business / money / reputation, indulged in malpractices, cheating, bribery, fraud or any other misconducts or formation of cartel so as to influence the bidding process or influence the price etc. Guide- lines for Suspension of Business Dealings with Suppliers / Contractors shall prevail over which is available at BHEL website <http://www.bhel.com>
- d) The bidder along with its associate / collaborators / sub-contractors / sub-vendors / consultants / service providers shall strictly adhere to BHEL Fraud Prevention Policy displayed on BHEL website <http://www.bhel.com> and shall immediately bring to the notice of BHEL-Management about any fraud or suspected fraud as soon as it comes to their notice.
- e) "BHEL shall recover the amount of compensation paid to victim(s) by BHEL towards loss of life / permanent disability due to an accident which is attributable to the negligence of contractor, agency or firm or any of its employees as detailed below;

Quotations / Bids not in accordance with General Instructions and Standard Terms & Conditions are likely to be ignored.



BHARAT HEAVY ELECTRICALS LIMITED

CFFP-HARIDWAR, UTTARAKHAND (249403)

General Instructions and Standard Terms & Conditions for bidding against Tender Enquiry (GISTC)

For Indian Bidders (Version February-2022, Rev: 08)

1. **Victim:** Any person who suffers permanent disablement or dies in an accident as defined below.

2. **Accident:** Any death or permanent disability resulting solely and directly from any unintended and unforeseen injurious occurrence caused during the manufacturing / operation and works incidental thereto at BHEL factories/ **offices and precincts** thereof , project execution , erection and commissioning, services, repairs and maintenance, trouble shooting, serving , overhaul, renovation and retrofitting , trial operation, performance guarantee testing undertaken by the company or during any works / during working at BHEL Units/ Offices/ townships and premises/ project sites.

3. **Compensation in respect of each of the victims:**

(i) In the event of death or **permanent disability** resulting from **Loss of both limbs:** Rs. 10,00,000/- (Rs. Ten Lakh).

(ii) In the event of **other permanent disability:** Rs. 7,00,000/- (Rs. Seven Lakh).

4. **Permanent Disablement:** A disablement that is classified as a permanent total disablement under the proviso to Section 2(l) of the Employees Compensation Act, 1923."

f) The bidder shall be in compliance with applicable laws, rules and regulations throughout the terms of the contract for conducting its business generally and to perform its obligations under this contract.