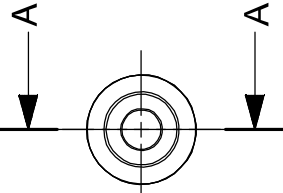
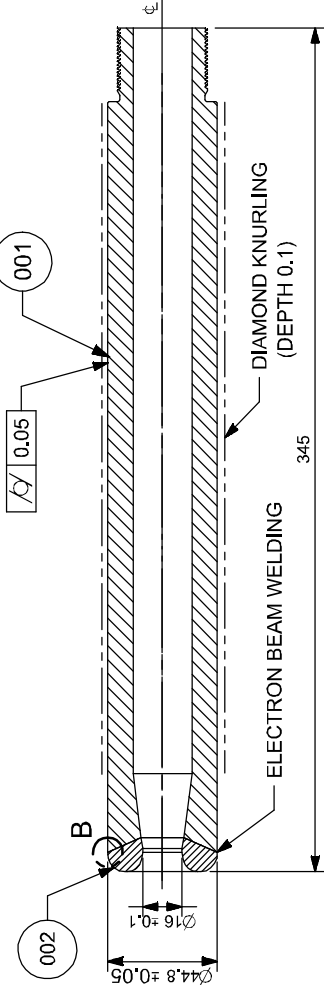


FIRST ANGLE PROJECTION

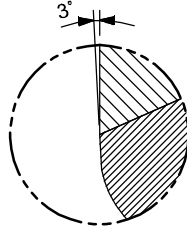
DRG. NO. 35027600260



NOTE:-

1. THE COMPONENT SHALL BE SILVER PLATED TO 10-12 MICRON TK. AS PER MARKING () AFTER EBW AND SLITTING AS PER SG12512.
2. FOR QUALITY CHECKS AND ACCEPTANCE CRITERIA REFER SG12515.
3. NO EDGE SHALL BE FORMED AT RADIUS JOINING.

SECTION A-A



DETAIL B
SCALE 3:1

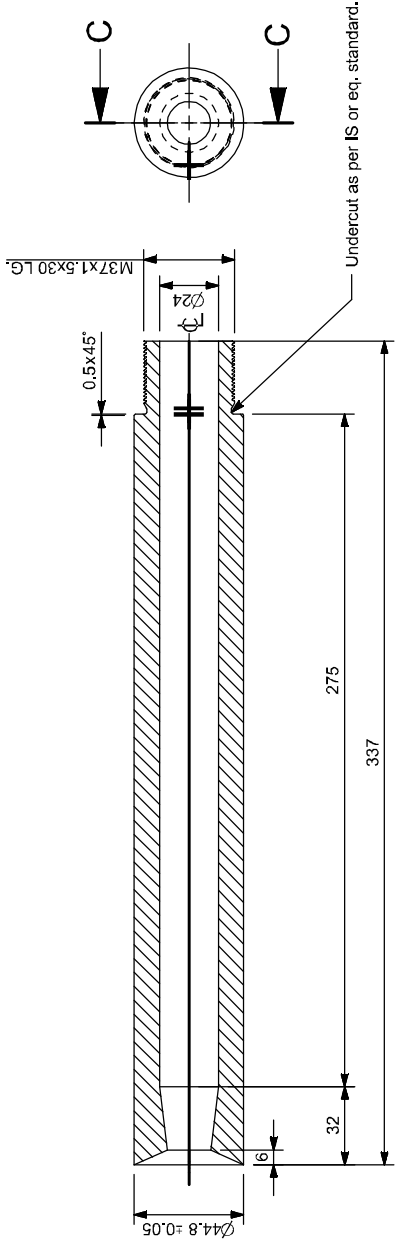


1.6

001	ARCHING CONTACT ROD-II	35027600261	001	0.11	001
001	CONTACT TIP	35027600262	001	3.25	001
VAR	REMARKS	VAR.	ITEM NO.	MATL. CODE	UNIT WT.
00					QTY.
			DRAWING NO		
			VAR		

ADDITIONAL INFORMATION STATUS OF DRAWINGS DISTRIBUTION OF DRAWINGS SWE SWM TCX REV. DATE. ALTERED - CHECKED - APPD - ZONE		mRikn dk izokj, k zZsgd@jir/Asiok dk uke TYPE OF PRODUCT OR NAME OF CUSTOMER/PROJECT HkKjR gsoh bysfdV,dYI fyfeVsM HkKsiky BHARAT HEAVY ELECTRICALS LTD. BHOPAL uke/NOME SRS Sd/- 14/05/14 SONALI Sd/- 14/05/14 SKP Sd/- 14/05/14 vls-MkZax dk lanHKZ REF. TO ASSY.DRG. en dz- ITEM NO. NO.OF THIS 25027600100 002 vksjk dz-/DRAWING NO. 35027600260 i"B dz-/SHT NO.1 "Bksa dh lefj/NO.OF SHT.1	
REV. DATE. ALTERED - CHECKED - APPD - ZONE		HkKjR gsoh bysfdV,dYI fyfeVsM HkKsiky BHARAT HEAVY ELECTRICALS LTD. BHOPAL uke/NOME SRS Sd/- 14/05/14 SONALI Sd/- 14/05/14 SKP Sd/- 14/05/14 vls-MkZax dk lanHKZ REF. TO ASSY.DRG. en dz- ITEM NO. NO.OF THIS 25027600100 002 vksjk dz-/DRAWING NO. 35027600260 i"B dz-/SHT NO.1 "Bksa dh lefj/NO.OF SHT.1	
REV. DATE. ALTERED - CHECKED - APPD - ZONE		HkKjR gsoh bysfdV,dYI fyfeVsM HkKsiky BHARAT HEAVY ELECTRICALS LTD. BHOPAL uke/NOME SRS Sd/- 14/05/14 SONALI Sd/- 14/05/14 SKP Sd/- 14/05/14 vls-MkZax dk lanHKZ REF. TO ASSY.DRG. en dz- ITEM NO. NO.OF THIS 25027600100 002 vksjk dz-/DRAWING NO. 35027600260 i"B dz-/SHT NO.1 "Bksa dh lefj/NO.OF SHT.1	

DRG.NO. 35027600261



SECTION C-C



NOTE:
 1. ALL SHARP EDGES SHALL BE MACHINED TO R1
 2. THE DIMENSION SPECIFIED IN THIS DRAWING ARE FINAL DIMENSIONS TO BE ACHIEVED IN ASSY. SUITABLE MARGIN SHALL BE LEFT BY VENDOR FOR MACHINING..

1.6

REMARKS	VAR. NO.	ITEM NO.	DESCRIPTION	ST	DRAWING NO.	IT. NO. VAR	MATL. CODE	AA12024	K	24.01 001	UNIT WT.	QTY.	ZONE
			Ø50x342 LG. ETP COPPER										

ADDITIONAL INFORMATION mRikn dk izdkj .k xzkg@jfr:kstuk dk uk6 TYPE OF PRODUCT OR NAME OF CUSTOMER/PROJECT		Hkkjr gsoh bysDy' d'1 tyfevsm BHARAT HEAVY ELECTRICALS LTD. BHOPAL		uke/NAME SRS SONALI SKP		glLr-SIGN. Sd/- Sd/- Sd/-		fudk/DIE 14/05/14 14/05/14 14/05/14		osj- dh lqjK NO.OF VAR		- - -	
STATUS OF DRAWINGS SWE SWM TCX		Hkky vjw/vjwki dh js,kh UNTO L.DMS. GR. CODE 409 M AA0230208		Hkky (fexz-k) WEIGHT (K.G.) 3.25		vugjkr SCALE 1 : 1		vjw-MkqZax dk jnHkZ REF.TO ASSY,DRG, 35027600260		en dzc ITEM NO. 001		osj- dh lqjK NO.OF VAR 001	
REV. DATE, ALTERED - CHECKED - APPD -		REV. DATE, ALTERED - CHECKED - APPD -		k'n "kZd/TITLE ARCHING CONTACT ROD-II		vjwjsjK dz-DRIVING NO. 35027600261		lqj-REV. 00		f" B dz-/SHT NO. I Bkisa dh lqjK/NO.OF SHT. I		ZONE	

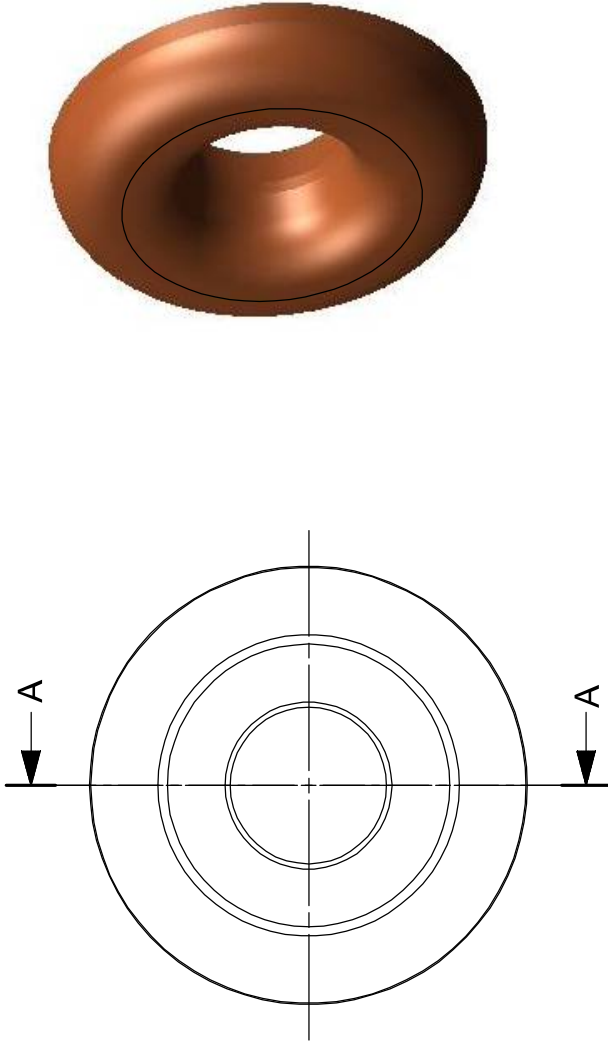
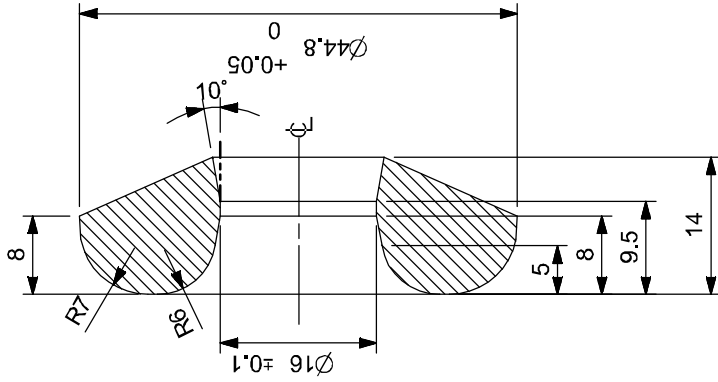
GIS-420

INVENTORY NO. _____
 SIGN AND DATE _____
 REF.DRG.NO. RDDG43506170335

THIS DOCUMENT IS THE PROPERTY OF BHARAT HEAVY ELECTRICALS LIMITED
 IT MUST NOT BE USED DIRECTLY OR INDIRECTLY IN ANY WAY DETRIMENTAL TO THE INTEREST OF THE COMPANY

FIRST ANGLE PROJECTION

DRG.NO: 35027600262



1.6

(ALL DIMENSIONS ARE IN MM)

SECTION A-A

REMARKS	VAR. NO.	ITEM NO.	DESCRIPTION	DRAWING NO.	IT. NO. VAR	SG 10408	UNIT WT. QTY.
ADDITIONAL INFORMATION		50 ODx11 IDx14 LG. W-CU ALLOY				1.33 001	
STATUS OF DRAWINGS		mRikn dk izdkj .k xzkg@fiji.kstuk dk uke TYPE OF PRODUCT OR NAME OF CUSTOMER/PROJECT				GIS-420	
DISTRIBUTION OF DRAWINGS		Hkkj gsoh bysDV' dVI tyfeVsM Hkksiky BHARAT HEAVY ELECTRICALS LTD. BHOPAL				uke/NAME glrke-SIGN. fmuaidDATE	
SWE	SWM	TCX				SRS	Sd/- 14/05/14
						SONALI	Sd/- 14/05/14
						SKP	Sd/- 14/05/14
REV. DATE:	ALTERED -	DATE:	ALtered -	DATE:	ALtered -	DATE:	ALtered -
CHECKED -	CHECKED -	CHECKED -	CHECKED -	CHECKED -	CHECKED -	CHECKED -	CHECKED -
APPD -	APPD -	APPD -	APPD -	APPD -	APPD -	APPD -	APPD -
ZONE		ZONE		ZONE		ZONE	
CONTACT TIP (FOR ARCING CONTACT-II)		35027600262		35027600260		35027600260	
Bkksa dh lat;k: NO. OF SHT: 1		Bkksa dh lat;k: NO. OF SHT: 1		Bkksa dh lat;k: NO. OF SHT: 1		Bkksa dh lat;k: NO. OF SHT: 1	

A3