



ENQUIRY
(IMPORTS)

BHARAT HEAVY ELECTRICALS LIMITED

(A Government of India Undertaking)
80, G.N.ROAD, T. NAGAR
Purchase Department Piping Centre
CHENNAI - 600 017.
TAMILNADU (INDIA)

PHONE :
GRAMS : BHARATELEC
FAX NO :
E-mail :
Web :

 OFFICE COPY	Collective No.	Enquiry Date	Due Date for Quotation
	4100800129	28.08.2008	17.09.2008 Due Date for
Please quote Enquiry No, Date and due date in all correspondences. This is only a request for quotation and not an order			
RFQ No: 4100800129			

Item	Description	Unit	Quantity	Delivery Quantity	Schedule Date
10	925057390003 FRGID1000X80MIN/ID851X57MINS A182F22CL3 DIVALUE: TDC: Drg: 48031060871	NO	2.000	2.00	31.01.09
20	925161350000 HF OD355.6 ID 251.6 L400 SA182F22 CL3 DIVALUE: TDC:	NO	2.000	2.00	31.01.09
30	925161520000 STUB OD 225 ID 115 L = 600 SA182F22CL3 DIVALUE: TDC: TDG104 02	NO	1.000	1.00	31.01.09
40	925161800000 STUB OD 250 ID 140 L = 200 SA105 DIVALUE: TDC: TDG104 02	NO	4.000	4.00	31.01.09
50	925163960000 STUB OD 260 ID 140 L = 200 SA182F22CL3 DIVALUE: TDC: TDG104 02	NO	200.000	200.00	31.01.09
60	925164030000 STUB OD 300 ID 130 L 830 SA182F22CL3 DIVALUE: TDC: TDG104 02	NO	2.000	2.00	31.01.09
70	925164650400 FORGED STUB OD250 / ID140 L=200 SA105 DIVALUE: TDC: TDG104 02	NO	100.000	100.00	31.01.09
80	925164690000 STUB OD 250 ID 120 L = 200 SA182F22CL3 DIVALUE: TDC: TDG104 02	NO	4.000	4.00	31.01.09
90	925165950000 HOLLOWFORGOD280/ID190L=500 SA182F11CL2	NO	2.000	2.00	31.01.09

The offers should reach us before the time of opening of tenders.
The offers will be opened at 14:30 hours on the due date in the presence of the tenderers who may like to be present.
Late tenders are liable to be rejected.

Yours faithfully,
For BHARAT HEAVY ELECTRICALS LIMITED

S. VARADARAJAN
Dy. Manager, Purchase
BHEL Piping Centre

80, G.N. Road, T. Nagar
Chennai - 600 017.



BHARAT HEAVY ELECTRICALS LIMITED

(A Government of India Undertaking)
80, G.N.ROAD, T.NAGAR
Purchase Department - Piping Centre
CHENNAI - 600 017.
TAMILNADU (INDIA)

4100800129 / 28.08.2008

20433

	<i>DIVALUE:</i> <i>TDC: TDG104 02</i>					
100	925166120000 HOL.FORG OD200/ID115 L=120SA182F22CL3 <i>DIVALUE:</i> <i>TDC:</i>	NO	5.000	5.00	31.01.09	
110	925166140000 HOL.FORG OD210/ID130 L=160SA182F22CL3 <i>DIVALUE:</i> <i>TDC:</i>	NO	18.000	18.00	31.01.09	
120	925166150000 HOL.FORG OD205/ID130 L=180SA105 <i>DIVALUE:</i> <i>TDC:</i>	NO	20.000	20.00	31.01.09	
130	925166160000 HOL.FORG OD250/ID140 L=160SA105 <i>DIVALUE:</i> <i>TDC:</i>	NO	2.000	2.00	31.01.09	
140	925166170000 HOL.FORG OD165/ID85 L=180SA105 <i>DIVALUE:</i> <i>TDC:</i>	NO	2.000	2.00	31.01.09	
150	925166180000 HOL.FORG OD125/ID40 L=150SA105 <i>DIVALUE:</i> <i>TDC:</i>	NO	31.000	31.00	31.01.09	
160	925166550000 HOLLOWFORGOD813/ID760L=285 SA105 <i>DIVALUE: Drg: 4 80322 63150</i> <i>TDC:</i>	NO	27.000	27.00	31.01.09	
170	925166610000 STUB OD 120/ ID 60 L=250 MM SA182F22CL3 <i>DIVALUE:</i> <i>TDC:</i>	NO	4.000	4.00	31.01.09	
180	925178950000 M.PIEID260MAXXTHK59MINL=420SA18 2F22CL3 <i>DIVALUE:</i> <i>TDC:</i>	NO	10.000	10.00	31.01.09	
190	925179130000 BWCONRED813X50/660X36L=500 SA234WP22 <i>DIVALUE: P727/P590 Drg: 4 80311 60830</i> <i>TDC: TDG102 03</i>	NO	18.000	18.00	31.01.09	
200	925179140000	NO	18.000	18.00	31.01.09	

The offers should reach us before the time of opening of tenders.
The offers will be opened at 14:30 hours on the due date in the presence of the tenderers who may like to be present.
Late tenders are liable to be rejected.

Yours faithfully,
For **BHARAT HEAVY ELECTRICALS LIMITED**

S. VARADARAJAN

Dy. Manager - Purchase

BHEL Piping Centre

80, G.N. Road, T. Nagar

Chennai - 600 017.



BHARAT HEAVY ELECTRICALS LIMITED

(A Government of India Undertaking)
 80, G.N.ROAD, T.NAGAR
 Purchase Department - Piping Centre
 CHENNAI - 600 017.
 TAMILNADU (INDIA)

4100800129 / 28.08.2008

20433

	BWCONRED813X60/660X36L=500 SA182F22CL3 DIVALUE: EP AS INDICATED IN DRG TDC: TDG102 03								
210	925179150000 MAT PIECE OD864X35/OD864X27 L=500 SA105 DIVALUE: TDC: TDG104 02	NO	25.000		25.00				31.01.09
220	925195280000 BW END CAP 60.3 X 12.5 SA182F22CL3 DIVALUE: TDC: TDG102 03	NO	130.000		130.00				31.01.09
230	925271320004 MPCE645X31.5/355.6X32L=600 SA182F22CL3 DIVALUE: TDC: TDG104 02	NO	54.000		54.00				31.01.09
240	925271390000 BW CON RED 660 X 20 / 558.8 X 23 SA105 DIVALUE: P620/P518.8 TDC: TDG102 03	NO	2.000		2.00				31.01.09
250	925271400000 BW CON RED 508 X 71 / 355.6 X 50 SA105 DIVALUE: P375/P260 TDC: TDG102 03	NO	6.000		6.00				31.01.09
260	925279230000 MATPIECEID400MAXX100MINL=448 SA182F22CL3 DIVALUE: TDC: TDG104 02	NO	48.000		48.00				31.01.09
270	925279260000 MPCE711.2X40/ID590.4MAXX35MI SA182F22CL3 DIVALUE: TDC: TDG104 02	NO	27.000		27.00				31.01.09
280	925279270000 MPCEID800MXX55MN/OD711.2X40 SA182F22CL3 DIVALUE: TDC: TDG104 02	NO	26.000		26.00				31.01.09
290	925279290000 MPCEOD645X31.5/OD508X25L=500 SA182F22CL3 DIVALUE: TDC: TDG104 02	NO	54.000		54.00				31.01.09
300	955164280000 STUB OD 600 ID DIVALUE: TDC: TDG104 02	NO	2.00 4.00		2.00 4.00				31.01.09

The offers should reach us before the time of opening of tenders.
 The offers will be opened at 14:30 hours on the due date in the presence of the tenderers who may like to be present.
 Late tenders are liable to be rejected.

Yours faithfully,
 For BHARAT HEAVY ELECTRICALS LIMITED

S. VARADARAJAN
 DY. MANAGER / PURCHASE
 BHEL Piping Centre
 80, G.N. Road, T. Nagar
 Chennai - 600 017.



BHARAT HEAVY ELECTRICALS LIMITED

A Government of India Undertaking
80, G.N.ROAD, T.NAGAR
Purchase Department - Piping Centre
CHENNAI - 600 017
TAMILNADU (INDIA)

4100800129 / 28.08.2008

20433

450(+0-2) L 510 SA182F22

DIVALUE:

TDC:

General Note:

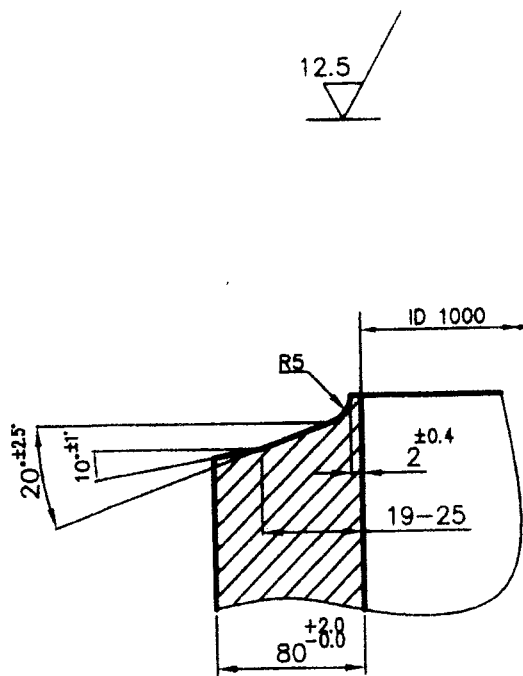
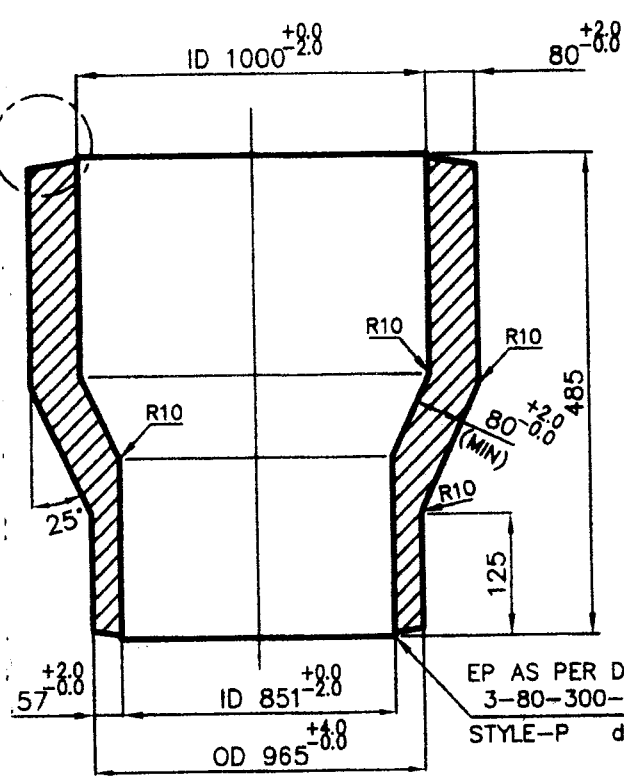
Enclosures:

"LD clause has to be confirmed without fail."

CAUTION: The information on this document is the property of BHARAT HEAVY ELECTRICALS LTD. It must not be used directly or indirectly in any way detrimental to the interest of the company.

REV	DATE	ALTERED
		APPROVED

ALL DIMENSIONS ARE IN MILLIMETRES



EP AS PER DRG.NO
3-80-300-19825
STYLE-P d1 = 860

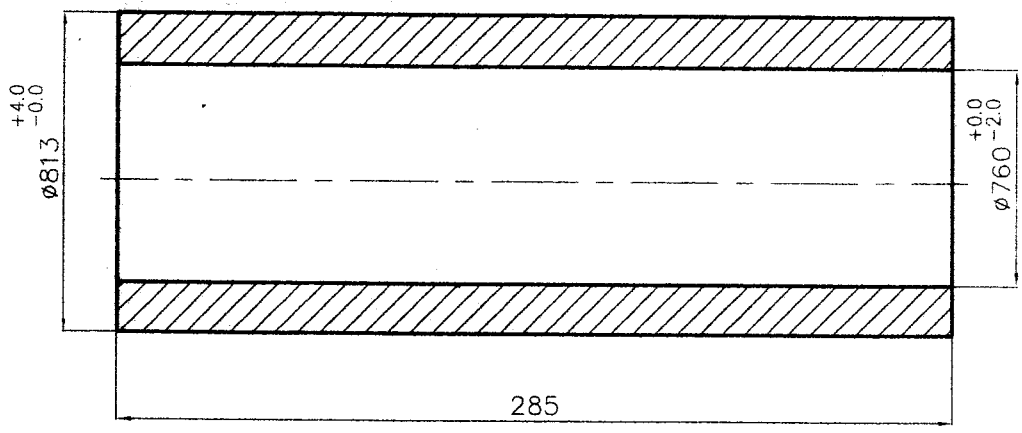
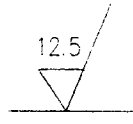
DETAIL-A

STANDARD		VAR NO.	DESCRIPTION	STD	MATL. CODE	MATL. SPECN.	UNIT	UNIT.WT.(Kg)
			OUTLET FORGING ID 1000.0 x THK80.0 MIN / ID 851.0 x 57 THK		95 505 739 0003	SA 182 F22 CL3	A	888 000
							A	QTY.
							C	
							DI	
BHARAT HEAVY ELECTRICALS LIMITED		DRN	B.UMASHANKAR	NAME	B. Ull	SIGN	DATE	NO. OF VAR
PIPING CENTRE		CHD	M.C.SEKARAN				08.11.05	
CHENNAI 600 017		APPD	A.VELAYUTHAM				08.11.05	
DEPT	GRADE OF UNTOL DIM	SCALE	WEIGHT (KG).	REF. TO ASSY./OLD DRG.		ITEM NO.	NO. OF ITEMS	
CODE	C / M / F	N.T.S	888.000	2-80-310-07446				
TITLE OUTLET FORGING FOR Y-PIECE ID 1000.0 x THK80.0 MIN / ID 851.0 x 57 THK				CARD CODE U 01	DRAWING NO. 4-80-310-60871			REV 00

CAUTION: The information on this document is the property of BHARAT HEAVY ELECTRICALS LTD. It must not be used directly or indirectly in any way detrimental to the interest of the company.

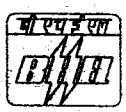
REV	DATE	ALTERED
01		APPROVED

ALL DIMENSIONS ARE IN MILLIMETRES



	HOLLOW FORGING L = 285 OD 813/ ID 760	92 516 655 0000	A	147 000
VAR NO.	DESCRIPTION	MATL. CODE	A	UNIT. WT.(Kg)
		MATL. SPECN.	C	QTY.

STANDARD



BHARAT HEAVY ELECTRICALS LIMITED
PIPING CENTRE
CHENNAI 600 017

	NAME	SIGN	DATE	NO. OF VAR
DRN	R. VIJAY		19-10-06	
CHD	T.N. ELANGO VAN		19-10-06	
APPD	A. VELAYUTHAM		19-10-06	

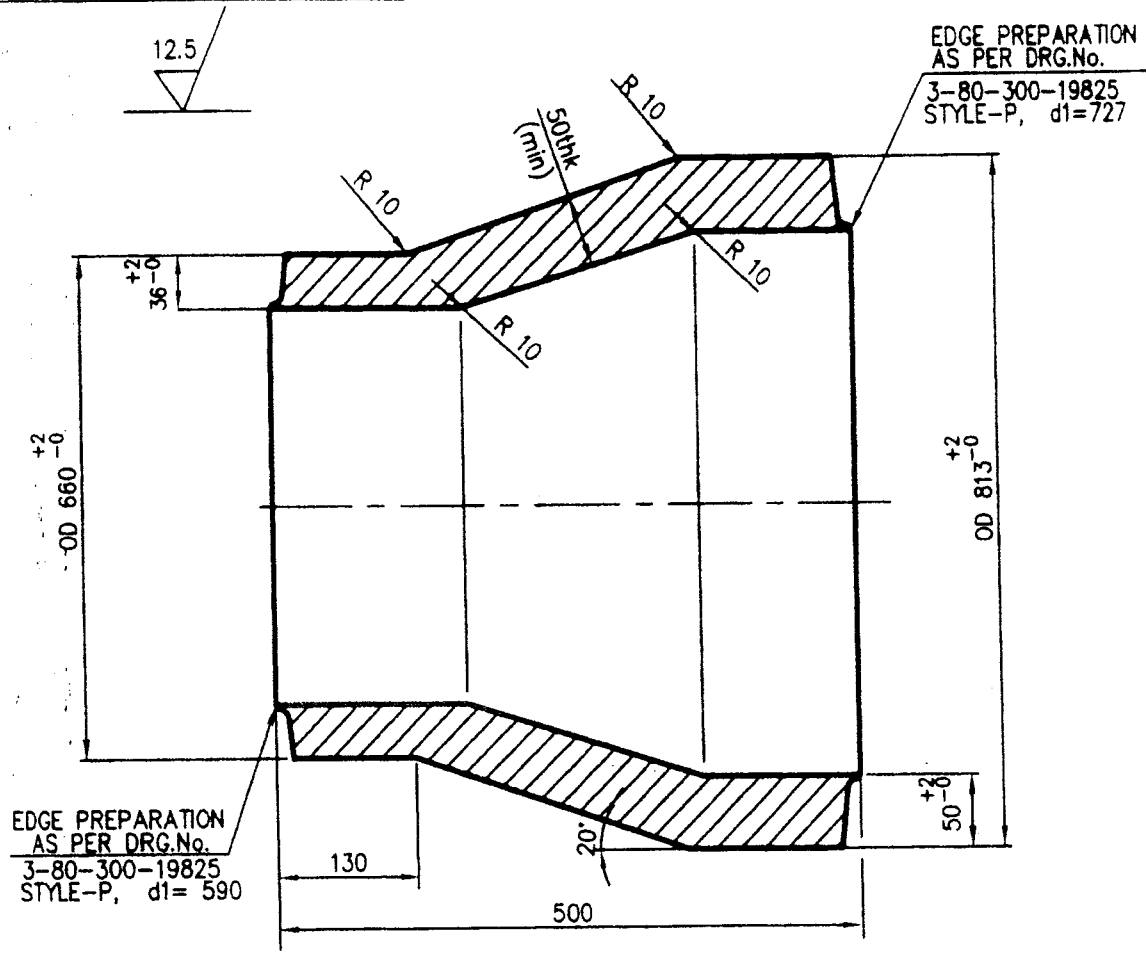
DEPT	GRADE OF UNTOL DIM		SCALE	WEIGHT (KG).	BHEL PO REF NO:	ITEM NO.	NO. OF ITEMS
CODE	C / M / F		N.T.S	112.000			

TITLE	CARD CODE	DRAWING NO.	REV
HOLLOW FORGING, L = 285 OD 813/ ID 760	U 01	4-80-322-63150	00

CAUTION: The information on this document is the property of BHARAT HEAVY ELECTRICALS LTD. It must not be used directly or indirectly in any way detrimental to the interest of the company.

REV	DATE	ALTERED
01		APPROVED

ALL DIMENSIONS ARE IN MILLIMETRES



MACHINED REDUCER OD 813x50/OD 660x36 L = 500	92 517 913 0000	A	412 000
	SA 182 F22 CL3		
VAR NO.	DESCRIPTION	MATL. CODE	UNIT
		MATL. SPECN.	QTY.

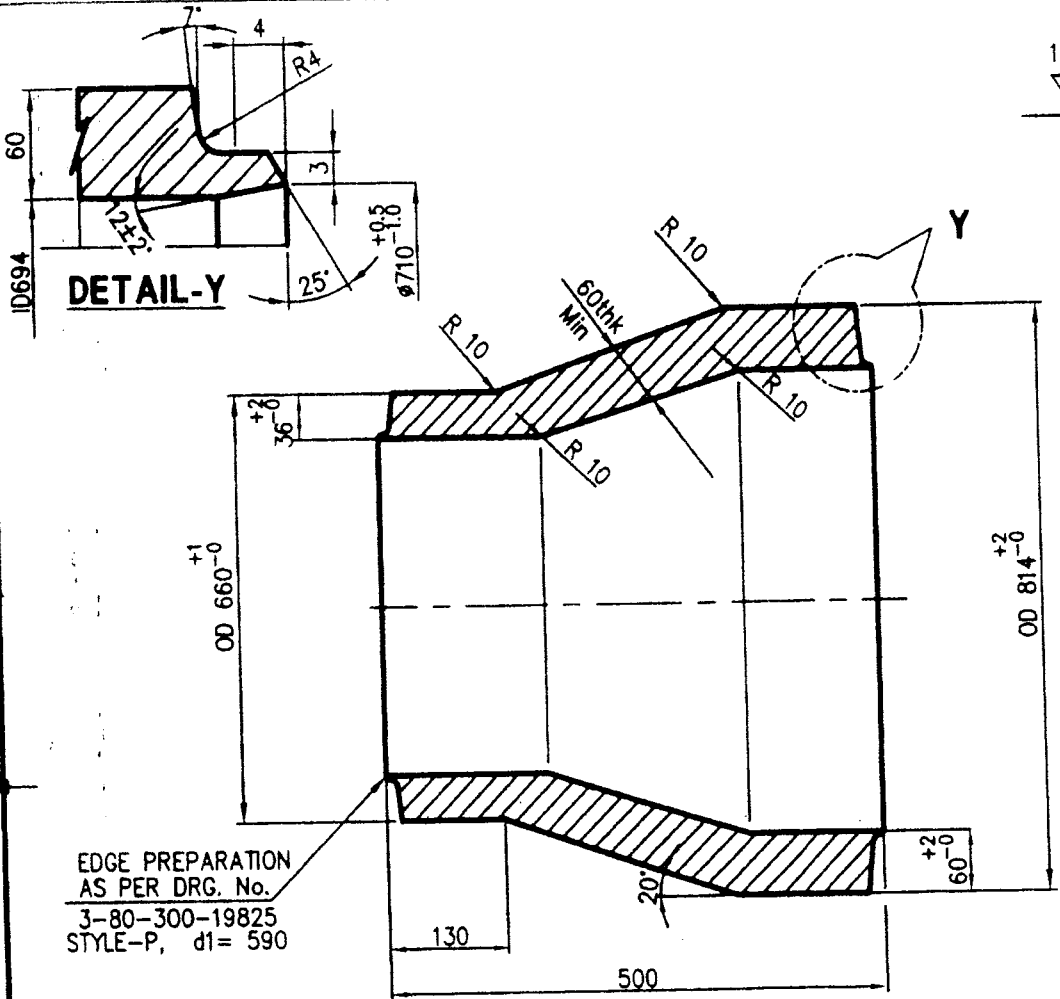
<p>BHARAT HEAVY ELECTRICALS LIMITED PIPING CENTRE CHENNAI- 600 017</p>	DRN	A. PRIYA	<i>A. Priya</i>	05-11-05	NO. OF VAR
	CHD	M.C.SEKARAN	<i>M. Sekaran</i>	05-11-05	
	APPD	A.VELAYUTHAM	<i>A. Velayutham</i>	05-11-05	
	<p>DEPT</p> <p>GRADE OF UNTOL. DIM</p> <p>C / M / F</p>				

DEPT	GRADE OF UNTOL. DIM	SCALE	WEIGHT (KG).	BHEL PO REF.NO:	ITEM NO.	NO. OF ITMS
CODE	C / M / F	N.T.S	412.000			
TITLE			CARD CODE	DRAWING NO.	REV	
MACHINED REDUCER (OD813x50/OD660x36)			U 01	4-80-311-60830	00	

CAUTION: The information on this document is the property of BHARAT HEAVY ELECTRICALS LTD. It must not be used directly or indirectly in any way detrimental to the interest of the company.

REV	DATE	ALTERED
01		APPROVED

ALL DIMENSIONS ARE IN MILLIMETRES



EDGE PREPARATION
AS PER DRG. No.
3-80-300-19825
STYLE-P, d1=590

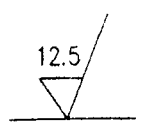
MACHINED REDUCER OD 813x60/OD 660x36 L= 500		92 517 914 0000	A	474 000		
VAR NO.	DESCRIPTION	STD	MATL. CODE	UNIT		
			MATL. SPECN.	DI		
				QTY.		
BHARAT HEAVY ELECTRICALS LIMITED PIPING CENTRE CHENNAI- 600 017		NAME	SIGN	DATE	NO. OF VAR	
		DRN	A. PRIYA	<i>[Signature]</i>	05-11-05	
		CHD	M.C.SEKARAN	<i>[Signature]</i>	05-11-05	
		APPD	A.VELAYUTHAM	<i>[Signature]</i>	05-11-05	
DEPT	GRADE OF UNTOL.DIM	SCALE	WEIGHT (KG).	BHEL PO REF.NO:	ITEM NO.	NO. OF ITEMS
CODE	C / M / F	N.T.S	474.000			
TITLE		CARD CODE	DRAWING NO.		REV	
MACHINED REDUCER (OD813x60/OD660x36)		U 01	4-80-311-60831		00	

CAUTION: The information on this document is the property of BHARAT HEAVY ELECTRICALS LTD. It must not be used directly or indirectly in any way detrimental to the interest of the company.

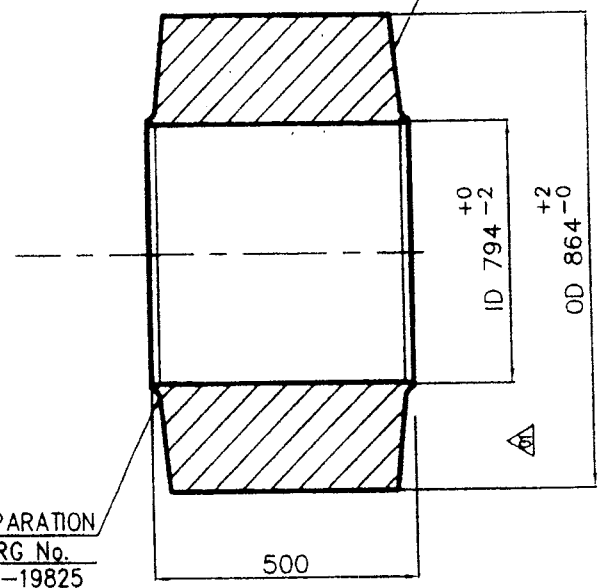
REV	DATE	ALTERED
01	05-05-06	APPROVED

ALL DIMENSIONS ARE IN MILLIMETRES

THICKNESS DIMENSION 100mm REMOVED.
REVISIONS ARE INDICATED AS Δ



EDGE PREPARATION
AS PER DRG No.
3-80-300-19825
STYLE-P, d1=794



EDGE PREPARATION
AS PER DRG No.
3-80-300-19825
STYLE P, d1=813

STANDARD

VAR NO.	DESCRIPTION	STD	92 517 915 0000	A	360 000
	MATCHING PIECE L= 500 (OD864x35 / OD864x27)		SA 105		
			MATL. CODE	A	UNIT
			MATL. SPECN.	C	DI
					UNIT.WT.(Kg)
					QTY.

BHARAT HEAVY ELECTRICALS LIMITED
PIPING CENTRE
CHENNAI 600 017

NAME	SIGN	DATE	NO. OF VAR
DRN A. PRIYA	<i>A. Priya</i>	10-11-05	
CHD M.C. SEKARAN	<i>M.C. Sekaran</i>	10-11-05	
APPD A. VELAYUTHAM	<i>A. Velayutham</i>	10-11-05	

DEPT	GRADE OF UNTOL. DIM	SCALE	WEIGHT (KG).	BHEL PO REF NO:	ITEM NO.	NO. OF ITEMS
CODE	C / M / F	N.T.S	360.000			
TITLE	CARD CODE		DRAWING NO.	REV		
MATCHING PIECE (OD864x35 / OD864x27)	U 01		4-80-320-60917	01		

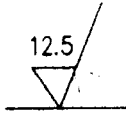
Size A4

VIA4

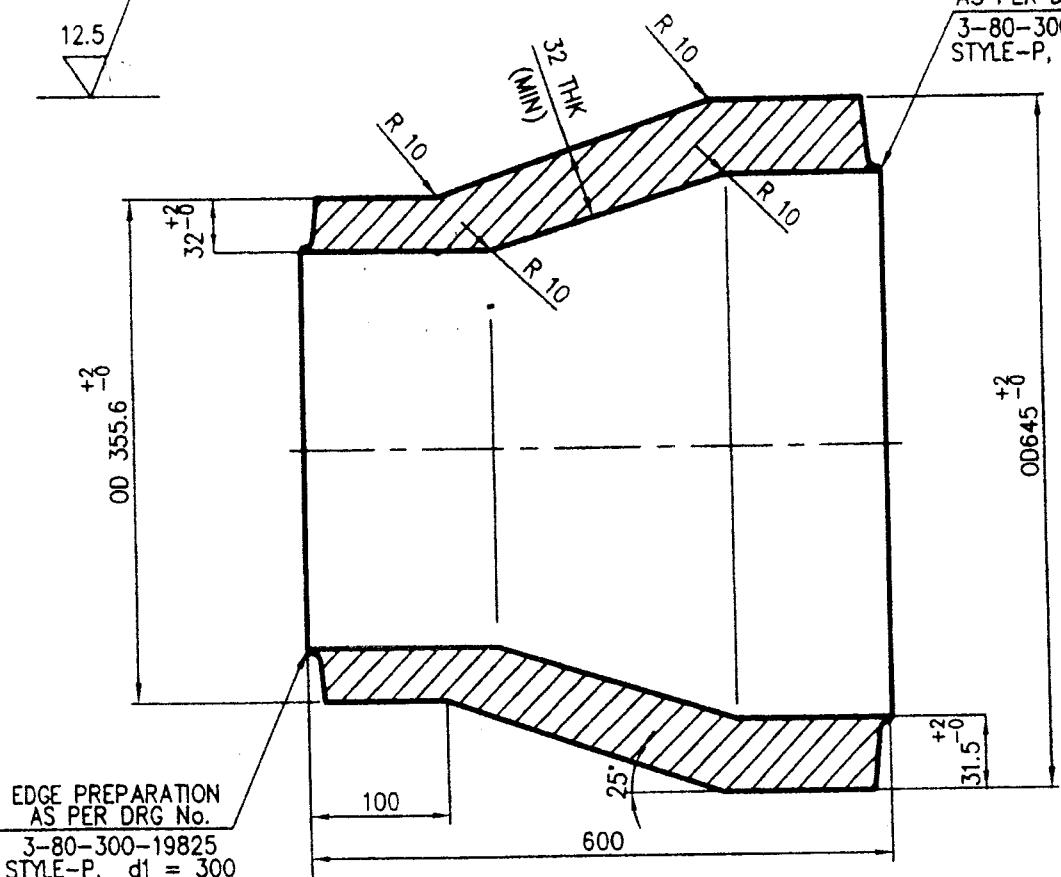
CAUTION: The information on this document is the property of BHARAT HEAVY ELECTRICALS LTD. It must not be used directly or indirectly in any way detrimental to the interest of the company.

REV	DATE	ALTERED
01		APPROVED

ALL DIMENSIONS ARE IN MILLIMETRES



EDGE PREPARATION AS PER DRG No. 3-80-300-19825 STYLE-P, d1 = 590



EDGE PREPARATION AS PER DRG No. 3-80-300-19825 STYLE-P, d1 = 300

	MATCHING PIECE L=600 OD645 x 31.5/OD 355.6 x 32	92 527 132 0004	A	241 000
VAR NO.	DESCRIPTION	MATL. CODE	UNIT	UNIT.WT.(Kg)
		MATL. SPECN.	DI	QTY.

STANDARD



BHARAT HEAVY ELECTRICALS LIMITED
PIPING CENTRE
CHENNAI 600 017

DRN	A. PRIYA	Sign	05-11-05	NO. OF VAR
CHD	M.C.SEKARAN	Sign	05-11-05	
APPD	A.VELAYUTHAM	Sign	05-11-05	

DEPT	GRADE OF UNTOL.DIM	SCALE	WEIGHT (KG).	BHEL PO REF.NO:	ITEM NO.	NO. OF ITEMS
CODE	C / M / F	N.T.S	241.000			

TITLE	CARD CODE	DRAWING NO.	REV
MATCHING PIECE (OD645x31.5/OD355.6x32)	U 01	4-80-321-60835	00

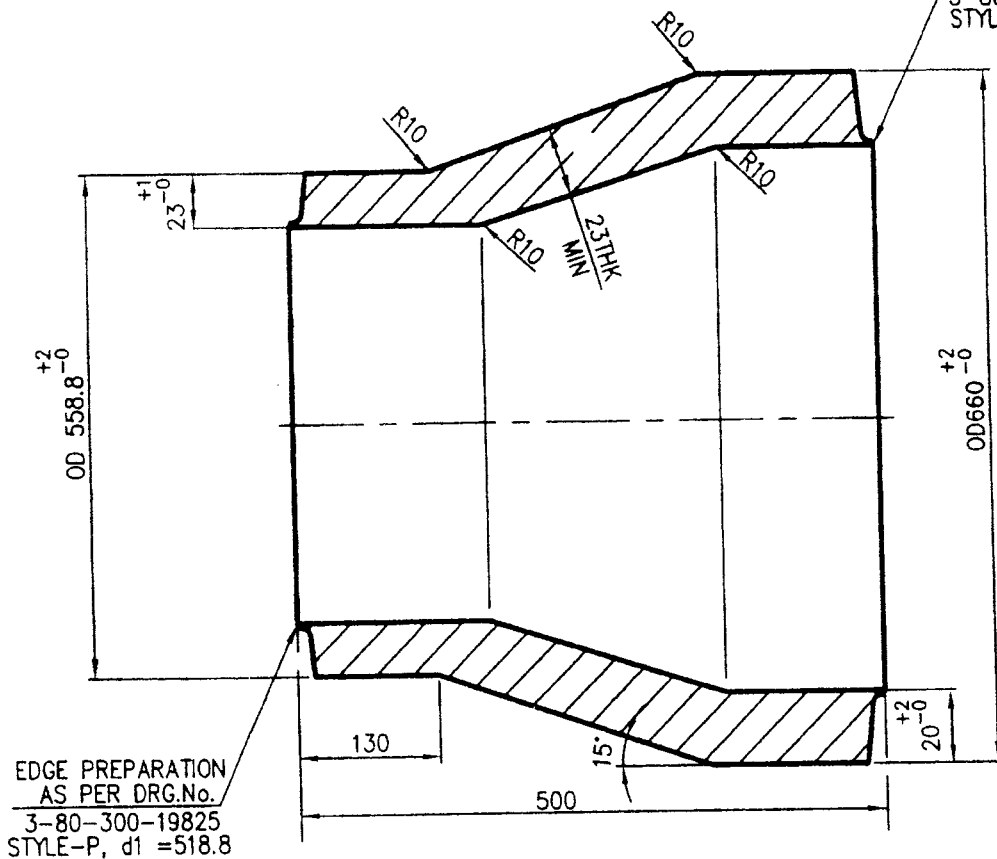
CAUTION: The information on this document is the property of BHARAT HEAVY ELECTRICALS LTD. It must not be used directly or indirectly in any way detrimental to the interest of the company.

REV	DATE	ALTERED
01		APPROVED

ALL DIMENSIONS ARE IN MILLIMETRES

12.5

EDGE PREPARATION
AS PER DRG.No.
3-80-300-19825
STYLE-P, d1=620



EDGE PREPARATION
AS PER DRG.No.
3-80-300-19825
STYLE-P, d1 =518.8

	MACHINED REDUCER OD660x20/OD558.8x23 L = 500	92 527 139 0000	A	154	000
VAR NO.	DESCRIPTION	STD	MATL. CODE	UNIT	UNIT.WT.(Kg)
			MATL. SPECN.	DI	QTY.

STANDARD



BHARAT HEAVY ELECTRICALS LIMITED
PIPING CENTRE
CHENNAI 600 017

	NAME	SIGN	DATE	NO.OF VAR
DRN	A. PRIYA	<i>A. Priya</i>	05-11-05	
CHD	M.C.SEKARAN	<i>M.C. Sekaran</i>	05-11-05	
APPD	A.VELAYUTHAM	<i>A. Velayutham</i>	05-11-05	

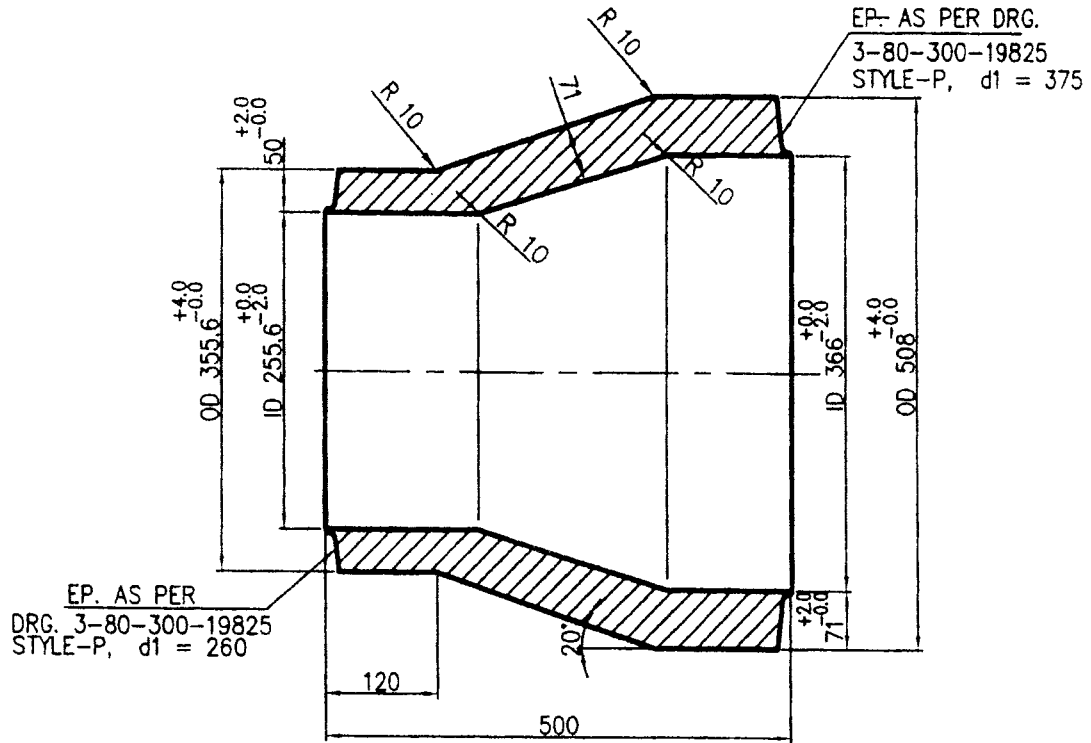
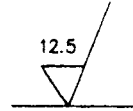
DEPT	GRADE OF UNTOL.DIM	SCALE	WEIGHT (KG).	BHEL PO REF.NO:	ITEM NO.	NO. OF ITEMS
CODE	C / M / F	N.T.S	154.000			

TITLE	CARD CODE	DRAWING NO.	REV
MACHINED REDUCER (OD660x20/OD558.8x23)	U 01	4-80-320-60834	00

CAUTION: The information on this document is the property of BHARAT HEAVY ELECTRICALS LTD. It must not be used directly or indirectly in any way detrimental to the interest of the company.

REV	DATE	ALTERED
		APPROVED

ALL DIMENSIONS ARE IN MILLIMETRES



MACHINED REDUCER L=500 OD 508x71/OD 355.6x50	92 527 140 0000	A	290 000
DESCRIPTION	SA 105	A	UNIT.WT.(Kg)
	MATL. CODE	C	QTY.
	MATL. SPECN.	DI	

STANDARD



BHARAT HEAVY ELECTRICALS LIMITED
PIPING CENTRE
CHENNAI- 600 017

DRN	NAME	SIGN	DATE	NO.OF VAR
CHD	B.UMASHANKAR	<i>B. Umashankar</i>	17.11.05	
APPD	M.C.SEKARAN	<i>M. C. Sekaran</i>	17.11.05	
	A.VELAYUTHAM	<i>A. Velayutham</i>	17.11.05	

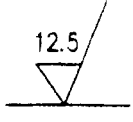
DEPT	GRADE OF UNTOLEDIM	SCALE	WEIGHT (KG).	REF. TO ASSY./OLD DRG.	ITEM NO.	NO. OF ITEMS
CODE	C / M / F	N.T.S	290.000			

TITLE	CARD CODE	DRAWING NO.	REV
MACHINED REDUCER (OD 508 x 71/OD 355.6 x 50)	U 01	4-80-423-60977	00

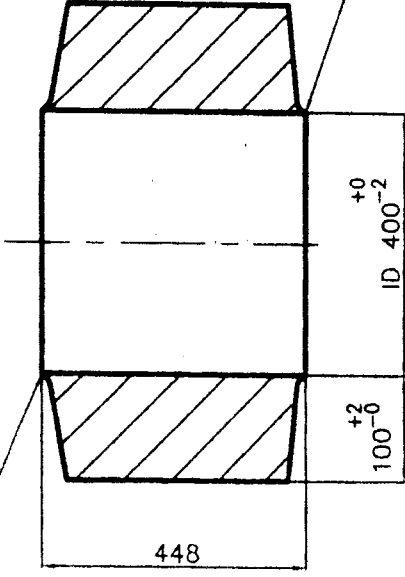
CAUTION: The information on this document is the property of BHARAT HEAVY ELECTRICALS LTD. It must not be used directly or indirectly in any way detrimental to the interest of the company.

REV	DATE	ALTERED
01		APPROVED

ALL DIMENSIONS ARE IN MILLIMETRES



EDGE PREPARATION
AS PER DRG No.
3-80-300-19825
STYLE-P, d1=400



EDGE PREPARATION
AS PER DRG No.
3-80-300-19825
FIGURE-X, d1=400

	MATCHING PIECE L = 448 ID400 Max x Thk 100 min	92 527 923 0000	A	552	000
		SA 182 F22 CL3			
VAR NO.	DESCRIPTION	MATL. CODE	A	UNIT	UNIT.WT.(Kg)
		MATL. SPECN.	C	DI	QTY.

STANDARD



BHARAT HEAVY ELECTRICALS LIMITED
PIPING CENTRE
CHENNAI 600 017

	NAME	SIGN	DATE	NO. OF VAR
DRN	A. PRIYA	<i>A. Priya</i>	05-11-05	
CHD	M.C. SEKARAN	<i>M. C. Sekaran</i>	05-11-05	
APPD	A. VELAYUTHAM	<i>A. Velayutham</i>	05-11-05	

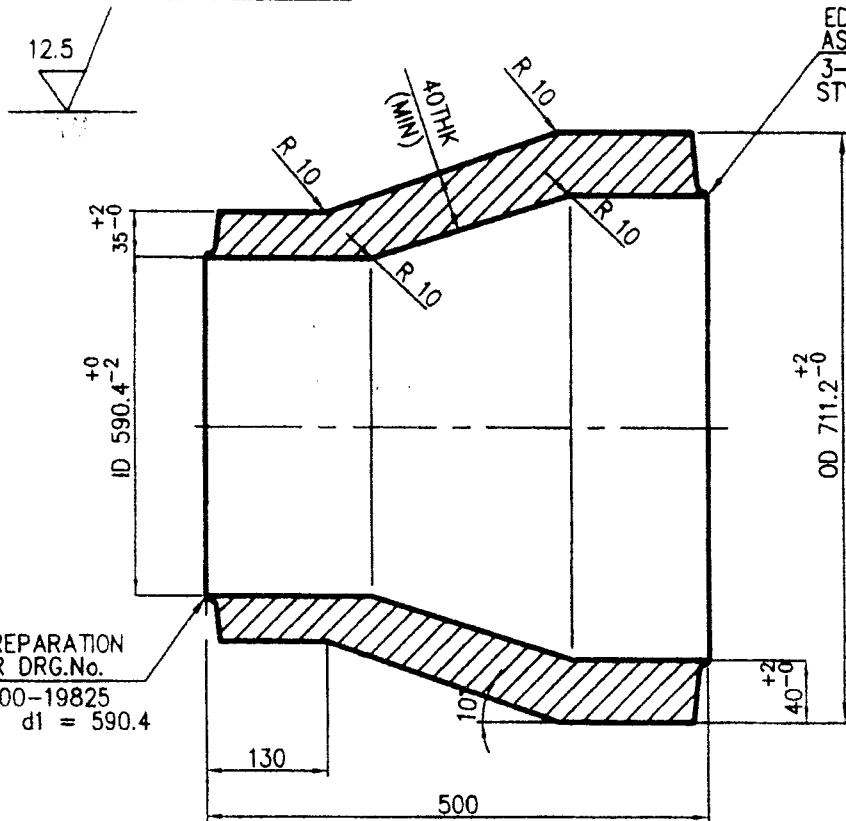
DEPT	GRADE OF UNTOL DIM	SCALE	WEIGHT (KG).	BHEL PO REF NO:	ITEM NO.	NO. OF ITEMS
CODE	C / M / F	N.T.S	552.000			

TITLE	CARD CODE	DRAWING NO.	REV
MATCHING PIECE (ID400MAX x Thk 100Min)	U 01	4-80-301-60824	00

CAUTION: The information on this document is the property of BHARAT HEAVY ELECTRICALS LTD. It must not be used directly or indirectly in any way detrimental to the interest of the company.

REV	DATE	ALTERED :
01		APPROVED :

ALL DIMENSIONS ARE IN MILLIMETRES



EDGE PREPARATION
AS PER DRG.No.
3-80-300-19825
STYLE- P, d1 = 635

EDGE PREPARATION
AS PER DRG.No.
3-80-300-19825
STYLE-P, d1 = 590.4

	MATCHING PIECE L=500 OD711.2x40/ID590.4max X 35min	92 527 926 0000	A	313 000
		SA 182 F22 CL3		
VAR NO.	DESCRIPTION	MATL. CODE	A/C/DI	UNIT
		MATL. SPECN.		QTY.

STANDARD



BHARAT HEAVY ELECTRICALS LIMITED
PIPING CENTRE
CHENNAI 600 017

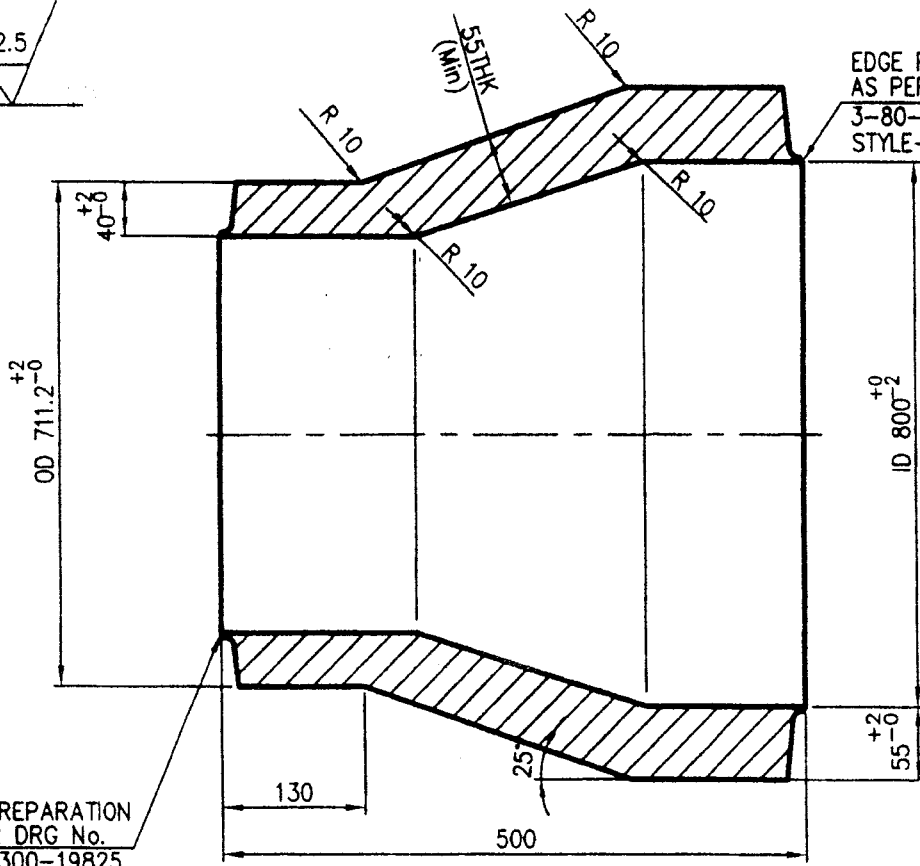
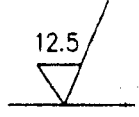
	NAME	SIGN	DATE	NO. OF VAR
DRN	A. PRIYA	<i>A. Priya</i>	05-11-05	
CHD	M.C.SEKARAN	<i>M. C. Sekaran</i>	05-11-05	
APPD	A. VELAYUTHAM	<i>A. Velayutham</i>	05-11-05	

DEPT	GRADE OF UNTO L.DIM	SCALE	WEIGHT (KG).	BHEL PO REF. NO.:	ITEM NO.	NO. OF ITEMS
CODE	C / M / F	N.T.S	313.000			
TITLE			CARD CODE	DRAWING NO.	REV	
MATCHING PIECE (OD711.2x40/ID590.4MAXx35MIN)			U 01	4-80-310-60827	00	

CAUTION: The information on this document is the property of BHARAT HEAVY ELECTRICALS LTD. It must not be used directly or indirectly in any way detrimental to the interest of the company.

REV	DATE	ALTERED
01		APPROVED

ALL DIMENSIONS ARE IN MILLIMETRES



EDGE PREPARATION AS PER DRG No. 3-80-300-19825 STYLE-P, d1=800

EDGE PREPARATION AS PER DRG No. 3-80-300-19825 STYLE -P, d1 = 635

VAR NO.	DESCRIPTION	STD	MATL. CODE	A/C	UNIT	UNIT.WT.(Kg)
	MATCHING PIECE L=500 ID800max x thk55min/ OD 711.2 X40		92 527 927 0000	A		509.000
			SA 182 F22 CL3			
			MATL. SPECN.	C	DI	QTY.

STANDARD

BHARAT HEAVY ELECTRICALS LIMITED
PIPING CENTRE
CHENNAI 600 017

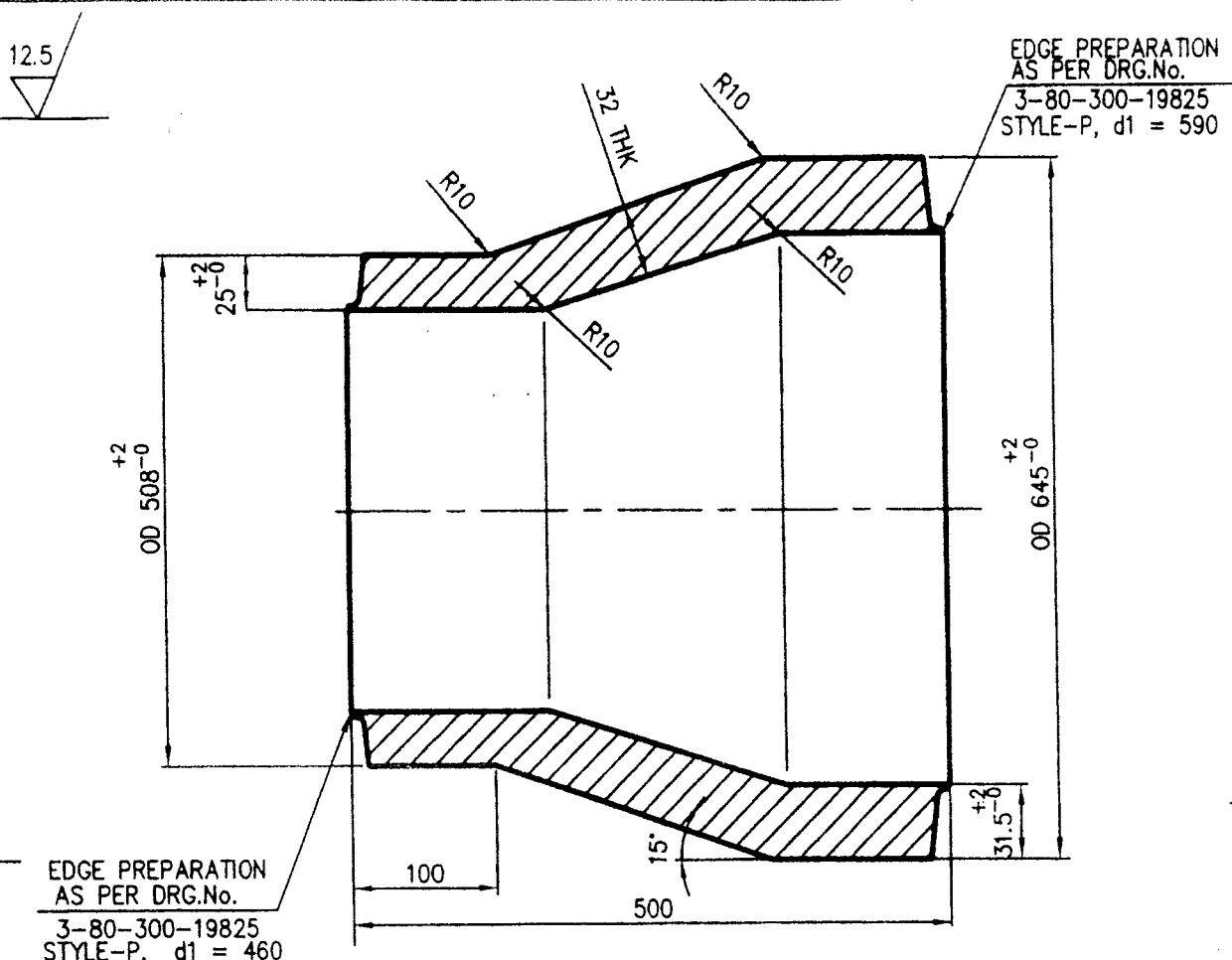
NAME	SIGN	DATE	NO. OF VAR
DRN A. PRIYA	<i>A. Priya</i>	05-11-05	
CHD M.C.SEKARAN	<i>M.C. Sekaran</i>	05-11-05	
APPD A.VELAYUTHAM	<i>A. Velayutham</i>	05-11-05	

DEPT CODE	GRADE OF UNTOL.DIM C / M / F	SCALE N.T.S	WEIGHT (KG) 509.000	BHEL PO REF.NO.	ITEM NO.	NO. OF ITEMS
-----------	------------------------------	-------------	---------------------	-----------------	----------	--------------

TITLE MATCHING PIECE (ID800maxXthk55min/OD711.2X40)	CARD CODE U 01	DRAWING NO. 4-80-310-60828	REV 00
--	-------------------	--------------------------------------	------------------

ELECTRICALS LTD. It must not be used directly or indirectly in any way or rental to the interest of the company.

REV	DATE	ALTERED	ALL DIMENSIONS ARE IN MILLIMETRES
01		APPROVED	



EDGE PREPARATION
AS PER DRG.No.
3-80-300-19825
STYLE-P, d1 = 460

EDGE PREPARATION
AS PER DRG.No.
3-80-300-19825
STYLE-P, d1 = 590

VAR NO.	DESCRIPTION	STD	92 527 929 0000	A	UNIT	211	000
			SA 182 F22 CL3				
			MATL. CODE	A		UNIT.WT.(Kg)	
			MATL. SPECN.	C	DI	QTY.	

STANDARD



BHARAT HEAVY ELECTRICALS LIMITED
PIPING CENTRE
CHENNAI 600 017

	NAME	SIGN	DATE	NO. OF VAR
DRN	A. PRIYA	<i>A. Priya</i>	05-11-05	
CHD	M.C.SEKARAN	<i>M.C. Sekaran</i>	05-11-05	
APPD	A.VELAYUTHAM	<i>A. Velayutham</i>	05-11-05	

DEPT	GRADE OF UNTO. DIM	SCALE	WEIGHT (KG).	BHEL PO REF.NO:	ITEM NO.	NO. OF ITEMS
CODE	C / M / F					

TITLE	CARD CODE	DRAWING NO.	REV
MATCHING PIECE (OD645x31.5/OD508x25)	U 01	4-80-321-60836	00

