

DRG. NO. 3 521 90 0 2594

THE INFORMATION ON THIS DOCUMENT IS THE PROPERTY OF BHARAT HEAVY ELECTRICALS LIMITED IT MUST NOT BE USED DIRECTLY OR INDIRECTLY IN ANY WAY DETRIMENTAL TO THE INTEREST OF THE COMPANY


110

VAR. 06	VAR. 05	VAR. 04	VAR. 03	VAR. 02	VAR. 01	VAR. 00	REMARKS	VAR NO.	ITEM NO.	DESCRIPTION	STD.	DRAWING NO.	IT. NO.	MATL. CODE.	A C	UNIT	UNIT WT.	QTY.
									014	WASHER MCD ST 8.4				AA7161001056		KG.	0.002	
																	001	
									013	SCRU. HEX. HD. M8 x 25 -A 8.8				AA7121123126		KG.	0.014	
																	001	
									012	SUPPORT CHANNEL FOR R&B PH. B.BAR & CONN.		25219007503				KG.	2.667	
													00				001	
									011	ASSY. OF EXTN. CHAMBER (298 DEEP)		15219002517				KG.		
													00				001	
									010	ASSY. OF EXTN. CHAMBER (524 DEEP)		15219002516				KG.		
													00				001	
									009	ASSY. OF EXTN. CHAMBER (820 DEEP)		15219002505				KG.	177.079	
							GES 409510141						01				001	
									008	BLANKING SHEET		35219002531				KG.	6.205	
													001				001	
									007	REAR COVER WITHOUT INTER LOCK		25219002510				KG.	24.334	
							GES 409510199						00				001	
									006	ASSY. OF BREAKER DOOR		15219002506				KG.	20.031	
													00				001	
									005	DIVISION SHEET (MIDDLE)		25219002512		002		KG.	3.680	
																	001	
									004	DIVISION SHEET (BOTTOM)		25219002511				KG.	8.766	
													00				001	
									003	DIVISION SHEET (TOP)		25219002511				KG.	6.909	
													01				001	
									002	ASSY. OF CT/BB CHAMBER		15219002505				KG.	127.238	
							GES 409510140						00				001	
									001	ASSY. OF BREAKER CHAMBER		15219002504				KG.	173.990	
													00				001	

INVENTORY NO. SIGN. & DATE REF. DRG. NO.

ADDITIONAL INFORMATION -
STATUS OF DRAWING -
DISTRIBUTION OF PRINTS
TCX -1 SWGR SHOP -3
O.C. -1

उत्पाद का प्रकार या
ग्रहक/परियोजना का नाम
TYPE OF PRODUCT OR
NAME OF CUSTOMER/PROJECT
VM12 (BT-II)

	भारत हेवी इलेक्ट्रिकल्स लिमिटेड भोपाल BHARAT HEAVY ELECTRICALS LTD. BHOPAL		कन्या DRN	नाम/ NAME	हस्ता/ SIGN	दिनांक/ DATE	वे. र. की संख्या NO. OF VAR
	जेंचा CHK	S.S.A.	Sd/-	22.01.02	06		
	अनुमोदित APPD	J.S.P.	Sd/-	22.01.02			

REV.	DATE	ALTERED	AKN	REV.	DATE	ALTERED	AT	REV.	DATE	ALTERED	MKN	विभाग DEPT	उम. टल. माप की श्रेणी UNTL.DIMS. GR.	अनुपात SCALE	भर. वजन WEIGHT (K.G.)	उत्प्रे. ड्राईंग का संदर्भ REF. TO ASSY. DRG.	मद. नं. ITEM NO.	मद. संख्या NO. OF ITEM	
12	11.10.21	CHECKED	AT	11	31.08.19	CHECKED	AT	10	31.08.12	CHECKED	RG	कोड CODE	409	1:1	-	-	-	044	
		APPROVED	AD			APPROVED	AD			APPROVED	MAK								
		- V06 ADDED FOR PSPCL PROJECT. - ITEM 042, 043 & 044 ADDED. - WEIGHT ADDED AGAINST VAR 06.				- V05, & ITEM 037 TO 041 ADDED.				- ITEM 032 TO 036 ADDED. - ITEM 005 DELETED. - ITEM 023 & 024 READED. - 3 NOS. OF ITEM 008 CALLED. - ITEM 001 & 006: PAD LOCK ARRNGMT. ADDED. - ITEM 007 MODIFIED: REAR COVER CHANGED.									
		(DCA NO. 37298)				(DCA NO. 36155)				(DCA NO. 31231)									
												शीर्षक/TITLE VM12 FIXED PORTION ASSY. WITH & WITHOUT EXTN. CHAMBER (700 WIDE)		उत्प्रे. ड्राईंग का संदर्भ REF. TO ASSY. DRG. 3 521 90 0 2594		पृष्ठ नं./SHT. No. 02		पृष्ठों की संख्या/ NO. OF SHT. 04	

THE INFORMATION ON THIS DOCUMENT IS THE PROPERTY OF BHARAT HEAVY ELECTRICALS LIMITED IT MUST NOT BE USED DIRECTLY OR INDIRECTLY IN ANY WAY DETRIMENTAL TO THE INTEREST OF THE COMPANY

DRG. NO. 3 521 90 0 2594

VAR. 06	VAR. 05	VAR. 04	VAR. 03	VAR. 02	VAR. 01	VAR. 00	REMARKS	VAR NO.	ITEM NO.	DESCRIPTION	STD.	DRAWING NO.	IT. NO.	MATL. CODE.	A	C	UNIT	UNIT WT.	QTY.
									044	REAR COVER ASSY		25219001544	00				KG.	-	001
									043	ASSY. OF DOOR		15219002504	01				KG.	-	001
									042	ASSY. OF BREAKER CHAMBER		15219002504	01				KG.	173.990	001
	001								041	BOTTOM COVER 1-3C		35219006514	00				KG.	7.47	001
	001								040	REAR COVER WITHOUT INTER LOCK		25219002510	01				KG.	24.334	001
	001								039	ASSY. OF BREAKER DOOR		15219002506	01				KG.	20.031	001
	001								038	ASSY. OF BREAKER CHAMBER		15219002504	01				KG.	173.990	001
001	001								037	DOOR INTERLOCK BRACKET		35219001042	001				KG.	-	001
-		001	001	001	001	001	GES-409520012		036	ARRGT. OF DOOR INTER-LOCK ON FIXED PORTION		25219002543	00				KG.	1.718	001
-		001	001	001	001	001	GES-409510155		035	INTERLOCK ASSY. ON BREAKER DOOR		15219002515	00				KG.	1.044	001
001	001	001	001	001	001	001	GES-409520013		034	BDM FOR EMERGENCY TRIPPING		35219001570	00				KG.	2.616	001
001	001	001	001	001	001	001	GES-409560049		033	EARTHING ARRG. BKR. CH. (5X40 Cu.)		35219002608	02				KG.	5.315	001
001	001	001	001	001	001	001	GES-409550060		032	ASSY. OF PLUG AND SOCKET WITH INTERLOCK		15212001541	00				KG.	2.215	001


35219002594-R10-S04 REF. DRG. NO.

SIGN. & DATE

INVENTORY NO.

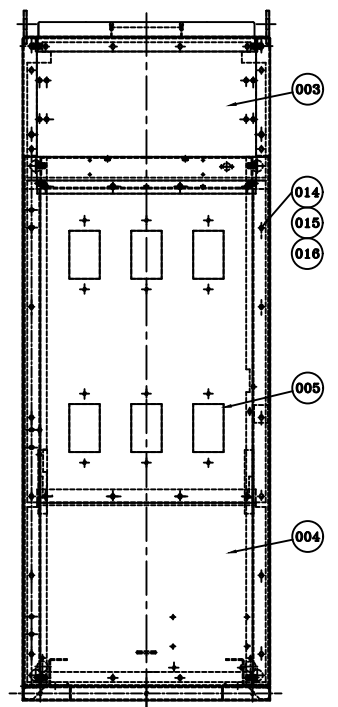
ADDITIONAL INFORMATION -
 STATUS OF DRAWING -
 DISTRIBUTION OF PRINTS
 TCX -1 SWGR SHOP -3
 O.C. -1

उत्पाद का प्रकार या ग्राहक/परियोजना का नाम
 TYPE OF PRODUCT OR NAME OF CUSTOMER/PROJECT
VM12 (BT-II)

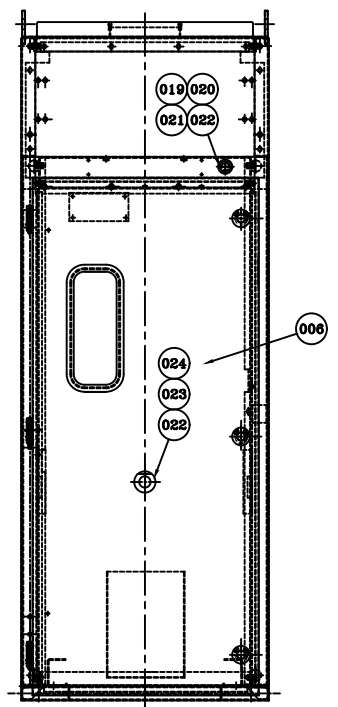
 भारत हेवी इलेक्ट्रिकल्स लिमिटेड भोपाल BHARAT HEAVY ELECTRICALS LTD. BHOPAL	कमावा DRN	नाम/NAME	हस्ता/ SIGN	दिनांक/ DATE	वे.र. की संख्या NO. OF VAR
	जेंचा CHK	S.S.A.	Sd/-	22.01.02	06
	अनुमोदित APPD	J.S.P.	Sd/-	22.01.02	

REV.	DATE	ALTERED	AKN	REV.	DATE	ALTERED	AT	REV.	DATE	ALTERED	MKN	विभाग DEPT	अन. टा. माप की श्रेणी UNTDL.DIMS. GR.	अनुपात SCALE	भार WEIGHT (K.G.)	उत्प्रे. ड्राईंग का संदर्भ REF. TO ASSY. DRG.	मद. नं. ITEM NO.	मद. संख्या NO. OF ITEM			
12	11.10.21	CHECKED	AT	11	31.08.19	CHECKED	AT	10	31.08.12	CHECKED	RG	SWE	-	1:1	-	-	-	044			
		APPROVED	AD			APPROVED	AD			APPROVED	MAK	कोड CODE	409								
		- V06 ADDED FOR PSPCL PROJECT. - ITEM 042, 043 & 044 ADDED. - WEIGHT ADDED AGAINST VAR 06. (DCA NO. 37298)				- V05, & ITEM 037 TO 041 ADDED. (DCA NO. 36155)				- ITEM 032 TO 036 ADDED. - ITEM 005 DELETED. - ITEM 023 & 024 READED. - 3 NOS. OF ITEM 008 CALLED. - ITEM 001 & 006: PAD LOCK ARRNGMT. ADDED. - ITEM 007 MODIFIED: REAR COVER CHANGED. (DCA NO. 31231)											
												शीर्षक/TITLE	BOM OF BREAKER WITH & WITHOUT EXTN. CHAMBER VM-12 (BT-II) - 700 WIDE		उत्प्रे. ड्राईंग का संदर्भ REF. TO ASSY. DRG.	3 521 90 0 2594		पृष्ठ नं./SHT. No.	04	पृष्ठों की संख्या/ NO. OF SHT.	04

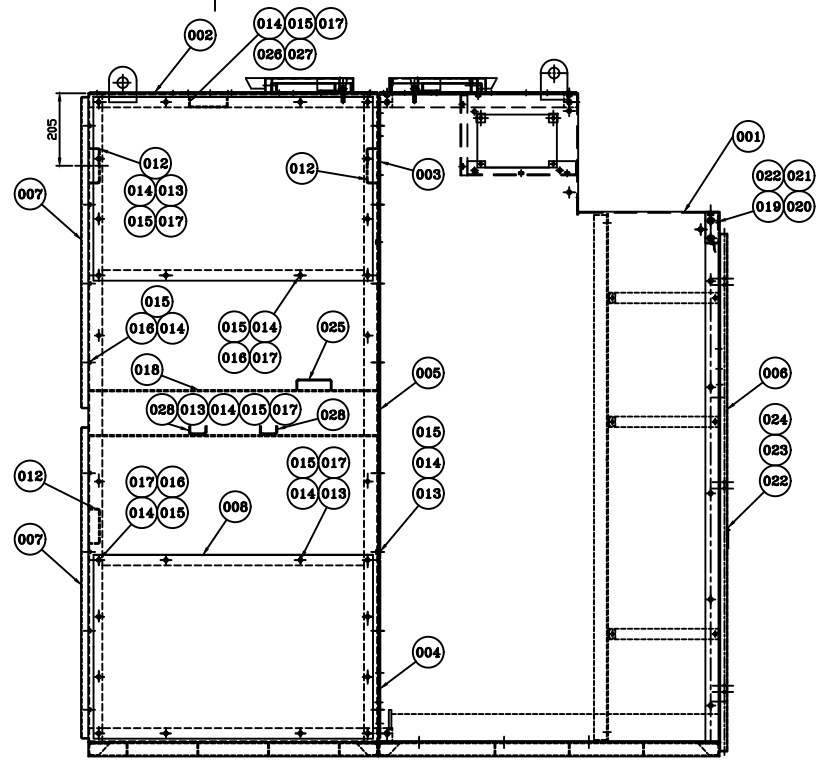
DRG. NO. 15219002519



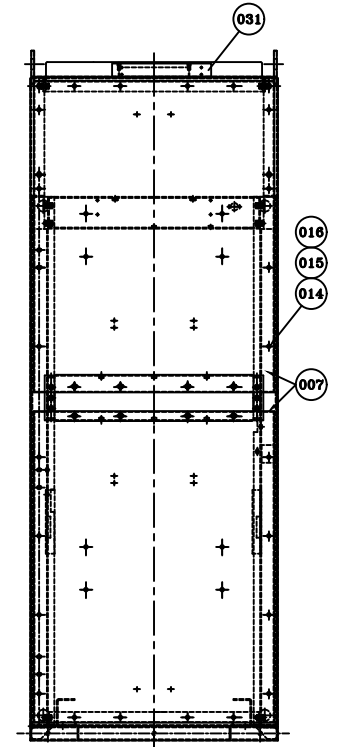
FRONT VIEW
(DOOR REMOVED)



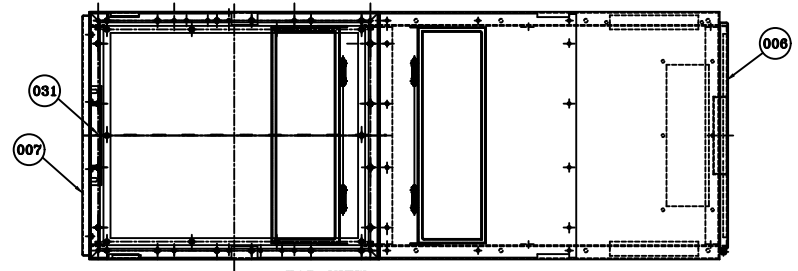
FRONT VIEW



SIDE VIEW
VAR. 00



REAR VIEW



TOP VIEW

FOR R.O.M. REFER DRG. NO. 35219002594-VAR. 00

THE INFORMATION ON THIS DOCUMENT IS THE PROPERTY OF BHARAT HEAVY ELECTRICALS LIMITED. IT MUST NOT BE USED DIRECTLY OR INDIRECTLY IN ANY WAY DETRIMENTAL TO THE INTEREST OF THE COMPANY.

15219002519-R02-001

69	64	65	70	71	63	67	69	68	68	77	69	64	68	68	70	69	68
VAR.00	REMARKS	VAR. NO.	ITEM NO.	DESCRIPTION	DRAWING NO.	MATL. CODE	MATL. SPECN	UNIT	VT.	QTY.	ITEM NO.	ITEM NO.	ITEM NO.	ITEM NO.	ITEM NO.	ITEM NO.	ITEM NO.
<p>28 - CARD TYPE-3 29 - CARD TYPE-1 28 - CARD TYPE-2</p> <p>ADDITIONAL INFORMATION</p> <p>STATUS OF DRAWING: B</p> <p>DISTRIBUTION OF PRINTS: O/C - 1 TCX - 1, SWM - 3</p> <p>REV. DATE ALTERED CHECKED AT APPROVED</p> <p>04 22.10.21 SKG AT APPROVED</p> <p>03 08.07.21 APPROVED PUNJIT</p> <p>02 03.01.07 APPROVED ANITA</p> <p>01 07.11.02 APPROVED</p> <p>ITEM 029 & VAR-04 ADDED.</p> <p>ITEM 029 & VAR-04 ADDED.</p> <p>ITEM 029 & VAR-04 ADDED.</p> <p>ITEM 029 & VAR-04 ADDED.</p>																	
<p>VM-12 (BT-II)</p> <p>REV. NAME/LEVEL/SIGN/DATE</p> <p>S.U.S. 17.02.02</p> <p>S.S.A. 17.02.02</p> <p>J.S.P. 17.02.02</p> <p>SCALE: 1:7.5</p> <p>ASSY. OF VM-12 FIXED PORTION WITH & WITHOUT EXTN. CHAMBER (700 WIDE)</p> <p>15219002519</p> <p>04</p>																	

REV.	DATE	ALTERED	CHECKED	AT	APPROVED	REV.	DATE	ALTERED	CHECKED	AT	APPROVED	REV.	DATE	ALTERED	CHECKED	AT	APPROVED
04	22.10.21	SKG	AT	APPROVED	03	08.07.21	APPROVED	PUNJIT	02	03.01.07	APPROVED	ANITA	01	07.11.02	APPROVED		

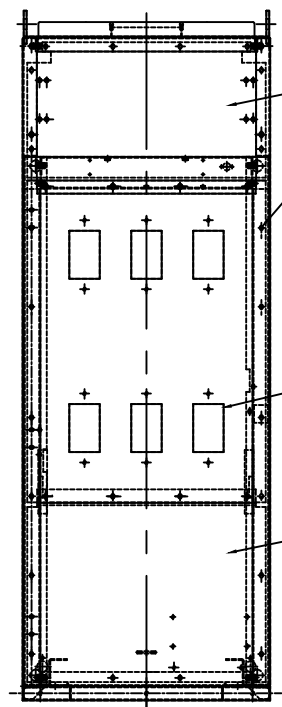
(DCA NO. 37329)

(DCA NO. 30481)

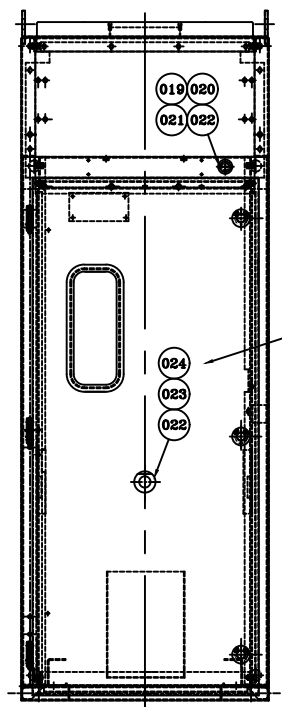
(DCA NO. 26532)

(DCA 11854)

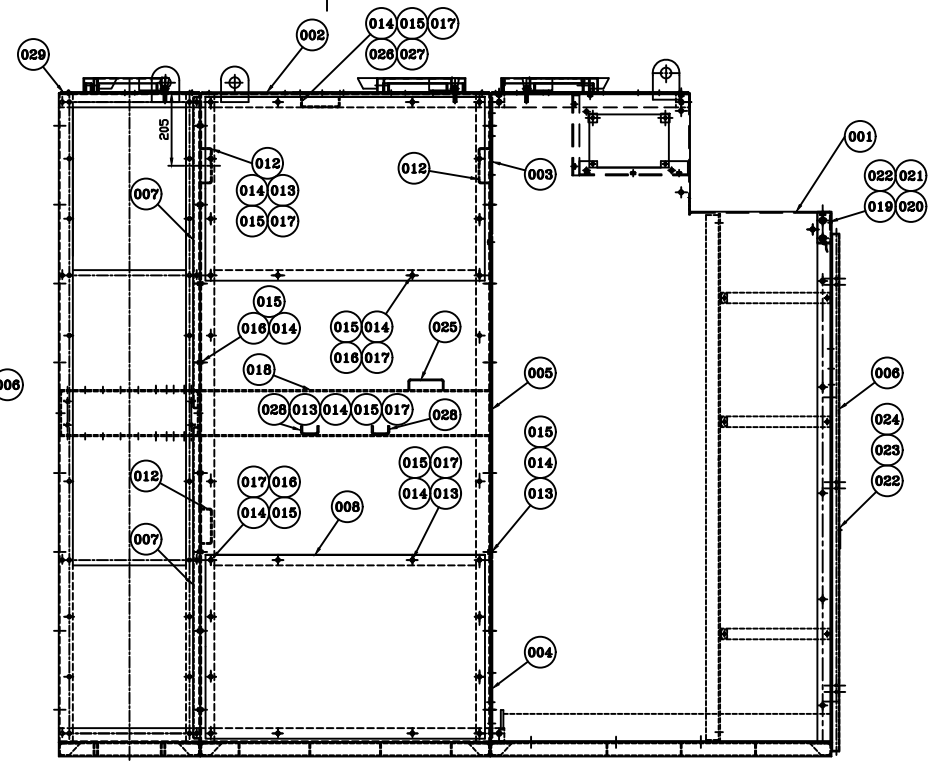
DRG. NO. 15219002519



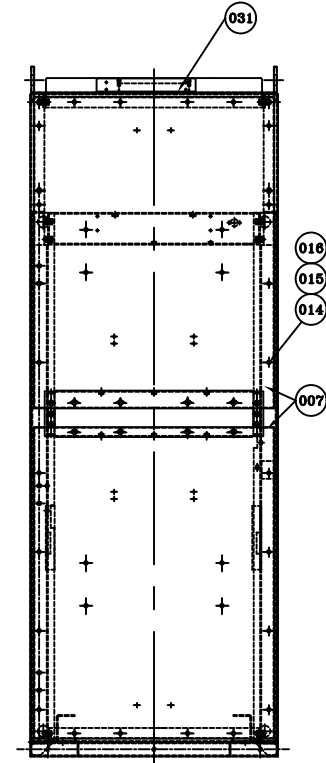
FRONT VIEW
(DOOR REMOVED)



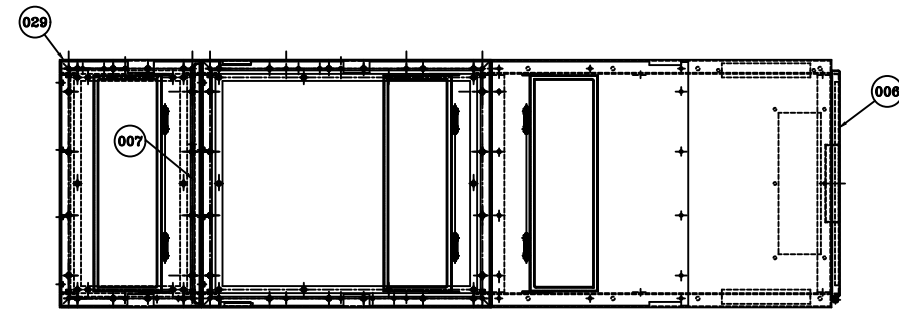
FRONT VIEW



SIDE VIEW
VAR. 04



REAR VIEW



TOP VIEW

FOR R.O.M. REFER DRG. NO. 35219002594-VAR. 00

THE INFORMATION ON THIS DOCUMENT IS THE PROPERTY OF BHARAT HEAVY ELECTRICALS LIMITED. IT MUST NOT BE USED DIRECTLY OR INDIRECTLY IN ANY WAY DETRIMENTAL TO THE INTEREST OF THE COMPANY.

15219002519-R02-S02

69	64	65	70	71	66	67	68	69	68	77	69	30	34	35	36	37	38	39	40
VAR.00	REMARKS	VAR. NO.	ITEM NO.	DESCRIPTION	DRAWING NO.	MATL. CODE	MATL. SPECN	UNIT	VT.	QTY.	REV.	DATE	BY	CHKD.	APPRD.	DATE	BY	CHKD.	APPRD.
ADDITIONAL INFORMATION STATUS OF DRAWING: B DISTRIBUTION OF PRINTS: O/C - 1 TCX - 1 SWM - 3										VM-12 (BT-II) REV. NAME/LEVEL/SIGNATURE/DATE S.U.S. 17.02.02 S.S.A. 17.02.02 J.S.F. 17.02.02 ASSY. OF VM-12 FIXED PORTION WITH & WITHOUT EXTN. CHAMBER (700 WIDE)									
REV.	DATE	ALTERED	CHECKED	APPROVED	REV.	DATE	ALTERED	CHECKED	APPROVED	REV.	DATE	ALTERED	CHECKED	APPROVED	REV.	DATE	ALTERED	CHECKED	APPROVED
					04	22.10.21					03	08.07.11				02	03.01.07		

THE INFORMATION ON THIS DOCUMENT IS THE PROPERTY OF BHARAT HEAVY ELECTRICALS LIMITED IT MUST NOT BE USED DIRECTLY OR INDIRECTLY IN ANY WAY DETRIMENTAL TO THE INTEREST OF THE COMPANY

DRG. NO. 35219002015

Weight for V00 61.5 KG

VAR. NO.	REMARKS	VAR. NO.	ITEM NO.	DESCRIPTION	STD.	DRAWING NO.	IT. NO.	MATL. CODE	UNIT	UNIT WT.	QTY.	ZONE
001	REFER MID	024	024	CONTACTOR, RESISTOR MOUNTING PLATE		35210052552	001		KG.	1.120		
002	BP9309091347	023	023	HINGE (L.H.)		35611154000	002		KG.	0.084		
046		022	022	NUT HEX. A M8- 8				AA7151115024	KG.	0.005		
010		021	021	SCRU HEX. A M8 X 20 - 8.8				AA7121123118	KG.	0.012		
016		020	020	WASHER SPRING LOCK SCB 8-ST				AA7164002053	KG.	0.002		
016		019	019	WASHER MCD 8.4 STEEL				AA7161001056	KG.	0.008		
006		018	018	SCRU HEX. A M8 X 16 - 8.8				AA7121123100	KG.	0.011		
020		017	017	SCRU HEX. AM6 X 16 - 8.8				AA7121123045	KG.	0.005		
010		016	016	WASHER SPRING LOCK SCB 6-ST				AA7164002045	KG.	0.002		


→ CARD TYPE-3

28 → CARD TYPE-1

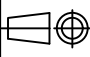
28 → CARD TYPE-2

ADDITIONAL INFORMATION			
STATUS OF DRAWING			
DISTRIBUTION OF PRINTS B			
O/C-1		SWM-3	
TCX-1			

उत्पाद का प्रकार या ग्राहक/परियोजना का नाम		VM 12	
TYPE OF PRODUCT OR NAME OF CUSTOMER/PROJECT			

	भारत हेवी इलेक्ट्रिकल्स लिमिटेड		क्रमांक	नाम/ NAME	हस्ता/ SIGN	दिनांक/ DATE	वे. र. की संख्या
	भोपाल		DRN	MKN	Sd/-	21.02.13	NO. OF VAR
	BHARAT HEAVY ELECTRICALS LTD. BHOPAL		वे. र. की संख्या	PARE	Sd/-	21.02.13	01
			अनुमोदित APPD	MAK	Sd/-	21.02.13	

INVENTORY NO.	SIGN. & DATE	REF. DRG. NO.	REV.	DATE	ALTERED	AT	REV.	DATE	ALTERED	AT
			02	21.10.21	CHECKED	AT	01	08.12.16	CHECKED	AT
					APPROVED	AD			APPROVED	AD

विभाग DEPT	SWE	अन. टोल. माप की श्रेणी UNTO.L.DIMS. GR.		अनुपात SCALE	भार. कि.मा. WEIGHT (K.G.)	उत्प्रे. ड्राईंग का संदर्भ REF. TO ASSY. DRG.	मद. क्र. ITEM NO.	मद. संख्या NO. OF ITEM
कोड CODE	409				-	15219002003		024
शीर्षक/TITLE						उत्प्रे. ड्राईंग का संदर्भ REF. TO ASSY. DRG.		पुन./REV
BOM. OF INSTRUMENT PANEL						उत्प्रे. ड्राईंग का संदर्भ REF. TO ASSY. DRG.		01
						उत्प्रे. ड्राईंग का संदर्भ REF. TO ASSY. DRG.		01
						पृष्ठ क्र./SHT. No. 02		पृष्ठों की संख्या/ NO. OF SHT. 02

THE INFORMATION ON THIS DOCUMENT IS THE PROPERTY OF BHARAT HEAVY ELECTRICALS LIMITED. IT MUST NOT BE USED DIRECTLY OR INDIRECTLY IN ANY WAY DETRIMENTAL TO THE INTEREST OF THE COMPANY.

DRG NO 3 521 90 02581

VAR. 00 -SET OF END COVER
GES NO. 409510220


VAR. 01 -SET OF END COVER FOR NEW VM12(700)
WEIGHT FOR V01 : 58.5 KG

VAR.01	VAR.00 NO.	REMARKS	ITEM NO.	DESCRIPTION	STD.	DRAWING NO.	IT. NO.	MATL. CODE.	A/C	UNIT	UNIT WT.	QTY.
			008	END PANEL COVER FOR HIGH ARC FAULT		35219001688	008			Kg.	-	001
			007	END PANEL COVER FOR HIGH ARC FAULT		35219001688	007			Kg.	-	001
			006	END PANEL COVER FOR HIGH ARC FAULT		35219001688	005			Kg.	-	001
			005	END PANEL COVER FOR HIGH ARC FAULT		35219001688	004			Kg.	-	001
	002		004	EARTH BAR END COVER		45219002532	001			Kg.	-	001
	002		003	INST. PANEL END COVER		45219002533	001			Kg.	-	001
-	002		002	L.T. CHAMBER END COVER		25215001611	003			Kg.	-	001
-	004		001	C.T. CHAMBER END COVER		35219002531	002			Kg.	-	001

35219002581-R01-S01
REF.DRG.NO.

SIGN. & DATE

INVENTORY NO.

ADDITIONAL INFORMATION				TYPE OF PRODUCT OR NAME OF CUST/PROJ									
STATUS OF DRAWING B				VM 12 (BT II)									
DISTRIBUTION OF PRINTS कार्यालय प्रति ----- 1 दस. डबल्यू. दस. - 3 टी. सी. दस. ---- 1				 BHARAT HEAVY ELECTRICALS LIMITED BHOPAL				DRN	NAME	SIGN	DATE	NO. OF VAR	
								CKD	S.S.A.		22.01.02	01	
								APPD	J.S.P.		22.01.02		
REV. 02	DATE 14.10.21	ALTERED SKG	CHECKED AT	REV. 01	DATE 12.03.03	ALT. CKD	DEPT SWE	UN. TOL.DIM.GR. MEDIUM	SCALE NTS	WEIGHT (KG.)	REF TO ASSY	ITEM NO.	NO. OF ITEMS
		APPROVED AD		FOR ITEM 001 TO REF.DRG.NO.WAS 35219002531-001		APPD	409	AA0230208					008
VAR 01 & ITS WEIGHT ADDED. ITEM 005, 006, 007 & 008. ADDED.				TITLE				SET OF END COVERS			DRG NO 3 521 90 02581		REV. 02
DCA- 37304				(DCA 12172)							SHT.NO. 01	NO. OF SHT. 02	

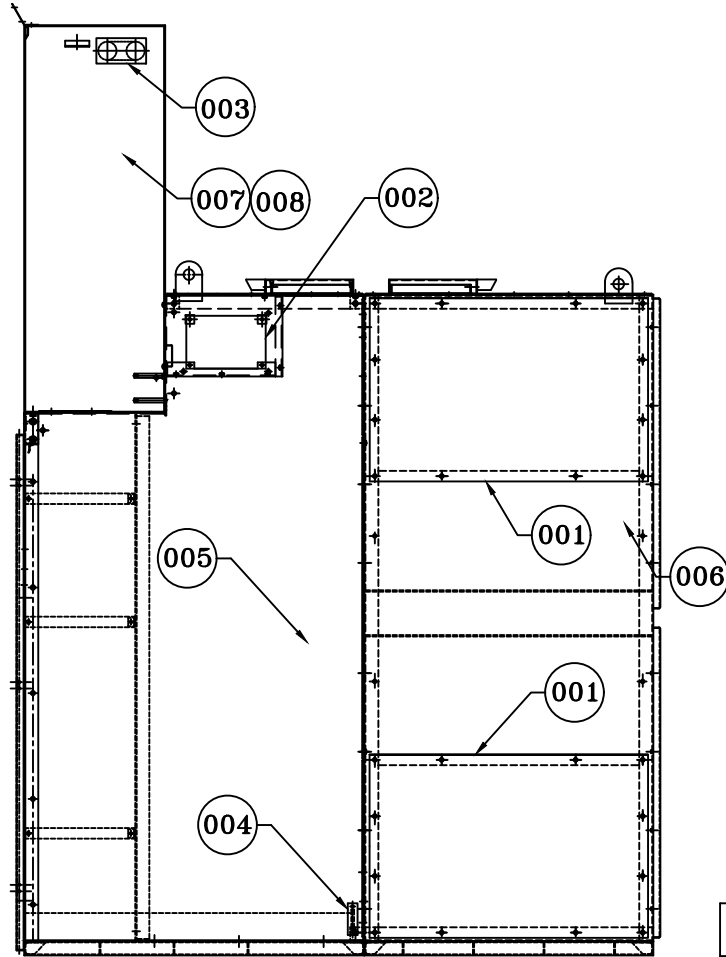
DRG NO 3 521 90 02581

THE INFORMATION ON THIS DOCUMENT IS THE PROPERTY OF BHARAT HEAVY ELECTRICALS LIMITED. IT MUST NOT BE USED DIRECTLY OR INDIRECTLY IN ANY WAY DETRIMENTAL TO THE INTEREST OF THE COMPANY.


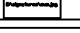

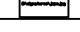
35219002581-R00-S02
REF.DRG.NO.

SIGN. & DATE

INVENTORY NO.



VAR 00 & V01

ADDITIONAL INFORMATION				TYPE OF PRODUCT OR NAME OF CUST/PROJ																							
STATUS OF DRAWING B				VM 12 (BT II)																							
DISTRIBUTION OF PRINTS कार्यालय प्रति ---- 1 दस. डब्ल्यू. दस. - 3 टी. सी. दस. ---- 1				 BHARAT HEAVY ELECTRICALS LIMITED BHOPAL			NAME		SIGN		DATE		NO. OF VAR														
				DRN		S.U.S.				22.01.02		01															
				CKD		S.S.A.				22.01.02																	
				APPD		J.S.P.				22.01.02																	
REV. 02		DATE 14.10.21		ALtered SKG		CHECKED AT		APPROVED AD		REV. 01		DATE 12.03.03		ALT. CKD		UN. TOL. DIMGR. MEDIUM AA0230208		SCALE NTS		WEIGHT (KG.)		REF TO ASSY		ITEM NO.		NO. OF ITEMS 008	
VAR 01 & ITS WEIGHT ADDED. ITEM 005, 006, 007 & 008. ADDED.				FOR ITEM 001 TO REF.DRG.NO.WAS 35219002531-001				DCA 12172				TITLE SET OF END COVERS				DRG NO 3 521 90 02581				REV. 02							
DCA- 37304												SHT.NO. 02				NO. OF SHT. 02											

FIRST ANGLE PROJECTION

(ALL DIMENSIONS ARE IN mm)

69910 06 129 8 521 90 01559 DRG. No.

VAR	WEIGHT
00	56.7
01	57.7
02	57.1

VAR. 02	VAR. 01	VAR. 00	REMARKS	65	75	78	79	25	27	29	DESCRIPTION	58	59	60	77	29	31	34	MATL. CODE	45	55	56	57	58	65	72	ZONE
VAR. 02	VAR. 01	VAR. 00										STD				IT.ND.			MATL. SPCN.		A	B	C	UNIT	WT.	QTY.	GS
										015	TRUCK STOP				4 521 9001 540	001								KG.	0.198	001	
										014	SPACER				4 521 9001 516	001								KG.	0.004	001	
										013	CONTACTOR MOUNTING PLATE				4 521 9001 515	001								KG.	0.142	001	
										012	AUX. SWITCH MOUNTING PLATE				2 521 9001 512	001								KG.	11.869	001	
										011	STIFFNER (R.H.)				3 521 9001 514	002								KG.	3.609	001	
										010	STIFFNER (L.H.)				3 521 9001 514	001								KG.	3.609	001	
										009	TOP SHEET				3 521 9001 500	001								KG.	4.385	001	
										008	FOLDED VERTICAL CHANNEL (R.H.)				2 521 9001 501	001								KG.	8.903	001	
										007	FOLDED VERTICAL CHANNEL (L.H.)				2 521 9001 500	001								KG.	8.903	001	
										006	ECCENTRIC SHAFT				3 521 9001 505	001								KG.	0.337	001	
										005	LOCKING PLATE				4 521 9001 502	001								KG.	0.017	001	
										004	BALL BEARING				4 521 9001 506	001								KG.	0.348	001	
										003	BOTTOM HORIZONTAL ANGLE				3 521 9001 538	001								KG.	1.322	001	
										002	WELDED ASSY. OF SECTION (R.H.)				3 521 9001 558	00								KG.	3.652	001	
										001	WELDED ASSY. OF SECTION (L.H.)				3 521 9001 557	00								KG.	3.652	001	

NOTE:-

- VAR.00 :-
BOLTED ASSEMBLY OF VCB TRUCK (GES NO. 409510169)
FOR ARRANGEMENT REFER DRAWING 15219001507
- VAR.01 :-
BOLTED ASSEMBLY OF FEEDER LINK TYPE TRUCK
(GES NO. 409560149) FOR ARRANGEMENT REFER
DRAWING 15219001507
- VAR.02 :-
BOLTED ASSEMBLY OF VCB TRUCK WITH ROLLER FOR TEST SERVICE LIMIT SWITCHES'
FOR ARRANGEMENT REFER DRAWING 15219001507

ADDITIONAL INFORMATION

STATUS OF DRAWING B

DISTRIBUTION OF PRINTS

O.C-1 TCX-1 SWM-3

उत्पाद का प्रकार या
ग्राहक/परियोजना का नाम
TYPE OF PRODUCT OR
NAME OF CUSTOMER/PROJECT

VM -12



भारत हेवी इलेक्ट्रिकल्स लिमिटेड
भोपाल
BHARAT HEAVY ELECTRICALS LTD.
BHOPAL

नाम/ NAME	हस्ता/ SIGN	दिनांक/ DATE	पे. नं. की संख्या/ NO. OF VCR
R. RAJORE		6.06.02	
S. KUMAR			01
INDRAPAL			

विभाग/ DEPT	SWE	उत्पा. टिप्पणी/ UNITS/DKS. GR.	म. सं. कोड/ M CODE	उत्पाद स्केल/ SCALE	भार/ वजन/ WEIGHT (KG.)	उत्प. इकाई का संकेत/ REF. TO ASSY. DRG.	सब क. सं. / ITEM NO.	सं. संख्या/ NO. OF ITEM
409		AA0230208		55.722		3 521 90 01507	001	044

शीर्षक/ TITLE	उत्प. सं. / DRAWING NO.	पृष्ठ सं./ SHEET NO.	पृष्ठों की संख्या/ NO. OF SHEETS
BOLTED ASSEMBLY OF TRUCK	3 521 90 01559	01	03

INVENTORY NO. 35219001559-R04-S01 REF. DRG. NO. SIGN. & DATE

REV.	DATE	ALTERED	AT	REV.	DATE	ALTERED	AT	REV.	DATE	ALTERED	AT
06	18.10.21	CHECKED	AT	05	31.08.19	CHECKED	AT	04	15.11.06	CHECKED	AT
		APPROVED	AD			APPROVED	AD			APPROVED	ANITA
		FOR V02 ITEM 016 & 038 DELETED.				-V02, ITEM 043, 044 & 045 ADDED.				ITEM 041 & 042 & VAR.01 ADDED.	
		(DCA NO. 37325)				(DCA NO. 36159)				(DCA NO. 26278)	
										(DCA NO. 25637)	

THE INFORMATION ON THIS DOCUMENT IS THE PROPERTY OF BHARAT HEAVY ELECTRICALS LIMITED IT MUST NOT BE USED DIRECTLY OR INDIRECTLY IN ANY WAY DETRIMENTAL TO THE INTEREST OF THE COMPANY

DRG. NO. 69910 06 129 6

VAR. 02	VAR. 01	VAR. 00	REMARKS	VAR. ND.	ITEM ND.	DESCRIPTION	STD	DRAWING NO.	IT.ND.	MATL. CODE	UNIT	UNIT WT.	QTY.	GS	ZONE
					030	NUT HEX. AM 8 - 8				AA7151115024	KG.	0.005	001		
					029	WASHER SPRING LOCK SC B8 ST				AA7164002053	KG.	0.002	001		
					028	WASHER MCD 8.4 ST				AA7161001056	KG.	0.002	001		
					027	SCRU HEX A M8x25-8.8				AA7121123126	KG.	0.014	001		
					026	NUT HEX. AM12-8				AA7151115040	KG.	0.018	001		
					025	WASHER SPRING LOCK SC B12-ST				AA7164002070	KG.	0.004	001		
					024	WASHER MCD 13-ST				AA7161001072	KG.	0.006	001		
					023	SCRU HEX A M12x30				AA7121123363	KG.	0.041	001		
					022	NUT HEX A M10-8				AA7151115032	KG.	0.012	001		
					021	WASHER MCD 10.5 ST				AA7161001064	KG.	0.004	001		
					020	WASHER SPRING LOCK SC BIO-ST				AA7164002061	KG.	0.003	001		
					019	SCRU HEX A M10x25-8.8				AA7121123223	KG.	0.026	001		
					018	WASHER SPRING LOCK SC-B16-ST				AA7164002088	KG.	0.009	001		
					017	NUT HEX. A M16-8				AA7151115059	KG.	0.034	001		
					016	BRACKET		3 521 9002 593		001	KG.	0.171	001		

35219001559-R03-S02 REF. DRG. NO.

INVENTORY NO. SIGN. & DATE

ADDITIONAL INFORMATION			
STATUS OF DRAWING B			
DISTRIBUTION OF PRINTS			
O.C-1	TCX-1	SWM-3	

उत्पाद का प्रकार या ग्राहक/परियोजना का नाम
VM -12
 TYPE OF PRODUCT OR NAME OF CUSTOMER/PROJECT

भारत हेवी इलेक्ट्रिकल्स लिमिटेड भोपाल
BHARAT HEAVY ELECTRICALS LTD. BHOPAL

कनका DRN R. RAJORE
 चेचा CKD S. KUMAR
 अनुमोदित APPD INDRAPAL

दिनांक/DATE 6.06.02
 वे. री. की संख्या NO. OF VAR 03

उत्पाद का संदर्भ REF. TO ASSY. DRG. 3 521 90 01507
 मद. संख्या ITEM NO. 001
 मद. संख्या NO. OF ITEM 044

आपक/TITLE **BOLTED ASSEMBLY OF TRUCK**
 आरेख नं./DRAWING NO. **3 521 90 01559**
 पृष्ठ नं./SHT. No. 02 पृष्ठों की संख्या/ NO. OF SHT. 03

REV.	DATE	ALTERED	AT	REV.	DATE	ALTERED	AT
06	18.10.21	CHECKED	AT	04	15.11.06	CHECKED	ANITA
		APPROVED	AD			APPROVED	
FOR V02 ITEM 016 & 038 DELETED. (DCA NO. 37325)				ITEM 041 & 042 & VAR.01 ADDED. (DCA NO. 26278)			
-V02, ITEM 043, 044 & 045 ADDED (DCA NO. 36159)				IT. 036,037,038,039 & 040 ADDED. (DCA NO. 25637)			

THE INFORMATION ON THIS DOCUMENT IS THE PROPERTY OF BHARAT HEAVY ELECTRICALS LIMITED IT MUST NOT BE USED DIRECTLY OR INDIRECTLY IN ANY WAY DETRIMENTAL TO THE INTEREST OF THE COMPANY

DRG. NO. 35211001904

NOTE-ITEM 008,038 TO 044 SUPPLY TO BE LOOSE IN PACKET FOR V02 WEIGHT OF V02: 22 KG

FOR ARRGT. REF. DRG.NO.15212001547

VAR.00:-FOR STD TRUCK GES- 409560044

VAR.01:-FOR CONTACTOR/PT/EARTHING TRUCK GES-409560045

VAR.02:-FOR VM12(700) STD TRUCK TRUCK GES-409591232

VAR02	VAR01	VAR00	REMARKS	VAR. NO.	ITEM NO.	DESCRIPTION	STD	DRAWING NO.	IT.ND.	MATL. COUDE	UNIT WT.	ZONE
				014	002	NUT HEX A M6-8		AA7151115016	NA		0.003	
				013	006	SCRU HEX SLT A M6X16-8.8		AA7121125978	NA		0.004	
				012	001	SCREW (SPECIAL)	45219002511	001	NA		0.0051	
				011	001	HANDLE FLAP	35219002545	00	NA		0.0565	
				010	001	WEDGE BRACKET	35211001797	001	NA		0.087	
				009	001	DOOR CATCH	35211001900	001	NA		0.326	
				008	002	STATION BRACKET	35211001800	001	NA		0.3575	
				007	001	CLAMP	35211001777	002	NA		0.2512	
				006	001	STRIKER	35211001777	00	NA		0.3991	
				005	001	PIN	35212001550	003	NA		0.019	
				004	001	PLUNGER	35211001846	001	NA		0.408	
				003	001	ASSY OF LEVER	35211001811	00	NA		1.3904	
				002	001	BOM FOR ASSY. OF LEAD SCREW	35211001809	01	NA		12.396	
				001	001	BOM FOR LEAD SCREW	35211001809	00	NA		17.677	

28 → CARD TYPE-3

28 → CARD TYPE-1

28 → CARD TYPE-2

35211001904-03- 01 INVENTORY NO. SIGN. & DATE REF. DRG. NO.

REV.	DATE	ALTERED	SKG
05	30.04.16	CHECKED	AKHIL
		APPROVED	MAK

REV.	DATE	ALTERED	AT
06	04.10.19	CHECKED	AT
		APPROVED	AD

- ITEM 036 ADDED.
(DCA NO. 33871)

- ITEM 037 TO 046 & V02 ADDED.
(DCA NO. 36227)

REV.	DATE	ALTERED	AKN
04	20.01.14	CHECKED	AKHIL
		APPROVED	MAK

REV.	DATE	ALTERED	AKN
03	20.02.13	CHECKED	AKHIL
		APPROVED	MAK

- ITEM 023 ADDED.
- QTY. OF ITEM 026 MADE 002
(DCA NO. 32359)

- ITEM 005 WAS 25211001581-008
(DCA NO. 29776)

ADDITIONAL INFORMATION			
REV.	DATE	ALTERED	SSA
02	01.08.07	CHECKED	KSM
		APPROVED	MAK
STATUS OF DRAWING			
B			
DISTRIBUTION OF PRINTS			
O.COPY-----1			
SWM-----3			
TCX-----1			
- BOM REARRANGED.			
- ITEM 026 TO 035 ADDED.			
(DCA NO. 26927)			

35211001904-03- 01		REF. DRG. NO.		VM12 - (BT) 35211001904 FOR VCB/CONTACTOR /PT/EARTH ARRGT. FOR VM12(820) TRUCK	
35211001904-03- 01 INVENTORY NO. SIGN. & DATE REF. DRG. NO.		35211001904-03- 01 INVENTORY NO. SIGN. & DATE REF. DRG. NO.		35211001904-03- 01 INVENTORY NO. SIGN. & DATE REF. DRG. NO.	
35211001904-03- 01 INVENTORY NO. SIGN. & DATE REF. DRG. NO.		35211001904-03- 01 INVENTORY NO. SIGN. & DATE REF. DRG. NO.		35211001904-03- 01 INVENTORY NO. SIGN. & DATE REF. DRG. NO.	

THE INFORMATION ON THIS DOCUMENT IS THE PROPERTY OF BHARAT HEAVY ELECTRICALS LIMITED IT MUST NOT BE USED DIRECTLY OR INDIRECTLY IN ANY WAY DETRIMENTAL TO THE INTEREST OF THE COMPANY

35211001904-03- 03
REF. DRG. NO.
SIGN. & DATE
INVENTORY NO.

DRG. NO. 35211001904

001				046	WEDGE BRACKET	35219002542	002		NA	Kg	0.087										
001				045	PLUNGER PIN	35212001512	002		NA	Kg	0.361										
001				044	INSTRUCTION LABEL B8-ST	45215001500	001		NA	Kg	0.001	001									
001				043	CATCH	35211001896	00		NA	Kg	-	001									
VAR02	VAR01	VAR00	65	75	78 79	25 27	29	DESCRIPTION	58	59	60	77	29 31 IT.ND.	34	MATL. CODE	45	55	UNIT WT.	65	72	ZONE
			REMARKS	VAR. NO.	ITEM NO.			DRAWING NO.	STD				32 33 VAR.	46	MATL. SPCN.	54	UNIT WT.	68	QTY.	71	GS

28 → CARD TYPE-3

28 → CARD TYPE-1

28 → CARD TYPE-2

REV. 05	DATE 30.04.16	ALTERED CHECKED	SKG AKHIL	REV. 06	DATE 04.10.19	ALTERED CHECKED	AT AD
		APPROVED	MAK			APPROVED	AD
- ITEM 036 ADDED. (DCA NO. 33871)				- ITEM 037 TO 046 & V02 ADDED. (DCA NO. 36227)			

ADDITIONAL INFORMATION			
STATUS OF DRAWING B			
DISTRIBUTION OF PRINTS			
O.COPY-----1 SWM-----3 TCX-----1			
REV. 02	DATE 01.08.07	ALTERED CHECKED	SSA KSM
		APPROVED	MAK
- BOM REARRANGED. - ITEM 026 TO 035 ADDED. (DCA NO. 26927)			

उत्पाद का प्रकार या ग्राहक/परियोजना का नाम
TYPE OF PRODUCT OR NAME OF CUSTOMER/PROJECT

VM12 - (BT)

कमपा DRN	नाम/ NAME	हस्ता/ SIGN	दिनांक/ DATE	वे.र. की संख्या NO. OF VAR
	S.U.S	Sd/-	6.05.06	03
वे.चा CKD	S.S.A	Sd/-	6.05.06	
उत्तुमादत APPD	M.A.K.	Sd/-	6.05.06	

भारत हेवी इलेक्ट्रिकल्स लिमिटेड
भोपाल
BHARAT HEAVY ELECTRICALS LTD.
BHOPAL

विभाग DEPT SWE
उत्तुमादत UNTO.L.DIMS. GR.
कोड CODE 409

अनुपात SCALE 1:1
भार. व.मा. WEIGHT (K.G.)

उत्तुमादत का संदर्भ REF. TO ASSY. DRG.
मद. नं. ITEM NO.
मद. संख्या NO. OF ITEM

046

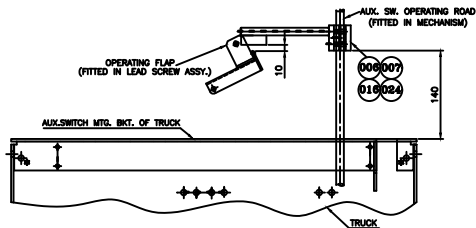
शीर्षक/TITLE
ASSY. OF LEAD SCREW & INTERLOCK FOR VCB/CONTACTOR /PT/EARTH ARRGT. FOR VM12(820) TRUCK

उत्तुमादत का संदर्भ REF. TO ASSY. DRG.
35211001904

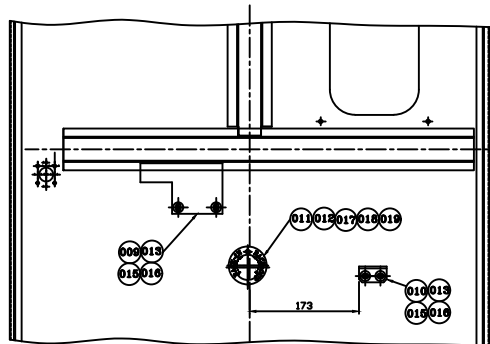
पृष्ठ नं./SHT. No. 04
पृष्ठों की संख्या/ NO. OF SHT. 04

15212001547

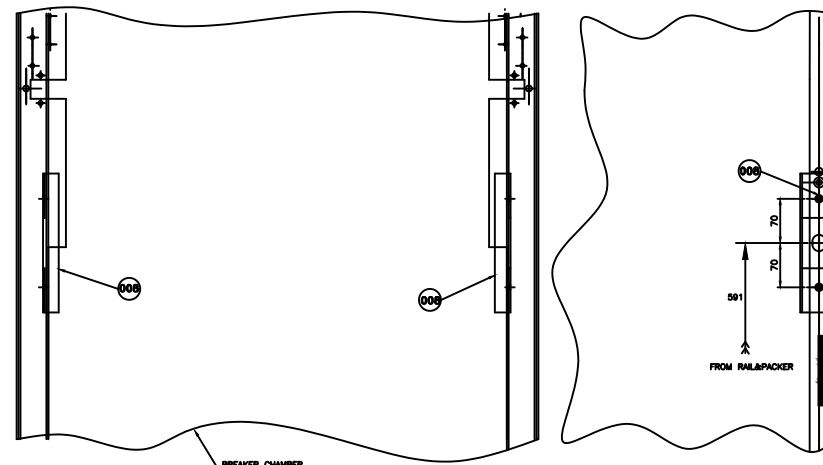
TEN DRAWING



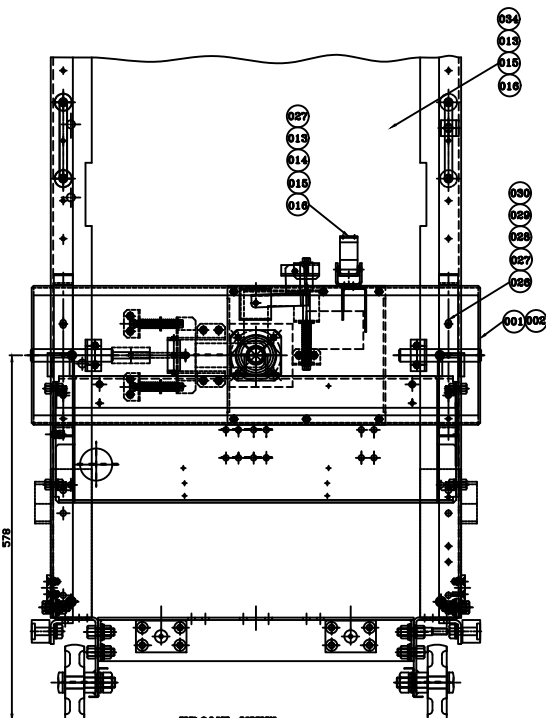
SETTING OF STRIKER
VAR.00



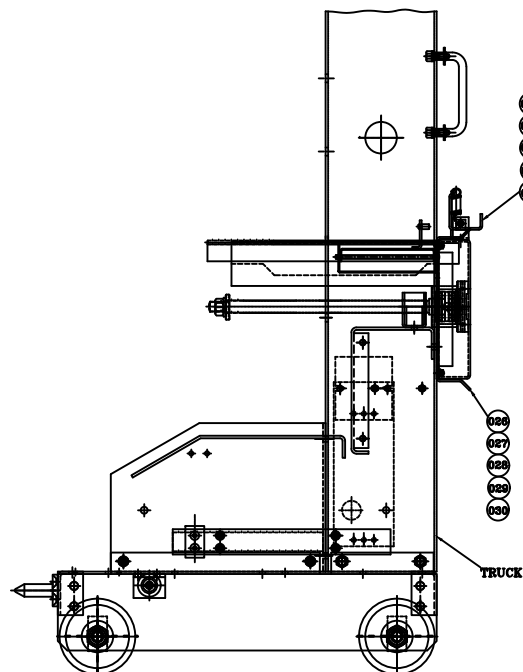
SETTING OF WEDGE & DOOR CATCH
REAR VIEW OF DOOR
VAR.00



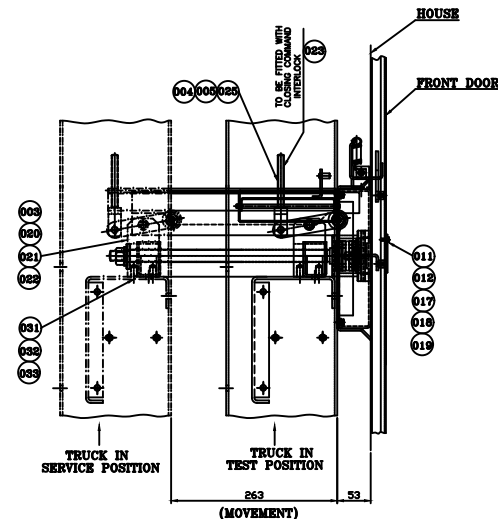
FITMENT OF STATION BRACKET



FRONT VIEW
(WITH-OUT HOUSE)



SIDE VIEW
(WITH-OUT HOUSE)



FOR BOM REF.DRG.35211001904-VAR.00,01

THE INFORMATION ON THIS DOCUMENT IS THE PROPERTY OF BHARAT HEAVY ELECTRICALS LIMITED. IT MUST NOT BE USED DIRECTLY OR INDIRECTLY IN ANY WAY DETRIMENTAL TO THE INTEREST OF THE COMPANY.

SIGN & DATE
REF. DRG. NO.
INVENTORY NO.

REV	DATE	ALTERED CHECKED APPROVED	REV	DATE	ALTERED CHECKED APPROVED	REV	DATE	ALTERED CHECKED APPROVED	REV	DATE	ALTERED CHECKED APPROVED	REV	DATE	ALTERED CHECKED APPROVED	REV	DATE	ALTERED CHECKED APPROVED	REV	DATE	ALTERED CHECKED APPROVED															
1			2			3			4			5			6			7			8			9			10			11			12		

ADDITIONAL INFORMATION		TYPE OF PRODUCT		VM12 (BT)							
STATUS OF DRAWING		OR		NAME OF CUSTOMER / PROJECT							
B											
DISTRIBUTION OF PRINTS		SWE		S.S.A		SIGN		DATE		NO. OF	
1		3		S.U.S.				16.5.16		VAR	
1		1		M.A.K.				16.5.16		03	
01		01.08.07		BHARAT HEAVY ELECTRICALS LTD.		BHOPAL					
02		08.10.16		SWE							
03		-VAR 02 & SHT 02 ADDED.		SWM							
04		-ITEM 008 TO 009 ADDED.		TCX							
05		-ITEM NUMBERING REARRANGED.		SIS							
06				NSM							
07				SMA							
08				SWE							
09				SMA							
10				SMA							
11				SMA							
12				SMA							

ARRGT. OF LEAD SCRU & INTERLOCKS

DRAWING NO. 15212001547

SHEET NO. 01 NO. OF SHEETS 02

