

BHARAT HEAVY ELECTRICALS LTD., BHOPAL
MATERIAL MANAGEMENT(EM)
PIPLANI – BHOPAL – 462 022 (M.P)
PHONE : + 91 755 250 5785 / 5052
e-mail:- adarshkc@bhel.in, akumar1@bhel.in

OPEN TENDER NOTICE No. : MEX/23-24/E1533108

Tenders in two part bid system are invited for supply of the following items. Complete tender document can be downloaded from BHEL website <http://www.bhel.com> & BHEL e-procurement website <https://eprocurebhel.co.in/nicgep/app>. **The tender should be submitted before 03.00 PM of 29/08/2023 through** BHEL e-procurement website <https://eprocurebhel.co.in/nicgep/app>.

Note :- All enclosures are available on BHEL website <http://www.bhel.com> as well as BHEL e-procurement website <https://eprocurebhel.co.in/nicgep/app> against the above enquiry.

Unregistered vendor can download the assessment form for registration from our website.

S. No	Enquiry no.	NIC Tender ID	Item	Qty.	Due date
1	E1533108	2023_BHEL_27472_1	Retaining Ring (Ordering)	02 Nos.	29 th August 2023
2			Retaining Ring (Ordering)	01 No.	
3			Retaining Ring (Ordering)	02 Nos.	

Note:- All subsequent corrigendum/amendment shall be published only on our website <http://www.bhel.com> & BHEL e-procurement website <https://eprocurebhel.co.in/nicgep/app> against the enquiry no. Hence, bidders are advised to be always in touch with our website till the tender is finally opened.


Adarsh Kumar Chowdhary
ADARSH KUMAR CHOWDHARY
प्रबंधक / Manager
सा. प्र. - ई. एम. / M. M. - E. M.
बी.एच.ई.एल., भोपाल / B.H.E.L., BHOPAL

ENQUIRY



ENQUIRY

TWO PART BID

BPC 0007

E-TENDER

भारत हेवी इलेक्ट्रिकल्स लिमिटेड, पिपलानी, भोपाल- ४६२०२२ (भारत)

सामग्री प्रबंधन विभाग

**BHARAT HEAVY ELECTRICALS LIMITED, PIPLANI, BHOPAL-462022 (INDIA)
MATERIALS MANAGEMENT DIVISION**

TIN NO- 23573000001

ECC NO- AAACB4146PXM009

MPCT NO- HEL/05/01/0001/515/11/79

PHONE NO : 91-755-2500100

FAX : 91-755-2500023

www.bhel.com

ENQUIRY NO E1533108
ENQUIRY DATE 05/08/23
ENQUIRY DUE DATE 29/08/23

SUPP NAME AND ADDRESS	SUPP CODE	REV CD	REV NO	REV DATE	NO OF CATY2	NO OF CATY3	ENQ NO OF ITEMS	INDENT NO
	0	1	0	NA	3	3	3	121730081
	GUARANTEE CERTIFICATE		Y	SUPPLY CONDITION		IN PROPERLY PACKED CONDITION		
	TEST CERTIFICATE		Y					
	INSTRUCTION BOOKLET		N	TECHNICAL CONDITION		AS PER DRAWING AND SPECIFICATION		
	SAMPLE		N					
	GATE PASS		Y	INSPECTION CONDITION		RECORD REVIEW BY BHEL AT BHEL WORKS AS PER QA PLAN NO. QA/MT/BOI/101, REV.01 DATE-30.03.2021.		

NOTE: QUOTE PRICE BOTH IN FIGURES & WORDS. IN CASE OF MISMATCH PRICE IN WORDS WILL BE VALID, QUOTATIONS NOT BEARING ENQUIRY NO AND DUE DATE LIABLE TO BE REJECTED.

SL NO	MATERIAL CODE	DESC	UNIT	ITEM QTY	QTY VR%	LOT NO	LOT QTY	DEST	DELIVERY DATE
1	BL9303037391	RETAINING RING (ORDERING) TO DRG. NO. 44038042090, IT.01, REV.00 AND MATL. SPECN. NO. 44028040022, REV. 00 (WEIGHT OF EACH RETAINING RING = 216 KG.)	NO	2.000	0	1	2.000	217	30/12/23
2	BL9303037383	RETAINING RING (ORDERING) TO DRG. NO. 44028042148, IT.01, REV.00 AND MATL. SPECN. NO. 44028040022, REV. 00 (WEIGHT OF EACH RETAINING RING = 182 KG.)	NO	1.000	0	1	1.000	217	30/12/23
3	BL9303037510	RETAINING RING (ORDERING) TO DRG. NO. 44038042052 # 01 REV.01 AND MATL. SPECN. NO. 44028040022, REV. 00 (WEIGHT OF EACH RETAINING RING = 255 KG.)	NO	2.000	0	1	2.000	217	30/12/23

REMARK [1] THIS IS AN OPEN TENDER E-PROCUREMENT ENQUIRY & OFFER TO BE SUBMITTED THROUGH NIC PORTAL HTTP[S://EPROCUREBHEL.CO.IN/NICGEP/APP] ONLY. [2] BHEL STD T&C BP200102A, MM5527 [AS AVAILABLE AT HTTPS://BPL.BHEL.COM] ARE APPLICABLE. [3] ALL GST PROVISIONS ARE APPLICABLE. [4] LOCAL CONTENT DECLARATION AS PER ATTACHED FORMAT TO BE SUBMITTED WITH OFFER. [5] OFFERS OF ONLY CLASS I AND CLASS II LOCAL SUPPLIERS WILL BE CONSIDERED FOR FURTHER EVALUATION, OTHER OFFERS WILL BE REJECTED. [6] PLEASE QUOTE FOR BHEL BHOPAL DOOR DELIVERY BASIS INCLUDING P&F, FREIGHT & INSURANCE CHARGES. [7] REVERSE AUCTION SHALL BE CONDUCTED AS PER LATEST RA GUIDELINES. [8] SUPPLIER TO SUBMIT DULLY FILLED, SIGNED & SEALED COPY OF PQR ALONG WITH ALL SUPPORTING DOCUMENTS. [9] EARLY DELIVERY IS ACCEPTABLE. [10] SUPPLIER MUST BE SUPPLY ITEM WITH IDENTIFICATION I.E. PO NO, DRG NO, SPEC NO, SUPPLIER IDENTIFICATION ETC.

DRAWING Y PURCH SPEC Y CATALOGUE N Quality Surveillance Pl: Y TWO PART BID Y

NOTE:BHEL,BHOPAL'S Standard Terms & Conditions BP200102 (Latest Revision) form a part of this Enquiry. Bidders may obtain from us copies of these terms and conditions if not already available.

Note: During Bid Evaluation, No loading of price with regard to preferential payment of within 45 days will be made on vendore falling under MSMED ACT - OCT 06

Please submit your lowest quotation in sealed envelop essentially superscribed with ENQUIRY NO, DUE DATE AND PARTY'S NAME so as to reach at TENDER ROOM, GROUND FLOOR, ADM BUILDING, BHEL, PIPLANI BHOPAL-462022 by 11.00 am of due date.

SPECIAL REMARK: Bid to be submitted through e-procurement. Refer eproc link on BHEL Bhopal B2B site.

- This is only a request for Quotation & not an order.
- Small Scale industries should indicate SSI Regn. No. in Quotation/invoice.
- In case you are not making an offer against this Enquiry, we request you to post a regret letter.
- Indian vendors to please indicate GSTIN on their quotation.

- Documents Enclosed
- Drawing.
 - Catalogue.
 - Purchase specification.
 - Quality Surveillance Plan.

NAME: ADARSH KUMAR CHOWDHARY
DESG: MANAGER
0755-2505785
adarshke@bhel.in

Adarsh Kumar Chowdhary
ADARSH KUMAR CHOWDHARY
प्रबंधक / Manager
सा. प्र. - ई. एम. / M. M. SEALM.
बी.एच.ई.एल., भोपाल / B.H.E.L., BHOPAL

Techno-Commercial Bid
(To be filled by supplier and submit with offer)

Tender No.		E1533108		
Item Description :		IT. 1 - RETAINING RING (ORDERING) TO DRG. NO. 44038042090, IT.01, REV.00 AND MATL. SPECN. NO. 44028040022, REV. 00 (WEIGHT OF EACH RETAINING RING = 216 KG.) IT. 2 -RETAINING RING (ORDERING) TO DRG. NO. 44028042148, IT.01, REV.00 AND MATL. SPECN. NO. 44028040022, REV. 00 (WEIGHT OF EACH RETAINING RING = 182 KG.) IT. 3 -RETAINING RING (ORDERING) TO DRG. NO. 44038042052 # 01 REV.01 AND MATL. SPECN. NO. 44028040022, REV. 00 (WEIGHT OF EACH RETAINING RING = 255 KG.)		
Remarks :		[1] THIS IS AN OPEN TENDER E-PROCUREMENT ENQUIRY & OFFER TO BE SUBMITTED THROUGH NIC PORTAL HTTP[S://EPROCUREBHEL.CO.IN/NICGEP/APP] ONLY. [2] BHEL STD T&C BP200102A, MM5527 [AS AVAILABLE AT HTTPS://BPL.BHEL.COM] ARE APPLICABLE. [3] ALL GST PROVISIONS ARE APPLICABLE. [4] LOCAL CONTENT DECLARATION AS PER ATTACHED FORMAT TO BE SUBMITTED WITH OFFER. [5] OFFERS OF ONLY CLASS I AND CLASS II LOCAL SUPPLIERS WILL BE CONSIDERED FOR FURTHER EVALUATION. OTHER OFFERS WILL BE REJECTED. [6] PLEASE QUOTE FOR BHEL BHOPAL DOOR DELIVERY BASIS INCLUDING P&F, FREIGHT & INSURANCE CHARGES. [7] REVERSE AUCTION SHALL BE CONDUCTED AS PER LATEST RA GUIDELINES. [8] SUPPLIER TO SUBMIT DULLY FILLED, SIGNED & SEALED COPY OF POR ALONG WITH ALL SUPPORTING DOCUMENTS. [9] EARLY DELIVERY IS ACCEPTABLE. [10] SUPPLIER MUST BE SUPPLY ITEM WITH IDENTIFICATION I.E. PO NO, DRG NO, SPEC NO, SUPPLIER IDENTIFICATION ETC.		
Sr. No.	ELEMENTS	Standards	To be offered / confirmed by supplier	Remarks, if any
1	Quotation Reference & date	As per supplier		
2	HSN / SAC code	As per supplier		
2.1	GST TYPE & ITS PERCENTAGE APPLICABLE Item wise mentioned in the offer (IGST/CGST+SGST/UGST)	As per supplier		
3	Quotation Currency	In INR		
4	E-Mail	As per supplier		
5	Phone/Mobile	As per supplier		
6	Contact Person	As per supplier		
7	Order to be placed on	As per supplier		
8	Address	As per supplier		
9	Minimum delivery period to be quoted in no of days from the date of receipt of Purchase Order.	Our delivery requirement within 120 days from PO date		
10	Prices shall be Firm.	Yes		
11	INSPECTION: As given in enquiry.	Yes		
12	Delivery Destination: - The material is required to be supplied to FOR BHEL Bhopal with all freight charges on paid basis.	Yes		
12.1	Price to be furnished on FOR destination BHEL Bhopal, duly insured basis inclusive of P&F charges.	Yes		
13	Quoted for all the items of tender enquiry	Yes / No. (If "No" please mention item number of regretted items)		
14	Technical Specifications	Accepted as per enquiry / Accepted with deviation (If select Accepted with deviation, please mention the deviation)		
15	Guarantee Period of Material as per clause no. 18 of enquiry GTC BP200102A.	Yes		
16	TC , GC and ALL Inspection report as per tender enquiry and specification will be submitted along with each consignment.	Yes (In case of "No" your offer may be rejected).		
17	Brand Name, If any.	As per supplier		
18	Supply from	As per supplier		
19	Quotation Validity will be 90 days from the date of Technical bid opening.	Yes		
20	Are you registered under MSE ACT 2006 as small or micro.	Yes / No (If select Yes, please enclosed latest printed UDYAM certificate)		

Name of Supplier:
Sign and Seal of Supplier

Techno-Commercial Bid (To be filled by supplier and submit with offer)				
Tender No.		E1533108		
Description :		IT. 1 - RETAINING RING (ORDERING) TO DRG. NO. 44038042090, IT.01, REV.00 AND MATL. SPECN. NO. 44028040022, REV. 00 (WEIGHT OF EACH RETAINING RING = 216 KG.) IT. 2 - RETAINING RING (ORDERING) TO DRG. NO. 44028042148, IT.01, REV.00 AND MATL. SPECN. NO. 44028040022, REV. 00 (WEIGHT OF EACH RETAINING RING = 182 KG.) IT. 3 - RETAINING RING (ORDERING) TO DRG. NO. 44038042052 # 01 REV.01 AND MATL. SPECN. NO. 44028040022, REV. 00 (WEIGHT OF EACH RETAINING RING = 255 KG.)		
Sr. No.	ELEMENTS	Standards	To be offered/confirmed by supplier	Remarks, if any
21	<p>Payment terms: 100% payment within 90 days of receipt (45 days for MSE / NSIC registered suppliers under as per relevant act in force) subject to acceptance of material at BHEL, on direct presentation of the documents. Any deviation from the above payment terms, if accepted (by BHEL), shall be loaded @ SBI base rate + 6% for the purpose of bid evaluation.</p> <p>Important note: An MSE enterprises who are traders/agent/dealer shall not be benefitted under public procurement. Therefore, no benefit including terms of payment within 45 days shall be passed on to MSE vendor who are trader, dealer and agent. If you are not an "original manufacturer" of indented product against above enquiry, please accept the payment terms as " 100% payment in 90 days after receipt & acceptance of material at BHEL". In case of non-acceptance or any deviation from the above payment terms, if accepted (by BHEL), shall be loaded @ SBI base rate + 6% for the purpose of bid evaluation.</p>	90 days / 45 Days (If supplier is MSE, please select 45 days and if supplier is non -MSE or Trader/Dealer/Agent, please select 90 days)		
22	Other Charges (If any)	Applicable / Not Applicable. (If applicable please mention percentage (%) / Value (along with type of charges).		
23	Transit Insurance will be in supplier scope	Yes		
24	Penalty:- LD penalty shall be 0.5% of the total order value per week of delay or part thereof, subject a maximum of 10% of the total order value. Total order value above shall be item wise, lot wise order value.(Please refer clause 9 of GTC - BP200102A).	Yes / No (In case of "No", your offer will be loaded suitably)		
25	Acceptance of General Terms and Conditions of enquiry (Form No. BP- 200102A) & BHEL P.O. Terms & Conditions (Indigenous) MM5527 (available at B2B site of BHEL Bhopal).	Yes (In case of "No" your offer may be rejected).		
26	Kindly confirm whether other family firms or sister concern affiliates / subsidiary firms are participating in the same tender, so as to eliminate the possibility of cartel formation. (If yes kindly attach filled, sign & sealed copy of Annexure-IX).	Kindly attach 'Annexure -IX' with seal & sign.		
27	Confirm whether bidder is Manufacturer or Trader or Dealer or Agent of items under enquiry. In case of Trader or Dealer or Agent, please furnish authorization certificate from OEM.	As per supplier		
28	I/We hereby certify that the quoted items(s) offered by us in this enquiry is /are having local content (in %) of	As per supplier		
28.1	I/We hereby certify that the local content % certified above is in line with definition of local content given in Public Procurement (Preference to Make in India), Order 2017 Dtd. 4-6-2020 and I/We qualify as (Class-I/Class-II/Non-Local supplier - Fill in one which is applicable).	As per supplier (Class I - Equal to or more than 50%, Class II - More than 20% but less than 50%, Non - Local :Less than or equal to 20%) [NOTE: Please provide Certification regarding local content on your letter head for the quoted items with seal & sign.]		
28.2	Address of location at which the local value addition is made:	As per supplier		
28.3	By filling "Yes" in adjacent Box, I hereby declare & confirm that the details furnished above are true and correct to the best of my knowledge and belief and I undertake to inform you of any changes therein immediately. In case any of the above information is found to be false or untrue or misleading or misrepresenting, I am aware that I may be held liable for it.	Yes / No		

- 1) Deviation in any commercial condition shall be suitably loaded in the offered price.
- 2) In case of any conflict, confirmation by vendor provided here will supersede.
- 3) In case bidder is not making an offer against this enquiry, we request the bidder to post the regret letter

Name of Supplier:.....

Seal & Sign of supplier

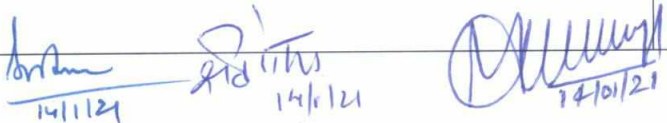
Minimum Technical Qualifications Required for supplying Retaining Ring Forging of material Copper-Nickel-Wrought Alloy (Cu Ni 14 Al 3) as per BHEL specification no. 44028040022

Ref no: AME/MTQ/RETRING/02

Date: 14-01-2021


Following are the mandatory requirements. Offers of vendors not meeting these requirements will not be considered.


S.N	Description of pre-qualification requirement	Supporting Documents required	Complied (Yes / No)																											
1.	<p>Vendor must have manufactured and supplied at least 3 retaining ring forgings of material Copper-Nickel-Wrought Alloy (Cu Ni 14 Al 3). Out of these retaining ring forgings, at least one retaining ring of dimension Outer diameter : ≥ 590 mm, Inner Diameter: ≥ 540 mm and Height: ≥ 180 mm must have been manufactured and supplied by vendor.</p>	<p>In support of above, the vendor has to furnish details of 3 retaining ring supplies in the following format:</p> <table border="1" data-bbox="616 501 1378 757"> <thead> <tr> <th rowspan="2">Retaining ring (Forging)</th> <th rowspan="2">Copper-Nickel-Wrought Alloy (Cu Ni 14 Al 3)</th> <th colspan="3">Dimension (in mm)</th> <th rowspan="2">Name of Customer/ Year of supply</th> </tr> <tr> <th>OD</th> <th>ID</th> <th>HT</th> </tr> </thead> <tbody> <tr> <td> </td> <td> </td> <td> </td> <td> </td> <td> </td> <td> </td> </tr> <tr> <td> </td> <td> </td> <td> </td> <td> </td> <td> </td> <td> </td> </tr> <tr> <td> </td> <td> </td> <td> </td> <td> </td> <td> </td> <td> </td> </tr> </tbody> </table> <p>This should be accompanied by Self-declaration (seal signed by authorized signatory on Company's letter head) giving purchase order reference, purchase order date, customer name, quantity supplied and supply date.</p> <p>Test certificate of retaining ring for all the three cases must be submitted with offer.</p>	Retaining ring (Forging)	Copper-Nickel-Wrought Alloy (Cu Ni 14 Al 3)	Dimension (in mm)			Name of Customer/ Year of supply	OD	ID	HT																			
Retaining ring (Forging)	Copper-Nickel-Wrought Alloy (Cu Ni 14 Al 3)	Dimension (in mm)			Name of Customer/ Year of supply																									
		OD	ID	HT																										
2.	<p>(a) Vendor must have in-house manufacturing facility to manufacture retaining ring forging of material Copper-Nickel-Wrought Alloy (Cu Ni 14 Al 3) as per the BHEL ordering drawing and specification no. 44028040022.</p> <p>(b) Vendor to submit detailed manufacturing plan with details of raw material, in process and final inspection.</p>	<p>(a) Details of in-house manufacturing facilities are to be submitted with offer. Supplier to give Self declaration (seal signed by authorized signatory on Company's letter head) mentioning list of relevant manufacturing facilities owned by the manufacturer.</p> <p>(b) Manufacturing process plan to be submitted by vendor.</p>																												
3.	<p>a) The Manufacturer, preferably should have in-house testing facilities to conduct tests as per BHEL specification no. 44028040022 and QA Plan QA/MT/BOI/101 Rev.00.</p> <p>b) If any facility of particular testing is not available in-house then Manufacturer to Outsource labs/firms for testing.</p> <p>c) Each ring shall be tested for Mechanical and NDT tests as per BHEL specification no. 44028040022 and QA Plan QA/MT/BOI/101 Rev.00.</p>	<p>a) Self declaration (seal signed by authorized signatory on Company's letter head) giving details of in-house testing facilities. Test certificates shall cover chemical composition, mechanical properties, dimensional report, non-destructive test report etc. Testing shall be witnessed by BHEL as per QA/MT/BOI/101 Rev.00.</p> <p>b) In case of outsourcing of testing, vendor to agree to test in government/international accreditation agency approved labs.</p> <p>c) Acceptance in this regard to be given by supplier.</p>																												



 14/1/21 14/1/21 14/01/21

	Supplier to conduct tests on each ring. Test certificate to be furnished in accordance with DIN EN 10204 type 3.1.	
4.	Vendor to confirm supply shall be as per BHEL enquiry drawing and specification. Vendor to sign each page of BHEL specification, drawing and QA plan for compliance and submit with offer.	

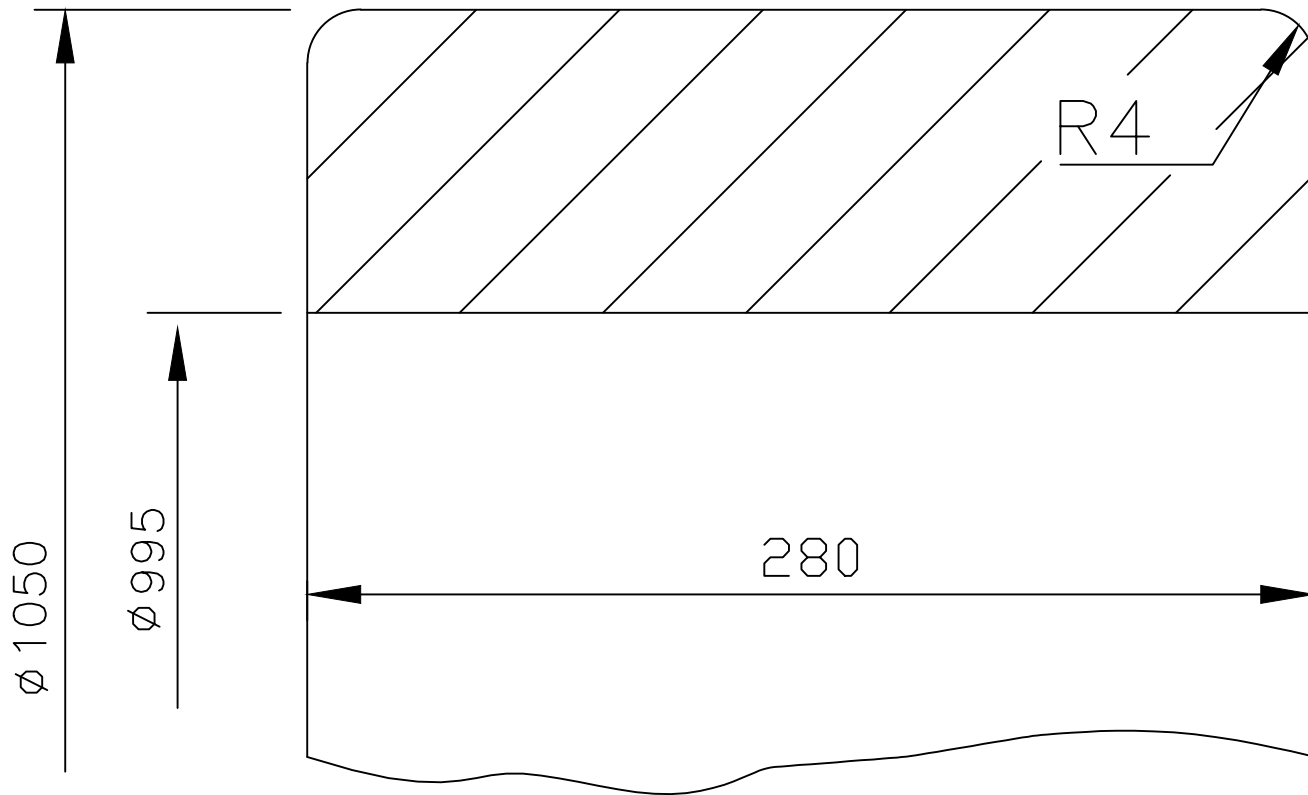

(R.P. Gera) 14/11/21
Sr. DGM/AME


(Baboo Sonwane) 14/11/21
AGM /AME


(Manish Narayan) 14/11/21
Manager /AME
मनीष नारायण / M. NARAYAN
प्रबंधक / Manager
ए.एम.ई. विभाग / A.M.E. Division
बी.एच.ई.एल., भोपाल / BHEL BHOPAL

THE INFORMATION ON THIS DOCUMENT IS THE PROPERTY OF BHARAT HEAVY ELECTRICALS LIMITED. IT MUST NOT BE USED DIRECTLY OR INDIRECTLY IN ANY WAY DETRIMENTAL TO THE INTEREST OF THE COMPANY.

REV.	DATE	ALTERED	REV.	DATE	ALTERED	ADDITIONAL INFORMATION	STD
		CHECKED			CHECKED		
						STATUS OF DRAWING	
						DISTRIBUTION OF PRINTS	AME-01, TEX(PLM)-01 HGM-01
			REV.	DATE	ALTERED		
					CHECKED		



T.R.: -

6.3/
▽ ALL OVER.

1. MATERIAL SPECN. AS PER 44028040022.

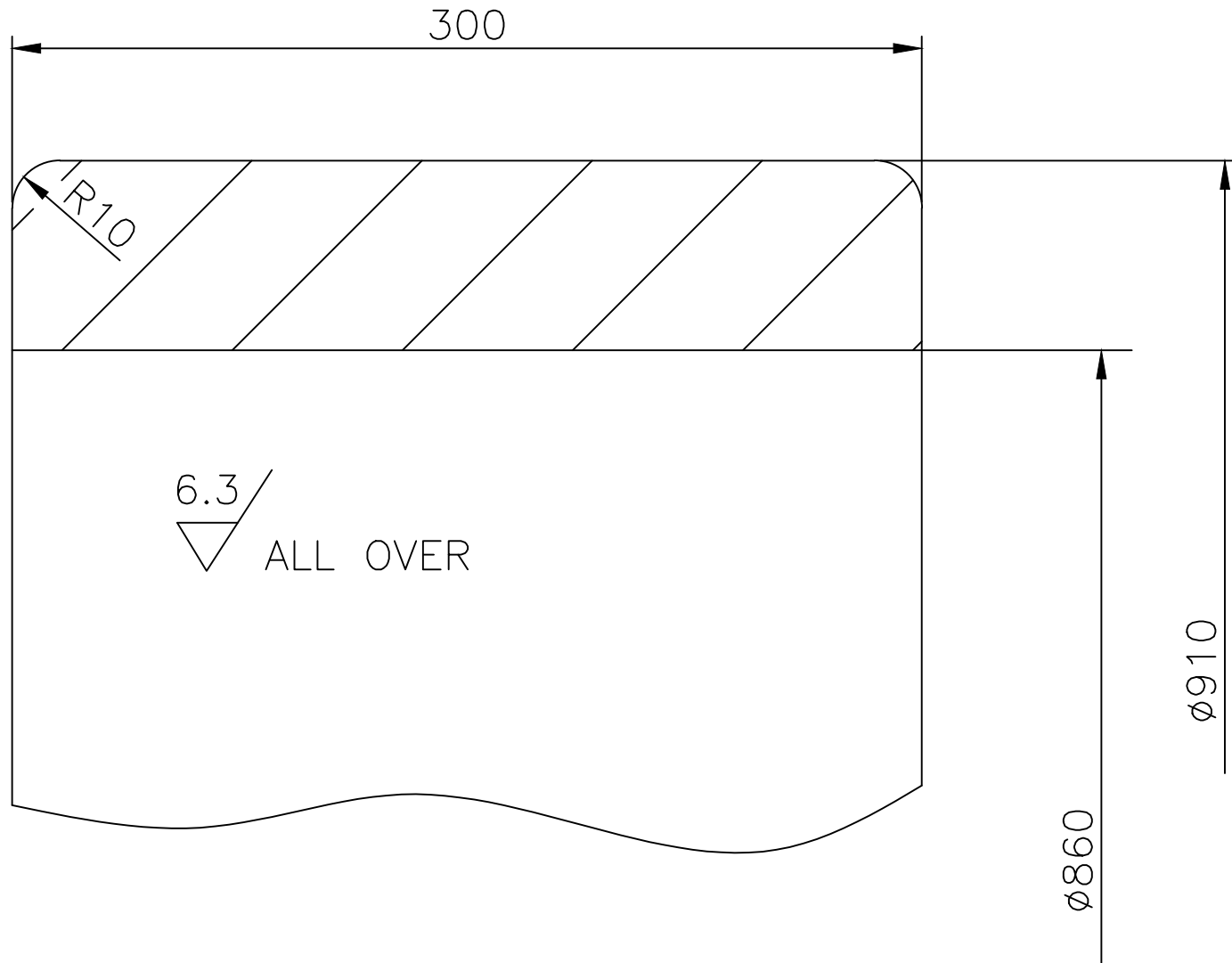
44038042043 REF. DRG. No.	STYLE NO. BL9303037391		01	RETAINING RING		SEE T.R.1		216.00									
	65	REMARKS	75	25	27	29	58	59	34	MATL. CODE	45	55	56	58	UNIT WT.	65	
				ITEM No.	DESCRIPTION			STD.	46	MATL. SPECN.	54	A	57	UNIT	66	QTY.	71
CARD TYPE 3		28		28		CARD TYPE 1		28		CARD TYPE 2							
SIGN & DATE	BHARAT HEAVY ELECTRICALS LTD. BHOPAL		DRN	NAME AJAY		SIGN <i>Ajay</i>		DATE 23.11.22									
			CHD														
			APPD	VP		<i>VP</i>		23.11.22									
INVENTORY No.	DEPT. AME	GRADE OF UN.TOL. DIM.ϕ/M/F	SCALE NTS		WEIGHT (Kg.) 216.00		REF. TO ASSY. DRG.		ITEM No.	75	77	No. OF ITEMS					
	CODE 404																
TITLE RETAINING RING (ORDERING)					1	3	7	DRAWING No. 44038042090		22	23	24	REV. 00				
					SHEET No. 01		No. OF SHEETS 01										

FIRST ANGLE PROJECTION

(ALL DIMENSIONS ARE IN mm)

THE INFORMATION ON THIS DOCUMENT IS THE PROPERTY OF BHARAT HEAVY ELECTRICALS LIMITED. IT MUST NOT BE USED DIRECTLY OR INDIRECTLY IN ANY WAY DETRIMENTAL TO THE INTEREST OF THE COMPANY.

REV	DATE	ALTERED	REV	DATE	ALTERED	ADDITION INFORMATION STANDARD
		CHECKED			CHECKED	
		APPROVED			APPROVED	
						STATUS OF DRAWING
						DISTRIBUTION OF PRINT OC-1 GTG(EM)-1 PLM-3



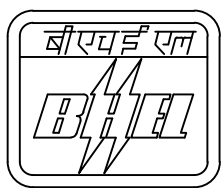
TECH. REQUIREMENTS:-

MATERIAL SPECN. AS PER DRG. 44028040022.

44028042042
REF. DRG. NO.

BL9303037383	01	RETAINING RING (ORDERING)		182.00
REMARKS	ITEM NO.	DESCRIPTION	STANDARD	UNIT WT.
			MATL. CODE	UNIT
			MATL. SPCN.	QTY.

28 → CARD TYPE-3 28 → CARD TYPE-1 28 → CARD TYPE-2



BHARAT HEAVY ELECTRICALS LTD.
BHOPAL

DRN	NAME	SIGN	DATE	73 NO. OF VAR
CKD	AJAY	<i>Ajay</i>	23.11.22	
APPD	VP	<i>VP</i>	23.11.22	

DEPT. AME	GRADE OF UNTOL. DIM. C/M/F		SCALE NTS	WEIGHT (kg) 182.00	REF. TO ASSY. DRG.	ITEM NO.	75 NO. OF ITEMS
CODE 404							

TITLE	7 DRAWING NO.	22	23 REV.	24
RETAINING RING (ORDERING)	44028042148		00	
	SHEET NO.	NO. OF SHEET		

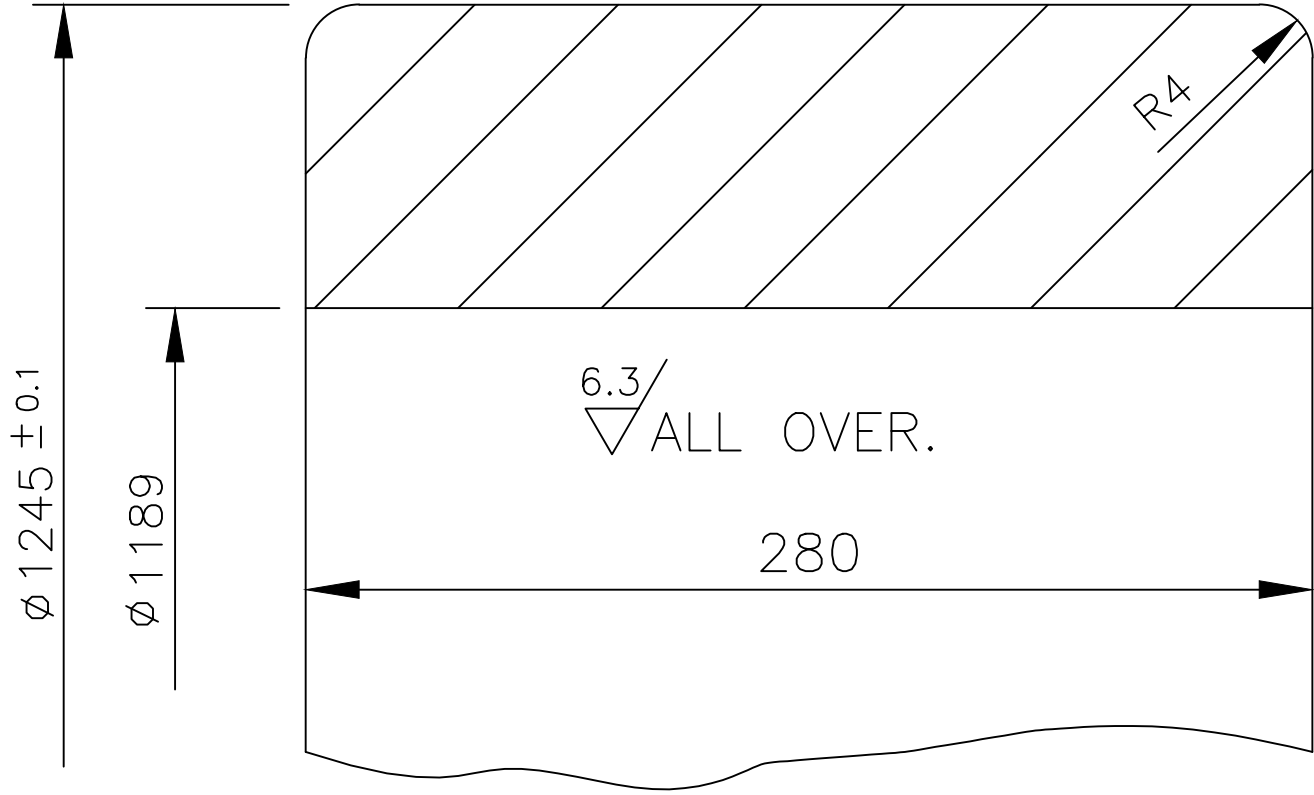
INVENTORY NO.

SIGN. & DATE

SINGH / VP / 44028042148

THE INFORMATION ON THIS DOCUMENT IS THE PROPERTY OF BHARAT HEAVY ELECTRICALS LIMITED. IT MUST NOT BE USED DIRECTLY OR INDIRECTLY IN ANY WAY DETRIMENTAL TO THE INTEREST OF THE COMPANY.

REV.	DATE	ALTERED	REV.	DATE	ALTERED	ADDITIONAL INFORMATION 43128 A 261-11
		CHECKED	01	21.06.23	CHECKED	
			TR.1 UPDATED. STYLE NO. ADDED.			STATUS OF DRAWING
						DISTRIBUTION OF PRINTS AME-01, TCX(PLM)-01 PLM-03



TR:-
 1. MATERIAL SPECIFICATION AS PER DRG. 44028040022.

STYLE NO. BL9303037510

REF. DRG. No.	01	RETAINING RING	255
65	75	25 27 29	58 59
REMARKS	ITEM No.	DESCRIPTION	STD.
			34
			45
			55
			56
			57
			58
			59
			60
			61
			62
			63
			64
			65
			66
			67
			68
			69
			70
			71
			72
			73
			74
			75
			76
			77
			78
			79
			80
			81
			82
			83
			84
			85
			86
			87
			88
			89
			90
			91
			92
			93
			94
			95
			96
			97
			98
			99
			100

CARD TYPE 3	28	28	CARD TYPE 1	28	CARD TYPE 2				
SIGN & DATE		BHARAT HEAVY ELECTRICALS LTD.		DRN	B.R.PATEL	SIGN	-sd-	DATE	15-01-04
		BHOPAL		CHD	MRS	SIGN	-sd-	DATE	15-01-04
				APPD	V.A.	SIGN	-sd-	DATE	15-01-04

DEPT.	AME	GRADE	OF UN. TOL.	SCALE	WEIGHT (Kg.)	REF. TO ASSY. DRG.	ITEM No.	75 77
CODE	404	DIM.	φ/M/F	NTS			No.	No. OF ITEMS
TITLE	RETAINING RING (ORDERING)				1	3	7	22 23 24
					CARD CODE	DRAWING No.		REV.
						4 403 80 42 052		01
					SHEET No.	01	No. OF SHEETS	01

FIRST ANGLE PROJECTION

(ALL DIMENSIONS ARE IN mm)

REV.	DATE	ALTERED	REV.	DATE	ALTERED	ADDITIONAL INFORMATION STD
		CHECKED			CHECKED	
						STATUS OF DRAWING
						DISTRIBUTION OF PRINTS AME-1 TEX-3

Copper -Nickel-Wrought Alloy for
Retaining Rings

Technical Terms of Delivery :

- Scope :** These technical terms of delivery are valid for forged retaining rings made of CuNi 14 Al 3. These rings are critical components of rotating electrical machines.
- Chemical Composition :**

Symbol	Material No.	Mass fraction in %						
		Cu	Ni	Al	Fe	Mn	Zn	
CuNi 14 Al 3	2.1504	Min.	78.0	13.0	2.0			
		Max.	84.0	16.0	3.0	1.5	1.0	0.3

3 Required Characteristics :

Tensile strength	R_m	:	$\geq 740 \text{ N/mm}^2$
0.2% - yield strength	$R_{p0.2}$:	$\geq 570 \text{ N/mm}^2$
Elongation	A_5	:	$\geq 10\%$
Breaking strength	Z	:	$\geq 25\%$
Hardness	HB	:	210 HB 10/1000
Modulus of elasticity	E_{RT}	:	143,000 N/mm ²
Relative permeability	μ_p	:	≤ 1.01 ; Non-magnetizable
Elec.Conductivity	k	:	App. 4000-6000 kS/m

4 Production, Dimensions :

Hammer-forged ring dimensions	:	Max. dimensions $D_A = 1800 \text{ mm}$
	:	Max. Wall thickness 80 mm
	:	Max. ring height app. 250 mm

A low stress condition ($\sigma < 60 \text{ N/mm}^2$) must be ensured .The design dimensions should be inferred from the respective order drawings.
Note- The minimum wall thickness for forging amounts to 30 mm. Reduction to order size by machining.

5 Machining :

If the order drawing indicates finish-dimensions, then the retaining rings must be rough-turned with an all- round machining allowance of 3 to 4 mm with respect to these finish dimensions before delivery. For a routine ND-test (Pt. 5.2.3), the surface roughness R_z must be 25 μm (max.).
If the machining to finish-dimensions or partly to finish-dimensions, e.g. only the outer contour, is ordered explicitly, then the above paragraph holds good only with respect to surface finish.

SIGN & DATE



BHARAT HEAVY ELECTRICALS LTD.
BHOPAL

DRN	NAME VINAY	SIGN <i>[Signature]</i>	DATE 19.01.18
CHD			
APPD	MHN	<i>[Signature]</i>	19.01.18

DEPT. AME	GRADE		SCALE	WEIGHT (Kg.)	REF. TO ASSY. DRG.	ITEM No.	75 77 No. OF ITEMS
CODE 404	OF UN. TOL. DIM. C/M/F						
TITLE RETAINING RING (SPECIFICATION)					1 3 7 CARD CODE	DRAWING No. 4 402 80 40022	
					SHEET No. 01	No. OF SHEETS 02	
						22 23 24 REV. 00	

THE INFORMATION ON THIS DOCUMENT IS THE PROPERTY OF BHARAT HEAVY ELECTRICALS LIMITED. IT MUST NOT BE USED DIRECTLY OR INDIRECTLY IN ANY WAY DETRIMENTAL TO THE INTEREST OF THE COMPANY.

INVENTORY No.

FIRST ANGLE PROJECTION

(ALL DIMENSIONS ARE IN mm)

REV.	DATE	ALTERED	REV.	DATE	ALTERED	ADDITIONAL INFORMATION
		CHECKED			CHECKED	
					STATUS OF DRAWING	
					DISTRIBUTION OF PRINTS	
					AME-1 TEX-3	

THE INFORMATION ON THIS DOCUMENT IS THE PROPERTY OF BHARAT HEAVY ELECTRICALS LIMITED. IT MUST NOT BE USED DIRECTLY OR INDIRECTLY IN ANY WAY DETRIMENTAL TO THE INTEREST OF THE COMPANY.

6 Quality Tests and Certificates :

The results of material tests including NDT must be furnished with a certificate 3.1B as per EN 10 204 (German version DIN 50 049) in German/English. The certificate is to be sent along with the components in a special cover addressed to the customer. Missing covers, if any, must be notified immediately.

6.1 Sampling :

For tensile test, tangential specimens are to be taken, after the last heat treatment, from the forged specimen ring (required in each forged nut-ring / each forged bushing) from wall thickness centre. The remaining specimen ring is to be supplied separately along with the retaining rings to the customer, only in case of special request. The customer can also demand the execution of notched bar impact test

6.2 Tests :

6.2.1 Proof of required chemical composition for each lot : Ladle analysis : indication of values in mass fraction in %

6.2.2 Mechanical tests : Tensile test as per DIN EN 10 002 in specimens as per DIN 50 125

6.2.3 Ultrasonic test :

Using ultrasonic test facility , the entire external surface must be tested as per the pulse-echo-method with a normal test head in radial direction and with a 45° angular head twice in peripheral direction and in case of ring width > 100 mm twice in axial direction. Test frequency 1 or 2 MHz.

Display analysis as per AVG-method.

Registration level is equivalent reflector size ERG (KSR) = 2 mm. Cracks, surface indications or indication clusters, irrespective of single display size. are not permissible. In case of considerable attenuation in the rear wall echo (from 6 dB), its cause must be ascertained. Should indications occur in the adjoining region, then an SE-test head can be used.

6.2.4 Surface crack test :

Using dye-penetrant method as per DIN 54 152 Part 1, the entire surface must be checked so that there are no cracks. Test scope - entire surface of each ring (inner and outer). Indications must be recorded and notified to the customer along with the tolerance sheet.

7 Deviations :

In case of deviations from order specification (desired specifications) or in case of notifiable indications, the manufacturer / supplier is obliged to seek written permission regarding tolerance value (Annexure) from the customer before delivery.

The elimination of even insignificant flaws must be done with explicit understanding of the customer.

8 Objections :

The goods are returned at the cost of supplier, if the technical terms of delivery are not fulfilled and the test specifications mentioned therein are not observed . Hidden flaws also justify an objection at a later point of time. In this case, the supplier has to be convinced about the justification of objection.

9 Dispatch and Marking :

The packing must be done in a manner that the rings are protected against mechanical and other damages (corrosion, humidity). Only rings pertaining to an order should be delivered on a pallet. The rings must be permanently marked with our Works-No. and stores item No. as per order. The remaining specimen ring must be marked in a similar way .

SIGN & DATE



BHARAT HEAVY ELECTRICALS LTD.
BHOPAL

DRN	NAME	SIGN	DATE
CHD	VINAY	<i>[Signature]</i>	19.01.18
APPD	MHN	<i>[Signature]</i>	19.01.18

INVENTORY No.

DEPT.	AME	GRADE		SCALE	WEIGHT (Kg.)	REF. TO ASSY. DRG.	ITEM No.	75 77		
CODE	404	OF UN. TOL. DIM. C/M/F						No. OF ITEMS		
TITLE	RETAINING RING (SPECIFICATION)				1	3	7	DRAWING No.	22	23 24
					CARD CODE			4 402 80 40022	00	REV.
							SHEET No.	02	No. OF SHEETS	02



BHARAT HEAVY ELECTRICALS LIMITED, BHOPAL
QUALITY PLAN FOR – RETAINING RING (FORGING) OF MATERIAL COPPER-NICKEL-WROUGHT ALLOY
(CUNI4AL3) AS PER MATERIAL SPECIFICATION NO. 44028040022 & ORDERING DRAWING
(IMPORTED ITEM)

QUALITY PLAN NO. QA/MT/BOI/101 REV 01

DATE: 30/03/2021

Page : 1 of 2

ABBREVIATION:

V	Visual,
M	Measurement
T	Testing
PV	Process Verification

SL. NO	COMPONENT	CHARACTERISTICS	TYPE OF CHECK	QUANT AM OF CHECK	REFERENCE DOCUMENT	ACCEPTANCE NORMS	FORMAT OF RECORD	REMARKS
1.0		Chemical Analysis	T	Sample/melt	Specification Drg. 44028040022	Specification Drg. 44028040022	TC (Inspection Certificate 3.1)	Record Review by BHEL at BHEL's works
2.0		Heat Treatment	PV	100%	Specification Drg. 44028040022	Specification Drg. 44028040022	Temp. chart	Record Review by BHEL at BHEL's works
3.0		Required Characteristics -Tensile Strength -0.2%-Yield Strength -Hardness -Breaking strength -Modulus of elasticity -Relative permeability - elongation % -Elec.conductivity	T	Sample/heat/heat treatment batch	Specification Drg. 44028040022/ DIN EN 10 002/ DIN 50 125	Specification Drg. 44028040022/D IN EN 10 002/ DIN 50 125	TC (Inspection Certificate 3.1)	Record Review by BHEL at BHEL's works
4.0		Surface Roughness	V	100%	Specification Drg. 44028040022/ Drg.	Specification Drg. 44028040022/ rg.	TC (Inspection Certificate 3.1)	Record Review by BHEL at BHEL's works
5.0		UT	T	100%	Specification Drg. 44028040022	Specification Drg. 44028040022	TC (Inspection Certificate 3.1)	Record Review by BHEL at BHEL's works



BHARAT HEAVY ELECTRICALS LIMITED, BHOPAL
QUALITY PLAN FOR – RETAINING RING (FORGING) OF MATERIAL COPPER-NICKEL-WROUGHT ALLOY
(CUNI4AL3) AS PER MATERIAL SPECIFICATION NO. 44028040022 & ORDERING DRAWING
(IMPORTED ITEM)


QUALITY PLAN NO. QA/MT/BOI/101 REV 01

DATE: 30/03/2021

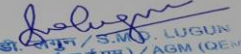
Page : 2 of 2

6.0	LP	T	100%	DIN 54 152 Part 1	DIN 54 152 Part 1	TC (Inspection Certificate 3.1)	Record Review by BHEL at BHEL's works
7.0	Dimensional inspection	M	100%	Drg./spec/PO	Drg./spec/PO	IR	Record Review by BHEL at BHEL's works
8.0	Packing & Marking Machined surface protection by Anti corrosive compound Packing in pallets Marking - Drg.no (on inner surface), supplier name, batch, weight & PO no.	V	100%	Drg./spec/PO	Drg./spec/PO	TC	Record Review by BHEL at BHEL's works

PREPARED BY:


आजीव मोहन तेलगोटे / A. M. TELGOTE
उप प्रबंधक (ग.आ.) / Dy. Manager (G.A.)
गुणता आश्वासन सेल / Quality Assurance-Notion
बी.एच.ई.एल., भोपाल / BHEL, BHOPAL

APPROVED BY


एस.एम.डी. लुगुन / S.M. LUGUN
अपर महाप्रबंधक (क्यू.ई.एम.) / AGM (Q.E.M.)
गुणता नियंत्रण-ई.एम. / Quality Control-Em
बी.एच.ई.एल., भोपाल / BHEL, BHOPAL

Letter head of Company (<Rs. 10 Cr value)

Ref.

Date

To

Bharat Heavy Electricals Limited
Piplani, Bhopal-462022

Subject: - Certification regarding local content

Reference: Tender Enquiry No-.....

Name of item(s):

Dear Sir,

We hereby certify that the quoted items offered by us against Enquiry No is having local content of%.

Further, to certify that the local content % certified above is in line with definition of Local content given in point no 2 of Public Procurement (Preference to Make in India), Order 2017 and we qualify as..... (Class-I/ CLASS-II/ Non-Local supplier - fill in one which is applicable) local supplier.

We further confirm that details of location at which the local value addition is made will be at (address of the works).

The above declaration does not include services such as transportation, insurance, installation, commissioning, training and after sales service support like AME/CMC etc. as local value addition.

We also understand, false declarations will be in breach of the Code of Integrity under Rule 175(1) (i) (h) of the General Finance Rules for which a bidder or its successors can be debarred for up to two years as per Rule 151 (iii) of the General Finance Rules along with such other actions as may be permissible under law.

I hereby declare that the details furnished above are true and correct to the best of my knowledge and belief, and I undertake to inform you of any changes therein, immediately. In case any of the above information is found to be false or untrue or misleading or misrepresenting, I am aware that I may be held liable for it.

Yours very truly,

..... (authorized signatory of company with seal)

..... (firm name)

Authorized signatory
of company

DECLARATION BY VENDOR

We declare that the following family firms or sister concern affiliates / subsidiary firms are participating in the tender No E.....:

1.0

2.0

3.0

.....

I, hereby declare on behalf of M/s and the family firms or sister concern affiliates / subsidiary firms listed above that we are not indulging in cartel formation for Enquiry No E.....

(.....)

For M/s

(Seal & Sign)





BP 200102A

GENERAL TERMS AND CONDITIONS OF ENQUIRY

Sl.No.	Description
1	General:
A	These General terms & conditions (GTC) shall apply to all enquiries, notice inviting tenders, request for quotations concerning the supply of goods and / or rendering of services to Bharat Heavy Electricals Ltd., Bhopal (hereinafter referred to as BHEL or the Purchaser) or its Projects / Customers. Special / supplementary enquiry conditions, if any, will override the conditions in this annexure.
2	General Instructions - Common for Indigenous & Foreign enquiries
A	Through E- procurement
A1	<ol style="list-style-type: none">Offer shall be submitted by the bidders in single/two parts as called in Tender enquiry. Bid Part - I Technical cum Commercial bid Bid Part - II Price bidSuppliers shall quote price on BHEL authorised third party service provider e-procurement site. Any deviation from the price format shall be clearly brought out in the offer Bid Part I. <p>The offer shall be uploaded on BHEL e-procurement site using Class III digital signature. All documents to be uploaded are necessarily to be signed and stamped. The quotation should be uploaded on the site before due date and time. Part-I of the bid shall contain complete item-wise scope of supply as offered vis-à-vis the scope of supply as per enquiry, all commercial terms and conditions etc. It is expected that bidders shall meet all our technical and commercial requirements and shall not deviate from them.</p>
B	Through tender room
B1	Sealed bids are invited for scope of Supply / Services as detailed in the enquiry. Bid should be free from correction, overwriting, using of corrective fluid etc. Any interlineation, cutting, overwriting shall be valid only if they are attested under full signature(s) of persons signing the bid else shall be liable for rejection. All overwriting/ cutting etc. will be numbered by bid opening officials and announced during bid opening. The bid should be submitted in English or Hindi language. Relevant enclosures, supporting documents, catalogue, samples, if any, as required as per Notice Inviting Tender (NIT) conditions shall be sent along with technical offer. Rate should be quoted in the units asked for in the enquiry.
B2	Bids shall be submitted in a Sealed cover with Enquiry No., Due date and Bidder's name indicated on the cover. In case of Two Part Bid, technical bid containing technical offer, this GTC duly filled-in & signed; and un-priced copy of the Price Bid should be kept in one envelope. Price Bid containing only the price (as called for in the price format where required) should be kept in a separate envelope. Both envelopes indicating Part —I or Part-II as the case may be to be put in a bigger envelope, which should be addressed to in charge, Tender Room, Bharat Heavy Electricals Ltd. 2 nd Floor, Jawahar Bhavan, Piplani, Bhopal 462022. Enquiry No., due date and bidder's name must be mentioned on all envelopes. Offer must reach tender room of BHEL Bhopal latest by 11.00 am IST on the enquiry due date. Bids submitted as single part bid against two – part bid, shall be rejected unless the offer is techno-commercially acceptable without seeking any clarification.
B3	Offer received after 11.00 AM IST of the due date will be termed as "Late" and shall not be considered. However, late offer received against single tender enquiry may be considered.
B4	Bidder can also submit offer through email, if called for in the enquiry, at the email address indicated in the enquiry. Such email offers shall be sent only on designated email-id to reach before 11.00 am IST on the tender due date. BHEL will not be responsible for incomplete offers and the ones delivered late through e-mail.
C	Through tender room or EProcurement
C1	Commercial Conditions quoted by the bidder in any place including as stated in bidder's 'General Terms and Conditions' if any, shall not be binding on the Purchaser and the conditions contained in this annexure, including special conditions, if any, for this enquiry shall only prevail.
C2	Rate should be quoted in the units asked for in the enquiry. The rates should be quoted both in figures and words. In case of discrepancy in figures and words, the rates quoted in words shall be considered.
C3	The goods offered shall conform to BHEL specifications and / or National/International standards as mentioned in the Enquiry and the bidder is required to confirm his unconditional acceptance to the same. Bidders, seeking deviations from the specifications and any other conditions, may indicate the same clearly on a separate sheet indicating Sl. No. of the item, with reasons for such deviations. BHEL reserves the right to reject the offer with deviations or load the deviations suitably for evaluation.
C4	Offers shall be submitted directly by bidder or his authorized agent only. Unsolicited offers shall be summarily rejected.



BP 200102A

GENERAL TERMS AND CONDITIONS OF ENQUIRY

C5	Bid in single part or techno-commercial bid in two-part system (as the case may be) will be opened on the due date. In case of two part bid, price bids of techno-commercially accepted bidder(s) only shall be opened on the assigned date, for which separate intimation will be sent to the accepted bidders.
C6	The bidder whose bid is technically not accepted will be informed & EMD wherever submitted shall be returned along with his price bid within 30 days of contract finalization date. No interest will be payable on EMD amount. EMD shall however be forfeited in the event of bidder opting out after submission of the bid.
C7	<ol style="list-style-type: none">1. Any discount / revised offer submitted by a bidder on its own shall be considered, provided it is received on or before the due date and time of offer submission (Part-I). Conditional discounts shall not be considered for evaluation of tenders.2. Unsolicited discounts / revised offers given after Part-I bid opening shall not be accepted. No change in price will be permitted within the validity period of offer.3. In case of changes in scope and / or technical specification and / or commercial terms & conditions, having price implication, techno-commercially acceptable bidders shall be asked by BHEL to submit the impact of such changes on their price bids. In case a bidder opts to submit revised price bid instead of impact called for, then latest price bid shall prevail. However in both situations, original price bid will be necessarily opened.
C8	The bidders will submit Integrity Pact, duly signed by its authorized signatory, where called for in the enquiry.
C9	Wherever the enquiry is issued to unregistered bidder, the bidder shall visit ' www.bhel.com ' for submitting the online Supplier Registration Application. Price bids of such bidders, will be opened only on techno-commercial acceptance of bid & after supplier registration.
C10	BHEL expects that the bidder responds to the enquiry. Regret letter, with valid reasons for not participating in the tender will be submitted where the bidder is unable to submit offer. Repeated lack of response on the part of bidder may lead to his deletion from BHEL's approved bidder list. Refer guidelines for suspension of Business Dealings with Suppliers/Contractors available on https://www.bhel.com/sites/default/files/suspension_guidelines_abridged.pdf
C11	In case of open tenders (i.e. those published in website) all corrigenda, addenda, amendments, time extensions, clarifications etc. to the tender will be hosted on BHEL website. (www.bhel.com) only. Bidders responding to these tender should regularly visit website(s) to keep themselves updated.
C12	In the course of evaluation, if more than one bidder happens to occupy L-1 status effective L-1 will be decided by soliciting discounts from the respective L-1 bidders in sealed envelope and will be open in tender room. In case more than one bidder happens to occupy the L-1 status even after soliciting discounts, the L-1 bidder shall be decided by a toss/ draw of lots, in presence of the respective L-1 bidders or their representatives. Ranking will be done accordingly. BHEL's decision in such situations shall be final and binding.
C13	The Purchaser can consider awarding tendered quantities among more than one bidder (after acceptance of L1 price by the other bidders) in the manner and proportion disclosed in the tender conditions. Purchaser can also consider awarding of part of the tendered quantity to other than L-1 bidder at L1 counter offered rates, if the quantity offered by the L-1 bidder is less than the quantity tendered for.
C14	The bidder shall submit price bid strictly in the price format, wherever provided for, in the enquiry. Any attempt on the part of the bidder to alter the contents of the price bid format in any manner, which in the opinion of BHEL can vitiate the tendering process, will lead to rejection of the bid, besides BHEL taking appropriate punitive action as deemed fit. Refer Guidelines for suspension of Business Dealings with Suppliers/Contractors available on https://www.bhel.com/sites/default/files/suspension_guidelines_abridged.pdf
D	BHEL shall be resorting to Reverse Auction (RA) (Guidelines as available on www.bhel.com). If tender specific conditions call for reverse auction, RA shall be conducted among the techno-commercially qualified bidders. Price bids of all techno-commercially qualified bidders shall be opened and same shall be considered for RA. In case any bidder(s) do(es) not participate in online Reverse Auction, their sealed envelope price bid along with applicable loading, if any, shall be considered for ranking
3	Delivery Terms
A	Indigenous Purchase
A1	Goods shall be delivered on 'FOR Destination' basis to the named destination unless otherwise called for in the enquiry.
B	Foreign Purchase — Imports
B1	<ol style="list-style-type: none">1. Goods shall be despatched by Sea, unless stated otherwise in the enquiry or purchase order.2. Terms of Delivery for Sea shipment shall be on CFR / CIF basis with 14 days' detention free period preferably at Dry Port - ICD Mandideep (INMDD6) for FCL (Full Container Load) Cargo of GP & HC Containers.3. For other cases - Other than GP & HC Containers, LCL Cargo shall be delivered at Nhava Sheva (JNPT- INNSA1) & Break-bulk Cargo at Mumbai (MPT - INBOM1).4. For Air consignments, the terms of delivery shall be FCA at BHEL nominated Airport. In case of CIP, delivery shall be at Mumbai ACC (INBOM4).5. Freight amount shall be indicated separately in the offer in case of CIP/CFR/CIF.



BP 200102A

GENERAL TERMS AND CONDITIONS OF ENQUIRY

	<p>6. The number of detention free days and destination charges payable to shipping line must be mentioned in your offer and also on the Bill of Lading.</p> <p>7. Offer received on FOB basis may be considered on an exceptional basis. BHEL will load freight, marine insurance & shipping line port handling charges etc. to work out landed cost at Sea Port.</p> <p>8. Please visit BHEL Bhopal website https://bpl.bhel.com for details of named Air ports and Sea ports. Name of the gateway port so chosen by the bidder shall be indicated by the Bidder in his offer.</p> <p>9a In case of CIP/CFR/CIF, the shipping line should be ready to move the containers to consignee's nominated CFS (Container Freight Station) yard and Indian agent of shipping line should issue Cargo Arrival Notice (CAN) 7 days in advance.</p> <p>9b In case of CFR contract, bidder to supply the material through a Certified Sea worthy vessel age not more than 15 years.</p> <p>9c The invoices being issued by shipping lines must be in the name of BHEL. Otherwise, BHEL will recover loss of Input Credit on GST from the vendor.</p> <p>9d While booking the shipment, bidder to also finalize destination charges and the same should appear over BL or agreed tariff to be provided to BHEL before arrival of shipment. If cargo is stuffed in container, then the same should be allowed to be moved to CFS of importer's choice without any additional charges.</p> <p>9e Load port charges shall be settled by the supplier and not be passed on to BHEL in any form of destination charges.</p> <p>10. For reasons of delay in receipt of documents from suppliers or due to the same being found to be incomplete, and or faulty, the suppliers shall be responsible to reimburse all penalties, detention and demurrages / wharfages, if any paid by BHEL (for stated reasons).</p>	
B2	<p>1. For delivery of FCL (Full Container Load) cargo, the Bidder shall provide minimum 14 days' detention free period from the date of delivery at Port of Discharge / Place of Delivery (in case of ICD). Wherever the detention free period offered is less than 14 days, the bids shall be loaded for the period short of 14 days' period.</p> <p>2. <u>Port Congestion charges or any additional charges claimed by the shipping line at Port of Discharge / Place of Delivery shall be to the Bidder's account.</u></p>	
4	Bidder's particulars & logistics information (Bidder to give details against each of the provisions)	
A	Name of the bidder's executive to deal with this tender / project	
B	E-mail address of the contact person	
C	Telephone no. of the contact person	
D	Name of location from where the goods shall be offered for inspection and dispatch	
5	Additional logistics information for Imports	
A	Bid currency	
B	Charges applicable at discharge port up to BHEL's CFS (Container Freight Station) to be indicated in your offer and on the B/L	
C	Name of Airport in the country of dispatch for FCA delivery terms	
D	Estimated number, type & size of containers for delivery of tendered quantity (applicable where the goods are to be sent in FCL)	
E	No. of packages with cumulative gross weight and CBM volume (applicable for LCL & Break-bulk shipment)	
F	Approx. distance in km. from Bidder's works to Port of Loading	Sea port /Air port
6	Delivery Schedule & Completion date	
A	<ul style="list-style-type: none"> • Instead of writing specific date against delivery offered, bidder shall commit delivery period in number of days / weeks/ months to suit the delivery period indicated in the enquiry. • Commencement of delivery period shall be reckoned from the date of PO / LOI or any other agreed milestone. • Bidder shall deliver the goods in the manner and schedule agreed under the Purchase order. • Goods shall be delivered within contractual period or any extension thereof, if any, granted by the Purchaser. • If delivery is linked to approval of documents, time for submission of such documents to be indicated and delivery period to be indicated from approval of documents. This delivery schedule will be considered for processing delivery extension, wherever applicable. • BHEL reserves the right to cancel the order if material is not delivered within PO scheduled delivery. 	



BP 200102A

GENERAL TERMS AND CONDITIONS OF ENQUIRY

B	In case of foreign supplies, the date of Bill of Lading (B/L) or AWB shall be taken as actual date of delivery where freight until discharge port in India is in Seller's scope like CFR/CIF/CIP delivery terms. For Ex-works/FCA/FOB or any other delivery term where freight is in buyer's scope, date of material readiness /Test certificate/ Warehouse receipt/Freight forwarder receipt may be considered as mutually agreed.
C	In case of Indigenous bidders, the date of delivery at named destination in India shall be taken as contractual delivery completion date where delivery terms are FOR destination. In case of 'Ex-works' delivery terms, the date of LR / RR shall be the contractual delivery completion date.
7	Transit Insurance
A	Except where delivery terms are agreed on CIF basis for Imports & FOR destination basis for indigenous purchases, transit insurance will be covered by BHEL under its Open Marine Transit Insurance Policy. Bidder shall inform dispatch particulars with value of consignment to the Purchaser within 07 days of dispatch for BHEL to arrange insurance coverage in its policy. Failure on the part of bidder to inform dispatch particulars will make him liable to pay for any transit damages / losses suffered by the Purchaser.
8	Force Majeure
A	Notwithstanding anything contained in the contract, neither the Bidder nor the Purchaser shall be held responsible for total or partial non-execution of any of the contractual obligations, should the obligation become unreasonably onerous or impossible due to occurrence of a 'Force Majeure' which directly affects the obligations to be performed by the Purchaser or the Bidder; Such events include war, military operations of any nature, blockages, revolutions, insurrections, riots, civil commotions, insurgency, sabotage, acts of public enemy, fires, explosion, epidemics, quarantine restrictions, floods, earthquake, or acts of God, restrictions by Govt. authorities; over which the Bidder or the Purchaser has no control. The party claiming to be affected by force majeure shall notify the other party in writing without delay, within two weeks on the intervention and on the cessation of such circumstance. Extension of time sought by the Bidder along with supporting evidence and so granted by the Purchaser for the supply/ work affected, if any, shall not be construed as waiver in respect of remaining deliveries. Rescheduling of deliveries on account of force majeure conditions, if so agreed by the Purchaser, will not entail the Bidder to claim any increase in the price on whatsoever account. Notwithstanding above provisions, Purchaser shall reserve the right to cancel the order/ Contract, wholly or partly, in order to meet the overall project schedule and make alternative arrangements. If deemed necessary, Purchaser may takeover partly processed material at a mutually agreed price.
9	Penalty for delayed performance.
A1	Subject to force majeure conditions, penalty shall be 0.5% of the total order value per week of delay or part thereof, subject a maximum of 10% of the total order value. Total order value above shall be item wise, lot wise order value. Any deviation based on specific requirement shall be specified separately in the NIT.
A2	However, in case of Capital Machine / BOP where staggered deliveries may be applicable, the penalty will be levied on total order value.
A3	In case of any amendment / revision, the penalty shall be linked to the amended / revised PO.
A4	Any loading on penalty clause shall be to the extent to which it is not agreed to by the bidder (at offered value)
B	If the material is not supplied within the agreed delivery period, BHEL reserves the right to cancel the order and purchase the material from alternate source(s) at the Risk and Cost of the Bidder. In such an event, it shall be obligatory on the part of bidder to make good any loss suffered by the purchaser.
C	In case the contractually agreed delivery date falls on a holiday in BHEL Bhopal, the next working day shall be taken as contractual delivery date for compliance and applicability of LD / penalty.
D	In case of any recovery for delayed performance, the applicable GST shall also be recoverable from bidders.
10	Indian Agents and Agency commission
A	BHEL prefers to deal directly with Foreign bidder, wherever required, for procurement of Goods. However if the Foreign Principal desires to avail services of an Indian Agent, then the Principal should ensure compliance to "regulatory guidelines" which will require submission of an agency agreement.
B	The CFR / CIF price quoted will be deemed to be inclusive of Indian Agency commission. Agency commission as disclosed by the bidder in his quoted CFR / CIF price will be paid in Indian Rupees on receipt & acceptance of Materials or it's installation at destination, as the case may be. The lower of the 'TT buying rate prevailing on the date of technical bid opening or price bid opening shall be considered for computation of Agency commission.
C	In a tender either the Indian Agent on behalf of Principal / OEM or the Principal / OEM itself can bid, but both cannot bid simultaneously for same item / product in the same Tender. In case bids are received from both the Principal / OEM and the agent, bid received from the agent will be ignored.
D	If an agent submits Bid on behalf of the Principal / OEM, the same agent shall not submit bid on behalf of another Principal / OEM in the Tender, for the same Item / Product.



BP 200102A

GENERAL TERMS AND CONDITIONS OF ENQUIRY

11	Documentation:		
A	Indigenous Purchase		
	<p>Bidder shall arrange to send to the consignee, Original Tax invoice (Buyer's copy and duplicate for Transporter), Commercial invoice in duplicate, consignee copy of LR & 2 sets each of Packing list, Test certificate, Guarantee / Warranty certificate, O & M manuals (where applicable), immediately on despatch of the goods. The distribution of such documents will be specified in the Purchase order.</p> <p>In case of labour / mixed basis jobs, material is issued free of cost. Necessary material reconciliation is to be done and Free Issue Material Statement (FIMS) is to be submitted with each bill.</p>		
B	Foreign Purchase — Imports		
	<p>Seller shall send 1 set of following documents, in English, within 7 days of B/L date / 1 day of AWB date by courier to the Purchaser</p> <ol style="list-style-type: none"> Express / Original 'Clean on board' Bill of Lading / AWB. One set of Commercial Invoice, Packing list indicating container-wise Gross weight, Net weight, CBM volume, No. of packages with Dimensions of each package. Original Certificate of Country of Origin (COO) issued by Chamber of Commerce. COO shall be as per requisite format where duty concession is available under Preferential Trade/Comprehensive Economic Partnership/Free Trade agreement. Customs tariff heading (CTH)/ Harmonized System of Nomenclature (HSN) code of material should be mentioned on invoice and COO in all such cases. One set of Original Test Certificates and O&M Manual where called for. Fumigation / Phyto-Sanitary Certificate wherever cargo is packed in wooden packing or packing of plant origin material is used. Supplier should additionally forward 2 sets of original documents mentioned at point nos. 1 to 5 above along with Original Bill of Lading (OBL) or AWB through any international courier service/registered airmail within three (3) days of obtaining the same directly to the following: <table border="1" style="width: 100%; border-collapse: collapse;"> <tr> <td style="width: 50%; padding: 5px;"> AGM (M.S) Regional Operations Division BHEL 14th Floor Centre-1 World Trade Centre, Cuffe Parade Mumbai 400 005 INDIA Email: msseabpl@bhel.in (In case of Sea freight) msair@bhel.in (In case of Air freight) </td> <td style="width: 50%; padding: 5px;"> DGM (FIN- FP) 4th Floor, Administrative Bldg. BHEL Bhopal - 462022 (India) E-mail : fin_fp.bpl@bhel.in </td> </tr> </table> <p>And confirm forwarding details to AGM (CMM- FE), BHEL Bhopal at mmfe.bpl@bhel.in</p> <ol style="list-style-type: none"> In case the Seller decides to negotiate all 3 originals of B/L / AWB along with all original documents through negotiating Bank, non-negotiable documents (NNDs) consisting of copy of B/L / AWB & documents mentioned at Sl. no. 11- B2 to B5 will be sent by e-mail to the Purchaser at his e-mail address given in the PO with one copy to be mailed at mmfe.bpl@bhel.in as well as at msseabpl@bhel.in (for Sea shipment) or msair@bhel.in (for Air shipment). Other documents, as required, will be separately indicated in the Purchase Order. Additional expenditure, if any, incurred by the Purchaser by way of detention / demurrage, resulting out of delay attributable to the Seller in providing Negotiable documents, will be recovered from the Seller. <p>In case any discrepancy is raised by the Bankers / BHEL with respect to the documents submitted, vendor to facilitate clearance of goods through Delivery Order.</p> <p>Additionally, following requirements to be taken care of by the bidder during PO execution stage:</p> <ol style="list-style-type: none"> IEC (0588138690), GSTIN (23AAACB41461ZN) and email ID (mmfe.bpl@bhel.in) of BHEL Bhopal shall be clearly mentioned on B/L or AWB. As per Uniform Customs Practice (UCP 600) for documentary credits (L/C), presentation period allowed is maximum 21 days after the date of shipment. However, for geographically closer ports where sea voyage time is less than 3-4 weeks, a shorter presentation period shall be agreed upon. In case of CAD payment terms, Supplier shall send documents to BHEL's bank within 5 days of shipment. One set of original may be sent to any one of ROD, CMM-FE and MM, copy may be marked to the others. For Air shipments through non-CONSOL (i.e., not through BHEL ROD's contract), Delivery Order (DO) should be given to BHEL without insisting for Bank Release Order (BRO). AWB to be drawn with BHEL Bhopal as consignee. It must be ensured that original shipping/commercial documents, if not provided to BHEL outside banking channel, should reach BHEL's bank at least 10 days prior to cargo arrival at port. Part shipment and trans-shipment to be avoided to the extent possible especially where it is not possible to split shipping & commercial documents. Part shipment shall be strictly avoided for Airshipments. 	AGM (M.S) Regional Operations Division BHEL 14 th Floor Centre-1 World Trade Centre, Cuffe Parade Mumbai 400 005 INDIA Email: msseabpl@bhel.in (In case of Sea freight) msair@bhel.in (In case of Air freight)	DGM (FIN- FP) 4 th Floor, Administrative Bldg. BHEL Bhopal - 462022 (India) E-mail : fin_fp.bpl@bhel.in
AGM (M.S) Regional Operations Division BHEL 14 th Floor Centre-1 World Trade Centre, Cuffe Parade Mumbai 400 005 INDIA Email: msseabpl@bhel.in (In case of Sea freight) msair@bhel.in (In case of Air freight)	DGM (FIN- FP) 4 th Floor, Administrative Bldg. BHEL Bhopal - 462022 (India) E-mail : fin_fp.bpl@bhel.in		
C	General		
	<ol style="list-style-type: none"> For Hazardous chemicals, the materials safety data sheet (MSDS) is to be submitted. 		



BP 200102A

GENERAL TERMS AND CONDITIONS OF ENQUIRY

	<p>2. All certificates as called must be sent. BHEL may test any goods supplied and their decision is final irrespective of supplier's certificates. If test certificate and guarantee certificate are not received along with the document and stipulated in these specifications, BHEL reserves the right to get the material tested and recover the expenses from the supplier without awaiting supplier's confirmation</p> <p>3. Goods shall be properly packed to avoid transit damage. Suitable markings shall be provided to identify the goods with that of the PO No. and the consignee details.</p> <p>4. Goods shall be consigned to AGM (CRX), BHEL, Piplani, Bhopal - 462022, India, unless otherwise specified in the PO.</p>
12	Pricing Terms
A	Prices once quoted shall remain firm within the validity or any extension thereof for placement of order, till complete execution of the order, without any escalation/increase for any reason, whatsoever, unless specifically provided for in the Enquiry & PO. In case of foreign bidders, the quoted price shall be taken as inclusive of Third Party Inspection and testing charges as called for in the NIT.
13	Price Validity :
A	Unless stated otherwise in the enquiry, offer shall be valid for a period of 90 days from the date of Techno- commercial (Part-I) bid opening date.
14	Taxes & Duties - Indigenous Purchase
A	Bidder to ensure timely remittance of SGST, CGST, IGST as applicable in time as per law.
B	Bidder to ensure compliance to filing of monthly GST sales return including BHELs supplies by 10 th of next calendar month in the online GST portal wherever applicable.
C	Bidders to declare filing of timely returns and GST remittance/likely remittance /ITC adjustment along with invoice.
D	Bidder to submit invoices compliant with GST invoice Rules
E	Bidders to comply with all statutory provisions as may be applicable at the time of despatch/sale. Any additional financial liability to BHEL on account of non-compliance by bidders shall be borne by them and shall be adjusted / recovered from the bidders. BHEL reserves the right to review the existing offers / contracts for any revision in terms, which may arise due to change in any statutory provisions to ensure that the benefit accrues to BHEL.
F	Bidder to ensure TAX INVOICE submission along with consignment
G	In respect of cases where the liability to discharge GST is on BHEL under reverse charge mechanism, bidders have to ensure timely submission of invoices and delivery of material / services to BHEL, so that there is no mismatch on both activities. In case there is any additional financial liability on BHEL on account of default on the part of the bidder on submission or delivery of material / services the same shall be passed on to them.
H	In respect of free issue material by BHEL, bidders have to return the processed material within the time line as per the provisions of GST. In case of any additional tax liability on BHEL on account of non-compliance by the bidder, the additional financial implications on BHEL shall be passed on to the bidder
I	Bidders to provide the applicable HSN / SAC codes as called for in the enquiry
J	As per provisions of section 171 of the CGST Act 2017, bidders to pass on the anti-profiteering benefits accruing to them under GST regime to BHEL
K	With reference to section 51 of CGST act 2017 read with notification no 50/2018 – Central tax dated 13.09.2018; BHEL will be liable to deduct TDS under GST with effect from 01.10.2018. Deduction shall be made @ 2% (1% CGST + 1% SGST) or 2% IGST (as applicable) of the payment made or the amount credited. Bidder to generate & submit invoices as per above. The amount of TDS shall be deposited to the Government account and BHEL shall issue TDS certificate to deductees, TDS deposited in the Government account will be reflected in the electronic cash ledger of the deductee who will be able to use the same for payment of tax or any other amount. Deduction of TCS along with additional TDS will be as per prevailing Government guidelines.
15.	Taxes & Duties - Foreign Purchase — Imports
A	The offered prices shall be inclusive of all the Taxes and duties as applicable in the country of bidder / country of dispatch for the quoted CFR / CIF price.
16	Payment Terms-
A	Indigenous: 100% payment in 90 days of receipt (45 days for MSE including Udyog Aadhar/ Udhyaam registered suppliers as per relevant act in force), subject to acceptance of material and relevant documents at BHEL. In case of despatch of material to site directly, site certification for receipt of materials is required unless otherwise provided for in the PO. Any deviation from the above payment terms, if accepted (by BHEL), shall be loaded @ SBI base rate + 6% for the purpose of bid evaluation.
B	Foreign: 100% against irrevocable, unconfirmed LC, payable within 90 days of the Bill of Lading (B/L) date or Payment terms of CAD payable on 90 th day of B/L / AWB. In case BHEL considers any deviation in payment terms i.e. early payment based on bidder's request, then bids shall be evaluated with loading of State bank of India Base rate plus 6%, for the credit



BP 200102A

GENERAL TERMS AND CONDITIONS OF ENQUIRY

	<p>period short of 90 days. The LC shall be established 2 months prior to shipment date, valid for period of 90 days, unless agreed otherwise.</p> <p>Documents to be submitted as per UCP600 and should reach BHEL/ BHEL's bank at least 7 days prior to vessel arrival.</p>
C	<p>Foreign bidders to submit declaration of Permanent Establishment and Business Connection (PEBC) for remittances purpose. Declaration to be submitted in formats either in Annexure A or B whichever is applicable as per their transaction entered into with BHEL.</p> <p>In the absence of certificates from the bidder, withholding tax at applicable rates along with surcharge and cess will be recovered at the time of remittance to the bidder.</p>
D	<p>Foreign bidders to submit Tax Residency Certificate (TRC) & Form 10F (for obtaining DTAA benefits) as per Annexure C in respect of services. The TRC (tax residency certificate) is to be issued by the authorities of the government of bidder's country. If the informative part of the format (other than residency) is not furnished by the authorities the same may be furnished by the bidder as a declaration.</p>
17	Inspection of Goods
A	<p>The Bidder shall give adequate notice, of 1 week or as mutually agreed period, in writing to the Purchaser (in case Customer inspection is involved) or BHEL appointed TPIA about the date and place at which the goods will be ready for inspection/ testing, as provided for in the contract.</p>
B	<p>Purchaser or his authorized representative shall be entitled to carry out inspection of material and workmanship/Surveillance Audit at Bidder's premises or at his sub-contractor's premises at all reasonable times during execution of contract; Such inspection, examination and testing, if made, shall not absolve the Bidder from his obligations under the contract.</p> <p>Wherever required, BHEL may carry out testing at BHEL's testing Lab and in case of any rejection during such testing, replacement / rectification, as required, will have to be done by Supplier.</p> <p>If BHEL carries out any rectification of such rejected material, such cost will be recovered from Supplier's Bills.</p> <p>In case of Customer inspection as Supplier's Works, inspection clearance to be obtained from Customer and submitted to BHEL.</p>
C	<p>BHEL's representative from unit or Corporate Quality (CQ) is authorised to carry out audits along with TPIA at bidder's works before clearing the items for despatch.</p>
D	<p>All costs related to inspections and re-inspections shall be borne by the Bidder. In case of inspection by BHEL and / or BHEL's customer, the cost of to & fro passage and Boarding & Lodging shall be borne by the Purchaser / Customer, unless otherwise specifically agreed. In case of foreign bidders, the cost of third party inspection, where called for, shall be deemed to be included in the quoted price. Bidder shall be responsible to provide assistance such as labour, materials, electricity, fuels, stores, apparatus, instruments at his cost, as may be required and as may be reasonably demanded to carry out such tests effectively.</p>
E	<p>REJECTION:</p> <p>If any goods are rejected, BHEL shall be at liberty to take action as per following at the risk and cost of supplier:</p> <ol style="list-style-type: none"> Allow the supplier, wherever mutually agreed, to rectify the rejected goods at BHEL's works within reasonable time as fixed by BHEL. <p style="text-align: center;">Or</p> <ol style="list-style-type: none"> Allow the supplier to make free replacement within a specified period. Rejected goods can be lifted by the supplier thereafter. <p style="text-align: center;">Or</p> <ol style="list-style-type: none"> In case payment has been done, allow supplier to refund equivalent value of rejected material by NEFT / RTGS or furnish Bank Guarantee for same amount before lifting the rejected goods. Fresh replacement shall be regulated as per terms and condition of the original Purchase Order. <p>In case payment has not been done, allow the supplier, wherever mutually agreed, to rectify the rejected goods at supplier's works within reasonable time as fixed by BHEL.</p> <p style="text-align: center;">Or</p> <ol style="list-style-type: none"> Take alternate procurement action from elsewhere and recover the difference in total cost to BHEL including services, if any, incurred by BHEL in this regard from the supplier. The supplier shall not be entitled to any gain on repurchase. <p style="text-align: center;">Or</p> <ol style="list-style-type: none"> Terminate the contract either in part or in whole at the discretion of BHEL and recover the loss, if any, from the supplier. <p style="text-align: center;">Or</p>



BP 200102A

GENERAL TERMS AND CONDITIONS OF ENQUIRY

	f) Any goods rejected by BHEL must be removed by the supplier after making payment through NEFT / RTGS within 30 days after receipt of the intimation of rejection. If bidder fails to lift or allow despatch of rejected material at his cost within 90 days from the intimation of rejection, his claim on rejected material shall cease.
18	Guarantee / Warranty and corresponding Repairs / Replacement of Goods
A	Manufacturer's works test/inspection certificates shall be furnished along with the guarantee that material conforms strictly to the specification for general & special conditions as laid down in the purchase order. Goods shall comply with the specifications for material, workmanship and performance. The warranty shall be for a period of 12 months from the date of receipt. If the delivery is found non-compliant during the warranty period, leading to rejection, the Bidder shall arrange free replacement / repair of goods, within one month from the date of intimation or any mutually agreed period. The rejected goods shall be taken away by the Bidder at his cost and replaced on Delivered Duty Paid (DDP) (FOR - BHEL Stores/ designated destination basis) within such period. In the event of the Bidder's failure to comply, Purchaser may take action as appropriate, including Repair / Replenish rejected goods & disposal of rejections, at the risk & cost of the Bidder. In case the defects attributable to Bidder are detected during processing of the goods at purchaser's / his subcontractor's works, the Bidder shall be responsible for free replacement/ repair of the goods as required by the purchaser.
19	Evaluation and Loading Criteria:
A	The evaluation currency for this tender shall be INR. Evaluation of the tender shall be on the basis of delivered cost, i.e. 'total cost to BHEL' w.r.t the technical scope and commercial conditions finalized after techno-commercial clarifications (after considering, inter alia, Customs Duty and GST / Other taxes as applicable). Exchange rate (TT selling rate of State Bank of India) applicable on the date of Part-I bid opening shall be considered for evaluation of foreign bids. If the relevant day happens to be a bank holiday in India, then the FOREX rate as on the previous bank working day shall be taken for evaluation. Foreign suppliers shall ensure that the benefits as applicable under Comprehensive Economic Partnership Agreement (CEPA) with Government of India are disclosed in the bid & relevant documents such as Certificate of Country of Origin, issued by the appropriate authority in the country of Export, is provided by the bidder along with dispatch documents. Bids shall be evaluated with such applicable benefits. In the event of Bidder failing to provide appropriate documents for Purchaser to avail disclosed concessional duty benefits in India, financial loss, so incurred, will be to the Bidder's account.
20	Variation of orders
A	No variation to the Purchase order is permitted unless authorised in writing and signed by or on behalf of purchase executive, BHEL Bhopal.
21	Sub-contract
A	BHEL's order or part there off, if further to be subcontracted in exceptional circumstances the details of subcontracting and to whom to be subcontracted shall be furnished to BHEL and written permission shall be obtained from BHEL. However, it shall not absolve the supplier of the responsibility of fulfilling BHEL order requirements.
22	Recovery / deductions of amount from supplier
A	a Any amount on account of recovery from consignor / supplier under any condition shall be liable to be adjusted against any amount payable to the consignor/supplier against bills. b For any deficiency in supplies where deduction is involved, an amount as decided by BHEL, shall be deducted from supplier's bills.
23	Safety clause for purchase orders
A	The bidders shall maintain and ensure sufficient safety measures as required for inspections and test like HV test. Pneumatic test, Hydraulic test Spring test, Bend test, Material handling and safe working environment etc. to enable Inspection Agency for performing inspection. The bidder shall ensure that all the safety precautions specified in factories Act 1948 chapter-IV Section-21 to 41 are complied with respect to equipment's to be inspected. If any test equipment is found not complying with proper safety requirement, then the inspection agency may withhold inspection, till such time the desired safety requirements are met.
24	Non-Disclosure Agreement
A	All Drawing and technical documents relating to the product or it's manufacture submitted by one party to the other, prior or subsequent to the formation of contract, shall remain property of the submitting party. Drawing, technical documents or other technical information received by one party, shall not without the consent of the other party, be used for any other purpose than that, for which they were provided. Such technical information shall not without the consent of the submitting party, otherwise be used or copied, reproduced, transmitted or communicated to a third party. Patterns supplied by BHEL will remain BHEL's property which shall be returned by the bidder on demand to BHEL. Bidder shall in no way share or use such intellectual property of BHEL to promote his own business with others. <i>BHEL reserves the right to claim damages from the bidder, or take appropriate penal action as deemed fit against the bidder, for any infringement of the provisions contained herein.</i>



BP 200102A

GENERAL TERMS AND CONDITIONS OF ENQUIRY

	<p>DRAWINGS, PATTERNS & TOOLS: All drawings, patterns & tools supplied by BHEL or made at BHEL's expense are BHEL's property. These cannot be used or referred to any other party and must only be used in the execution of BHEL's orders. These should be preserved at the supplier's cost for a period of not less than 5 years. Patterns & tools should be returned to BHEL within 90 days of issue of the same.</p>
25	Settlement of Disputes & Arbitration
A	All questions/interpretations regarding subject matter of the Contract shall be decided by the Purchaser on the request of the Bidder and the decision of the Purchaser shall be final.
B	In case of dispute, steps shall be taken by the parties to the contract to settle the same through negotiations.
C	In case, dispute is not settled in negotiations, it shall be referred to Conciliator appointed by the competent authority of the Purchaser.
D	<p>Except as provided elsewhere in this Contract, in case amicable settlement is not reached between the Parties, in respect of any dispute or difference; arising out of the formation, breach, termination, validity or execution of the Contract; or, the respective rights and liabilities of the Parties; or in relation to interpretation of any provision of the Contract; or, in any manner touching upon the Contract, then, either Party may, by a notice in writing to the other party refer such dispute or difference to the sole arbitration of an arbitrator appointed by Head of the BHEL Unit/Region/Division issuing the Contract.</p> <p>The Arbitrator shall pass a reasoned award and the award of the Arbitrator shall be final and binding upon the Parties. Subject as aforesaid, the provisions of Arbitration and Conciliation Act 1996 (India) or Statutory modifications or re-enactments thereof and the rules made thereunder and for the time being in force shall apply to the arbitration proceedings under this clause. The seat of arbitration shall be Bhopal.</p> <p>The cost of arbitration shall be borne as per award of the Arbitrator.</p> <p>Subject to the arbitration in terms of Clause above, the Courts at Bhopal shall have exclusive jurisdiction over any matter arising out of or in connection with this Contract.</p> <p>Notwithstanding the existence or any dispute or differences and /or reference for the arbitration, the Contractor shall proceed with and continue without hindrance the performance of its obligations under this Contract with due diligence and expedition in a professional manner except where the Contract has been terminated by either Party in terms of this Contract. Administrative Mechanism for Resolution of CPSEs Dispute as stated in https://dpe.gov.in/guidelines/guidelines/chapters/2673.</p> <p>In the event of any dispute or difference relating to the interpretation and application of the provisions of the commercial Contract between Central Public Sector Enterprises (CPSEs)/Port Trusts inter-se and also between CPSEs and Government Departments/Organizations (excluding disputes concerning railways, Income Tax, Customs and Excise Departments), such dispute or difference shall be taken up by either party for resolution through Administrative Mechanism for Resolution of CPSEs Disputes (AMRCD) as mentioned in Department of Public Enterprises (DPE) Office Memorandum No. 4(1)/2013-DPE(GM)/FTS-1835 dated 22-05-2018 as amended from time to time."</p>
E	The Bidder shall continue to perform the contract, pending settlement of dispute(s).
26	Applicable Laws and Jurisdiction of Courts
A	Indian laws both substantive and procedural, for the time being in force, including modifications thereto, shall govern the Contract including Arbitration proceedings. The competent Courts at Bhopal in the State of Madhya Pradesh, India shall have sole jurisdiction.
27	RIGHT OF REJECTION /NON- PLACEMENT OF PO: BHEL reserves the right to accept the offers in part or in full, or cancel the Tender enquiry without assigning any reason.
28	Performance Bank Guarantee (PBG)/ Security Deposit (SD):
A	Wherever PBG (covering equipment / system / work performance guarantee) is called for in the Notice Inviting Tender (NIT) deviation shall not be accepted.
B	Bank Guarantee wherever called for, shall be in the BHEL prescribed format. In case the order is to be placed in foreign currency, the BG must also be in Foreign currency, so specified by the Purchaser.
C	Wherever Security Deposit (covering contract performance) is called for in the NIT, deviation shall not be accepted.
D	Composite 'Contract Performance Bank Guarantee' of matching value/ validity, where both Security Deposit and Performance Bank Guarantee are required, shall not be construed as deviation.
E	Wherever the contract is for supply of Goods processed on labour basis from BHEL supplied materials, the materials shall be issued against a suitable Bank guarantee as specified in the Enquiry.
F	Bidder agrees to submit performance security required for execution of the contract within the time period mentioned. In case of delay in submission of performance security, enhanced performance security which would include interest (SBI rate + 6%) for the delayed period, shall be submitted by the bidder. Further, if performance security is not submitted such security, the amount of performance security due shall be covered as per terms defined in NIT/ contract , from the bills along with due interest.
29	Benefits earmarked for Purchase from Micro & Small Enterprises (MSEs) –



BP 200102A

GENERAL TERMS AND CONDITIONS OF ENQUIRY

	<p>All benefits as per Government of India guidelines shall be given to eligible bidders.</p> <p>MSE bidders as defined by the MSMED Act as amended from time to time can avail the intended benefits only if they submit along with the offer, attested copies of relevant document stipulated in the MSMED Act or its rules/ regulations as amended from time to time and /or by the buyer. Non submission of such documents as stipulated hereinbefore will lead to consideration of their bids at par with other bidders. No benefit shall be applicable for the concerned for the tender enquiry, if any deficiency in the above required documents is not submitted before the price bid opening. If the tender is to be submitted through e-procurement portal, then the above required documents are to be uploaded on the portal. Documents should be notarized or attested by a Gazetted officer. This provision for MSE will apply subject to the condition that the participating MSE meets the tender requirements.</p> <p>In case of any change in the MSE status of the bidder, it shall be the responsibility of the bidder to notify the change as a part of the bid document. If at a later date it comes to the knowledge of BHEL, that the change in the status has not been intimated by the bidder and the order is obtained under the premise of an MSE then BHEL may reject the bid or, as the case may be, cancel the order and take necessary steps for suspension of the business dealing against the bidder as per the extant guidelines for suspension of business dealings with suppliers/ contractors of BHEL.</p> <p>Note: MSME benefits shall not be given to traders, Dealers or authorised agents.</p>
A	<p>MSEs shall be given tender documents free of cost and shall be exempted from payment of EMD. Tender documents shall be issued free of cost & no EMD wherever called for will be insisted upon. MSE bidders shall submit along with bid relevant documents w.r.t. their respective MSE status as per extant norms. Date to be reckoned for determining the deemed validity will be the last date of Technical bid submission. Non- submission of such document will lead to consideration of their bid, at par with other bidders and MSE status of such bidders shall be shifted to Non- MSE supplier till the supplier submit these documents.</p>
B	<p>In tender, participating MSEs quoting price within price band of L1+15% shall also be allowed to supply a portion of requirement by bringing down their price to L1 price in a situation where L1 price is from someone other than a MSE and such MSE shall be allowed to supply up to at least 25% of total tendered value. In case of more than one such MSE, the supply shall be shared proportionately.</p> <p>A quantum of 6.25% (25% out of target of 25%), so earmarked, will be reserved for MSE's owned by SC / ST entrepreneurs who submit their bid with relevant documents provided that in event of failure of such MSE(s) to participate in tender process or meet tender requirements and L1 price, 6.25% sub-target for procurement earmarked for MSE(s) owned by SC or ST entrepreneurs shall be met from other MSE(s).</p> <p>A quantum of minimum of 3% reservation within the above mentioned 25% reservation, so earmarked, will be reserved for MSE's owned by women entrepreneurs who submit their bid with relevant documents provided that in event of failure of such MSE(s) to participate in tender process or meet tender requirements and L1 price, 3% sub-target for procurement earmarked for MSE(s) owned by women entrepreneurs shall be met from other MSE(s).</p> <p>In case of indivisible tender, the full quantity shall be awarded to L1.</p>
C	<p>If an enterprise falling under MSE category as defined in the MSMED Act 2006, graduates to a higher category from its original category or beyond the purview of the Act, it shall continue to avail all non-tax benefits of its original category notified by the Ministry of Micro, Small and Medium Enterprise for a period of three years from the date of such graduation to the higher category.</p>
D	<p>MSE suppliers can avail the intended benefits only if they submit along with the offer, attested copies of either EM II certificate having deemed validity (five years from the date of issue of acknowledgement in EM II) or valid NSIC certificate or EM II certificate along with attested copy of a CA certificate (As per BHEL Format, where deemed validity of EM II certificate of five years has expired) applicable for the relevant financial year (latest audited). Date to be reckoned for determining the deemed validity will be the date of bid opening (Part 1 in case of two part bid). Non submission of such documents will lead to consideration of their bid at par with other bidders. No benefits shall be applicable for this enquiry if any deficiency in the above required documents are not submitted before price bid opening. If the tender is to be submitted through e-procurement portal, then the above required documents are to be uploaded on the portal. Documents should be notarized or attested by a Gazetted officer</p> <p>MSE bidders as defined by the MSMED Act as amended from time to time can avail the intended benefits only if they submit along with the offer, attested copies of either EM II certificate/ Udyog Aadhar Memorandum certificate having deemed validity (five years from the date of issue in acknowledgement in EM II/ Udyog Aadhar) or valid NSIC certificate or EM II/ Udyog Aadhar certificate along with attested copy of a CA certificate (Format enclosed as per Annexure I where deemed validity of EM II certificate/ Udyog Aadhar certificate of five years have expired) applicable for the relevant financial year (latest audited) or such other document as may be stipulated in the MSMED Act or its rules/ regulations as amended from time to time and /or by the buyer. The deemed validity will be assessed on the date of bid opening (Part 1 in case of two part bid). Non submission of such documents as stipulated hereinbefore will lead to consideration of their bids at par with other bidders. No benefit shall be applicable for the concerned for the tender enquiry, if any deficiency in the above required documents is not submitted before the price bid opening. If the tender is to be submitted through e-procurement portal, then the above required documents are to be uploaded on the portal. Documents should be</p>



BP 200102A

GENERAL TERMS AND CONDITIONS OF ENQUIRY

	<p>notarized or attested by a Gazetted officer. This provision for MSE will apply subject to the condition that the participating MSE meets the tender requirements.</p> <p>In case of any change in the MSE status of the bidder, it shall be the responsibility of the bidder to notify the change as a part of the bid document. If at a later date it comes to the knowledge of BHEL, that the change in the status has not been intimated by the bidder and the order is obtained under the premise of an MSE then BHEL may reject the bid or, as the case may be, cancel the order and take necessary steps for suspension of the business dealing against the bidder as per the extant guidelines for suspension of business dealings with suppliers/ contractors of BHEL.</p> <p>In case if all the items being procured under the enquiry fall under category of reserved items as defined in "Public Procurement Policy for Micro and Small Enterprises (MSEs) Order, 2012" and if any of the MSE bidder(s) is techno-commercially qualified then the price bids of only MSE bidders shall be opened. If no MSE bidder is techno-commercially qualified, then price bids of all techno-commercially qualified bidders shall be opened.</p>																								
30	<p>Integrity Pact (IP) — Independent external monitors (IEM) For tenders in which integrity pact is applicable, following points stand valid :</p>																								
A	<p>IP is a tool to ensure that activities and transactions between the company and its bidders/contractors are handled in a fair, transparent and corruption free manner. A panel of Independent External Monitors (IEMs) have been appointed to oversee implementation of IP in BHEL.</p> <p>The IP as enclosed with the tender is to be submitted (duly signed by authorized signatory who signs in the offer) along with techno commercial bid. Only those bidders who have entered into such an IP with BHEL would be competent to participate in the bidding. In other words, entering into this pact would be a preliminary qualification.</p> <p>Name: ----- Address: ----- E-mail : -----</p> <p style="text-align: right;">} As indicated in NIT / enquiry</p>																								
B	<p>Please refer section 8 of the IP for roles and responsibilities of IEMs. In case of any complaint arising out of tendering process, the matter may be referred to the IEM mentioned in the tender.</p> <p>NOTE: No routine correspondence shall be addressed to the IEM (phone / post/e-mail) regarding the clarifications, time extensions or any other administrative queries, etc. on the tender issued. All such clarifications/ issues shall be addressed directly to the tender issuing (procurement) department.</p> <p>For all clarifications/ issues related to the tender, please contact:</p> <table border="1" style="width: 100%; border-collapse: collapse;"> <thead> <tr> <th style="width: 60%;"></th> <th style="width: 20%;">(1)</th> <th style="width: 20%;">(2)</th> </tr> </thead> <tbody> <tr> <td>Name</td> <td></td> <td></td> </tr> <tr> <td>Landline No.</td> <td></td> <td></td> </tr> <tr> <td>Mobile No.</td> <td></td> <td></td> </tr> <tr> <td>Email</td> <td></td> <td></td> </tr> <tr> <td>Dept.</td> <td></td> <td></td> </tr> <tr> <td>Address</td> <td></td> <td></td> </tr> <tr> <td>Fax</td> <td></td> <td></td> </tr> </tbody> </table>		(1)	(2)	Name			Landline No.			Mobile No.			Email			Dept.			Address			Fax		
	(1)	(2)																							
Name																									
Landline No.																									
Mobile No.																									
Email																									
Dept.																									
Address																									
Fax																									
31	<p>Fraud Prevention Policy : The Bidder along with its associate/ collaborators/ sub-contractors/ sub-bidders/ consultants/ service providers shall strictly adhere to BHEL Fraud Prevention Policy displayed on BHEL website www.bhel.com and shall immediately bring to the notice of BHEL Management about any fraud or suspected fraud as soon as it comes to their notice.</p>																								
32	<p>Integrity Commitment: The offers of the bidders who are under suspension as also the offers of the bidders, who engage the services of the banned firms, shall be rejected. The list of banned firms is available on BHEL website www.bhel.com.</p> <p>Integrity commitment, performance of the contract and punitive action thereof :</p>																								
A	<p>Commitment by BHEL: BHEL commits to take all measures necessary to prevent corruption in connection with the tender process and execution of the contract. BHEL will during the tender process treat all bidder(s) in a transparent and fair manner, and with equity.</p>																								
B	<p>Commitment by bidder / Supplier / Contractor :</p>																								
B1	<ul style="list-style-type: none"> - The bidder / supplier / contractor commit to take all measures to prevent corruption and will not directly or indirectly influence any decision or benefit which he is not legally entitled to nor will act or omit in any manner which tantamount to an offence punishable under any provision of the Indian Penal code, 1860 or any other law in force in India. - The bidder / supplier / contractor will, when presenting his bid, disclose any and all payments he has made, and is committed to or intends to make to agents, brokers or any other intermediaries in connection with the award of the contract and shall adhere to relevant guidelines issued from time to time by govt. of India / BHEL - The bidder / supplier / contractor will perform / execute the contract as per the contract terms & conditions and will not default without any reasonable cause, which causes loss of business / money / reputation to BHEL. 																								



BP 200102A

GENERAL TERMS AND CONDITIONS OF ENQUIRY

B2	If any bidder / supplier / contractor during pre-tendering / tendering / post tendering / award / execution / post-execution stage indulges in mal-practices, cheating, bribery, fraud or / and other misconduct or formation of cartel so as to influence the bidding process or influence the price or acts or omits in any manner which tantamount to an offence punishable under any provision of the Indian Penal Code, 1860 or any other law in force in India, then action may be taken against such bidder / supplier / contractor as per the extant guidelines of the company available on www.bhel.com and / or under applicable legal provisions.
B3	<p>Preventive checks to eliminate suspected cartel formation between suppliers The Bidder declares that they will not enter into any illegal or undisclosed agreement or understanding, whether formal or informal with other Bidder(s). This applies in particular to prices, specifications, certifications, subsidiary contracts, submission or non-submission of bids or any other actions to restrict competitiveness or to introduce cartelization in the bidding process. In case, the Bidder is found having indulged in above activities, suitable action shall be taken by BHEL as per extant policies/ guidelines</p> <p>Declaration by Bidders We declare that the following family firms or sister concern affiliates/ subsidiary firms are participating in the tender No _____</p> <p>1.0 _____ 2.0 _____ 3.0 _____</p> <p>I _____ hereby declare on behalf of M/s _____ and family firms or sister concern affiliates/ subsidiary firms listed above that we are not indulging in cartel formation for Enquiry No _____.</p> <p style="text-align: right;">(_____) For M/s _____ Seal and Sign</p>
33	<p>Public Procurement (Preference to Make in India), Order 2017 For this procurement, Public Procurement (Preference to Make in India), Order 2017 Dtd 15.06.2017 and 28.05.2018 and subsequent orders issued by both DPIIT and the respective nodal ministries shall be applicable For this procurement, the local content to categorise a supplier as a Class I local supplier/ Class II local supplier / Non-Local supplier is as defined in Public Procurement (Preference to Make in India), Order 2017 dated 04.06.2020 issued by DPIIT. In case of subsequent orders issued by the nodal ministry changing the definition of local content for the items of the NIT, the same shall be applicable even if issued after issue of this NIT, but before opening of Part-II bids against this NIT.</p> <p>Bidder to mention the percentage of local content and place of value addition to manufacture these items in the tender.</p>
34	RESTRICTION UNDER RULE 144 (xi) OF THE GENERAL FINANCIAL RULES 2017: As per latest government guidelines
I	Any bidder from a country which shares a land border with India will be eligible to bid in this tender only if the bidder is registered with the competent authority.
II	“Bidder” (including the term ‘tenderer’, ‘consultant’ or service provider’ in certain contexts means any person or firm or company , including any member of a consortium or joint venture (that is an association of several persons , or firms or companies) every artificial juridical person not falling in any of the description of bidders stated hereinbefore, including any agency, branch or office controlled by such person, participating in procurement process.
III	<p>Bidder from a country which shares a land border with India” for the purpose of this order means: -</p> <ol style="list-style-type: none"> An entity incorporated, established or registered in such a country; or A subsidiary of an entity incorporated, established or registered in such a country; or An entity substantially controlled through entities incorporated, established or registered in such a county; or An entity whose beneficial owner is situated in such a country; or An Indian (or other) agent of such an entity; or A natural person who is a citizen of such a country; or A consortium or joint venture where any member of the consortium or joint venture falls under any of the above.



BP 200102A

GENERAL TERMS AND CONDITIONS OF ENQUIRY

IV	<p>The beneficial owner for the purpose of (iii) above will be as under:</p> <ol style="list-style-type: none">1. In case of company or Limited Liability Partnership, the beneficial owner is the natural person(s), who, whether acting alone or together, or through one or more juridical person, has a controlling ownership interest or who exercises control through other means. <p>Explanation –</p> <ol style="list-style-type: none">a. “Controlling ownership interest” means ownership of or entitlement to more than twenty-five per cent of shares or capital or profits of the company.b. “Control” shall include the right to appoint majority of the directors or to control the management or policy decisions including by virtue of their shareholding or management rights or shareholder’s agreements or voting agreements. <ol style="list-style-type: none">2. In case of a partnership firm, the beneficial owner is the natural person(s) who, whether acting alone or together, or through one or more juridical person, has ownership of entitlement to more than fifteen percent of capital or profits of the partnership;3. In case of an unincorporated association or body of individuals, the beneficial owner is the natural person(s), who, whether acting alone or together, or through one or more juridical person, has ownership of or entitlement to more than fifteen percent of the property or capital or profits of such association or body of individuals;4. Where no natural person is identified under (1) or (2) or (3) above, the beneficial owner is the relevant natural person who holds the position of senior managing official;5. In case of a trust, the identification of beneficial owner(s) shall include identification of the author of the trust, the trustee, the beneficiaries with fifteen percent or more interest in the trust and any other natural person exercising ultimate effective control over the trust through a chain of control or ownership.
V	An Agent is a person employed to do any act for another, or to represent another in dealings with third person.
VI	<p>Model certificate for Tenders</p> <p><i>“I have read the clause regarding restrictions on procurement from a bidder of a country which shares a land border with India; I certify that this bidder is not from such a country or, if from such a country, has been registered with the competent authority. I hereby certify that this bidder fulfills all requirements in this regards and is eligible to be considered. [Where applicable , evidence of valid registration by the Competent Authority shall be attached].”</i></p>

Note:

- 1.0 Tender Specific conditions shall override relevant provisions of this GTC
- 2.0 In the event of any change as notified by Govt. of India same will supersede.



FORM NO. MM 6527
Rev - 03

B.H.E.L., P.O. TERMS & CONDITIONS (INDIGENOUS)

The purchase order is subject to the following terms & conditions unless otherwise specified and directed :-

1. ORDER ACKNOWLEDGEMENT :

Order acknowledgement in the enclosed format must reach the concerned officer of Materials Management Divisions within 4 weeks of issue of purchase order. Failure to do so within stipulated period will be deemed to mean that the order has been accepted by the supplier.

2. PACKING :

a) The supplier shall securely protect and pack the goods against loss, damage or corrosion in transit. Packing shall allow for easy removal and checking on site and comply with carrier conditions of packing or established trade practice.

b) Cases and packing materials shall be supplied free of charge unless otherwise agreed to. Wherever specifically agreed to, empties shall be returned at suppliers expense but no liability will be accepted by BHEL in respect thereof.

c) Damage to the consignment resulting out of poor/inferior packing shall be to the account of the supplier.

3. MARKING :

The following details to be clearly marked on each case/box/packing/bundle and reel.

i) Consignee ii) BHEL Order No. iii) Gross weight iv) Net weight v) Dimensions in CMS vi) Brief description of item vii) BHEL Destination Code (refer purchase order) viii) Consignor.

b) All markings for safety, proper handling, storage, protection etc. are to be clearly marked on the case as per Indian Standard.

4. CONSIGNEE :

Unless otherwise mentioned, all goods shall be consigned as noted below :

a) Rail : Sr. Manager, Central Receiving Section, HESG Central Railway via Bhopal.

Note : Goods must not be consigned to Bhopal Station, HESG via Bhopal as in assigned siding in IRCA Chapter VIII page 373. All goods in small or wagon loads should be booked to this siding.

b) Road : Sr. Manager, Central Receiving Section Block VII, BHEL, Bhopal - 462 022. BHEL Despatches must be arranged through BHEL's approved transporters on door delivery basis.

c) Post/Air parcel : Sr. Manager Central Receiving section Block VII, BHEL, Bhopal - 462 022.

d) Supplier not complying with instructions at (a), (b) & (c) above shall do so at their risk and cost.

5. PRICE :

Unless specifically agreed to other wise, all prices shall be treated as FIRM.

6. TERMS OF PAYMENT :

The standard payment terms shall be as specified below and specified in the Purchase Order. It is however made clear that BHEL shall not accept any interest liability.

A. Local ancillary and SSI Units and other local parties.

100% payment on receipt and acceptance of Materials within 90 days of the date of receipt in BHEL.

B. Outstation SSI and other Suppliers.

BHEL prefers 'door delivery' of material in which case payment shall be within 90 days from the date of despatch. In case documents through Bank 100% payments within 90 days from the date of despatch of Material. Delivery at our works.

In case of Payments through other negotiable instrument like Bill of Exchange/Hundies etc. then the Material be delivered on 'door delivery' basis. 100% payment within 90 days from date of acceptance of negotiable Bill, or Exchange/Hundies. Hundies will be accepted by BHEL within 7 days of presentation or otherwise in accordance with contract.

नोट - भुगतान के रूप में प्रेषित चेक द्वारा भेजा जाएगा। चेक विनाम द्वारा बैंक विलयन से पहुंचने के बाद ही भुगतान किया जाएगा। यह अन्य कारणों से अनधिकृत हानि से बचाव पर ध्यान देना चाहिए।
NOTE :- The cheque will be sent by Registered post and the Company will in no way be responsible, if loss occurs due to delay by postal authorities or cheque falling into improper hands through forgery of fraud.

7. DOCUMENTATION :

The supplier shall forward four sets of the document as detailed below :-

a) 1 set to the concerned Purchase officer, Materials management Deptt. 2nd floor Administrative Building, BHEL Bhopal-462 022, Comprising of

i) Invoice	1 copy
ii) Challan/Despatch Advice note	2 copies
iii) Guarantee Certificate	3 copies
iv) Test Certificate	4 copies
v) Proforma for insurance	2 copies
vi) Photo copy of ED Paying Document	1 copy
vii) Photo copy of LR/RR	1 copy

b) 1 set to Dy. General Manager, Central Receiving Section, Block-VII, BHEL, Bhopal-462 022 comprising of :-

i) Original LR/RR (if not negotiated through Bank)	
ii) Invoice	1 copy
iii) Challan/Despatch advice note	1 copy
iv) Excise Duty Paying document (Excise challan)	

c) 1 set to Dy. Manager Purchase Bills Section, 4th floor Administrative Building BHEL, Bhopal-462022 comprising of :-

i) Signed invoice	2 copies
ii) Excise Duty Paying Document (duplicate/photo copy)	1 copy

d) 1 set to the bank in case of documents negotiated through Bank separately to each Purchase order comprising of :-

i) Original R/R/LR	
ii) Signed Invoice	2 copies
iii) Original Excise duty Paying Document (only in case of rail despatches)	
iv) Test Certificate	1 copy
v) Guarantee certificate	1 copy

Note :

'C' form shall be issued directly to the supplier. No 'C' form shall be exchanged against documents through Bank. This will be issued once in a year against a P.O. In case of materials going to site directly, 'C' form will be issued after suppliers confirmation that he will issue corresponding E1 form.

8. Excise only : The original Excise duty paying document or equivalent document indicating tariff Item No. and drawn in favour of BHEL, Bhopal for each consignment shall accompany the transporters in case of road despatches and with R/R in case of rail despatches. In case of any other mode of despatch (such as Regd. Post Parcel /Air Parcel etc.) the same shall be forwarded to Sr. Manager, Central Receiving Section, Block VII, BHEL, Bhopal-462 022 directly by registered post/hand delivery. The Excise duty paying document must not be enclosed inside the packing case No Excise Duty shall be paid in the absence of the above document.

9. SALES TAX :

BHEL Bhopal is registered as a manufacturer under Sales Tax registration No. BPL/HEL/11, MPST No. BPL/HLS, Sales Tax declaration form will be issued as per rules. Supplier is to furnish E-1 form within 15 days after receipt of 'C' form in favour of Sr. Mgr. (Sales Tax) Materials Management Deptt. for the despatches direct to customers i.e. Destination other than BHEL Bhopal Otherwise full CST & Penalty will be paid by Supplier.

10. INSURANCE :

supply. Wherever possible despatch particulars like MR with date, PO No. and value should be furnished. TLX. TLG to Sr. Mgr. concerned group and to our underwriters (Gram : National Insurance TLX : cable/NIC Div.

11. QUALITY :

All the goods supplied and services rendered must be the best of their kind and conform to the spe mentioned in the order and/ or to be strictly in accordance with approved samples or drawings.

12. INSPECTION :

All the goods and works are subject to BHEL's inspection or where stipulated by BHEL's client or his nominees at supplier works. Despatch can be arranged against despatch clearance note issued inspection and/or customer's representative, However final acceptance is subject to inspection and ac at the destination.

13. TEST CERTIFICATE :

All certificates called for in the specification or order must be sent by Registered Post with the Adh BHEL may test any goods supplied and their decision is final irrespective of supplier's certificates.

If test certificate and guarantee certificate are not received alongwith the document and stipulated specifications, BHEL reserves the right to get the material tested and recover the expenses from th without awaiting suppliers confirmation.

14. GUARANTEE :

All goods shall be free from any defect due to faulty design/material and / or workmanship/erectic called for) and will be guaranteed for a period of twelve months from the date of commissioning of the 24 months from the date of despatch whichever is earlier. However, for any "Type defects" Suppli responsible even after 24 months, if failure of the item on a/c of this.

Where the contract stipulates submission of Bank guarantee the Suppliers shall get validity period of extended from the Bank as and when required, failing which it will be treated as Breach of the ten contract and the contract is liable to be cancelled and the loss suffered by BHEL shall be recoverable supplier.

15. REJECTION :

If any goods are rejected, BHEL shall be at liberty to take action as per following at the risk and cost a) Allow the supplier, where ever mutually agreed, to rectify the rejected goods at BHEL's work within n time as fixed by BHEL.

or
b) Allow the supplier to make free replacement within a specified period. Rejected goods can be lift supplier thereafter.

or
c) Allow supplier to refund the full amount paid to him by BHEL by a demand draft before lifting the reject Fresh replacement shall be regulated as per terms and condition of the original Purchase Order.

or
d) Take alternate procurement action from elsewhere and recover the difference in cost. If any, incurred in this regard from the supplier. The supplier shall not be entitled to any gain on repurchase.

or
e) Terminate the contract either in part or in whole at the discretion of BHEL and recover the loss if any supplier.

or
f) Any goods rejected by BHEL must be removed by the supplier after making payment through Dem within 45 days from the date of intimation of rejection or 30 days after receipt to of the intimation of which ever is earlier. If the goods are not removed within the period stipulated above, the goods shall be sold by BHEL and the proceeds there of shall be adjusted towards storage charge and or the

16. DRAWINGS, PATTERNS & TOOLS :

All drawings as also all patterns and tool supplied by BHEL or made at BHEL's expense are BHEL's These cannot be used or referred to any other party and must only be used in the execution of BHEL These should be preserved at the supplier's cost for a period of not less than 5 year.

17. INDEMNITY :

Supplier shall indemnify BHEL against the following:

a) Any claim or infringement of letters, patent or registered design by the use or sale of any article or supplied to BHEL and against all costs and damages which may incur in any action for such infringing which BHEL become liable in any such action.

b) All claims for injury or damages caused by the suppliers negligence or the negligence of supplier's or arising from any defect in the goods supplied or on the work carried out the supplier.

c) All claims for injury to the supplier's employees or agents employees whilst on BHEL premises.

18. SUB-CONTRACT :

BHEL's order or part there off, if further to be subcontracted in exceptional circumstances the subcontracting and to whom to be subcontracted shall be furnished to BHEL and written permission obtained from BHEL. However it shall not absolve the supplier of the responsibility of fulfilling Bt requirements.

19. VARIATION OF ORDERS :

No variation to this order is permitted unless authorised in writing and signed by or on behalf of executive. BHEL Bhopal.

20. LIQUIDATION DAMAGE/PENALTY :

a) Failure to effect supply by the time specified in the order or period of extension granted in writing by make the supplier liable to pay liquidated damage/an unconditional penalty, as the case may be, of Percent) of the price of the goods in arrears per week at the discretion of BHEL, subject to a maximum of the order value.

b) If the material is not supplied within stipulated time BHEL shall be within their right to cancel the co purchase, the material through any other source at the risk and cost of the supplier, in such an event obligatory on the defaulting supplier to make good any loss suffered by BHEL.

21. ADJUSTMENT OF RECOVERY OF AMOUNT PAYABLE BY THE SUPPLIER :

Any amount payable by the consignor/supplier under any of the condition of this contract shall be li adjusted against any amount payable to the consignor/supplier under any other works/contract a him. This is without prejudice to any other action as may be deemed fit by BHEL.

22. JURISDICTION :

All suits or any matters arising out of this purchase order shall be lie in BHOPAL COURTS ONLY.

23. ARBITRATION :

In all cases of disputes emanating from and in reference to this Purchase Order the matter shall be the arbitration of the sole arbitration of the Executive Director/ GM of BHEL, Bhopal or any oth (including an employee of BHEL, even though he had to deal with the matter relating to this P.O. in an nominated by the said Executive Director/ GM to act as sole arbitrator. The arbitration shall be u ARBITRATION AND CONCILIATION ACT OF 1996 and the rules there under. The arbitrator may fro time with the consent of the parties enlarge the time for making and publishing the award.

24. HAZARDOUS/TOXIC CHEMICALS :

Supplier to supply the "Material Safety Data Sheet (MSDS)" in the standard prescribed proforma i environment act Schedule-9 Rule 17, Manufacture, Storage And IMPORT of chemicals Rule-1989.

25. SAFETY CLAUSE FOR PURCHASE ORDERS :

The vendors shall maintain and ensure sufficient safety measures as required for inspections and to test, Pneumatic test, Hydraulic test, Spring test, Bend test, Material handling and safe working en etc. to enable Inspection Agency for performing inspection.

The vendor shall ensure that all the safety precautions specified in factories Act 1948 Chapter-IV : to 41 are complied with respect to equipments to be inspected.

If any test equipment is found not complying with proper safety requirements, then the inspection ag