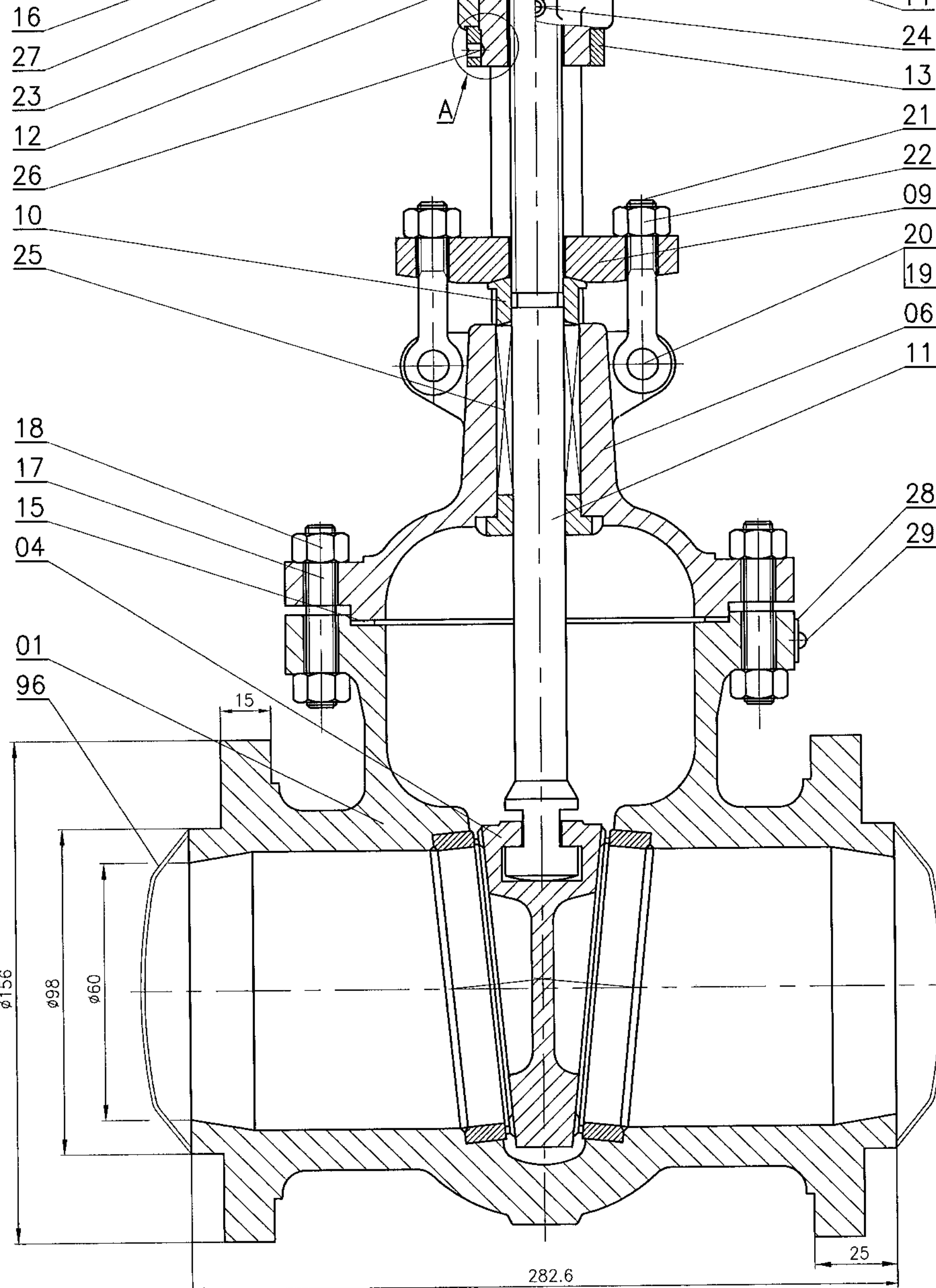


2-V-0000-06020/04
DRAWING NO.

0.875"-5ACME LEFT

∅250

96



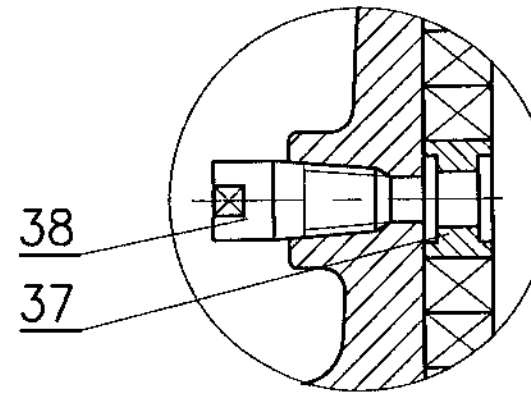
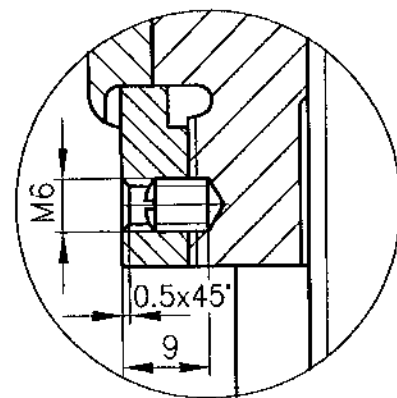
~540

ALL DIMENSIONS ARE IN MILLIMETRES. FOR TOLERANCES OF UNTOLERANCED DIMENSIONS DURING MANUFACTURE REFER RELEVANT QCP / QP

DETAIL-A

DRILL & TAP DURING ASSY.

(APPLICABLE FOR TYPE Nos: N326,N379,N380,N381 & N696)



SEALED GLAND ARRANGEMENT

NOTES:

1. THE BUTT WELD END EDGE PREPARATION AS PER PLANT STD. AND MAY VARY TO SUIT CUSTOMER'S REQUIREMENT.
2. DIMENSIONALLY IDENTICAL SEAT RING MAY BE EITHER SCREWED OR SCREWED AND SEAL WELD.
3. END COVER SHALL BE TACK WELD AT 3 EQUAL DISTANCED PLACES AFTER EDGE PREPARATION
4. HYDRAULIC TEST PROCEDURE SHALL BE AS PER LATEST APPLICABLE QUALITY PROCEDURE.

SL. No.	TYPE No.	ASSY. DRG No.	MATL. SPECN.	VALVE SPECN.
01	N255	2-V-N255-06020/01	A216 WCB	3"-300C WCB BW GV HW
02	N256	2-V-N256-06020/01	A216 WCC	3"-300C WCC BW GV HW
03	N257	2-V-N257-06020/01	A217 WC6	3"-300C WC6 BW GV HW
04	N258	2-V-N258-06020/01	A217 WC9	3"-300C WC9 BW GV HW
05	N326	2-V-N326-06020/01	A216 WCB	3"-300C WCB BW GV HW SG
06	N379	2-V-N379-06020/01	A216 WCC	3"-300C WCC BW GV HW SG
07	N380	2-V-N380-06020/01	A217 WC6	3"-300C WC6 BW GV HW SG
08	N381	2-V-N381-06020/01	A217 WC9	3"-300C WC9 BW GV HW SG
09	N696	2-V-N696-06020	A351 CF8	3"-300C CF8 BW GV HW SG
10	N697	2-V-N697-06020	A351 CF8	3"-300C CF8 BW GV HW SG

No OFF	DESCRIPTION	MATL CODE	MATL SPECN	HEAT TREATMENT	SCRAP SORT	NET WT (kg)	GROSS WT (kg)	DRAWING No	ITEM No
<p>TYPE OF PRODUCT OR NAME OF CUSTOMER/PROJECT</p> <p>DRAWING RETRACED WITH 04 REVISION ON 22.10.98</p> <p>BHARAT HEAVY ELECTRICALS LTD. UNIT: HIGH PRESSURE BOILER PLANT. TIRUCHIRAPALLI-620014.</p> <p>DRN: K.P.LEON CHD: N.DHANAPAL APPD: K.SAKETHARAMAN</p> <p>DATE: 22.10.98 DATE: 22.10.98 DATE: 22.10.98</p> <p>DEPT: V.L CODE: 320</p> <p>SCALE: NTS. WEIGHT (KG): 55.0</p> <p>REFERENCE INFORMATION: CAD:C206020</p> <p>TITLE: GATE VALVE ASSY. (3"-300C)</p> <p>CARD CODE: U 01 DRAWING NO.: 2-V-0000-06020</p>									
									REV: 04

REV	DATE	ALTERED
04	22.10.98	CHD & APPD

TYPE No.N610 DELETED FROM TABULATION

CAUTION: The information on this document is the property of BHARAT HEAVY ELECTRICALS and must not be used directly or indirectly in any way detrimental to the interest of the company.