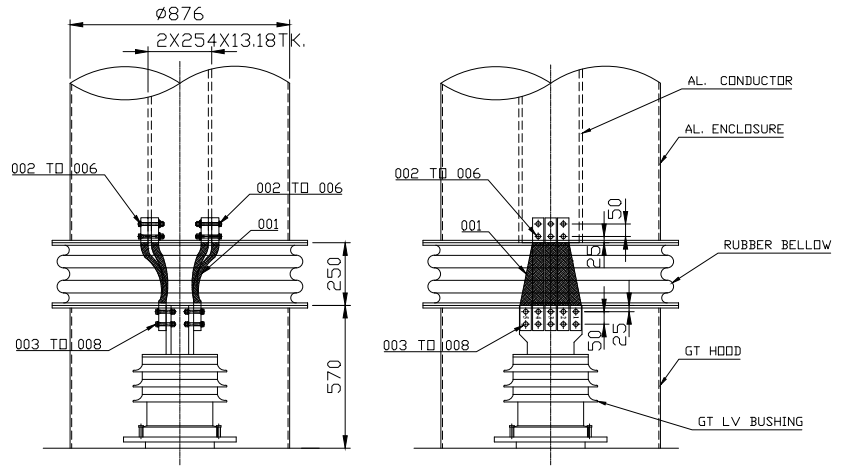
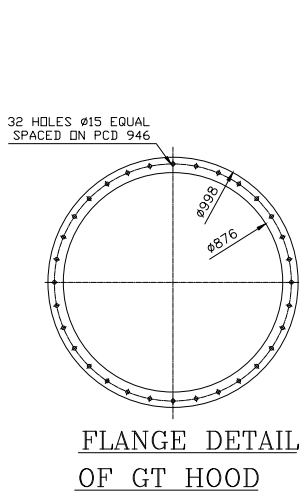


ALL DIMENSIONS IN MM.
 COPYRIGHT & CONFIDENTIAL: THE INFORMATION ON THIS DOCUMENT IS THE PROPERTY OF BHARAT HEAVY ELECTRICALS LIMITED. IT MUST NOT BE USED DIRECTLY OR INDIRECTLY IN ANY DETERIMENTAL TO THE INTEREST OF THE COMPANY.

1		2		3	
REV.	DATE	ALTERD	DATE	ALTERD	DATE
01	22.09.16	NK SINGH			
		CHECKED		CHECKED	
DRAWING REVISED AS PER CUSTOMER COMMENTS WIDE LETTER NO.- PHPA/Dy.CE(Gen.)/MEM-2(m)/ 2015/1768,DATED-31.12.2015				BOM-270000	



NOTE-
1. GEN. TRANSFORMER DRAWING NO.- 34520000712 REV.07

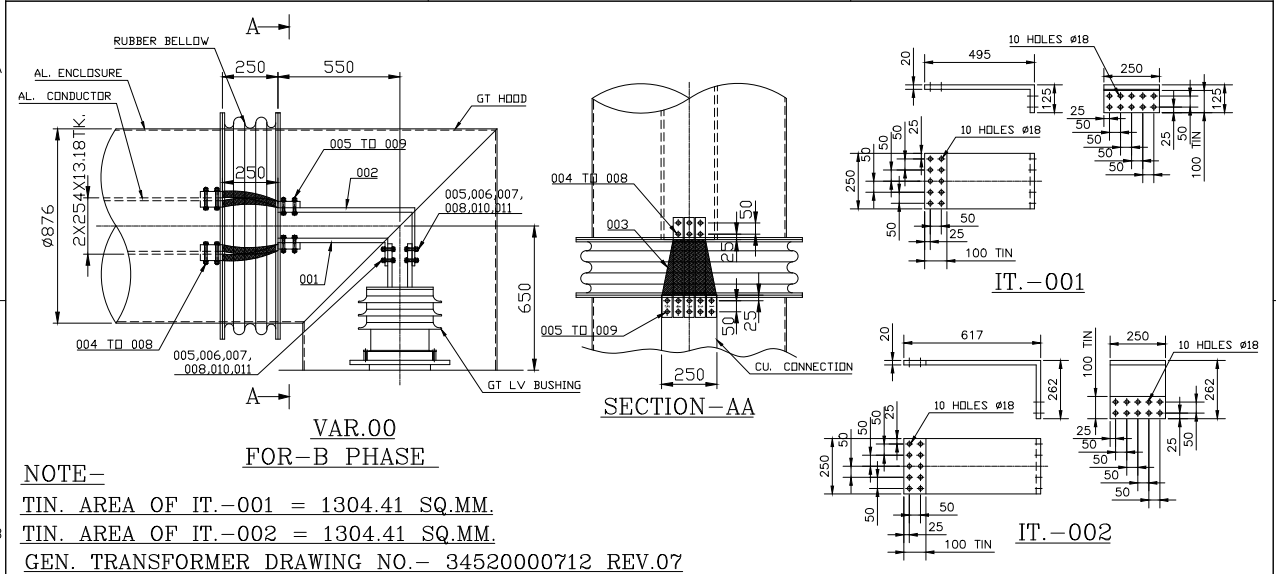
020		008	SCREW HEX A M16x80-SS					
020		007	WASHER SPRING M16 -SS					
032		006	WASHER PNCHD A 17-SS					
032		005	WASHER BELLEBILLE M16-SS	D-9279673	003			
032		004	WASHER SPECIAL M16-SS	45415101103	006			
032		003	NUT HEX A M16-ST					
012		002	SCREW HEX A M16x100-SS					
010		001	CU. BRAIDED FLEXIBLE	42001200103	00			
VAR 00	REMARKS	ITEM NO.	DESCRIPTION	DRAWING NO.	IT.NO. VAR.	MATL.CODE MATL.SPCN.	WT. QTY.	5 0

CUSTOMER		PHPA-I, BHUTAN	PROJECT/PRODUCT					
CONSULTANT		WAPCOS LIMITED, GURGAON	6x200MW PUNATSANGCHHU-I HEP					
CONTRACTOR		CEA, NEW DELHI	DRN.	NK SINGH	SIGN.		DATE	NO. OF VAR.
		BHARAT HEAVY ELECTRICALS LIMITED RUDRAPUR	CKD.	SK SINGH				
			APPD.	A.NARAYAN				
DEPTT. BDE	UNTOL.DIM.GR. C/M/F		SCALE N.T.S.	WEIGHT-KG	REF.TO ASSY.DRG.	IT.NO.	NO. OF ITEM	
TITLE					DRAWING NO.		REV.	
GT TERMINATION (R&Y PHASE)					41081200202		01	
SHEET NO.- 01				NO.OF SHEETS- 06		SIZE- A4		

1			2			3		
REV.	DATE	ALTERD	REV.	DATE	ALTERD	REV.	DATE	ALTERD
01	22.09.16	NK SINGH						
		CHECKED SK SINGH			CHECKED			CHECKED

DRAWING REVISED AS PER CUSTOMER COMMENTS
WIDE LETTER NO.- PHPA/Dy.CE(Gen.)/MEM-2(m)/
2015/1768,DATED-31.12.2015

BOM-271000



NOTE-
TIN. AREA OF IT.-001 = 1304.41 SQ.MM.
TIN. AREA OF IT.-002 = 1304.41 SQ.MM.
GEN. TRANSFORMER DRAWING NO.- 34520000712 REV.07

020		011	SCREW HEX A M16x65-SS					
020		010	WASHER SPRING M16 -SS					
010		009	SCREW HEX A M16x80-SS					
052		008	WASHER PNCHD A 17-SS					
052		007	WASHER BELLEBILLE M16-SS	D-9279673	003			
052		006	WASHER SPECIAL M16-SS	45415101103	006			
052		005	NUT HEX A M16-ST					
012		004	SCREW HEX A M16x100-SS					
010		003	CU. BRAIDED FLEXIBLE	42001200103	00			
001	SEE DETAIL	002	CU. CONNECTION 20TKx250x859 LG.					38.225
001	SEE DETAIL	001	CU. CONNECTION 20TKx250x600 LG.					26.700
VAR 00	REMARKS	ITEM NO.	DESCRIPTION	DRAWING NO.	IT.NO. VAR.	MATL.CODE MATL.SPCN.	WT. QTY.	0 0

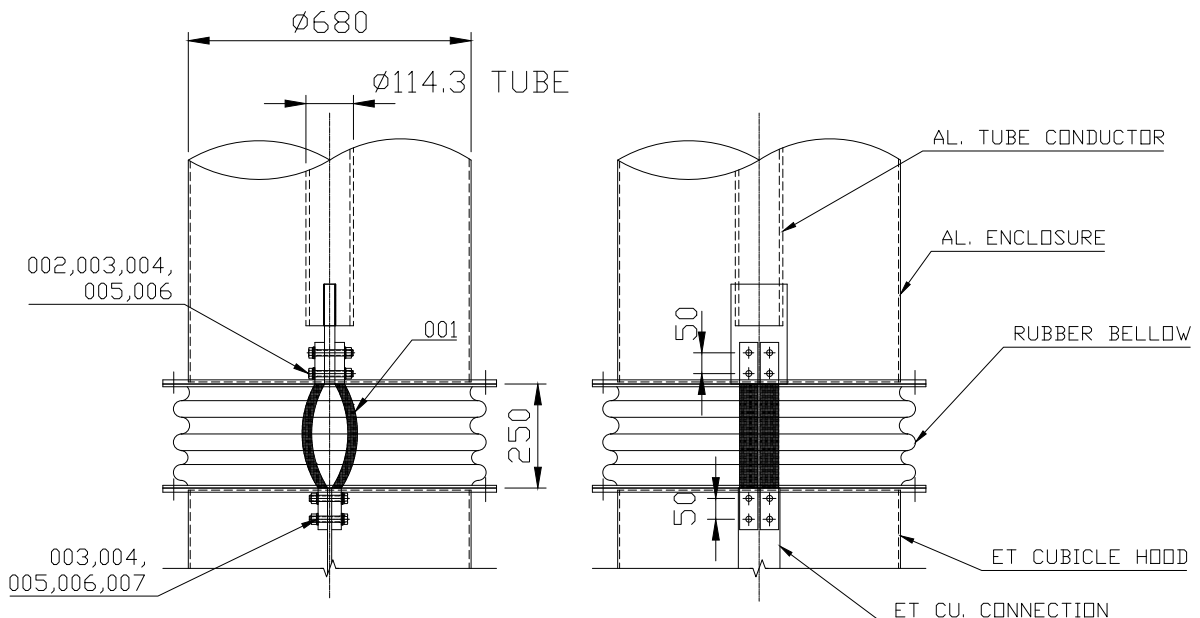
CUSTOMER		PHPA-I, BHUTAN	PROJECT/PRODUCT						
CONSULTANT		WAPCOS LIMITED, GURGAON	6x200MW PUNATSANGCHHU-I HEP						
CONTRACTOR		CEA, NEW DELHI	DRN.	NK SINGH	SIGN.		DATE		NO. OF VAR.
		BHARAT HEAVY ELECTRICALS LIMITED RUDRAPUR	CKD.	SK SINGH					
			APPD.	A.NARAYAN					
DEPTT. BDE	UNTOL.DIM.GR. C/M/F		SCALE N.T.S.	WEIGHT-KG	REF.TO ASSY.DRG.	IT.NO.	NO.OF ITEM		
TITLE			DRAWING NO.				REV.		
GT TERMINATION (B PHASE)			41081200202				01		
SHEET NO.- 02			NO.OF SHEETS- 06			SIZE- A4			

COPYRIGHT & CONFIDENTIAL: THE INFORMATION ON THIS DOCUMENT IS THE PROPERTY OF BHARAT HEAVY ELECTRICALS LIMITED. IT MUST NOT BE USED DIRECTLY OR INDIRECTLY TO THE INTEREST OF THE COMPANY.

1			2			3		
REV.	DATE	ALTERD	REV.	DATE	ALTERD	REV.	DATE	ALTERD
01	22.09.16	NK SINGH						
		CHECKED SK SINGH			CHECKED			CHECKED

DRAWING REVISED AS PER CUSTOMER COMMENTS
WIDE LETTER NO.- PHPA/Dy.CE(Gen.)/MEM-2(m)/
2015/1768,DATED-31.12.2015

BOM-275000



VAR.00

EXCITATION TRANSFORMER DRAWING NO.-36530011002 REV.09.

004		007	SCREW HEX A M12x100-SS					
008		006	NUT HEX A M12-ST					
008		005	WASHER BELLEBILLE M12-SS	D-9 279 673	001			
008		004	WASHER SPECIAL M12-SS	4 541 51 01 103	002			
008		003	WASHER PNCHD A 14-SS					
004		002	SCREW HEX A M12x110-SS					
004	SENT LOOSE	001	CU. BRAIDED FLEXIBLE	4 200 12 00 052	00			
VAR	REMARKS	ITEM NO.	DESCRIPTION	DRAWING NO.	IT.NO.	MATL.CODE	WT.	0 0
00					VAR.	MATL.SPCN.	QTY.	

CUSTOMER		PHPA-I, BHUTAN	PROJECT/PRODUCT					
CONSULTANT		WAPCOS LIMITED, GURGAON	6x200MW PUNATSANGCHHU-I HEP					
CONTRACTOR		BHARAT HEAVY ELECTRICALS LIMITED RUDRAPUR	DRN.	NK SINGH	SIGN.		NO. OF VAR.	
			CKD.	SK SINGH	DATE	-		
			APPD.	A.NARAYAN				
DEPTT.	UNTOL.DIM.GR.	SCALE	WEIGHT-KG	REF.TO ASSY.DRG.	IT.NO.	NO.OF ITEM		
BDE	C/M/F	N.T.S.						
TITLE	ET TERMINATION			DRAWING NO.	41081200202		REV.	
				SHEET NO.-	03	NO.OF SHEETS-	06	
						SIZE-	A4	

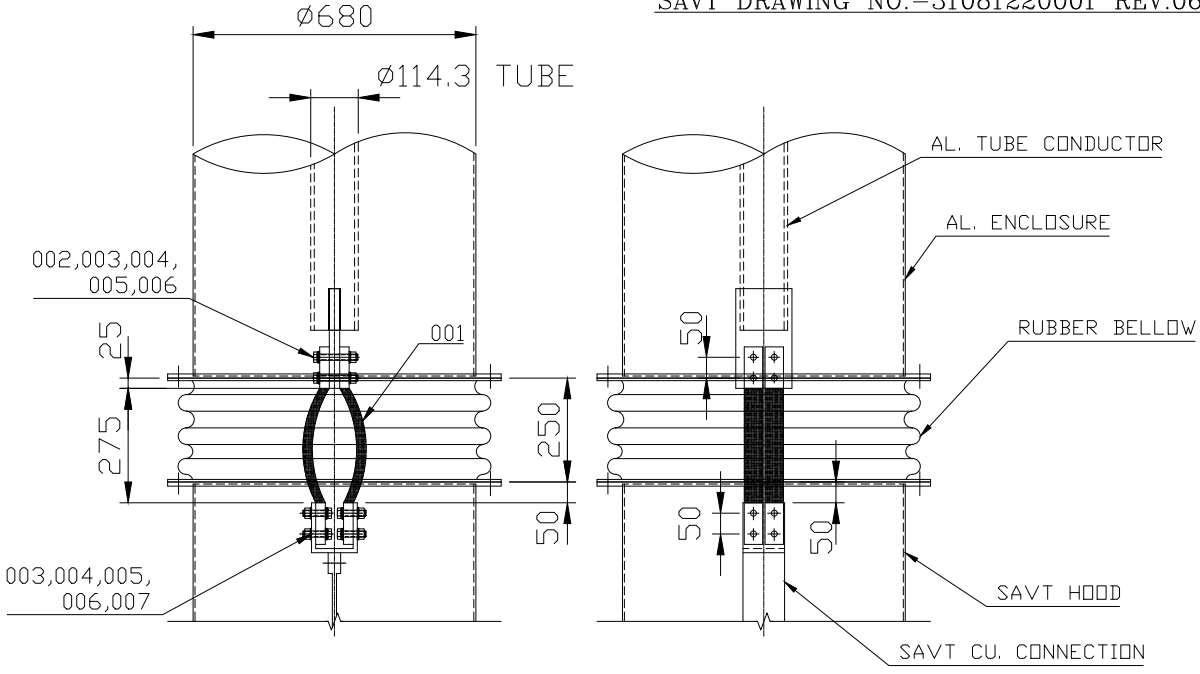
COPYRIGHT & CONFIDENTIAL: THE INFORMATION ON THIS DOCUMENT IS THE PROPERTY OF BHARAT HEAVY ELECTRICALS LIMITED. IT MUST NOT BE USED DIRECTLY OR INDIRECTLY TO THE INTEREST OF THE COMPANY.

1		2		3	
REV.	DATE	ALTERD	DATE	ALTERD	DATE
01	22.09.16	NK SINGH			
		CHECKED	SK SINGH	CHECKED	CHECKED

DRAWING REVISED AS PER CUSTOMER COMMENTS
WIDE LETTER NO.- PHPA/Dy.CE(Gen.)/MEM-2(m)/
2015/1768,DATED-31.12.2015

BOM-290000

SAVT DRAWING NO.-31081220001 REV.06.



VAR.00

008	SENT LOOSE	007	SCREW HEX A M12x65 -SS					
012	SENT LOOSE	006	NUT HEX A M12-SS					
012	SENT LOOSE	005	WASHER BELLEBILLE M12-SS	D-9 279 673	001			
012	SENT LOOSE	004	WASHER SPECIAL M12-SS	4 541 51 01 103	002			
012	SENT LOOSE	003	WASHER PNCHD A 14-SS					
004	SENT LOOSE	002	SCREW HEX A M12x110 -SS					
004	SENT LOOSE	001	CU.BRAIDED FLEXIBLE	4 200 12 00 098	00			
VAR 00	REMARKS	ITEM NO.	DESCRIPTION	DRAWING NO.	IT.NO. VAR.	MATL.CODE MATL.SPCN.	WT. QTY.	0 0

CUSTOMER		PHPA-I, BHUTAN	PROJECT/PRODUCT						
CONSULTANT		WAPCOS LIMITED, GURGAON	6x200MW PUNATSANGCHHU-I HEP						
CONTRACTOR		CEA, NEW DELHI	DRN.	NK SINGH	SIGN.		DATE	-	NO. OF VAR.
		BHARAT HEAVY ELECTRICALS LIMITED RUDRAPUR	CKD.	SK SINGH					
			APPD.	A.NARAYAN					
DEPTT.	UNTOL.DIM.GR.		SCALE	WEIGHT-KG	REF.TO ASSY.DRG.	IT.NO.	NO. OF ITEM		
BDE	C/M/F		N.T.S.						
TITLE	SAVT TERMINATION ARRGMT.				DRAWING NO.	41081200202		REV.	01
					SHEET NO.-	05	NO.OF SHEETS-	06	SIZE- A4

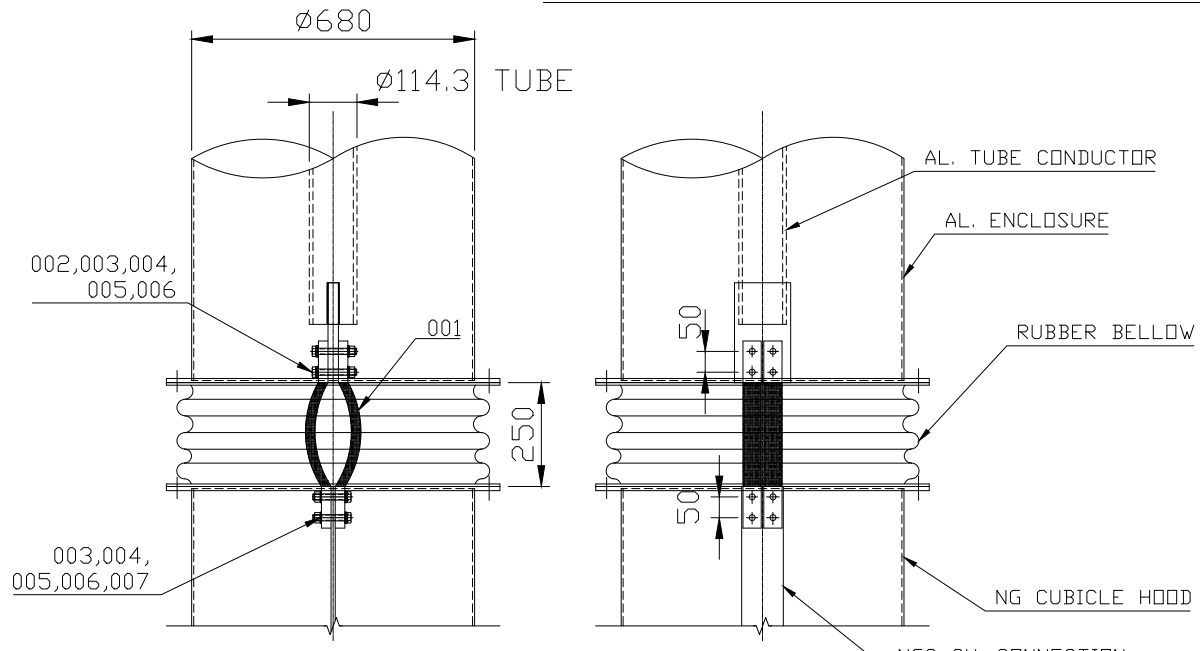
COPYRIGHT & CONFIDENTIAL: THE INFORMATION ON THIS DOCUMENT IS THE PROPERTY OF BHARAT HEAVY ELECTRICALS LIMITED. IT MUST NOT BE USED DIRECTLY OR INDIRECTLY TO THE INTEREST OF THE COMPANY.

1			2			3		
REV.	DATE	ALTERD	REV.	DATE	ALTERD	REV.	DATE	ALTERD
01	22.09.16	NK SINGH						
		CHECKED SK SINGH			CHECKED			CHECKED

DRAWING REVISED AS PER CUSTOMER COMMENTS
WIDE LETTER NO.- PHPA/Dy.CE(Gen.)/MEM-2(m)/
2015/1768,DATED-31.12.2015

BOM-295000

NG CUBICLE DRAWING NO.-31081220002 REV.05.



VAR.00

004		007	SCREW HEX A M12x100-SS					
008		006	NUT HEX A M12-ST					
008		005	WASHER BELLEBILLE M12-SS	D-9 279 673	001			
008		004	WASHER SPECIAL M12-SS	4 541 51 01 103	002			
008		003	WASHER PNCHD A 14-SS					
004		002	SCREW HEX A M12x110-SS					
004	SENT LOOSE	001	CU. BRAIDED FLEXIBLE	4 200 12 00 052	00			
VAR	REMARKS	ITEM NO.	DESCRIPTION	DRAWING NO.	IT.NO.	MATL.CODE	WT.	0 0
00					VAR.	MATL.SPCN.	QTY.	

CUSTOMER		PHPA-I, BHUTAN	PROJECT/PRODUCT					
CONSULTANT		WAPCOS LIMITED, GURGAON	6x200MW PUNATSANGCHHU-I HEP					
CONTRACTOR		BHARAT HEAVY ELECTRICALS LIMITED RUDRAPUR	DRN.	NK SINGH	SIGN.		NO. OF VAR.	
			CKD.	SK SINGH	DATE	-		
			APPD.	A.NARAYAN				
DEPTT.	UNTOL.DIM.GR.		SCALE	WEIGHT-KG	REF.TO ASSY.DRG.	IT.NO.	NO.OF ITEM	
BDE	C/M/F		N.T.S.					
TITLE			DRAWING NO.				REV.	
N.G. CUBICLE TERMINATION ARRGMT.			41081200202				01	
			SHEET NO.- 06		NO.OF SHEETS- 06		SIZE- A4	

COPYRIGHT & CONFIDENTIAL: THE INFORMATION ON THIS DOCUMENT IS THE PROPERTY OF BHARAT HEAVY ELECTRICALS LIMITED. IT MUST NOT BE USED DIRECTLY OR INDIRECTLY TO THE INTEREST OF THE COMPANY.

21771600006
DRAWING NO.

A/F 13000
A/F 12000

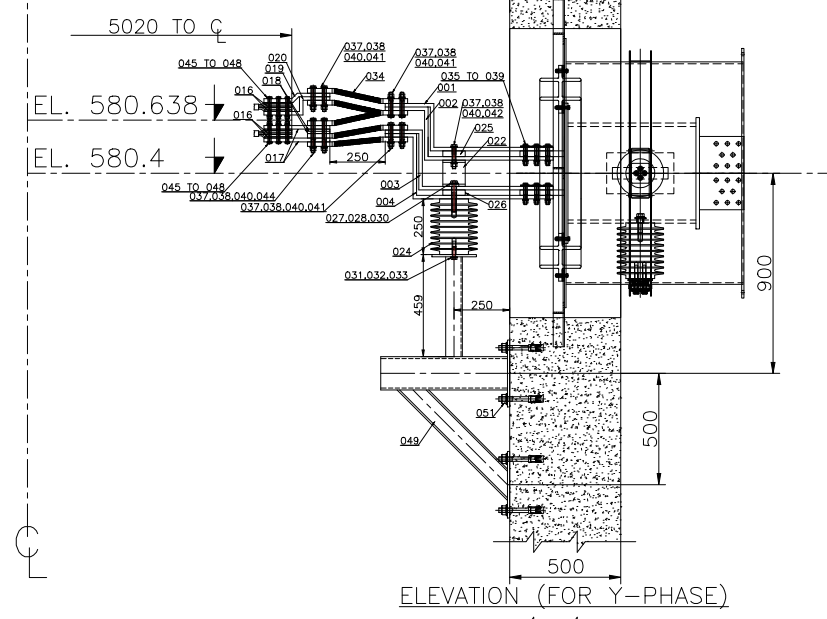
A/F 13000
A/F 12000

BOM-255000 & 260000

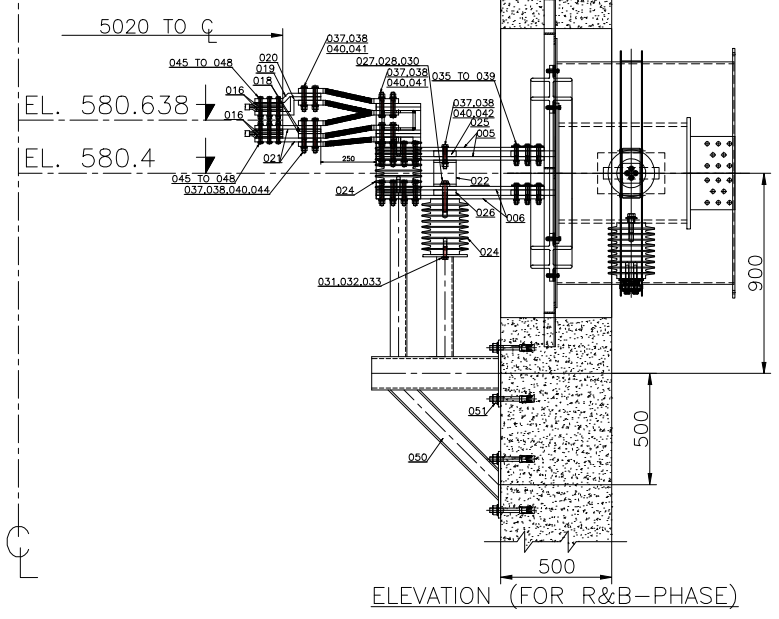
FIRST ANGLE PROJECTION

ALL DIMENSIONS IN MILLIMETER

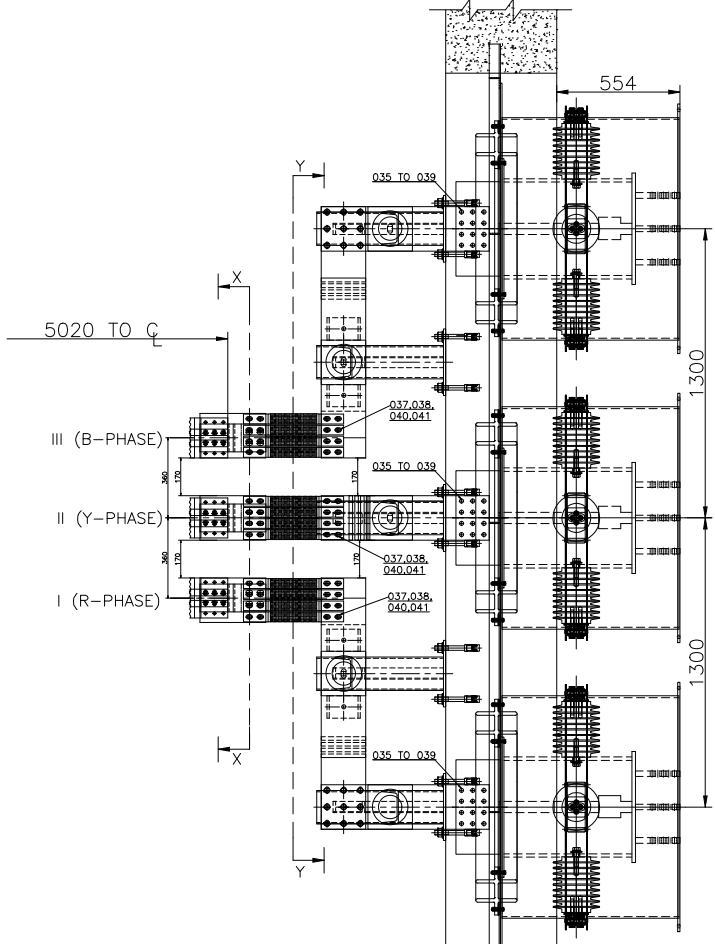
COPYRIGHT & CONFIDENTIAL THE INFORMATION ON THIS DOCUMENT IS THE PROPERTY OF BHARAT HEAVY ELECTRICALS LIMITED IT MUST NOT BE USED DIRECTLY OR INDIRECTLY IN ANY DETRIMENTAL TO THE INTEREST OF THE COMPANY.



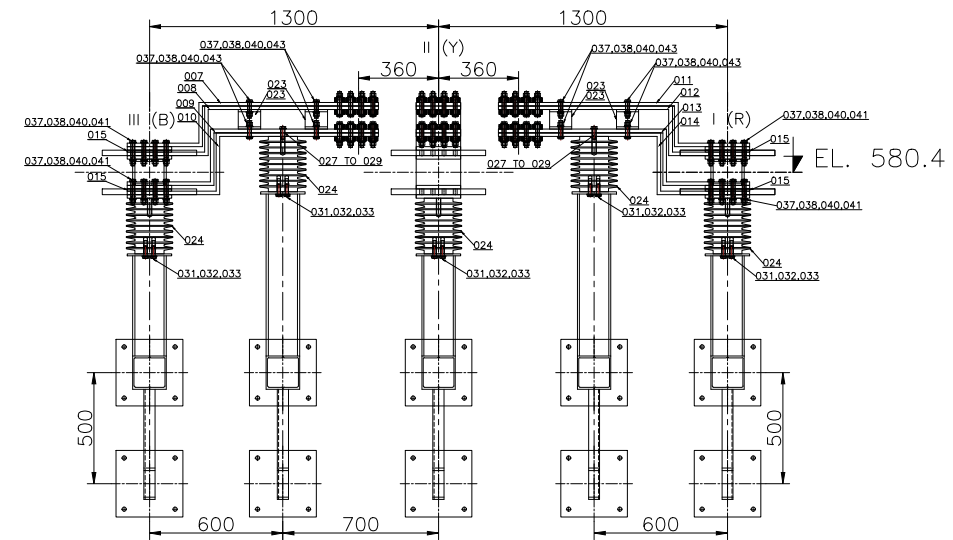
ELEVATION (FOR Y-PHASE)



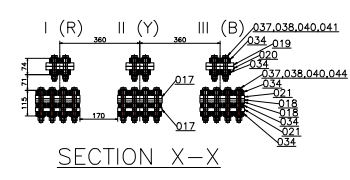
ELEVATION (FOR R&B-PHASE)



PLAN
(FOR LINE & NEUTRAL SIDE CU. CONN.)



SECTION Y-Y



SECTION X-X

ITEM NO.	REMARKS	ITEM NO.	DESCRIPTION	DRAWING NO.	IT. NO. VAR.	MATL. CODE	WT. MATL. SPCN.	QTY.
040	--	051	HILTI BOLTS	--	--	--	--	--
002	--	050	SUPP. STRUC. ASSY.	21771600006	01	--	--	--
003	--	049	SUPP. STRUC. ASSY.	21771600006	00	--	--	--
054	--	048	HEX HD SCREW M12x100LG.-SS	--	--	--	--	--
054	--	047	NUT HEX A M12-SS	--	--	--	--	--
108	--	046	WASHER PUNCHED A 14-SS	--	--	--	--	--
054	--	045	WASHER SPRING SC B 12-SS	--	--	--	--	--
024	--	044	HEX HD SCREW M16x150LG.-SS	--	--	--	--	--
008	--	043	HEX HD SCREW M16x75LG.-SS	--	--	--	--	--
003	--	042	HEX HD SCREW M16x95LG.-SS	--	--	--	--	--
096	--	041	HEX HD SCREW M16x110LG.-SS	--	--	--	--	--
131	--	040	WASHER SPRING SC B 16-SS	--	--	--	--	--
072	--	039	HEX HD SCREW M16x90LG.-SS	--	--	--	--	--
239	--	038	NUT HEX A M16-SS	--	--	--	--	--
334	--	037	WASHER PUNCHED A 18-SS	--	--	--	--	--
072	--	036	WASHER SPECIAL M16-SS	--	--	--	--	--
072	--	035	WASHER BELLEVILLE M16-SS	--	--	--	--	--
048	16 NOS./PHASE	034	CU. BRAIDED FLEXIBLE M16x45 LG.	42001200060	00	--	--	--
010	--	033	HEX HD SCREW-ST M16	--	--	--	--	--
010	--	032	PUNCHED WASHER-ST M16	--	--	--	--	--
010	--	031	SPRING WASHER-ST M16	--	--	--	--	--
003	--	030	HEX HD SCREW-ST M20x90 LG.	--	--	--	--	--
002	--	029	HEX HD SCREW-ST M20x55 LG.	--	--	--	--	--
005	--	028	PUNCHED WASHER-ST M20	--	--	--	--	--
005	--	027	SPRING WASHER-ST M20	--	--	--	--	--
003	--	026	AL. ALLOY PLATE 25TK X100X150LG.	21771600006	026	--	1.012	--
003	--	025	AL. ALLOY PLATE 25TK X100X150LG.	21771600006	025	--	1.012	--
005	--	024	INSULATOR 250 HT. (EPOXY)	25415155037	00	--	--	--
004	--	023	AL. BRACKET 100X150X88 LG.	21771600006	01	--	0.264	--
003	--	022	AL. BRACKET 100X150X118 LG.	21771600006	00	--	0.351	--
004	--	021	CU. FLAT 16TK X200X296LG.	21771600006	021	--	7.486	--
003	--	020	CU. FLAT 16TK X125X362LG.	21771600006	020	--	5.987	--
003	--	019	CU. FLAT 16TK X125X306LG.	21771600006	019	--	4.983	--
006	--	018	CU. FLAT 16TK X100X200LG.	21771600006	018	--	1.488	--
002	--	017	CU. FLAT 16TK X200X296LG.	21771600006	017	--	7.486	--
018	--	016	CU. FLAT 10TK X80X115LG.	21771600006	016	--	0.248	--
004	--	015	AL. ALLOY PLATE 9TK X200X200LG.	21771600006	015	--	0.972	--
001	--	014	CU. FLAT 16TK X200X1392LG.	21771600006	014	--	38.857	--
001	--	013	CU. FLAT 16TK X200X1367LG.	21771600006	013	--	38.14	--
001	--	012	CU. FLAT 16TK X200X1337LG.	21771600006	012	--	37.28	--
001	--	011	CU. FLAT 16TK X200X1312LG.	21771600006	011	--	36.563	--
001	--	010	CU. FLAT 16TK X200X1392LG.	21771600006	010	--	38.857	--
001	--	009	CU. FLAT 16TK X200X1367LG.	21771600006	009	--	38.14	--
001	--	008	CU. FLAT 16TK X200X1337LG.	21771600006	008	--	37.28	--
001	--	007	CU. FLAT 16TK X200X1312LG.	21771600006	007	--	36.563	--
004	--	006	CU. FLAT 16TK X200X755LG.	21771600006	006	--	20.345	--
004	--	005	CU. FLAT 16TK X200X755LG.	21771600006	005	--	20.345	--
001	--	004	CU. FLAT 16TK X200X1033LG.	21771600006	004	--	28.378	--
001	--	003	CU. FLAT 16TK X200X1008LG.	21771600006	003	--	27.661	--
001	--	002	CU. FLAT 16TK X200X978LG.	21771600006	002	--	26.801	--
001	--	001	CU. FLAT 16TK X200X953LG.	21771600006	001	--	26.084	--

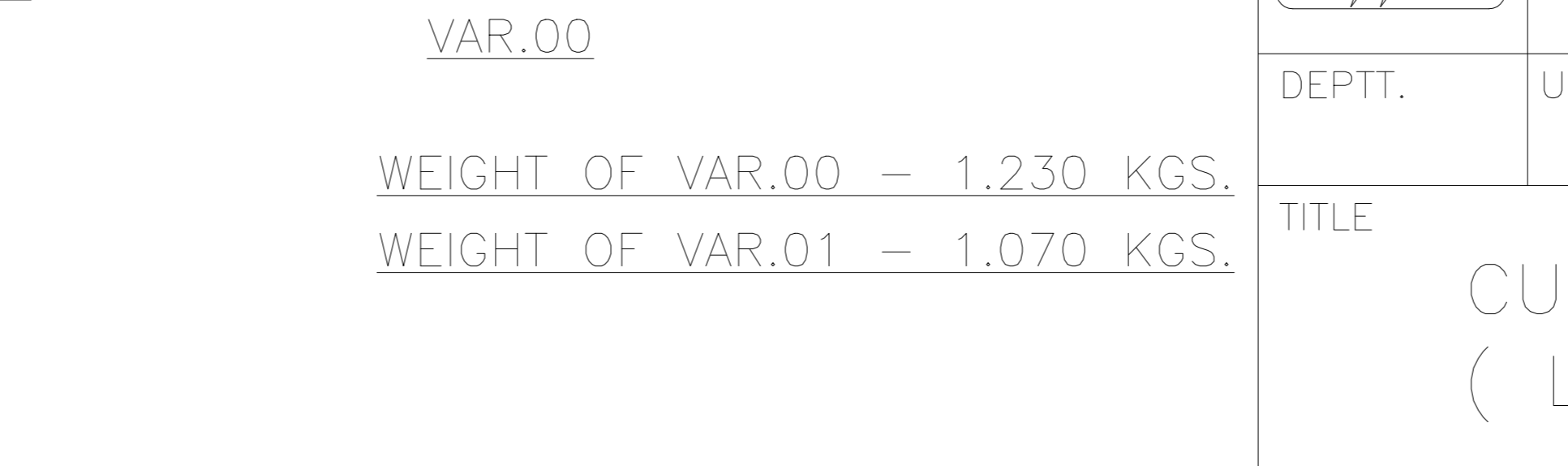
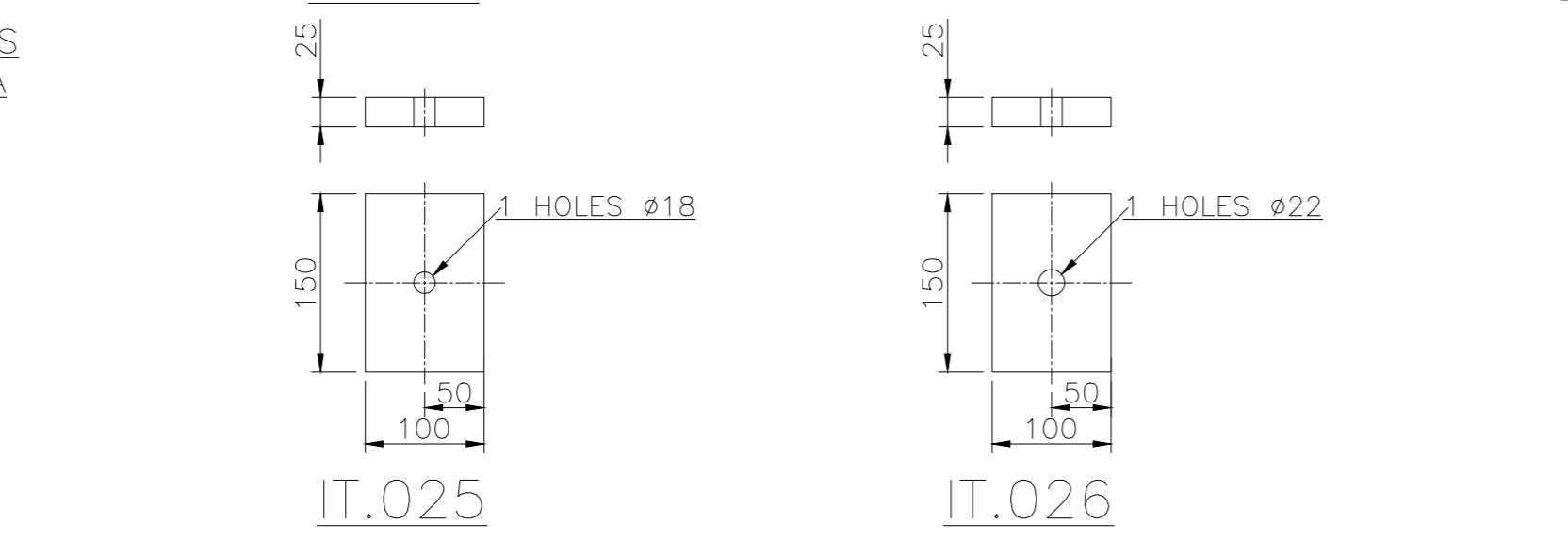
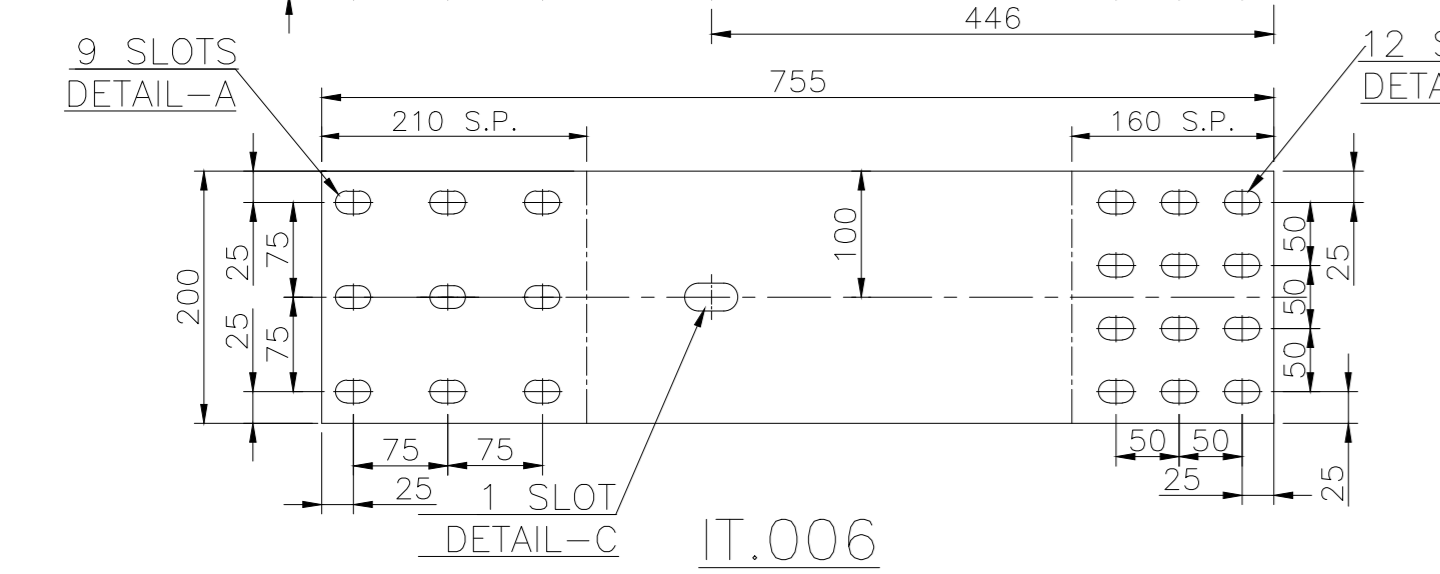
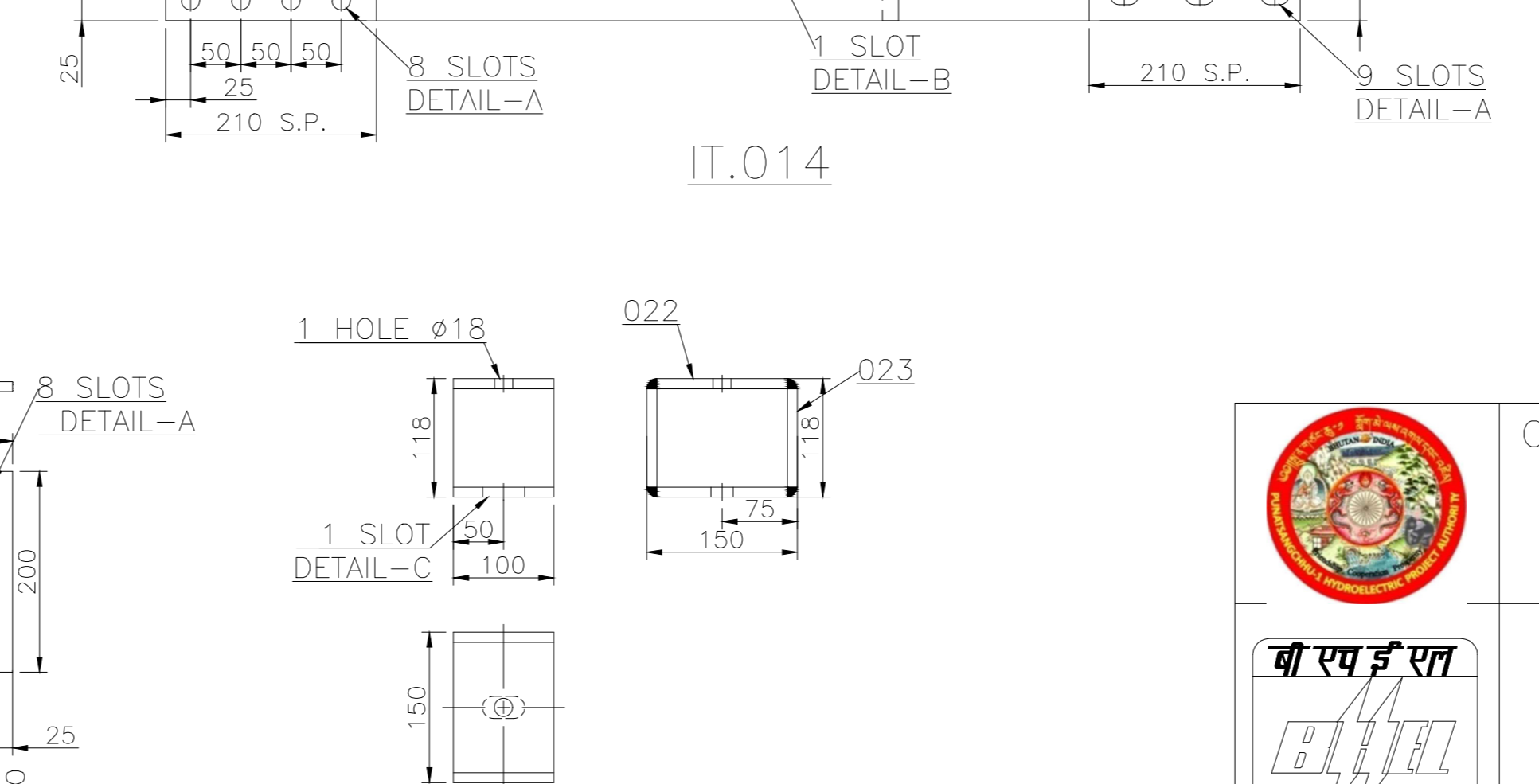
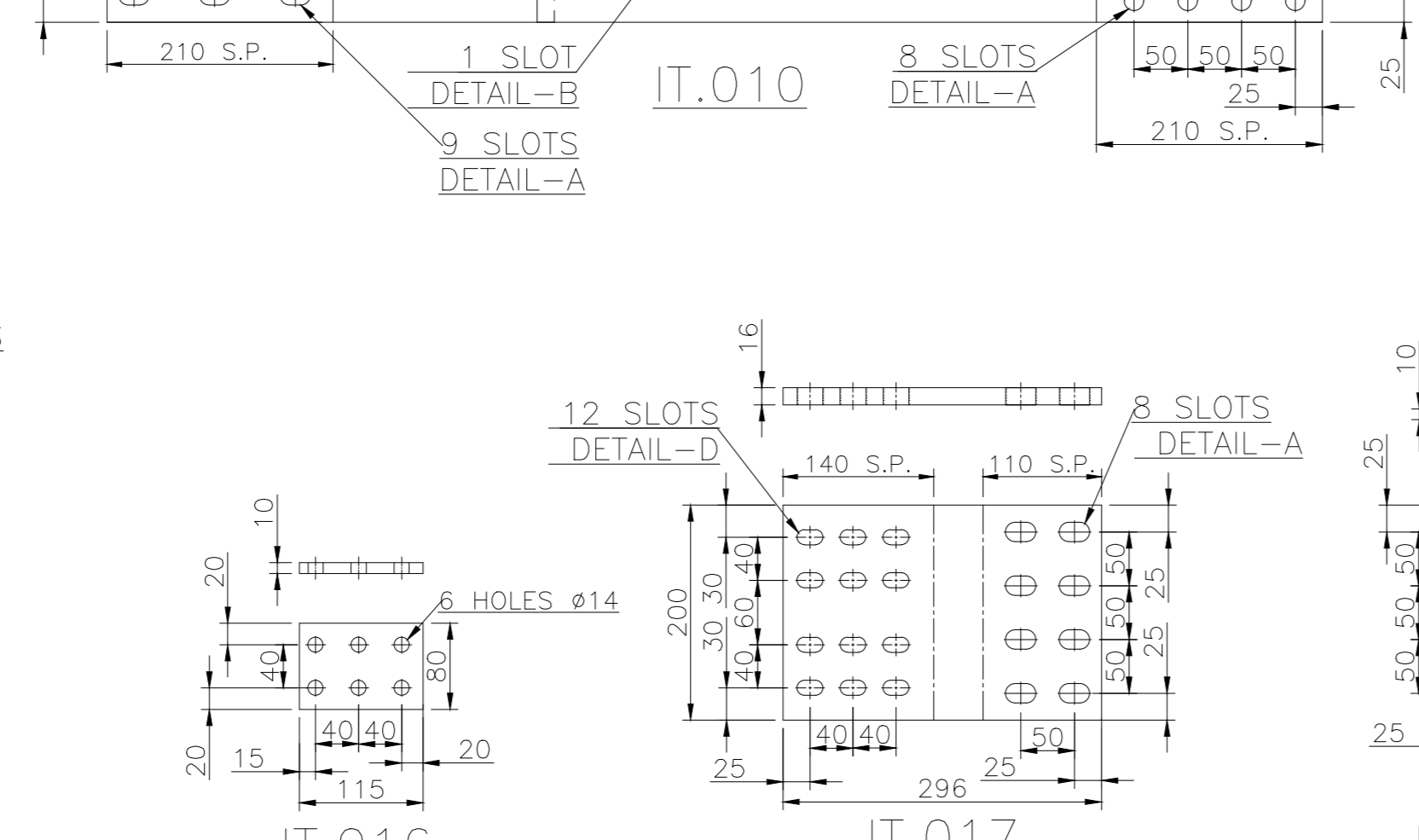
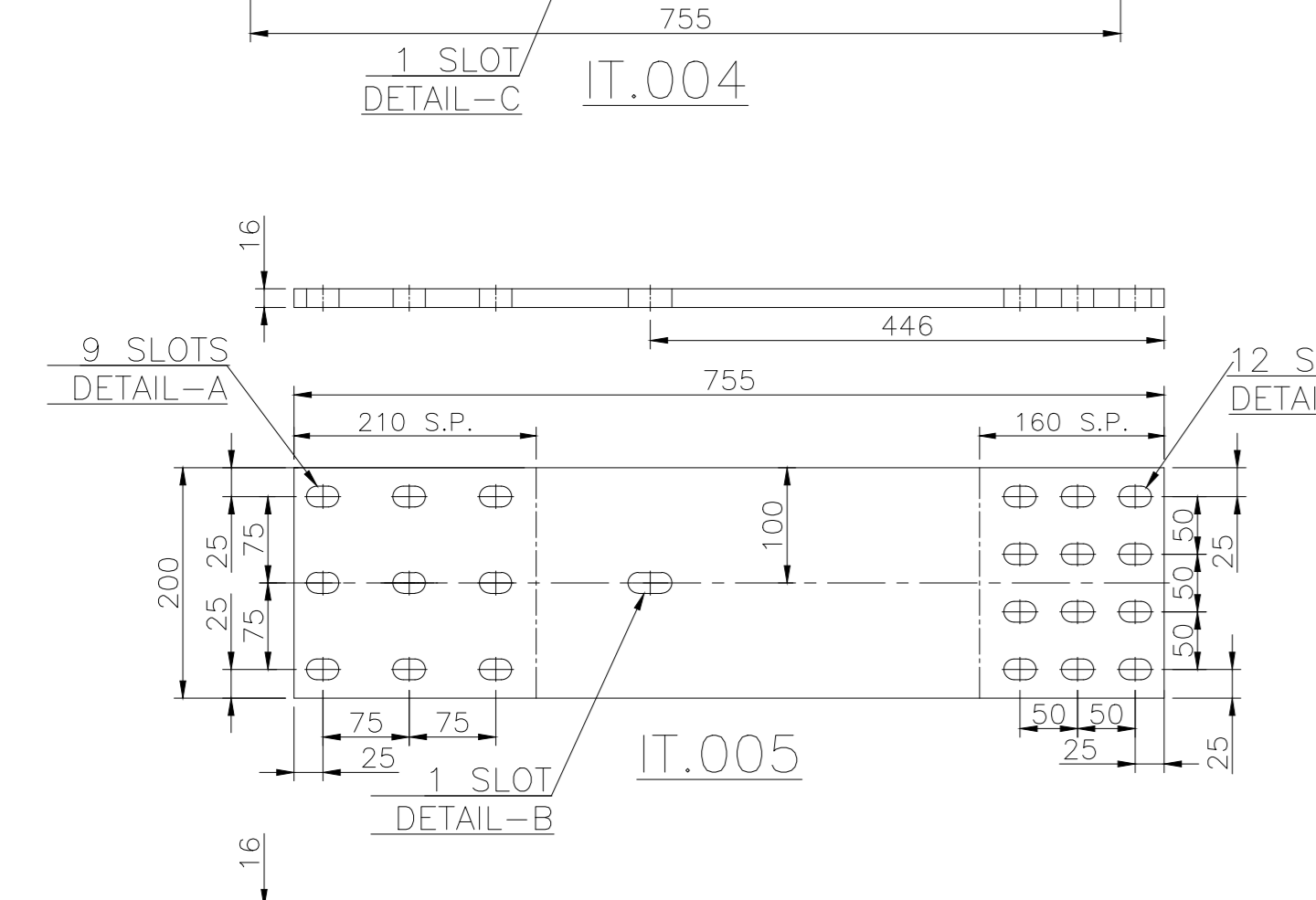
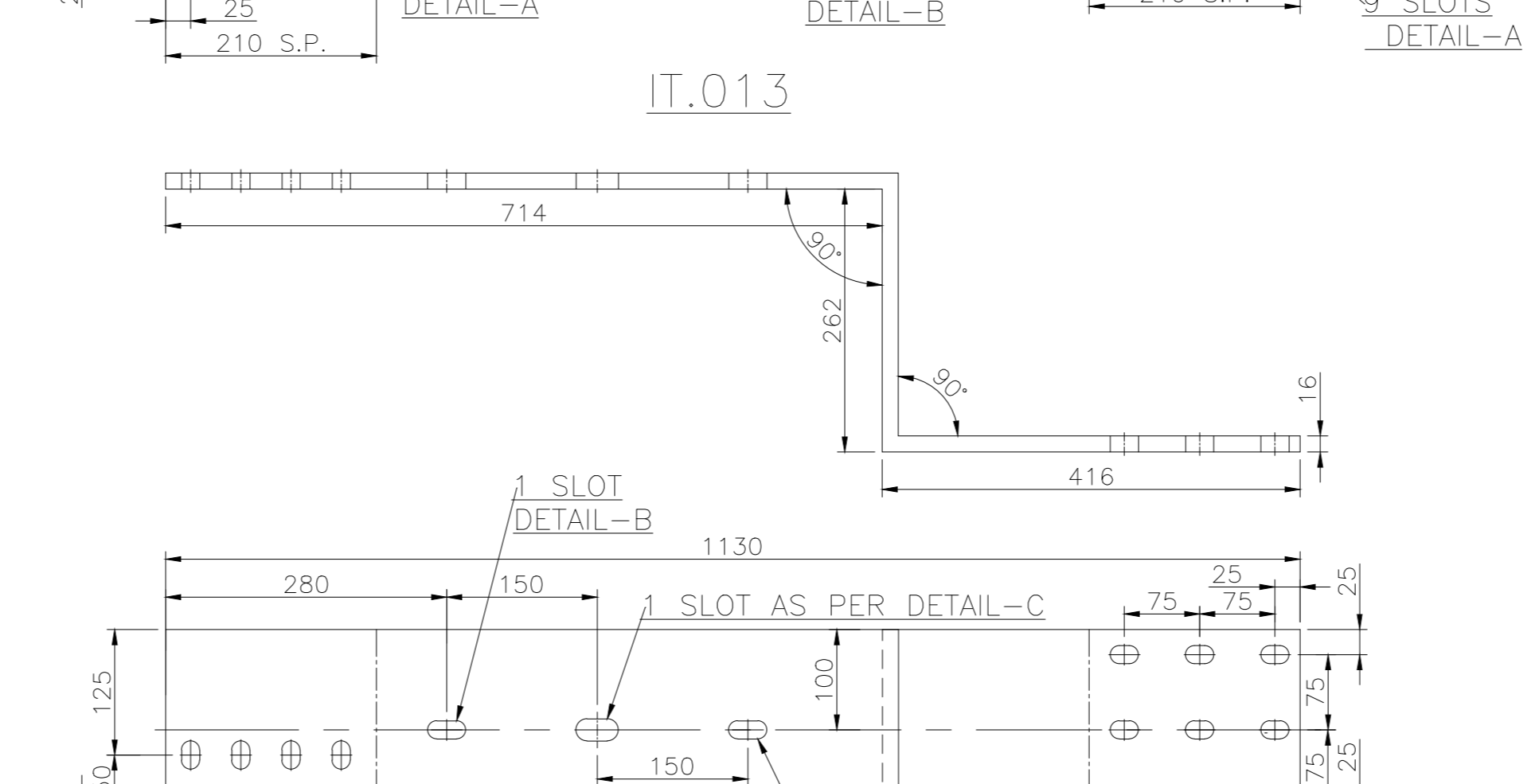
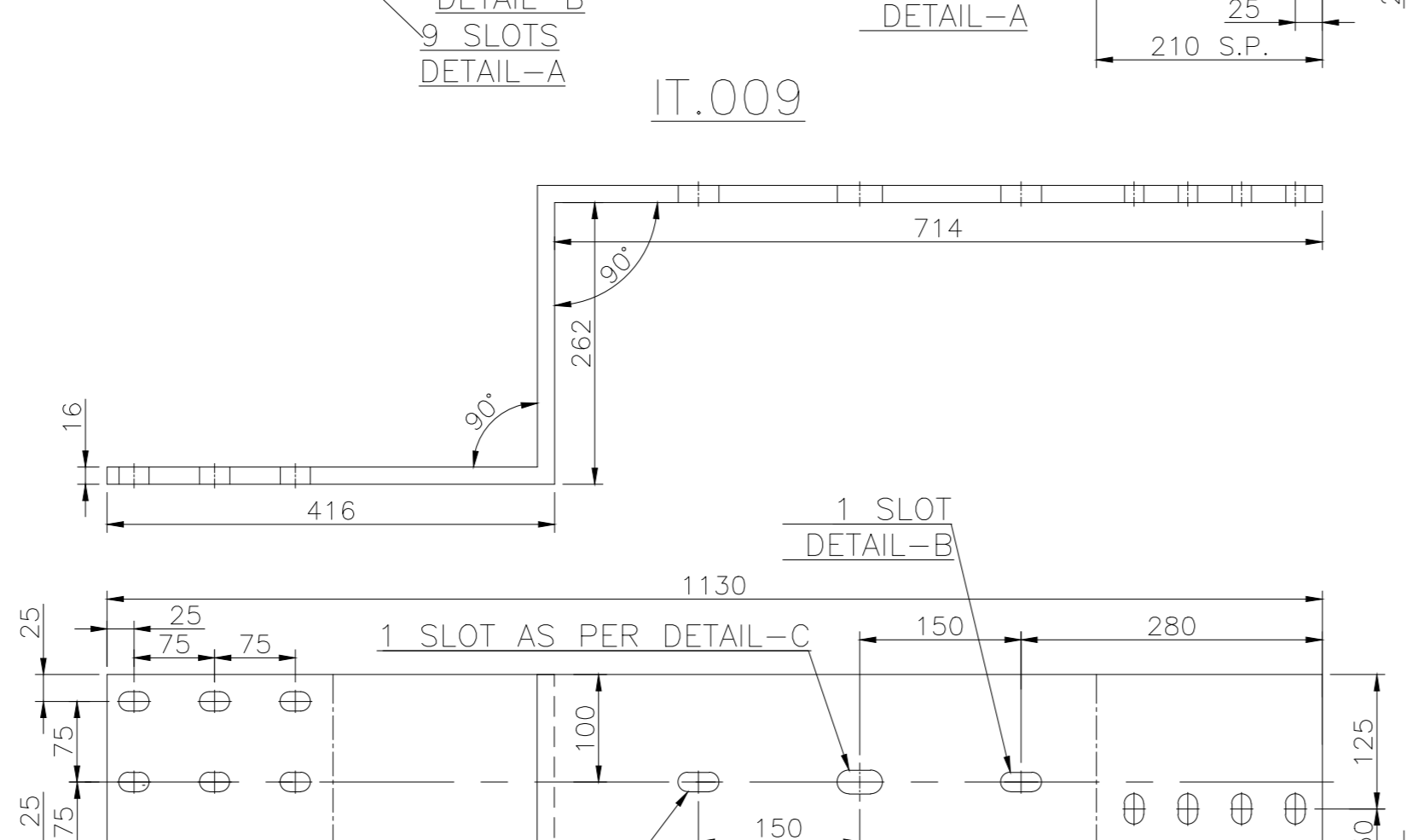
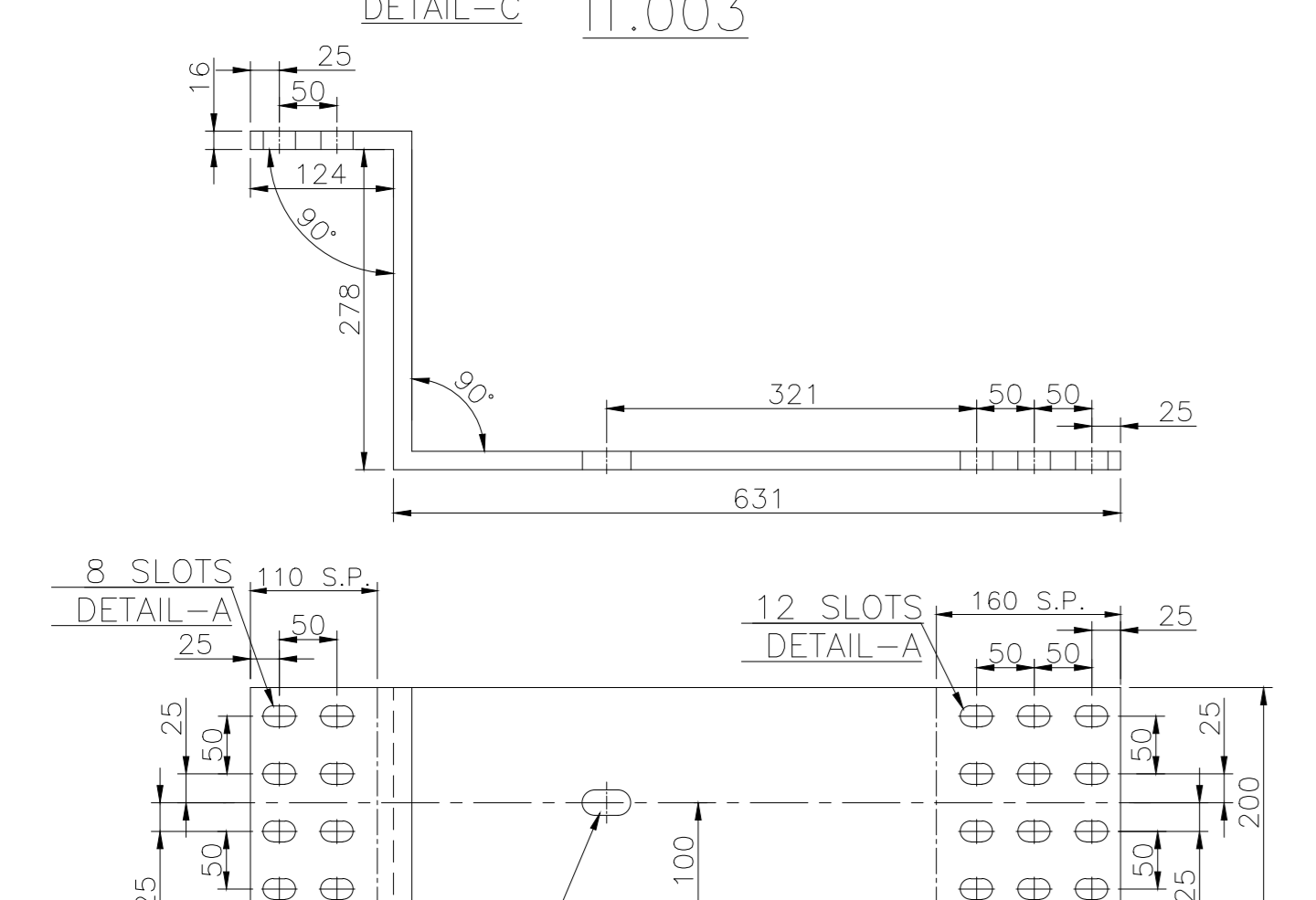
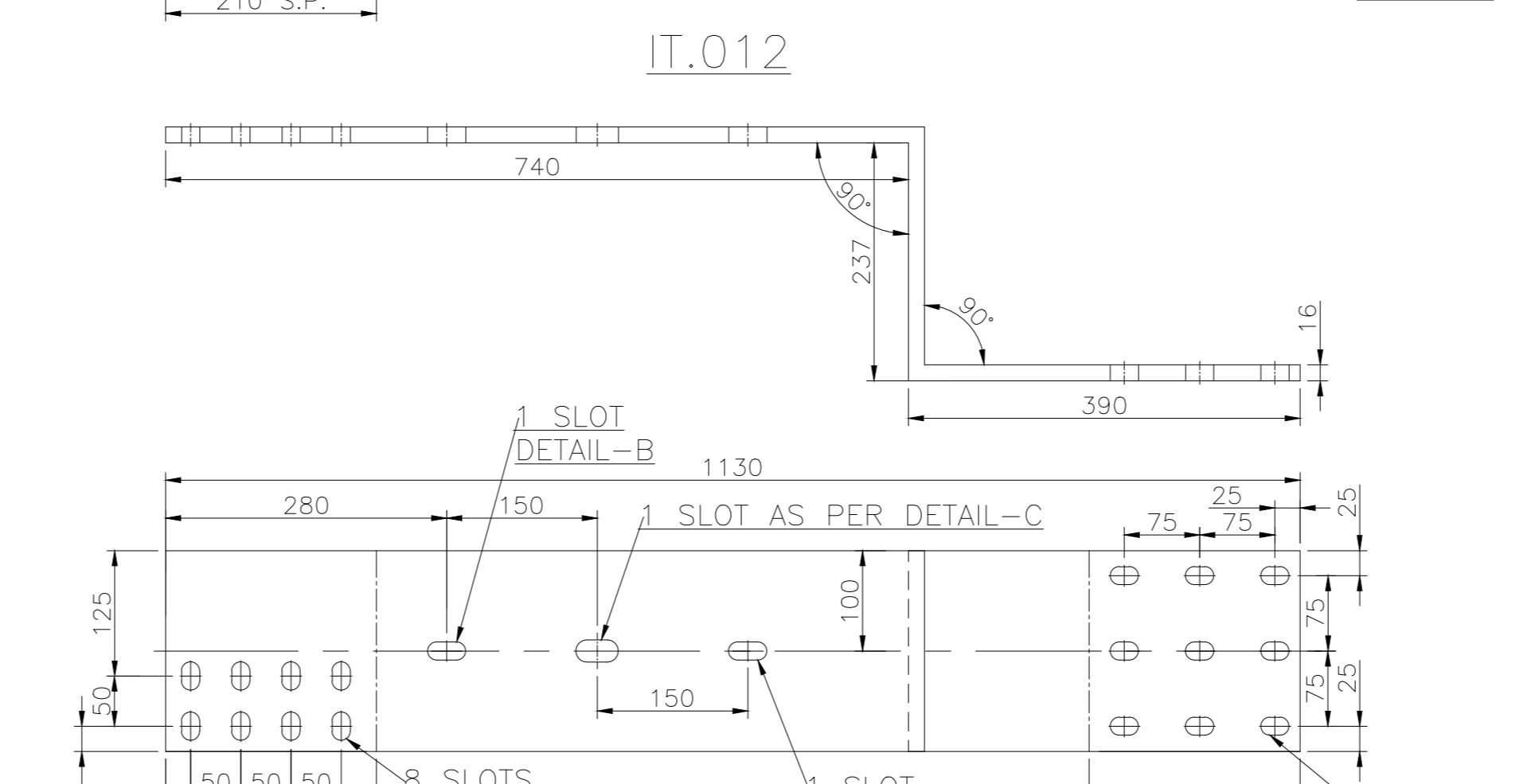
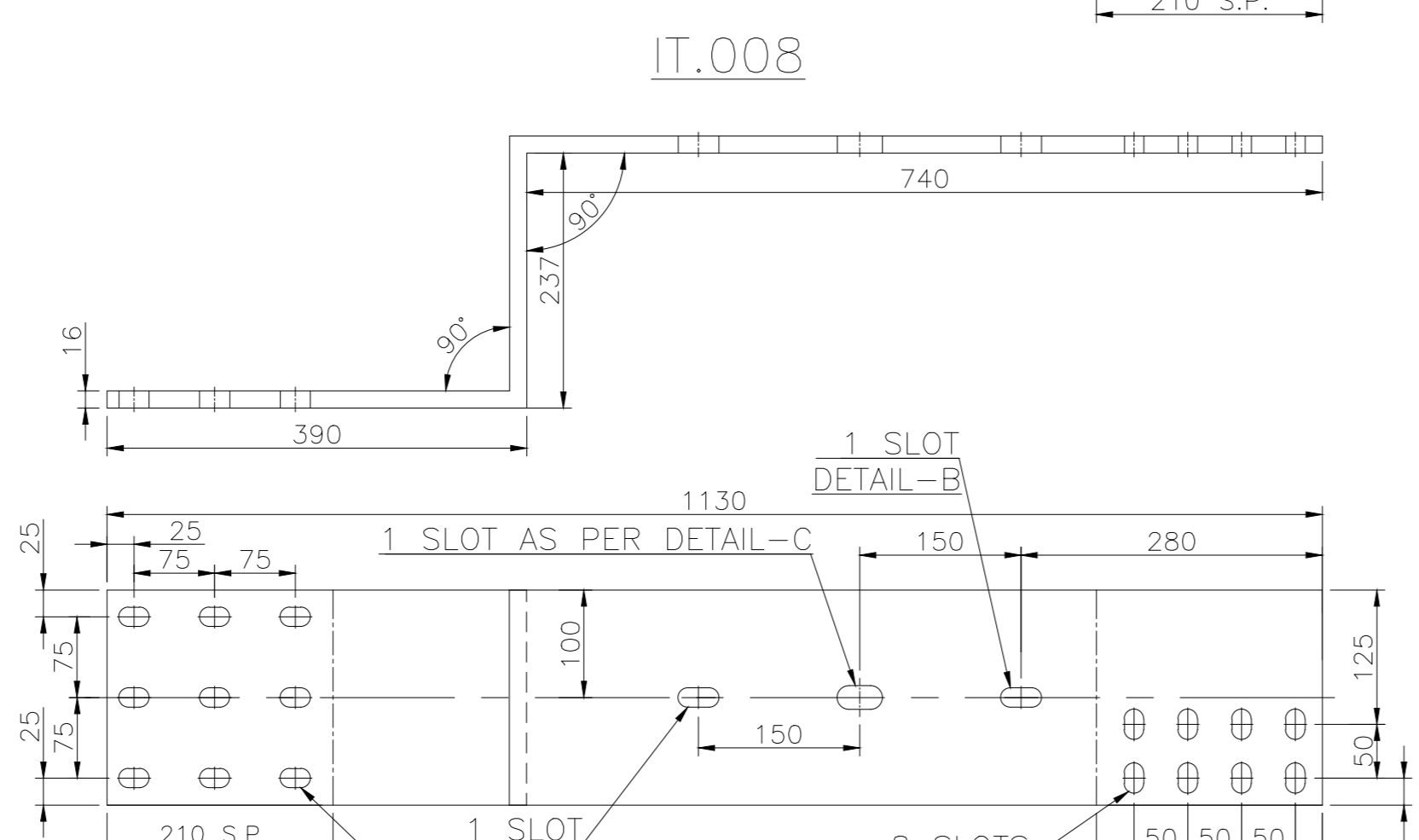
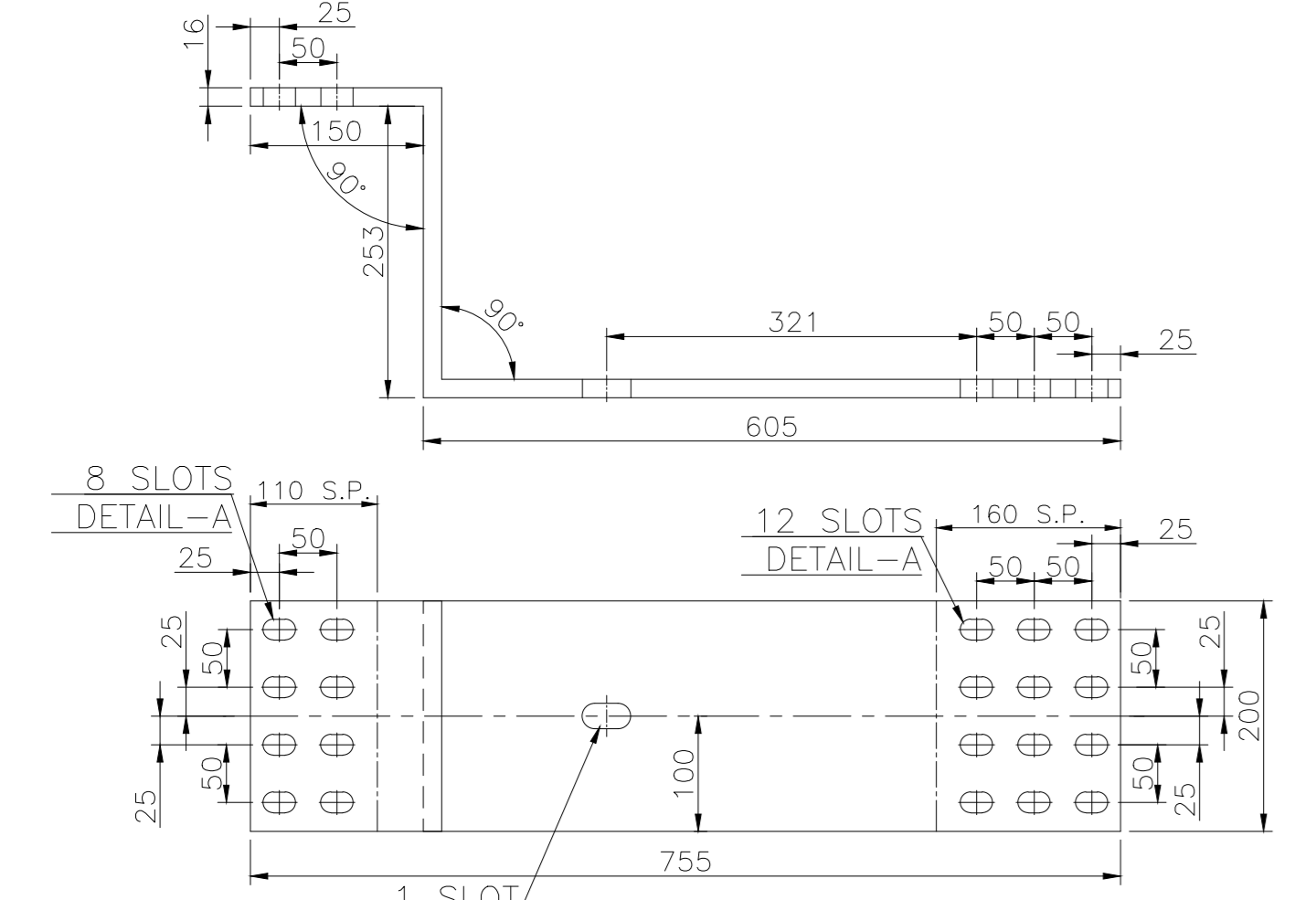
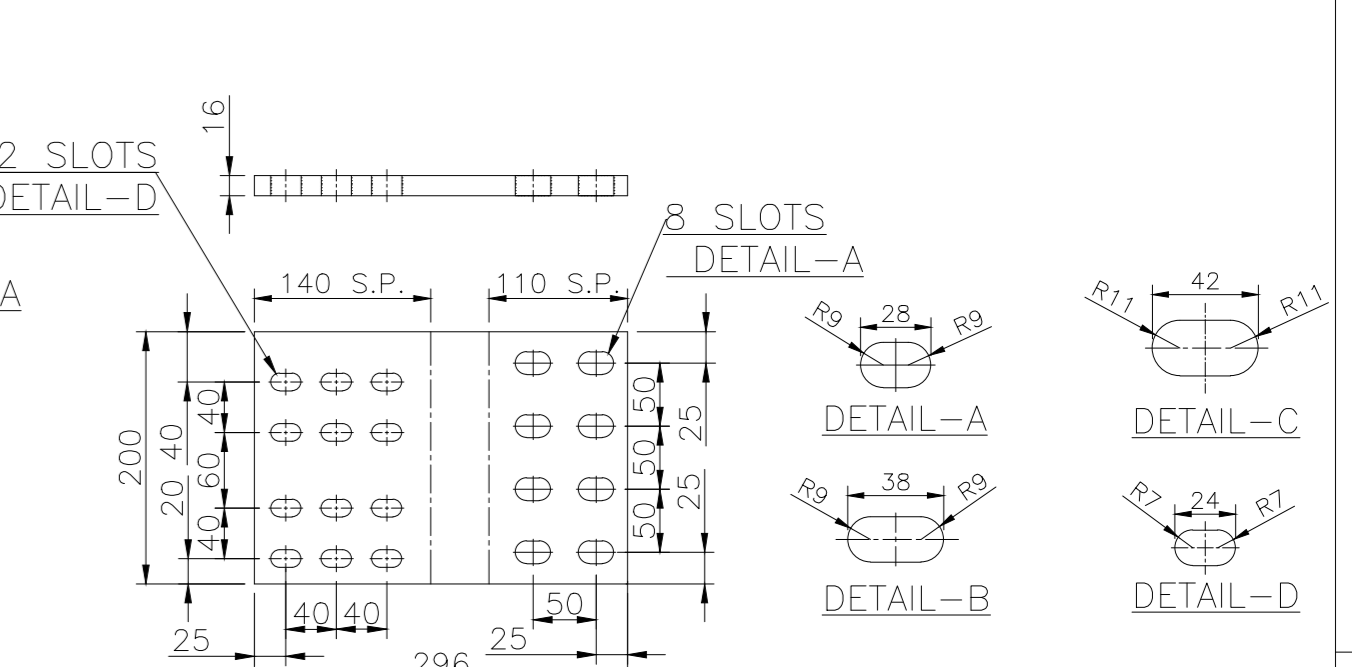
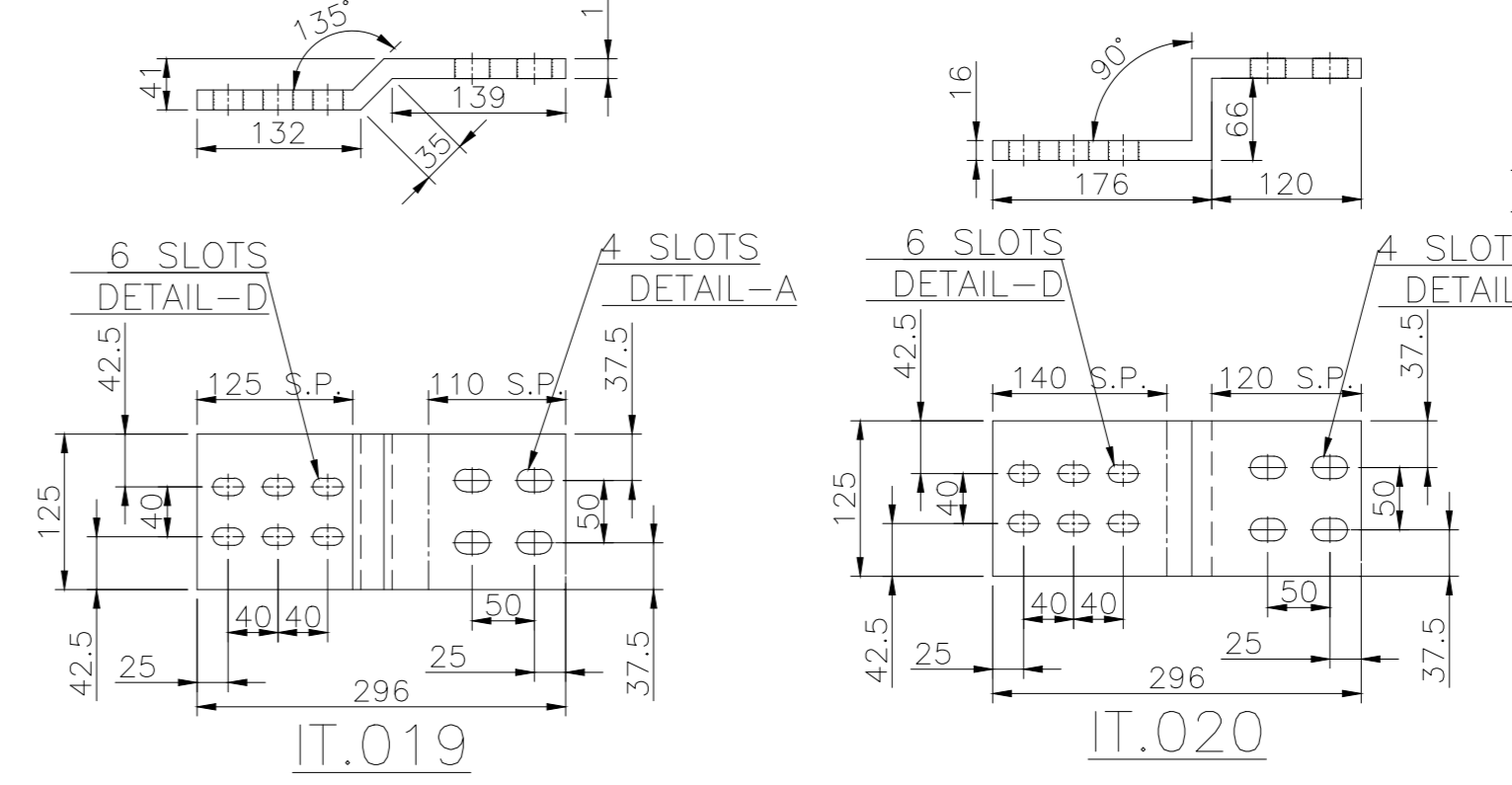
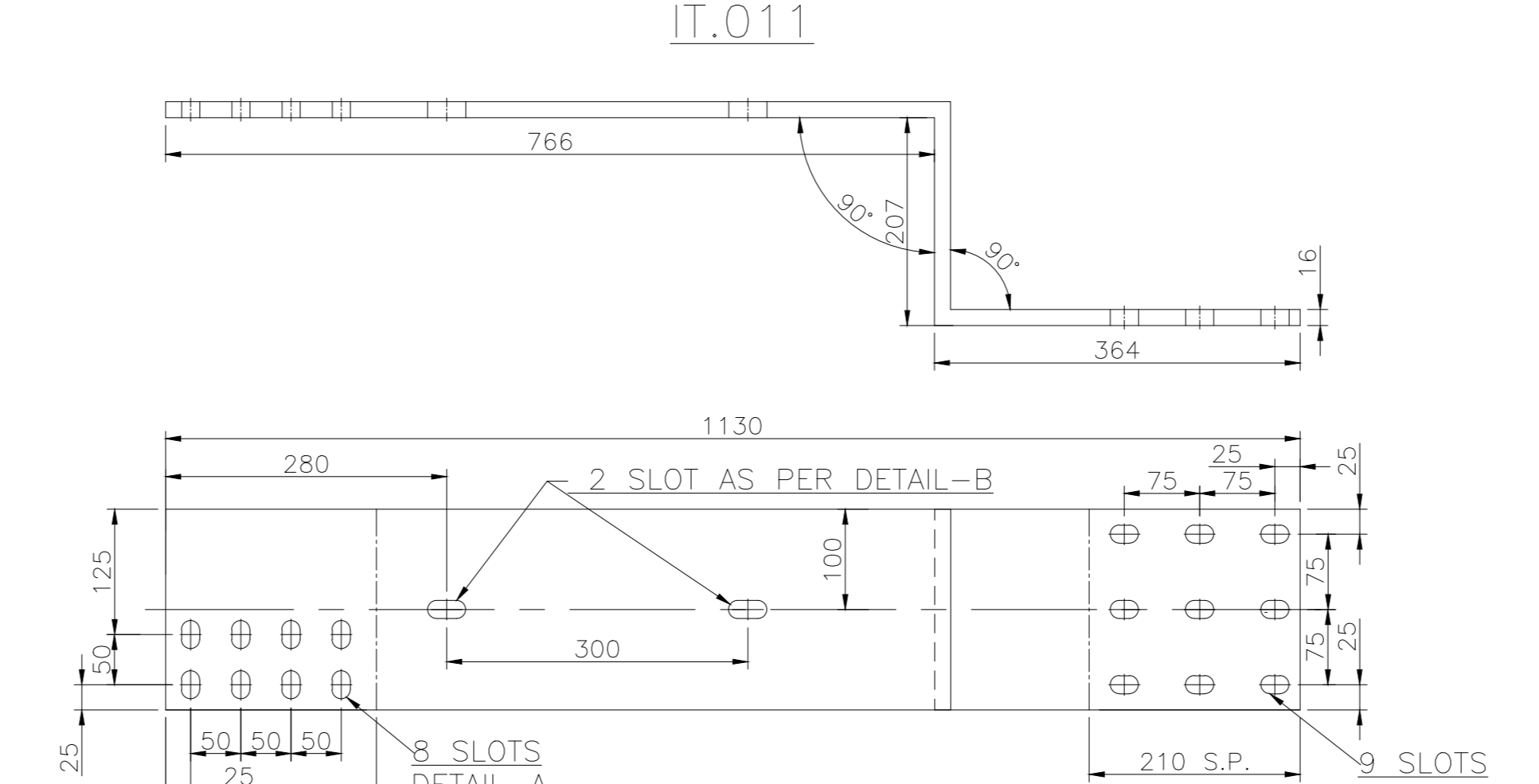
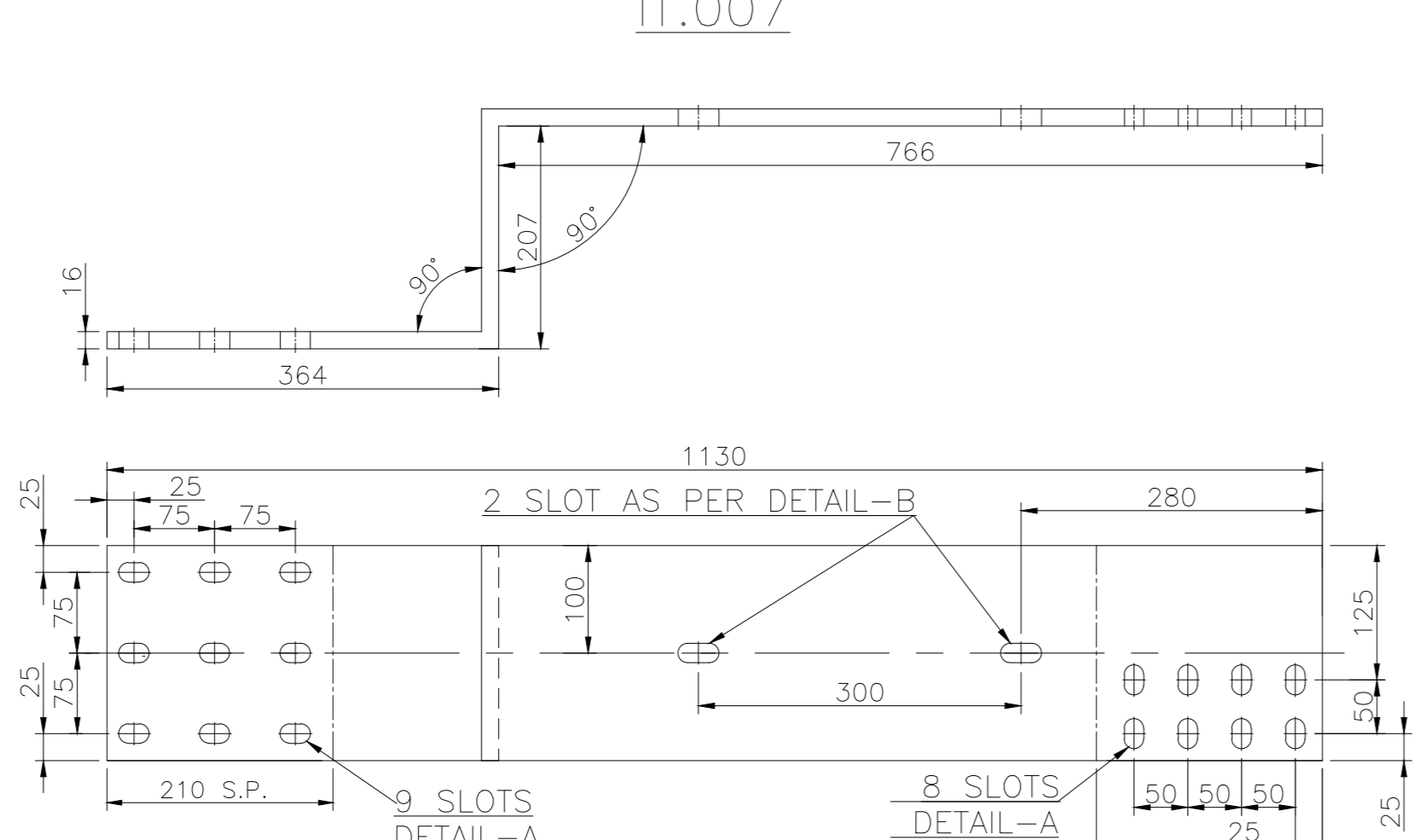
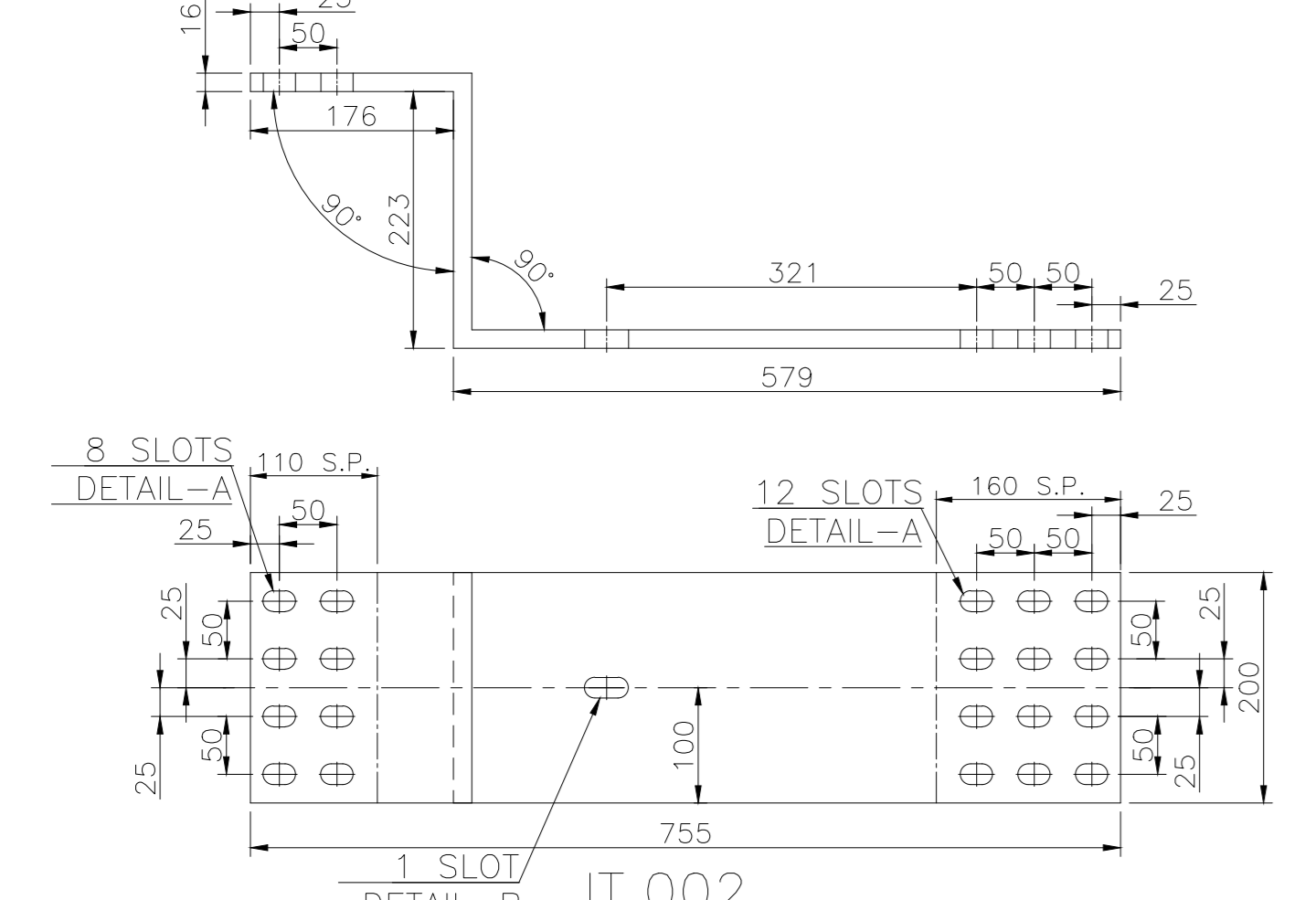
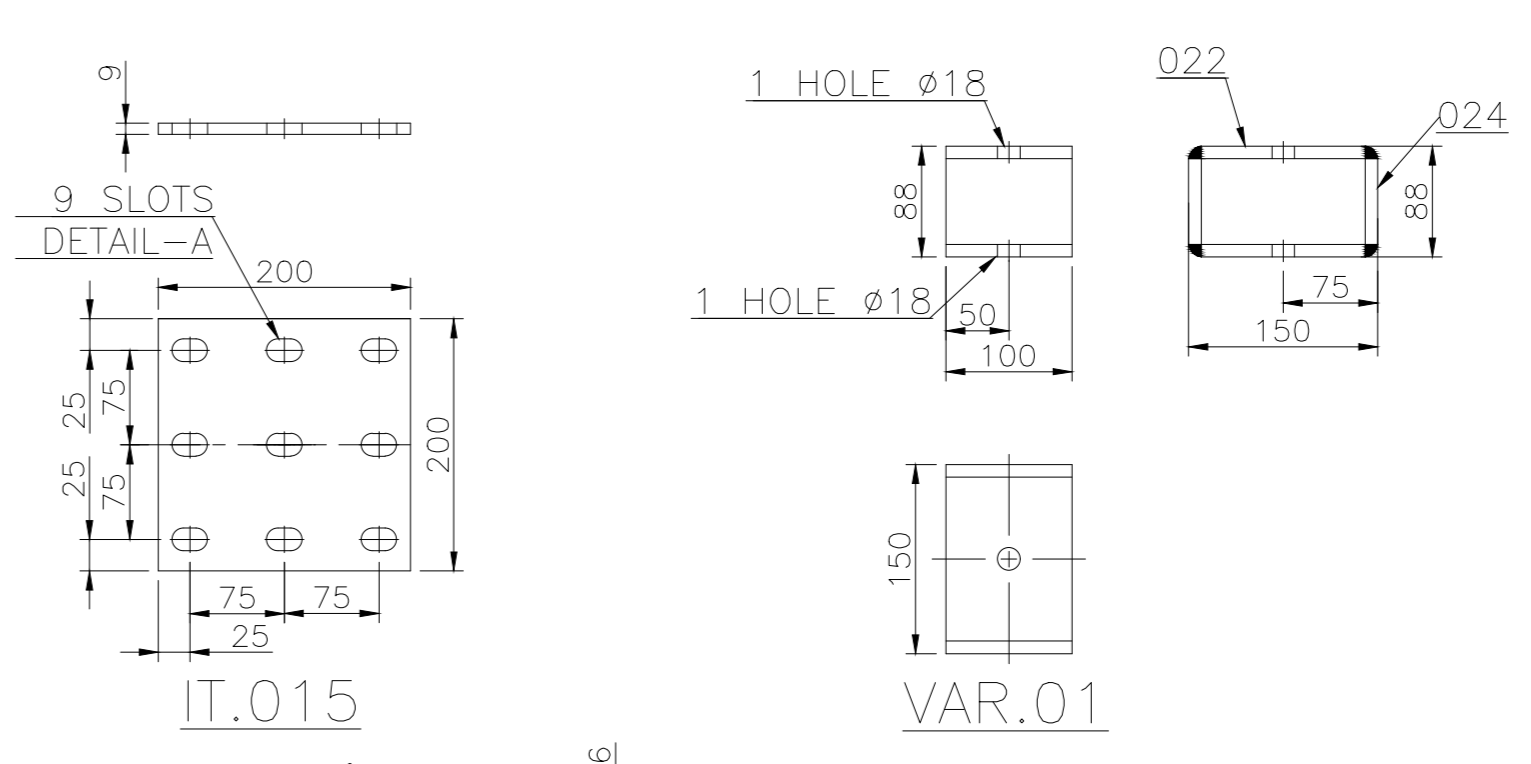
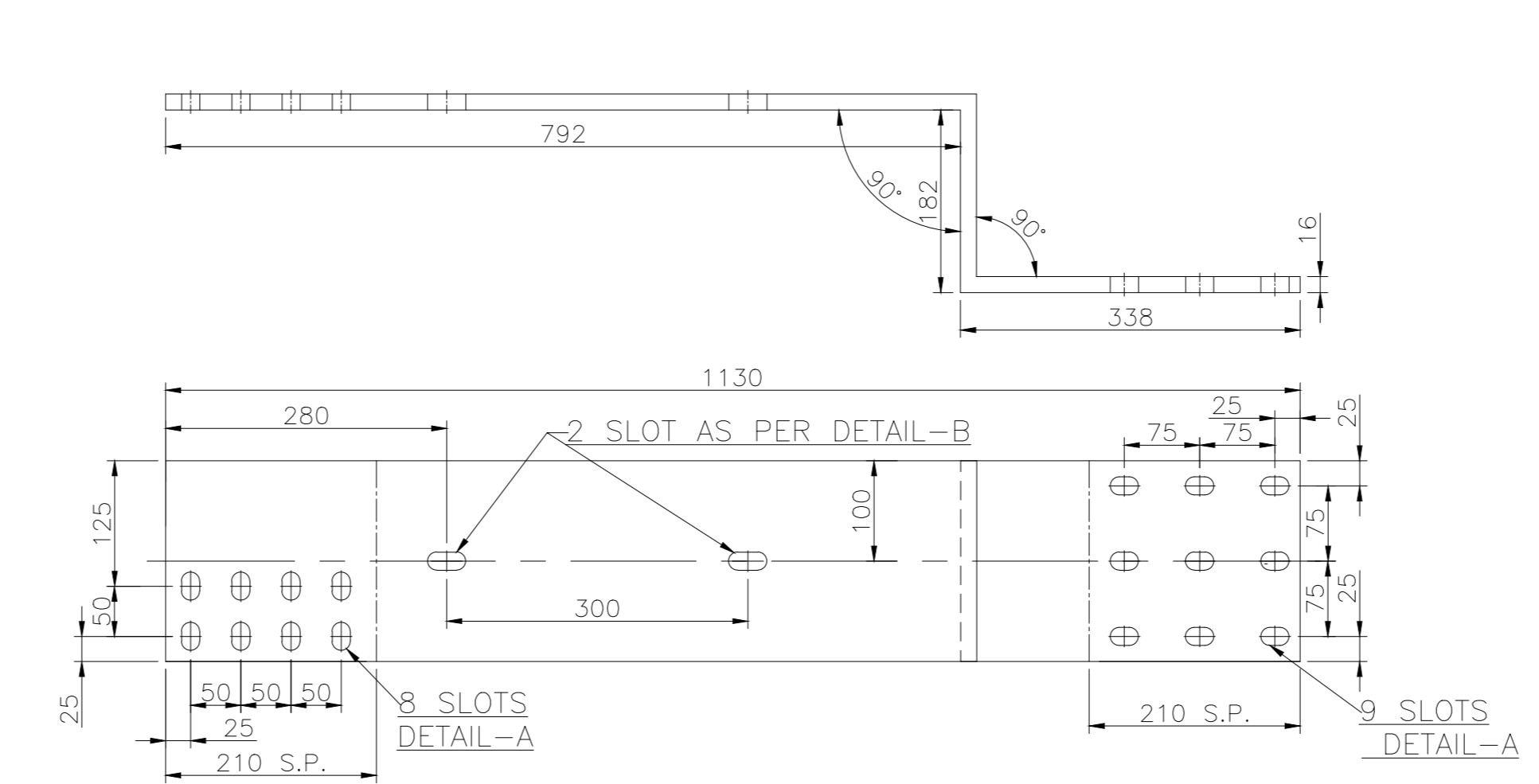
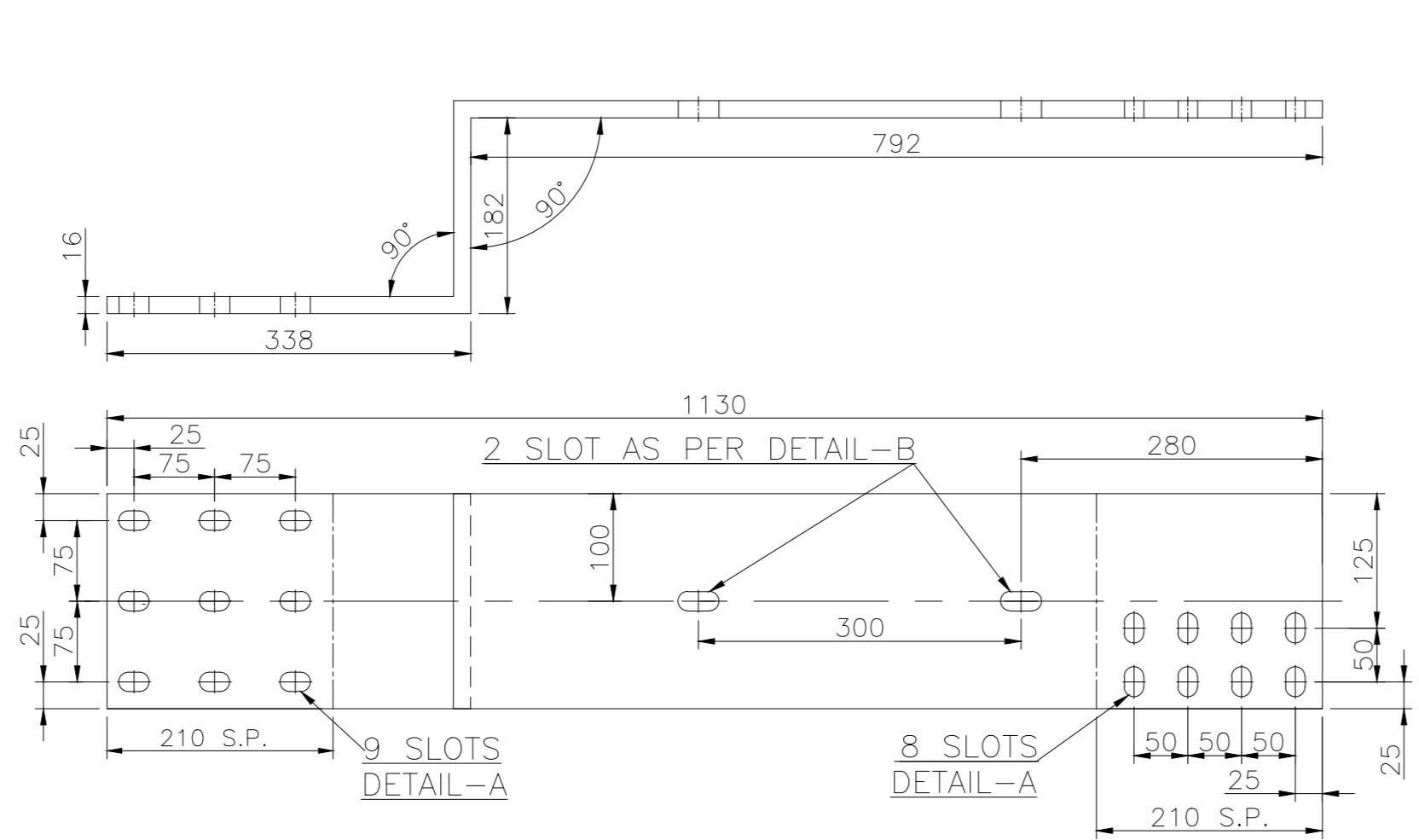
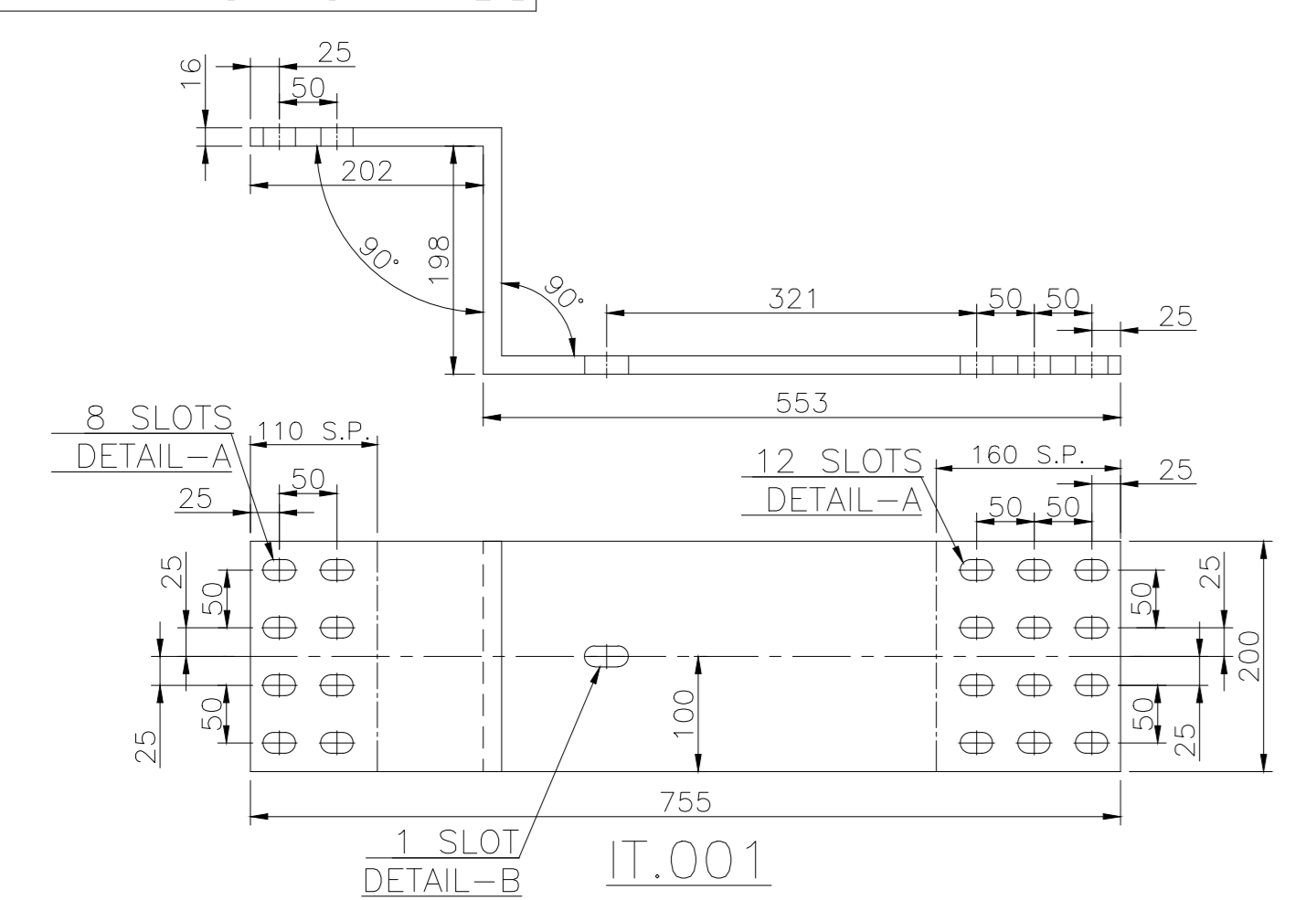
	CUSTOMER		PROJECT/PRODUCT				
	PHPA-II BHUTAN		6x170MW PUNATSANGCHHU-II HEP				
	BHARAT HEAVY ELECTRICALS LIMITED		DRN.	NAME	SIGN.	DATE	NO. OF VAR.
	RUDRAPUR		CKD.	PARUSH		25.01.2022	
			APPD.	A.N.		25.01.2022	
DEPTT.	UNTOL.DIM.GR.	SCALE	WEIGHT-KG	REF.TO ASSY.DRG.	IT.NO.	NO. OF ITEM	
	m						
TITLE			DRAWING NO.		REV.		
CU. CONNECTION FOR GEN. END (LINE & NEUTRAL SIDE)			21771600006		00		
			SHEET NO.- 01		NO.OF SHEETS- 02		SIZE- A2

CRITICAL NOTE-
 1.HARWARE SIZE SHALL BE STRICTLY AS PER ATTACHED BOQ.
 2.SLOTS DIRECTION IN ALL CU. CONNECTION SHALL BE STRICTLY AS PER DWG.

FIRST ANGLE PROJECTION

ALL DIMENSIONS IN MILLIMETER

COPYRIGHT & CONFIDENTIAL THE INFORMATION ON THIS DOCUMENT IS THE PROPERTY OF BHARAT HEAVY ELECTRICALS LIMITED. IT MUST NOT BE USED DIRECTLY OR INDIRECTLY IN ANY DERIVATIVE TO THE INTEREST OF THE COMPANY.



WEIGHT OF VAR.00 - 1.230 KGS.
 WEIGHT OF VAR.01 - 1.070 KGS.

ITEM NO.	QTY.	DESCRIPTION	UNIT	WT.				
026	1.012	AL. ALLOY PLATE 25TK X100X150LG.		1.012				
025	1.012	AL. ALLOY PLATE 25TK X100X150LG.		1.012				
024	0.184	AL. ALLOY PLATE 10TK X68X100LG.		0.184				
023	0.264	AL. ALLOY PLATE 10TK X98X100LG.		0.264				
022	0.351	AL. ALLOY PLATE 10TK X130X100LG.		0.351				
021	7.486	CU. FLAT 16TK X200X296LG.		7.486				
020	5.987	CU. FLAT 16TK X125X362LG.		5.987				
019	4.983	CU. FLAT 16TK X125X306LG.		4.983				
018	1.488	CU. FLAT 10TK X100X200LG.		1.488				
017	7.486	CU. FLAT 16TK X200X296LG.		7.486				
016	0.248	AL. FLAT 10TK X80X115LG.		0.248				
015	0.972	AL. ALLOY PLATE 9TK X200X200LG.		0.972				
014	38.857	CU. FLAT 16TK X200X1392LG.		38.857				
013	38.14	CU. FLAT 16TK X200X1367LG.		38.14				
012	37.28	CU. FLAT 16TK X200X1337LG.		37.28				
011	36.563	CU. FLAT 16TK X200X1312LG.		36.563				
010	38.857	CU. FLAT 16TK X200X1392LG.		38.857				
009	38.14	CU. FLAT 16TK X200X1367LG.		38.14				
008	37.28	CU. FLAT 16TK X200X1337LG.		37.28				
007	36.563	CU. FLAT 16TK X200X1312LG.		36.563				
006	20.345	CU. FLAT 16TK X200X755LG.		20.345				
005	20.345	CU. FLAT 16TK X200X755LG.		20.345				
004	28.378	CU. FLAT 16TK X200X1033LG.		28.378				
003	27.661	CU. FLAT 16TK X200X1008LG.		27.661				
002	26.801	CU. FLAT 16TK X200X978LG.		26.801				
001	26.084	CU. FLAT 16TK X200X953LG.		26.084				
VAR 01	VAR 00	S.P. AREA	ITEM NO.	DESCRIPTION	DRAWING NO.	IT.NO.	MATL.CODE	WT.

	CUSTOMER		PHPA-II BHUTAN		PROJECT/PRODUCT			6x170MW PUNATSANGCHHU-II HEP	
	BHARAT HEAVY ELECTRICALS LIMITED		RUDRAPUR		DRN.	ZAHID	SIGN.	DATE	NO. OF VAR.
DEPTT.	UNTOL.DIM.GR.	SCALE	WEIGHT-KG	APPD.	A.N.	REF.TO ASSY.DRG.	IT.NO.	NO.OF ITEM	
TITLE		CU. CONNECTION FOR GEN. END (LINE & NEUTRAL SIDE)			DRAWING NO.		REV.		
		SHEET NO.- 02		NO.OF SHEETS- 03		SIZE- A2			