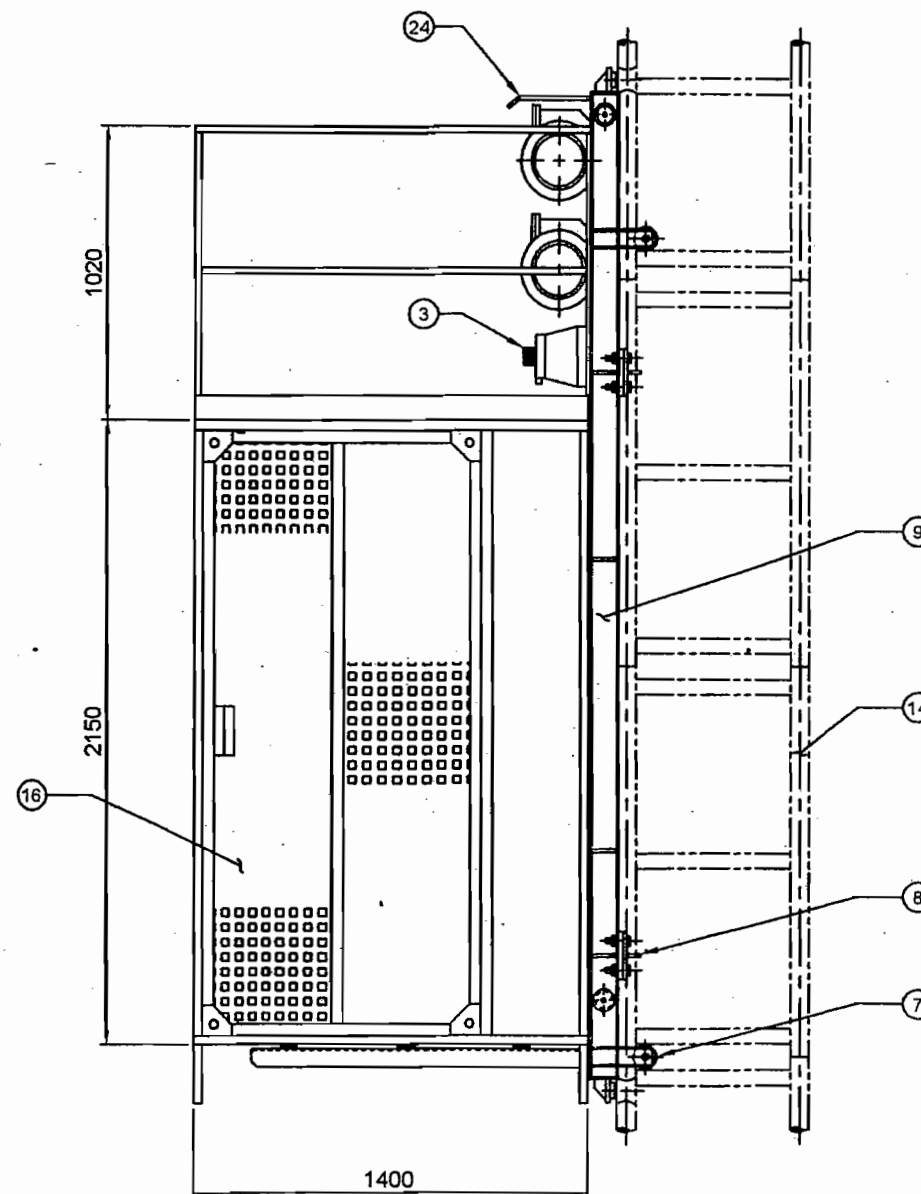


FRONT VIEW




SIDE VIEW

ITEM	DESCRIPTION	QTY/ ELEVATOR
25	LADDER (STD.)	01 No
24	CANOPY	01 No
23	TUBE LIGHT (230 V AC)	02 Nos
22	OSCILLING CAGE FAN	01 No
21	EMERGENCY LIGHT (12 VDC)	01 No
20	3-PHASE LIMIT SWITCH	01 No
19	LIMIT SWITCH (DOWN)	01 No
18	LIMIT SWITCH (UP)	01 No
17	BRAKE LIFTER	01 No
16	CAGE SLIDING DOOR (R.H. & L. H.)	01 No
15	TRAP DOOR	01 No
14	MAST	63 Nos
13	RACK	63 Nos
12	COUNTER ROLLER	04 Nos
11	PINION	02 Nos
10	CAGE	01 No
9	CAGE FRAME	01 No
8	SAFETY HOOK	04 Nos
7	GUIDE ROLLER	12 Nos
6	BRAKE MOTOR	02 Nos
5	SAFETY RAILING	01 No
4	CAGE ELECTRICAL PANEL	01 No
3	SAFETY DEVICE	01 No
2	CENTRIFUGAL BRAKE - (OVER SPEED GOVERNOR)	02 Nos
1	WORM REDUCTION GEAR	02 Nos

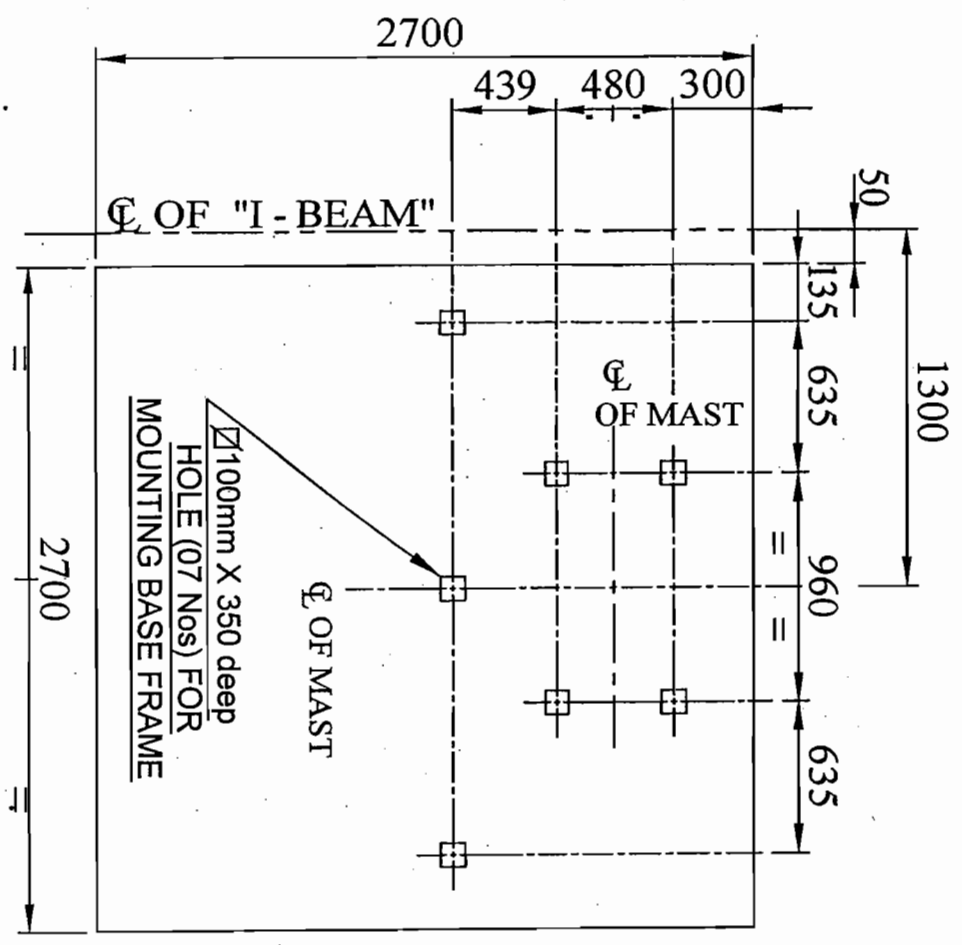
CUSTOMER :  **BHARAT HEAVY ELECTRICALS LIMITED.**
PSSR CHENNAI

PROJECT : KTPS, Simhadri, Raichur, Bellary, Vallur, North Chennai

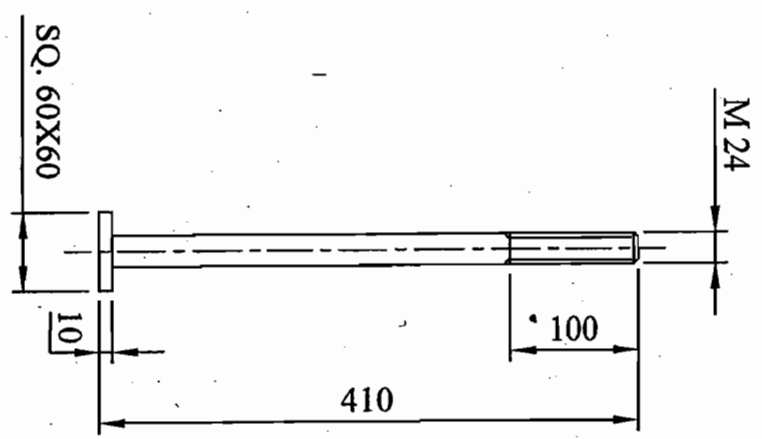
Surface condition	Title	Assy. no.
All dimensions are in m.m. unless specified	GENERAL ARRANGEMENT OF EQUIPMENT ON CAGE UNIT	Ref. dg. no.
		Scale N.T.S. Replace
Product	P. O. No.	Code no.
ELEVATOR	6HEL/PSSR/PUR/C-17201 Dtd-06/03/2008	

 MEKASTER ENGINEERING & EQUIPMENTS (P) LTD. 2507 GDC. HALOL	Drawn	H.M.D.	11/03/08	Drg. no. D - MEK - 280/08	Rev. no. 0
	Check	V.K.P.	12/03/08		
	Appr.	B.M.D.	12/03/08		

CUSTOMER : **BHARATI HEAVY ELECTRICALS LIMITED.**
 PROJECT : **KTPS, Simhadri, Raichur, Bellary, Vallur, North Chennai**
PSSR CHENNAI



REINFORCEMENT ROD ϕ 8 mm
 250 mm BETWEEN 100 mm Sq.mm.

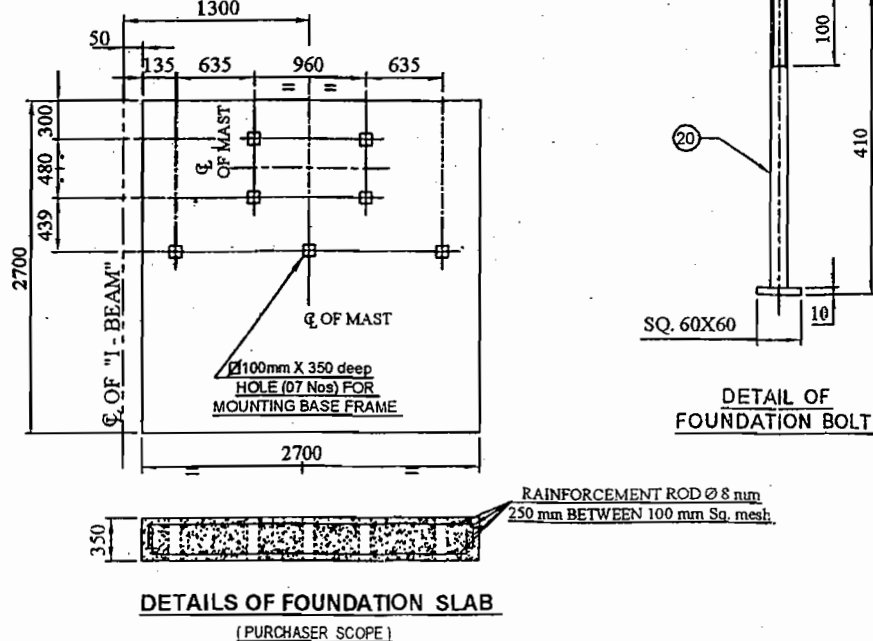
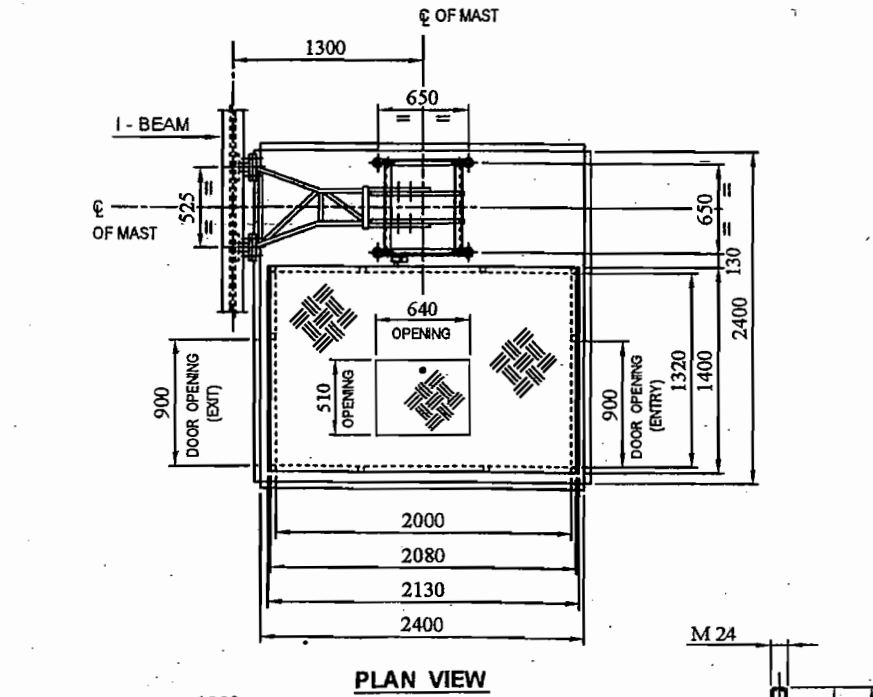
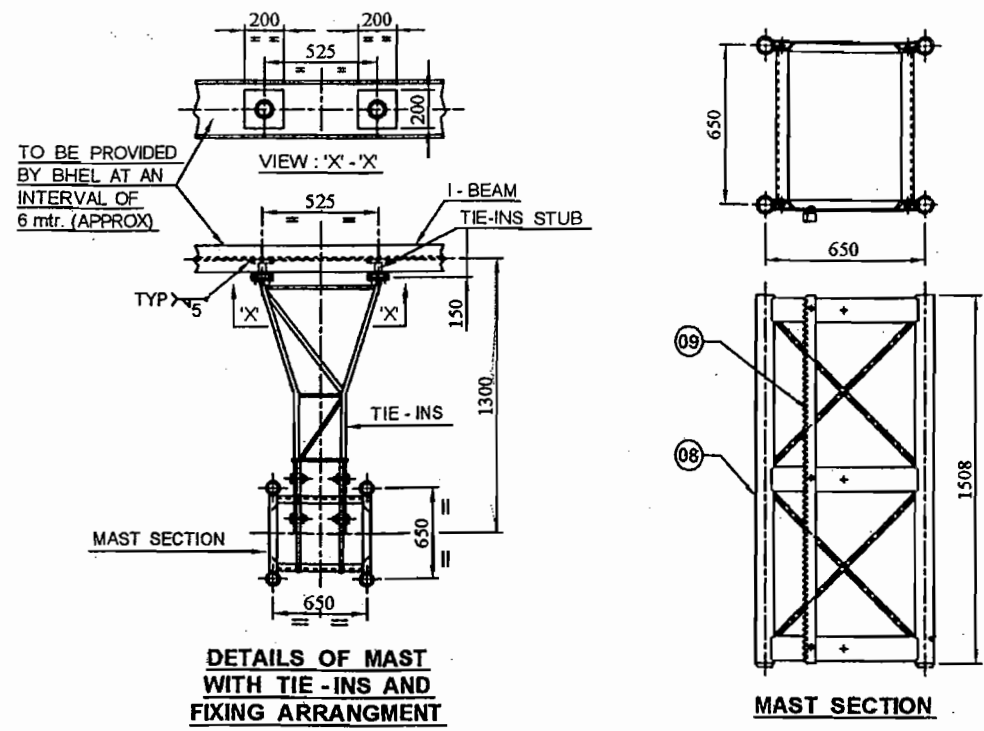
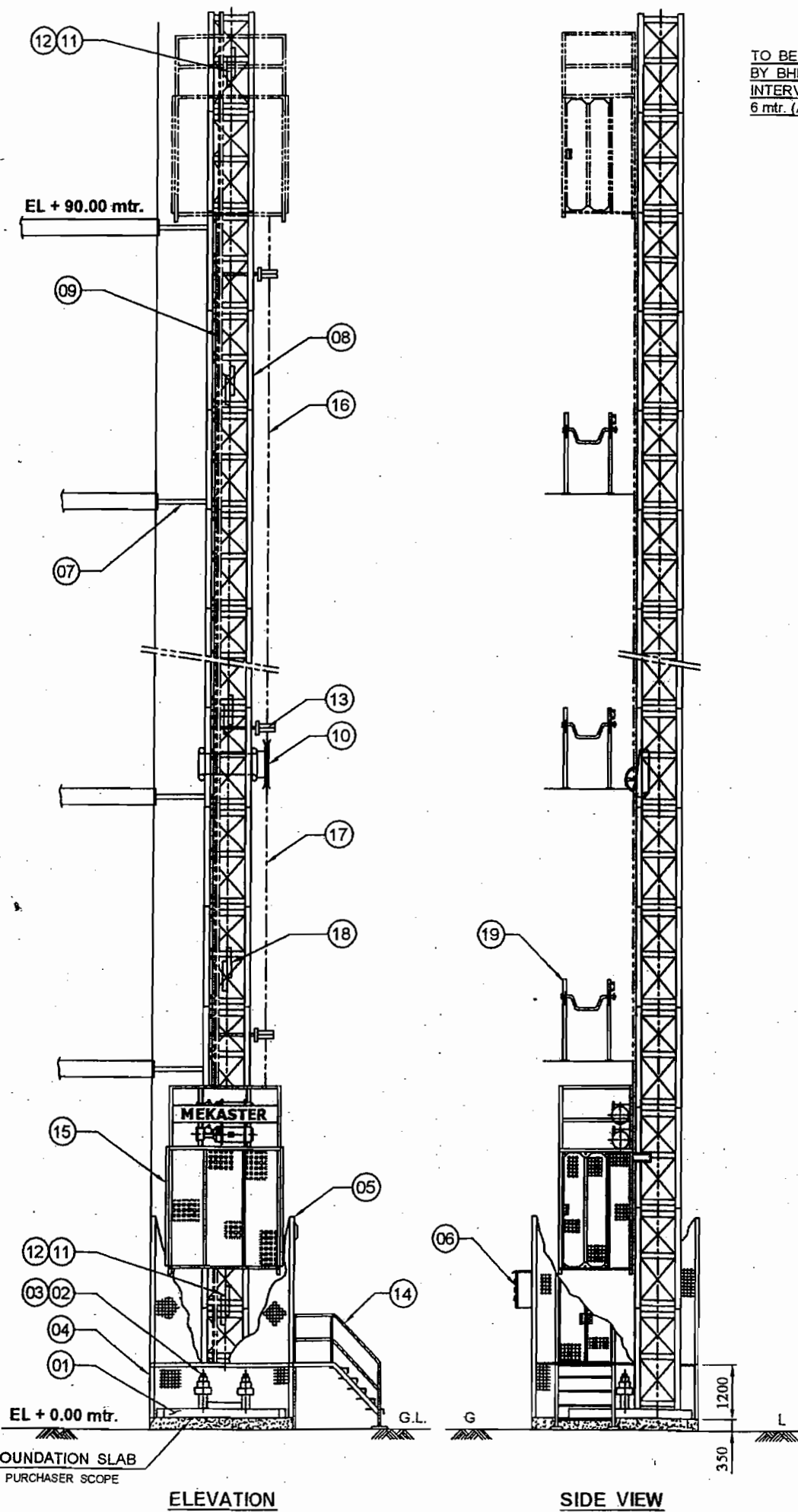


DETAIL OF FOUNDATION BOLT
 (MEKASTER SCOPE)

DETAILS OF FOUNDATION SLAB

All dimensions are in m.m.

(P CHASER SCOPE)



BRIEF DATA

TYPE OF ELEVATOR	: RACK & PINION TYPE
PAY LOAD CAPACITY	: 1000 Kg
CAGE INTERNAL SIZE (WXLXH)	: 2000 X 1320 X 2100 mm.
TRAVEL HEIGHT	: 90 mtr
NOS OF LANDINGS	: GL + 06 Nos
SPEED	: 28 mtr / min
MOTOR KW	: 2 X 9.2 KW
STARTING CURRENT MOTOR AT 415 V, 50 Hz	: 90 Amps
POWER SUPPLY FUSES (415V, 50 Hz)	: 63 Amps
CONTROL VOLTAGE	: 110 VAC
METHOD OF CONTROL	: SEMI AUTOMATIC CONTROL SYSTEM THROUGH TON FREQUENCY EQUIPMENT.
QTY. OF ELEVATOR	: 06 Nos (01 NO-KTPS, 01 NO-VALLUR, 01 NO-SIMHADRI, 01 NO-BELLARY, 01 NO-RAICHUR, 01 NO-NORTH CHENNAI)

ITEM	DESCRIPTION	QTY/ELEVATOR
21	FOUNDATION BOLT	07
19	LANDING BAR WITH CALLING P.B.STATION	06
18	LANDING CAM	05
17	FIXED POWER CABLE	60 mtr
16	TRAILING CABLE	60 mtr
15	CAGE UNIT	01
14	STAIR CASE	01
13	CABLE GUIDE	15
12	LIMIT CAM	02
11	3 - PHASE CAM	02
10	CABLE TROLLEY	01
09	RACK	63
08	MAST	63
07	TIE - INS WITH STUB	15
06	BASE PANEL	01
05	LANDING ENCLOSURE WITH DOOR	01
04	GROUND ENCLOSURE	01
03	BUFFER SPRING	02
02	BUFFER BRACKET	01
01	BASE FRAME	01

CUSTOMER: BHARAT HEAVY ELECTRICALS LIMITED. PSSR CHENNAI

PROJECT: KTPS, Simhadri, Raichur, Bellary, Vallur, North Chennai

Surface condition	Title	Assy. no.
All dimensions are in m.m. unless specified	GENERAL ARRANGEMENT OF RACK & PINION ELEVATOR	Ref. dng. no.
Product	P. O. No.	Scale N.T.S.
ELEVATOR	BHEL / PSSR / PUR / C - 17201 Dtd - 06 / 03 / 2008	Replace
Code no.		

MEKASTER ENGINEERING & EQUIPMENTS (P) LTD. 2507 GIDC, HALOL

Drawn	H.M.D.	11/03/08	Drg. no.	Rev. no.
Check	V.K.P.	12/03/08	D - MEK - 279/08	0