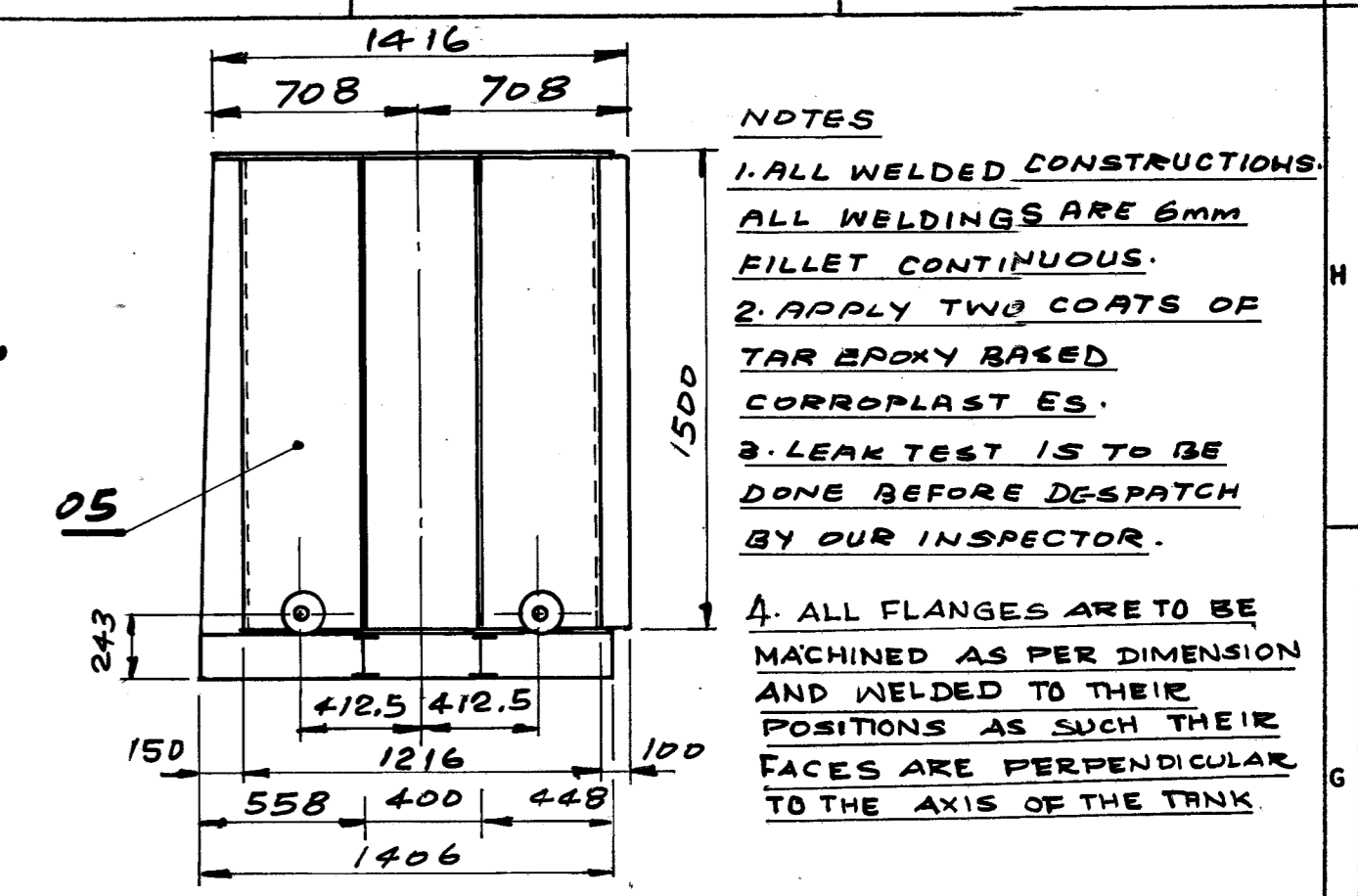
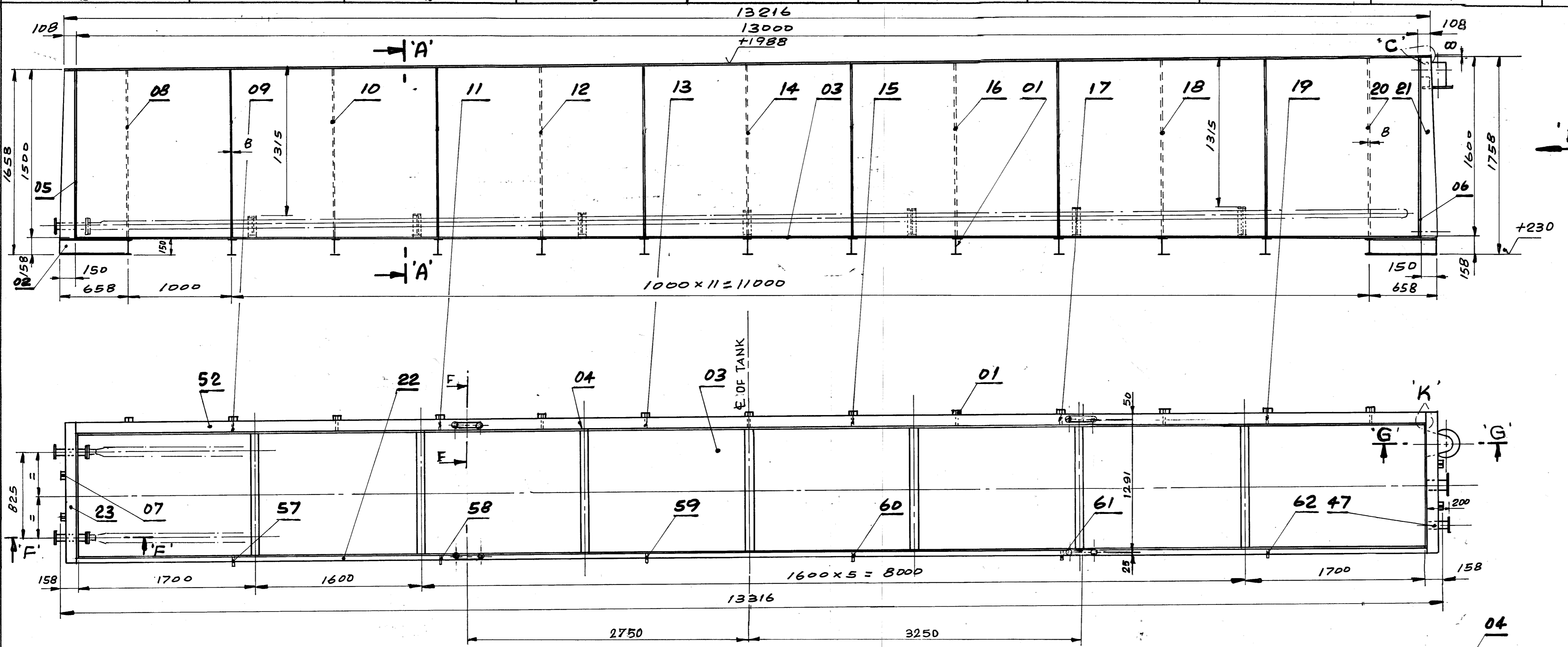


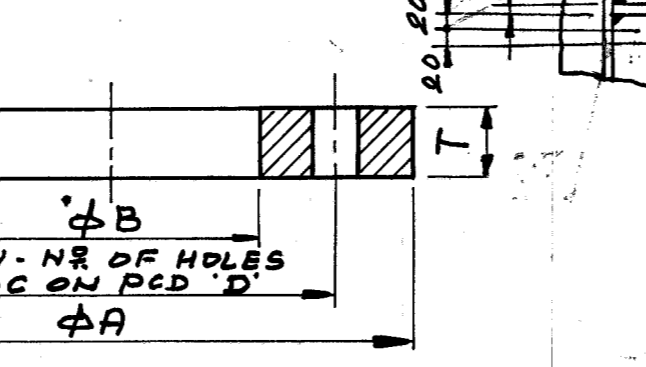
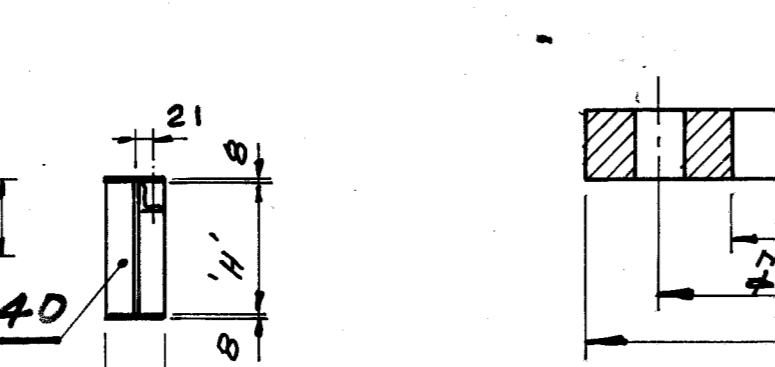
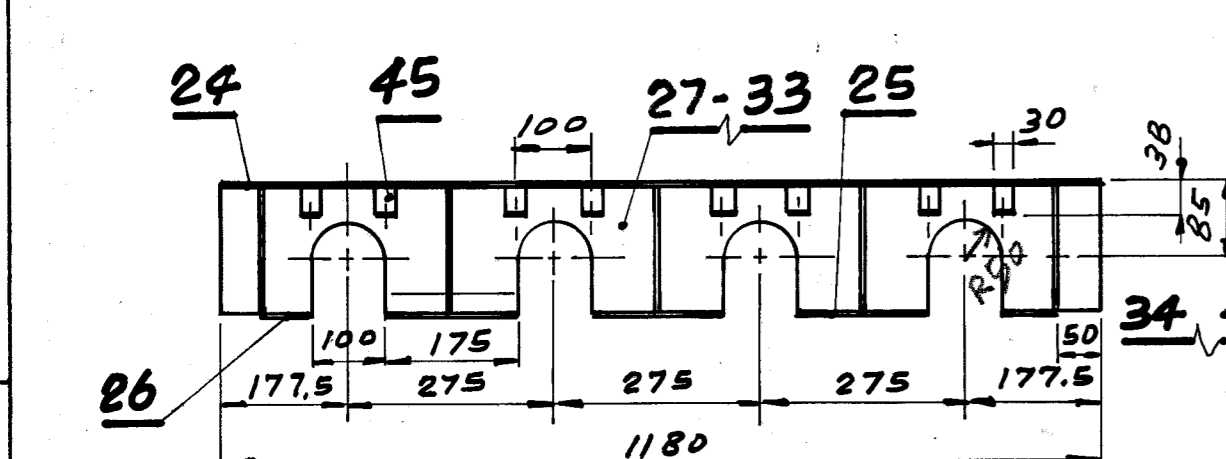
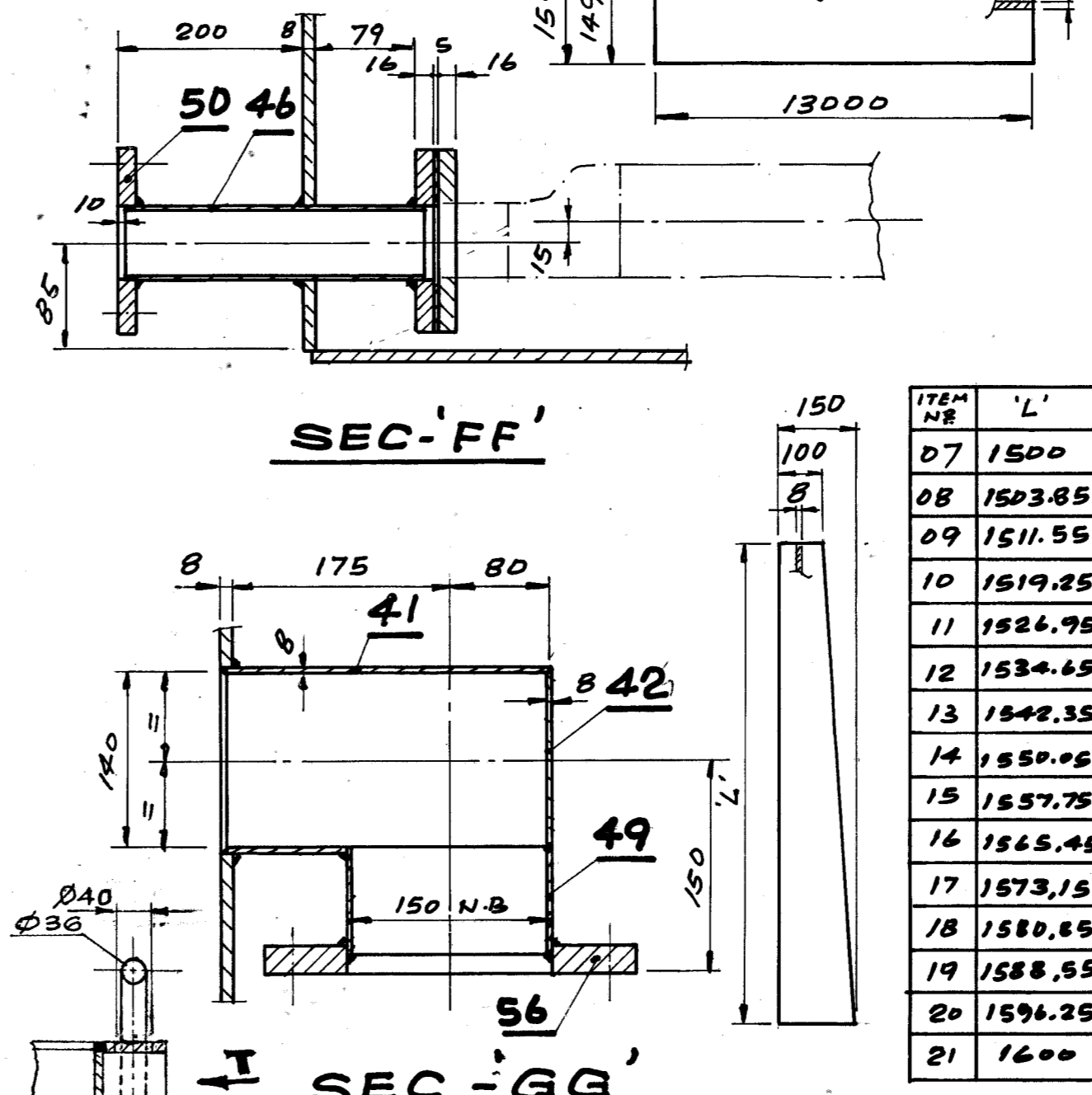
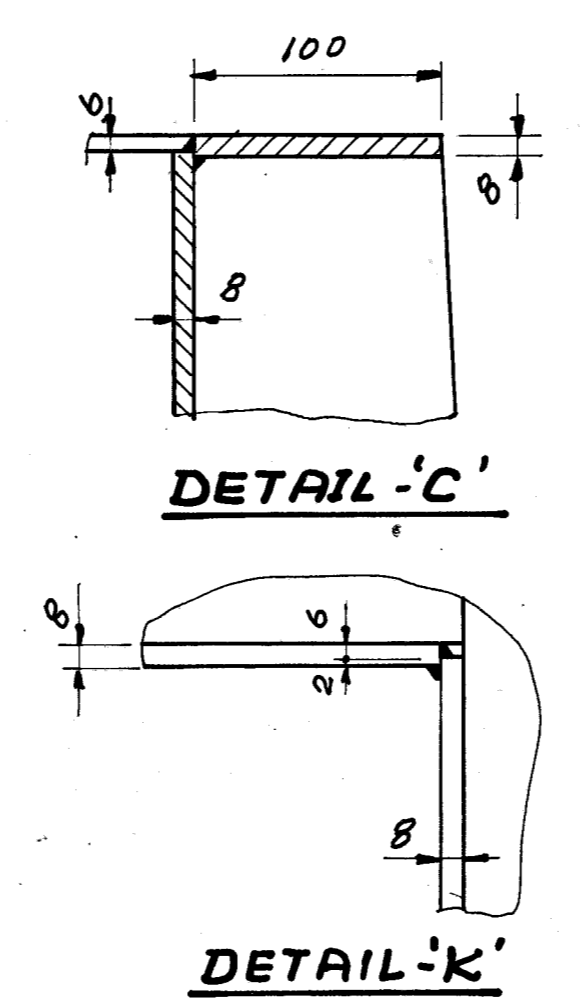
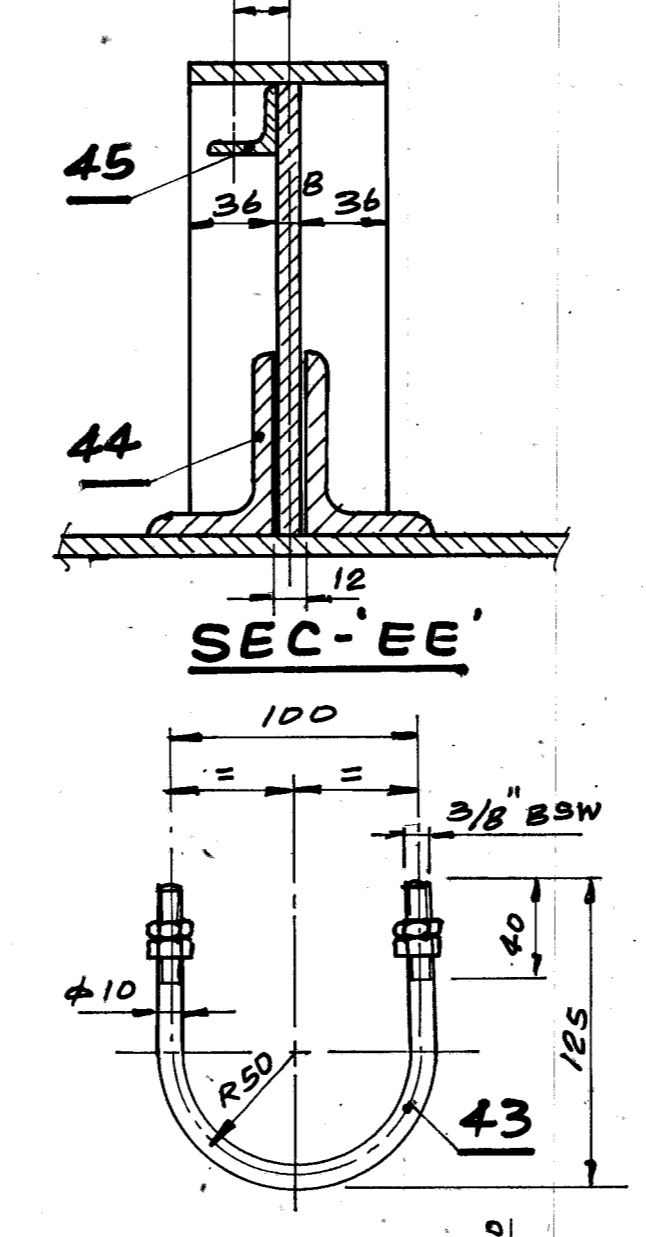
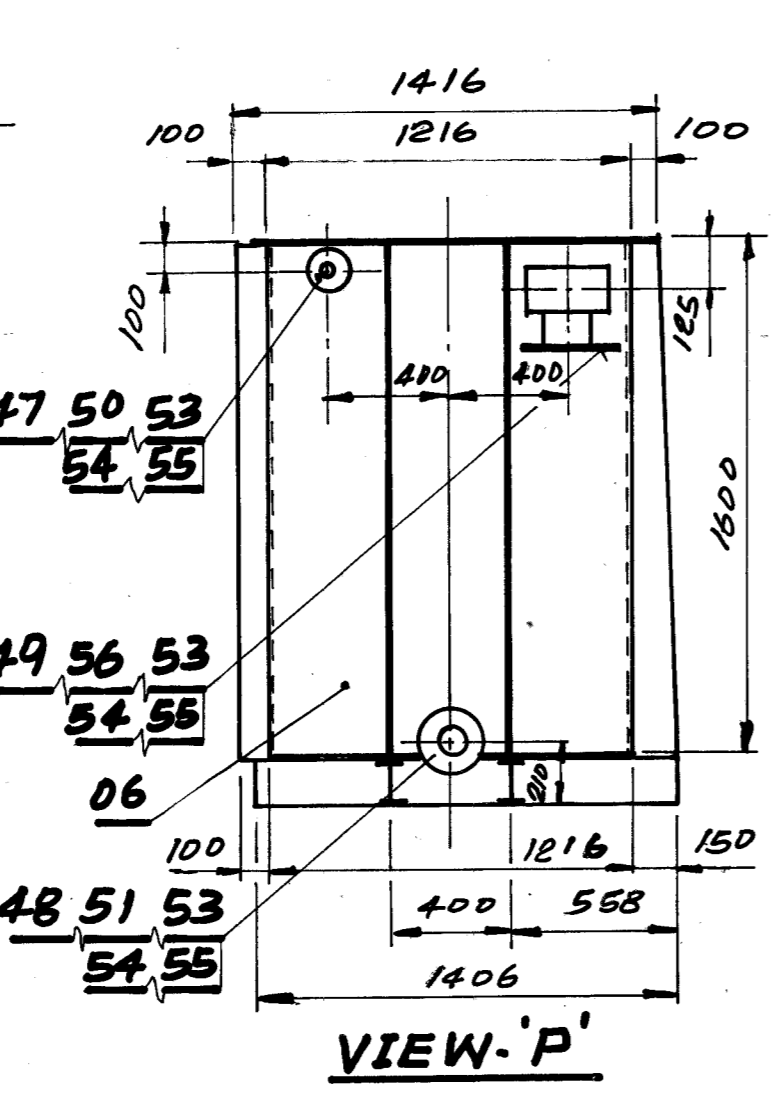
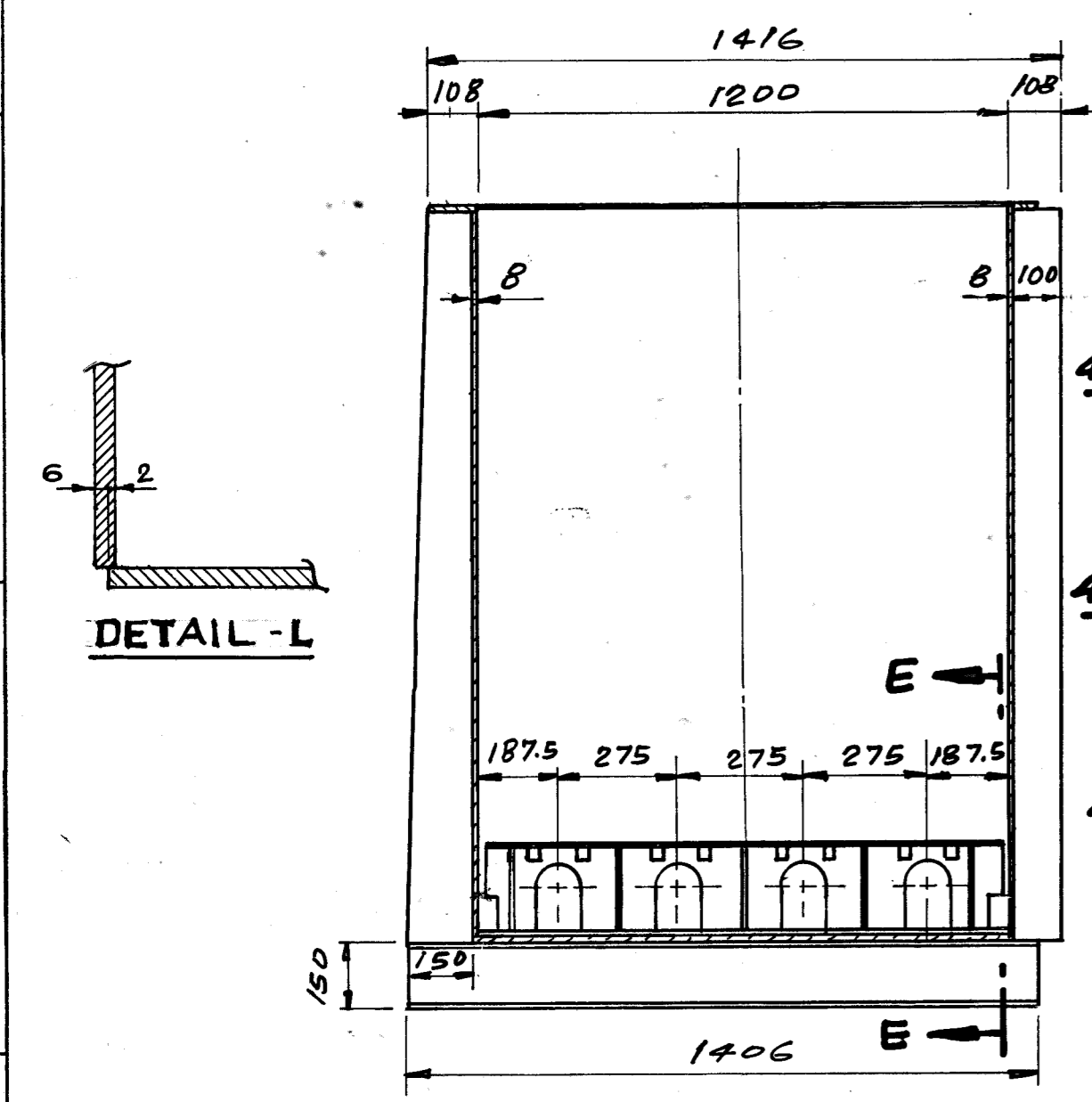
CAUTION: THE INFORMATION ON THIS DOCUMENT IS THE PROPERTY OF BHARAT HEAVY ELECTRICALS LTD. ANY UNAUTHORIZED DISCLOSURE OR REPRODUCTION IN ANY MANNER IS STRICTLY PROHIBITED.



NOTES

1. ALL WELDED CONSTRUCTIONS. ALL WELDINGS ARE 6mm FILLET CONTINUOUS.
2. APPLY TWO COATS OF TAR EPDMY BASED CORROPLAST ES.
3. LEAK TEST IS TO BE DONE BEFORE DESPATCH BY OUR INSPECTOR.
4. ALL FLANGES ARE TO BE MACHINED AS PER DIMENSION AND WELDED TO THEIR POSITIONS AS SUCH THEIR FACES ARE PERPENDICULAR TO THE AXIS OF THE TANK

ITEM NO.	DESCRIPTION	MATL.	QTY.	UNIT.	WT.
62	PL. 8 1588.55 x 100	Fe 410 WA IS:2062	1		9.97
61	PL. 8 1573.15 x 100		1		9.88
60	PL. 8 1557.75 x 100		1		9.78
59	PL. 8 1542.35 x 100		1		9.68
58	PL. 8 1526.95 x 100		1		9.59
57	PL. 8 1511.55 x 100		1		9.49
56	PL. 18 279.4	Fe 410 WA IS:2062	1		5.46
55	SPRING WASHER R16	IS: 3063	16		0.008
54	HEX. NUT M16	IS: 1363	16		0.032
53	HEX. BOLT M16x60L	IS: 1364	16		0.11
52	PL. 8 13016 x 100	Fe 410 WA IS:2062	1		81.74
51	PL. 18 215.9	Fe 410 WA IS:2062	1		3.6
50	PL. 16 165.1	Fe 410 WA IS:2062	4		1.71
49	TUBE 150N.B 5.4t 72L	IS: 1161	1		1.53
48	TUBE 100N.B 5.4t 200L	IS: 1161	1		2.9
47	TUBE 50N.B 4.68t 200L	IS: 1161	1		1.23
46	TUBE 50N.B 4.68t 282L	IS: 1161	2		1.74
45	ISA 30x30x5t 30L	Fe 410 WA IS:2062	56		0.066
44	ISA 50x50x5t 50L		4X		70.19
43	ROD 10x300L		28		0.18
42	PL. 8 612 x 140		1		5.35
41	PL. 8 258 x 250		2		3.5
40	PL. 8 256 x 36		10		0.58
39	PL. 8 244 x 36		10		0.55
38	PL. 8 231 x 36		10		0.52
37	PL. 8 219 x 36		10		0.49
36	PL. 8 207 x 36		10		0.47
35	PL. 8 194 x 36		10		0.44
34	PL. 8 182 x 36		10		0.41
33	PL. 8 1180 x 256		1		18.97
32	PL. 8 1180 x 244		1		18.08
31	PL. 8 1180 x 231		1		17.12
30	PL. 8 1180 x 219		1		16.23
29	PL. 8 1180 x 207		1		15.34
28	PL. 8 1180 x 194		1		14.38
27	PL. 8 1180 x 182		1		13.49
26	PL. 8 80 x 77.5		14		0.39
25	PL. 8 175 x 80		21		0.88
24	PL. 8 1180 x 80		7		5.92
23	PL. 8 1366 x 100		2		8.58
22	PL. 8 13016 x 50		1		40.87
21	PL. 8 1600 x 150		2		12.7
20	PL. 8 1596.25 x 150		1		12.67
19	PL. 8 1588.55 x 150		1		12.59
18	PL. 8 1580.85 x 150		1		12.52
17	PL. 8 1573.15 x 150		1		12.45
16	PL. 8 1565.45 x 150		1		12.38
15	PL. 8 1557.75 x 150		1		12.3
14	PL. 8 1550.05 x 150		1		12.23
13	PL. 8 1542.35 x 150		1		12.16
12	PL. 8 1534.65 x 150		1		12.09
11	PL. 8 1526.95 x 150		1		12.01
10	PL. 8 1519.25 x 150		1		11.94
09	PL. 8 1511.55 x 150		1		11.87
08	PL. 8 1503.85 x 150		1		11.8
07	PL. 8 1500 x 150		2		11.77
06	PL. 8 1594 x 1204		1		120.52
05	PL. 8 1494 x 1204		1		112.96
04	PL. 8 13000 x 1594		2		1260.5
03	PL. 8 13004 x 1204		1		983.2
02	ISM 150 x 655.8L		4		9.76
01	ISM 150 x 1406L	Fe 410 WA IS:2062	13		20.94



ITEM NO.	'H'	ITEM NO.	'H'
27	182	34	182
28	194	35	194
29	207	36	207
30	219	37	219
31	231	38	231
32	244	39	244
33	256	40	256

ITEM NO.	φA	φB	φC	RCD D	T	N
50	165.1	80.3	16.5	127	14.2	4
51	215.9	114.3	16.5	177.8	17.45	4
56	279.4	165.1	16.5	224.95	17.45	8

ITEM NO.	DESCRIPTION	MATERIAL	QTY.	UNIT WT.
66	ROD 10x36x642L	Fe 410 WA IS:2062	4	5.1
65	PL. 10 100 x 80	Fe 410 WA IS:2062	8	0.6
64	PL. 10 510 x 100	Fe 410 WA IS:2062	4	4.0
63	PL. 20 360 x 90	Fe 410 WA IS:2062	4	5.1

ITEM NO. DESCRIPTION MATL. QTY. UNIT. WT.

EQPT: PICKLING PLANT.

Bharat Heavy Electricals Ltd., DRN. NAME: **SEAMLESS STEEL TUBE PLANT** DRN. NO. 4-7-91
 TRICHIRAPALLI - 620 014 CHD. APPD. DATE: 6-7-91

DEPT. GRADE OF UNTOOL DIM. SCALE: 1:25 WEIGHT (kg) REF TO ASSY/OLD DRG. ITEM NO.
 CODE C/M F 1:5 4-779.6 P. 701-01-08

LUBRICATION TANK (TANK No. 12) DRAWING NO. U 01 1-7-2600-01396 01

