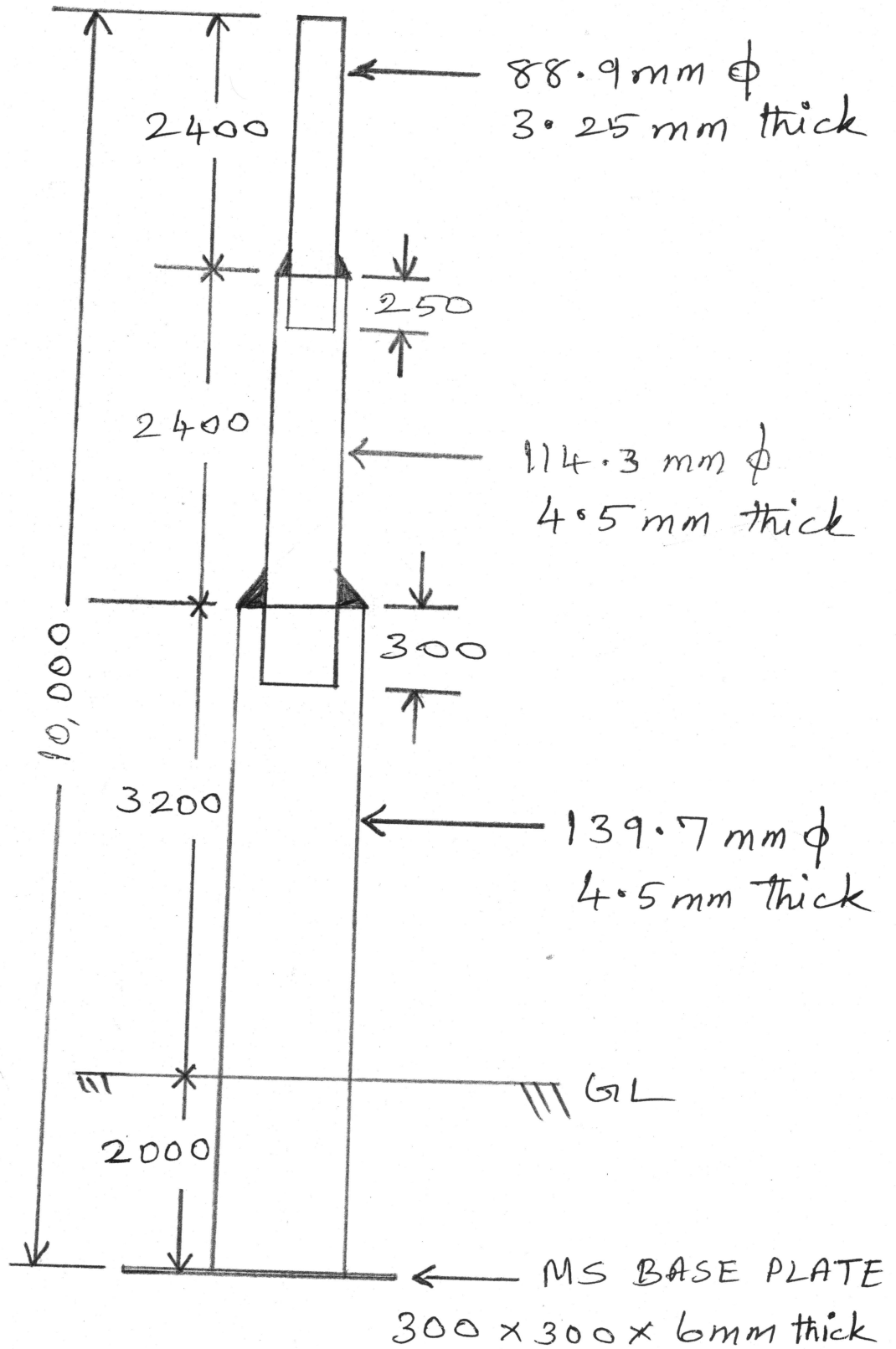


10M MS Tubular pole Drawing
As per IS 2713 (Part I to III) 1980
Dwg No: ES: M&S: 01

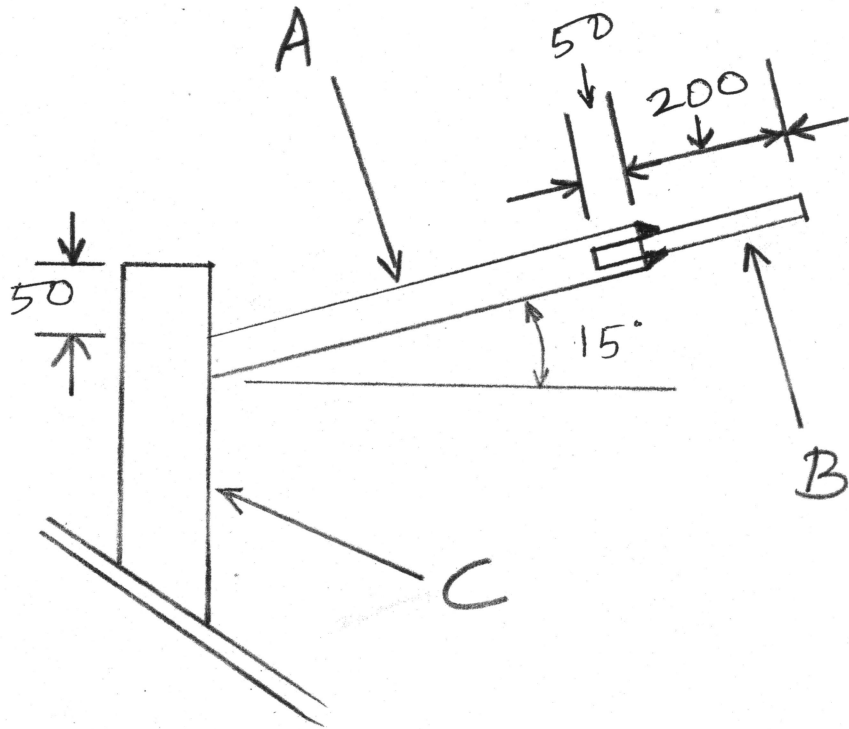


S. MUTHUKUMAR
Sr. Addl. Engineer - I
Electrical Services / M&S
BHEL / BAP / RANIPET - 632 406.

Pipe Bracket Drawing

[To fix Road Light fitting]

Drg No: ES: M&S: 02



Note:

1. A - MS pipe - 76.9ϕ , 3.25 mm thick, 1000 mm length
2. B - MS pipe - $50 \text{ mm } \phi$, 3.25 mm thick, 200 mm length
3. C - Existing $88.9 \text{ mm } \phi$, 3.25 mm thick, MS pole.

S. Muthu

S. MUTHUKUMAR
Sr. Addl. Engineer - I
Electrical Services / M&S
BHEL / BAP / RANIPET - 632 406.