

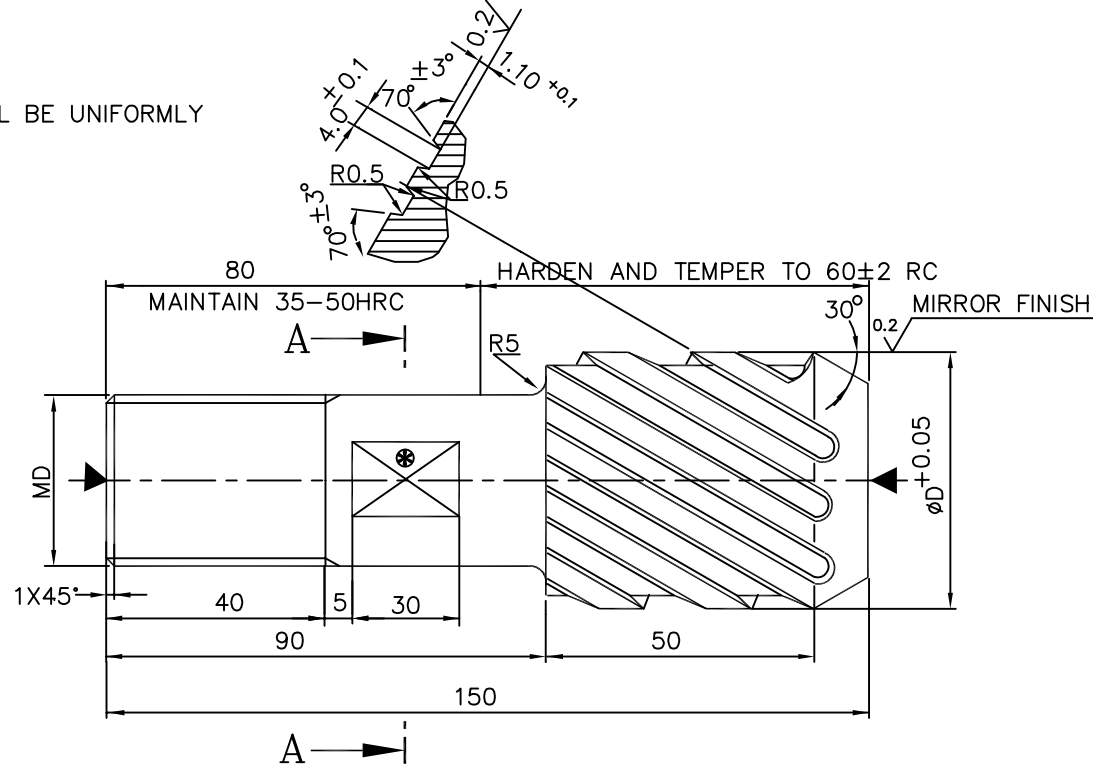
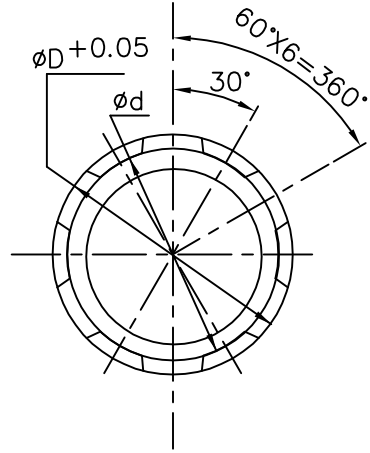
ALL DIMENSIONS ARE IN MILLIMETERS

THE INFORMATION ON THIS DOCUMENT IS THE PROPERTY OF BHARAT HEAVY ELECTRICALS LTD
IT MUST NOT BE USED DIRECTLY OR INDIRECTLY IN ANYWAY DETERMINAL TO INTEREST OF THE COMPANY

CAUTION:

NOTE:

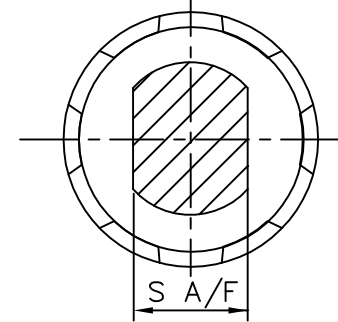
THE WIDTH 4.0MM AND DEPTH 1.10MM SHALL BE UNIFORMLY MAINTAINED IN ALL THE SIX GROOVES



1.6 / 0.2 /

DEVIATIONS OF UNTOLERANCED DIMENSIONS TO BE ASPER IS: 2102-1969 MEDIUM

SECTION-AA



NOTE TO SUPPLIER:

- 01) MATERIAL CHEMISTRY-NABL ACCREDITED LAB TEST CERTIFICATE IS TO BE PROVIDED
- 02) HARDNESS & HEAT TREATMENT CERTIFICATE OBTAINED FROM THE HEAT TREATERS IS TO BE PROVIDED
- 03) THREADED AREA TO BE PROPERLY PROTECTED, COATED WITH RUST PREVENTIVE OIL AND PACKED TO AVOID DAMAGES DURING TRANSIT
- 04) ⊗ MARK MATERIAL CODE No., FIRMS NAME, PO No.

DATA:

No OF RIBS : 6
HELIX ANGLE : 30°
LEAD : REFER TABLE
HELIX : RIGHTHAND HELIX

SL No.	MD	D	d	LEAD	TUBE SIZE	MATERIAL CODE No.	S
01	M24	28.7	26.5	155.02	44.45X7.21	69 23 99 501 7	22

MATERIAL: HIGH CARBON HIGH CHROMIUM COLDWORKING DIESTEEL

ANYONE OF THE FOLLOWING MATERIAL SHALL BE USED

SL. No.	MATERIAL	CHEMICAL COMPOSITION							
		C	Si	Mn	Cr	Mo	V	P	S
01	XT215Cr12	2.0	0.10	0.25	11.0	Max.0.80	Max.0.80	Max.0.035	Max.0.035
	IS: 3748-1990	2.3	0.35	0.50	13.0				
02	XT210Cr12	1.9	0.2	0.2	11.0	-	-	Max.0.035	Max.0.035
	DIN-1.2080	2.2	0.4	0.4	12.0				

<p>Bharat Heavy Electricals Ltd SEAMLESS STEEL TUBE PLANT TIRUCHIRAPALLI - 620014</p>		DRN	NAME KHURSHID AHMED	SIGNATURE	DATE 06.08.22
		CHD	P.ARUNKUMAR		08.08.22
		APPD	G.VIGNESH		08.08.22
DEPT TE	GRADE OF UNTOL. DIM C/M/F	SCALE N T S	WEIGHT(kg) 2.10	REF TO ASSY DWG NO OO.ST.221.99.025	ITEM NO 10
CODE				REF TO OLD DWG NO 30.ST.221.23.442	
TITLE RIFLE PLUG D28.7MM			CARD CODE U 01	DRAWING NO : 30.ST.221.23.444	REV 00