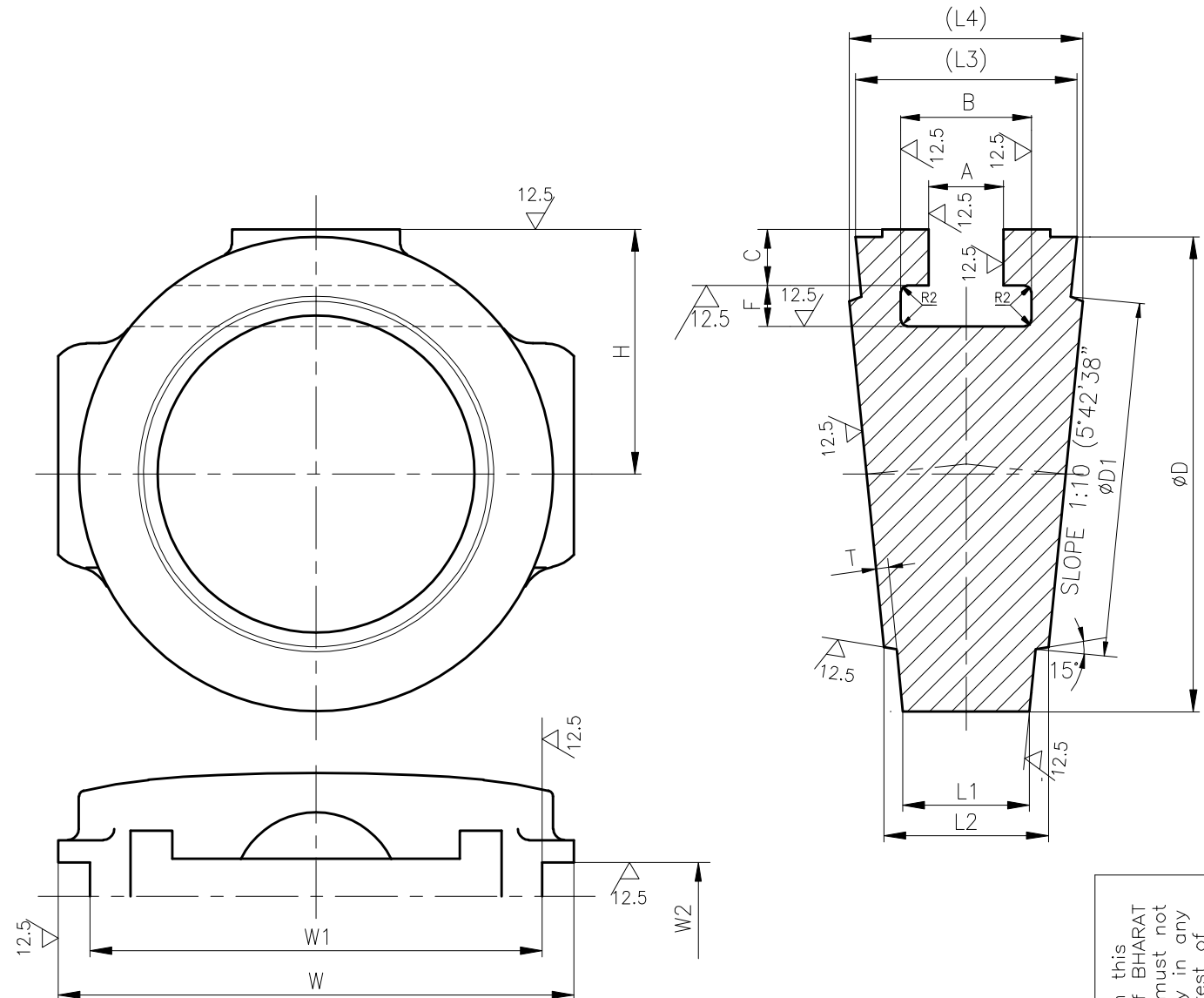


3-V-0000-25053
DRAWING NO.

SL.NO.	DRG.NO.	COMP.CODE	MATL.SPECN.	DIMENSIONS														NET WT (kg)	VALVE TYPE	
				A	B	C	F	W	W1	W2	L1	L2	(L3)	(L4)	H	øD	øD1			T
01	3-V-N049-25053	931026325000	A216-WCB,NR CERTIFY	16	27	11	15	112	90	12	54.80	64.21	74.0	78.64	50	96	74.38	3.5	3.6	3"-C300-GV
02	3-V-N257-25053	931070305000	A217-WC6,NT CERTIFY	16	27	11	15	112	90	12	56.81	64.00	76.0	78.84	50	96	75.91	2.5	3.6	3"-C300-GV-STELLITED
03	3-V-N258-25053	931070095000	A217-WC9,NT CERTIFY	16	27	11	15	112	90	12	56.81	64.00	76.0	78.84	50	96	75.91	2.5	3.6	3"-C300-GV-STELLITED
04	3-V-U321-25053	931307345000	A351-CF8M,SH CERTIFY	16	27	11	15	112	90	12	56.81	64.00	76.0	78.84	50	96	75.91	2.5	3.6	3"-C300-GV-STELLITED
05	3-V-K375-25053	931039245000	A216-WCB,NR CERTIFY	16	27	11	15	112	90	12	56.81	64.00	76.0	78.84	50	96	75.91	2.5	3.6	3"-C300-GV-STELLITED



REV	DATE	ALTERED
		CHD & APPD

CAUTION: The information on this document is the property of BHARAT HEAVY ELECTRICALS LTD. It must not be used directly or indirectly in any way detrimental to the interest of the company.

NO OFF	DESCRIPTION	MATL CODE	MATL SPECN	HEAT TREATMENT	SCRAP SORT	NET WT (kg)	GROSS WT (kg)	DRAWING No	ITEM No
-	-	-	-	-	-	-	-	-	-

TYPE OF PRODUCT OR NAME OF CUSTOMER/PROJECT									
 365-121	BHARAT HEAVY ELECTRICALS LTD., UNIT: HIGH PRESSURE BOILER PLANT. TIRUCHIRAPALLI-620014.			DRN	GANGA R	SIGN	DATE	NO.OF VAR.	
	CHD	M.SRINIVASAN			26.05.11				
	APPD	M.RAJAKUMAR			26.05.11				
DEPT	VL	SCALE	WEIGHT (KG).	REFERENCE INFORMATION				NO. OF ITEMS	
CODE	320	NTS	REFER TABLE	CAD.REF.C325053					
TITLE					CARD CODE	DRAWING NO.			REV
WEDGE ROUGH					U 01	3-V-0000-25053			00