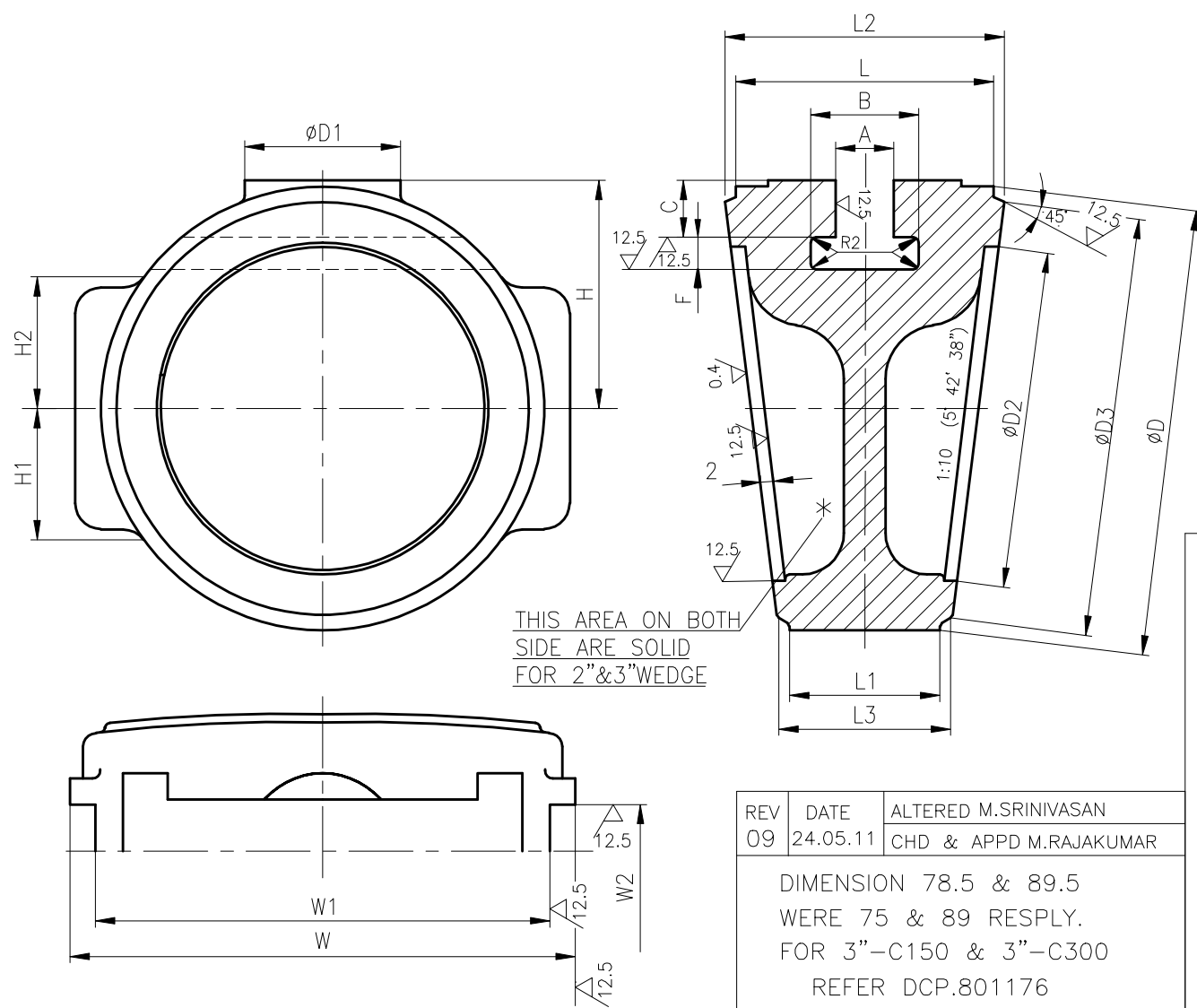


3-V-0000-17483  
DRAWING NO.

SL NO	DRAWING NO	COMP.CODE	MATL.CODE	MATL.SPEN	DIMENSIONS																	NET Wt (kg)	VALVE TYPE	
					A	B	C	F	W	W1	W2	L	L1	L2	L3	ØD	ØD1	ØD2	ØD3	H	H1			H2
01	3-V-N277-17483	931057810000	922003100000	ASTM A351 CF8 (CERTIFY)	16	23	5.5	10.5	81	68	12	42	27.87	45.32	32.59	71	30	48.5	64	38	19	16	1.21	2"-C150 GV
02	3-V-N286-17483/02	931057820000	922003100000		16	27	11	15	112	90		46.21	27.01	49.53	31.72	96		78.5	89.5	50	15	20	2.07	3"-C150 GV
03	3-V-N285-17483	931057830000	922003130000		20	35		11	15	137	121	18	58.62	33.34	61.60	38.32	127	45	99	117	66.5	25	35	4.53
04	3-V-N284-17483	931057840000	922003150000		22	44	14	18	190	173	16	66.59	30.77	70.37	36.94	180	148	168	91	26	52	8.20	6"-C150 GV	
05	3-V-N338-17483/02	931062390000	922004060000	A 351	16	27	11	15	112	90	12	46.21	27.01	49.53	31.72	96	30	78.5	89.5	50	15	20	2.07	3"-C150 GV
06	3-V-N339-17483	931062400000	922004050000	CF8M (CERTIFY)	22	44	14	18	190	173	16	66.59	30.77	70.37	36.94	180	45	148	168	91	26	52	8.20	6"-C150 GV
07	3-V-N336-17483	931062950000	922003920000				17		196	179	18	74.4	37.32	77.39	42.36	186	50		176	96	30	50	7.65	6"-C300 GV
08	3-V-N337-17483	931062960000	922001940000	CF8	20	35	11	15	137	121	18	58.62	33.34	61.60	38.32	127	45	99	117	66.5	25	35	4.53	4"-C150 GV
09	3-V-N438-17483	931065870000	922005160000	CF8M								16	23	5.5	10.5	81	68	12	42	27.87	45.32	32.59	71	30
10	3-V-N472-17483	931066130000	922004740000	CF8M	16	23	5.5	10.5	81	68	12	42	27.87	45.32	32.59	71	30	48.5	64	38	19	16	1.21	2"-C300 GV
11	3-V-N374-17483	931069140000	922004740000																					CF8
12	3-V-N364-17483/02	931069150000	922004380000	CF8	16	27	11	15	112	90	12	76.0	56.81	79.33	61.52	96	30	78.5	89.5	50	15	20	3.72	3"-C300 GV
13	3-V-N373-17483/02	931069160000	922004780000	CF8M																				CF8M



CAUTION: The information on this document is the property of BHARAT HEAVY ELECTRICALS LTD. It must not be used directly or indirectly in any way detrimental to the interest of the company.

REV	DATE	ALTERED M.SRINIVASAN
09	24.05.11	CHD & APPD M.RAJAKUMAR
DIMENSION 78.5 & 89.5 WERE 75 & 89 RESPLY. FOR 3"-C150 & 3"-C300 REFER DCP.801176		

NO OFF	DESCRIPTION	MATL CODE	MATL SPECN	HEAT TREATMENT	SCRAP SORT	NET WT (kg)	GROSS WT (kg)	DRAWING No	ITEM No
-	-	-	-	-	-	-	-	-	-
TYPE OF PRODUCT OR NAME OF CUSTOMER/PROJECT									
CS DRG. REDRAWN WITH REV.08 ON 01.11.2007 (REFER DCN.CS:0639)									
DEPT VL		SCALE		WEIGHT (KG)		REFERENCE INFORMATION			
365-121		NTS		REFER TABLE		CAD.REF.:C317483 DCP: 800766			
CODE 320		TITLE		CARD CODE		DRAWING NO.			
		WEDGE (CF8 & CF8M)		U 01		3-V-0000-17483 09			