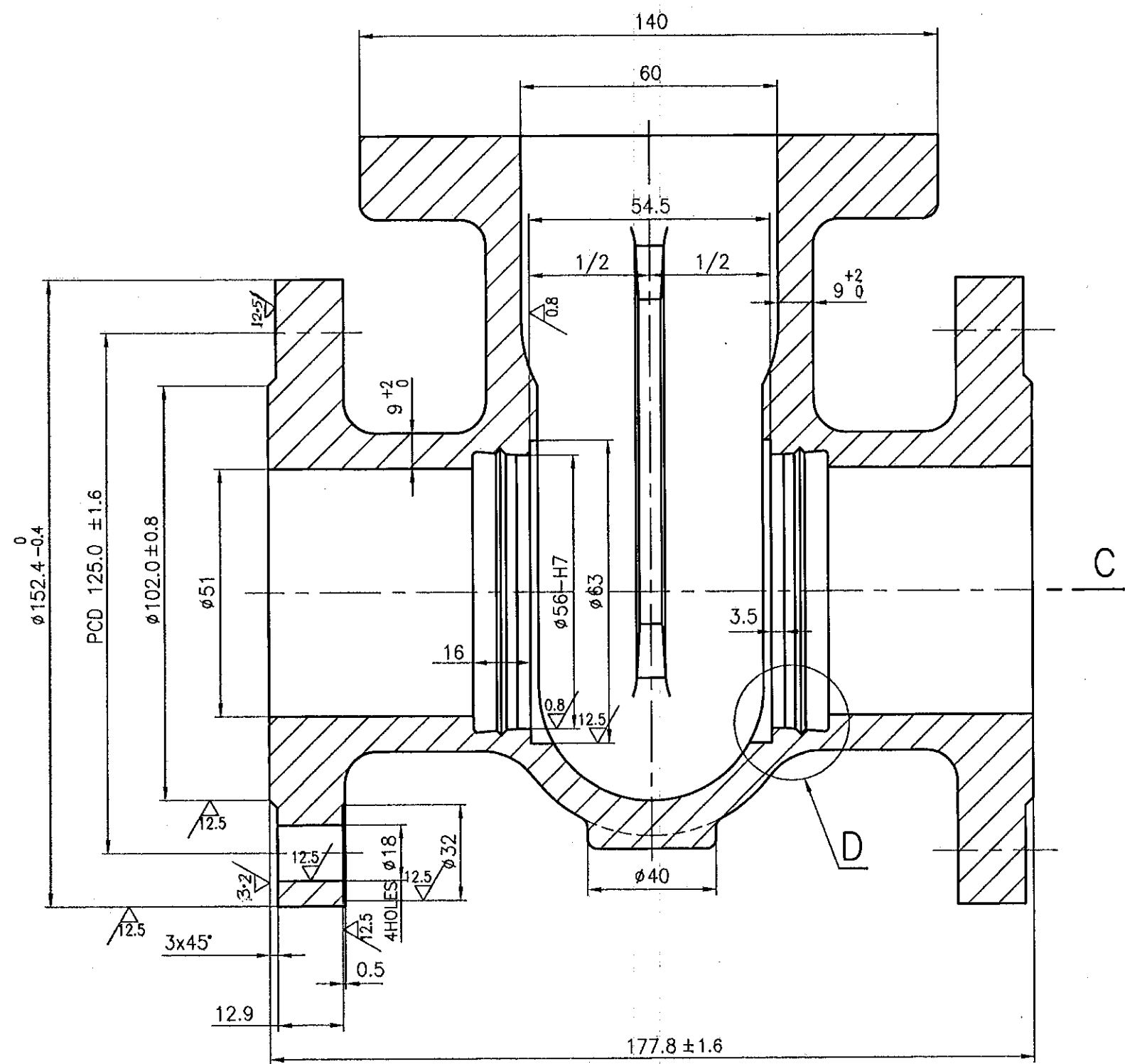
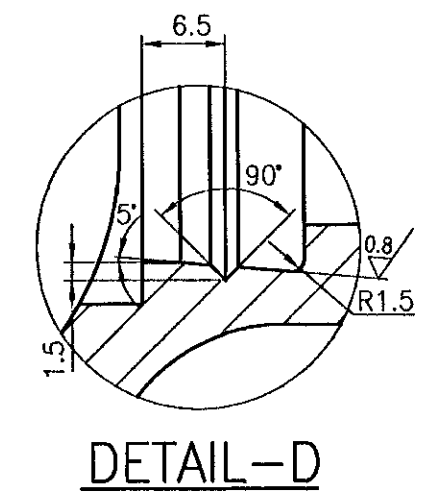
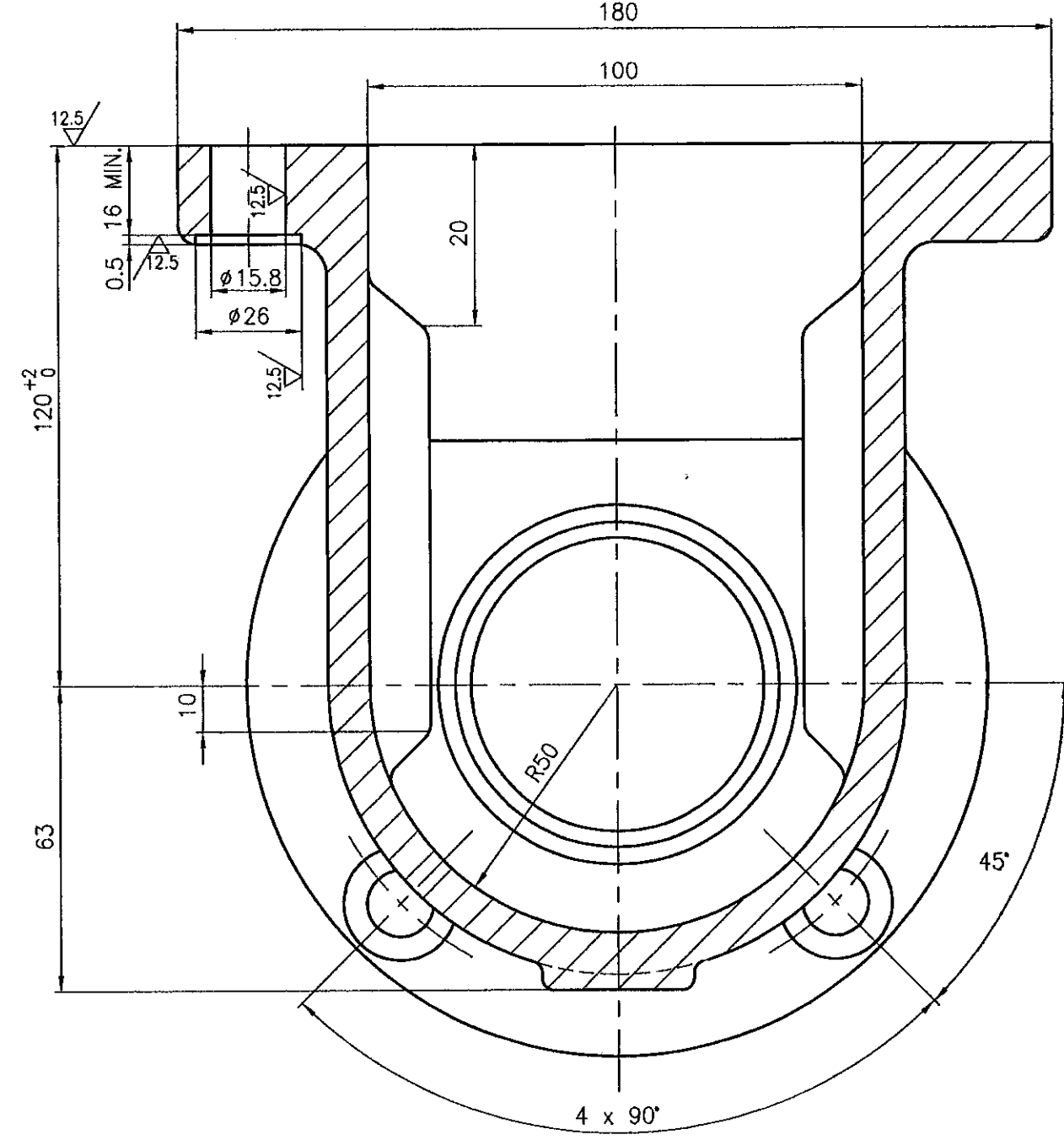


✓/12.5/3.2/0.8/

SECTION-AA

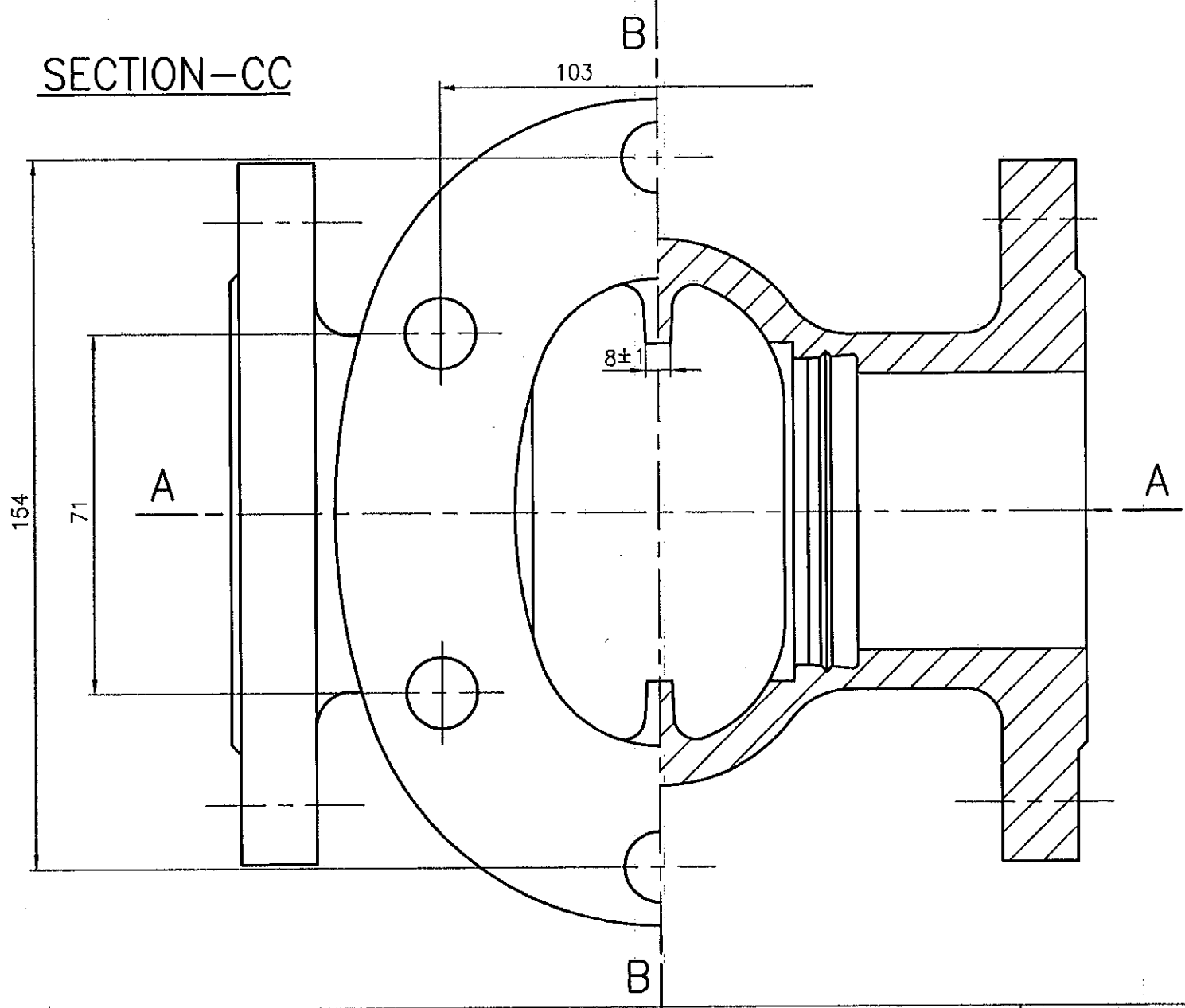


SECTION-BB



∅56 -H7	+0.030 0
∅10 -H7	+0.015 0

SECTION-CC



01	CASTING	92 027 056	ASTM A216 WCB ATTEST	NORMALISED	10	11.1	14.1	----	01
No OFF	DESCRIPTION	MATL CODE	MATL SPECN	HEAT TREATMENT	SCRAP SORT	NET WT (kg)	GROSS WT (kg)	DRAWING No	ITEM No

TYPE OF PRODUCT OR NAME OF CUSTOMER/PROJECT **CS**

 BHARAT HEAVY ELECTRICALS LTD. UNIT: HIGH PRESSURE BOILER PLANT. TIRUCHIRAPALLI - 620014.	DRN	K.P.LEON	SIGN	DATE	NO. OF VAR.
	CHD	P. BOOMINATHAN		26.02.01	-
	APPD	K.S.RAMAN		26.02.01	-

DEPT	VL	SCALE	WEIGHT (KG).	REFERENCE INFORMATION	NO. OF ITEMS
CODE	320	NTS.	11.1	COMP. CODE: 931099530000 CAD:C208338	-
TITLE	BODY (2"-C150-16ata DRILLING)		CARD CODE	DRAWING NO.	REV
			U 01	2-V-U035-08338	00

CAUTION: The information on this document is the property of BHARAT HEAVY ELECTRICALS LTD. It must not be used directly or indirectly in any way detrimental to the interest of the company.

REV	DATE	ALTERED
		CHD & APPD
ZONE		