

12.5 / 3.2

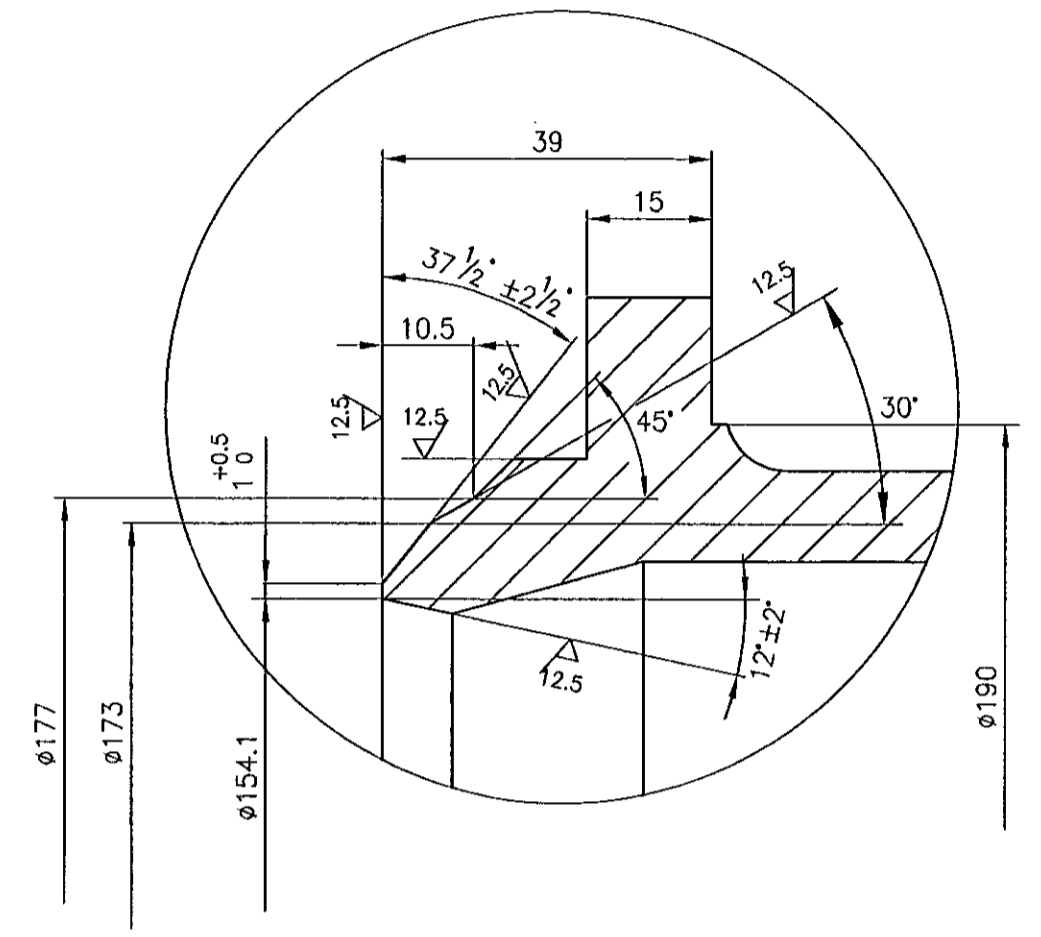
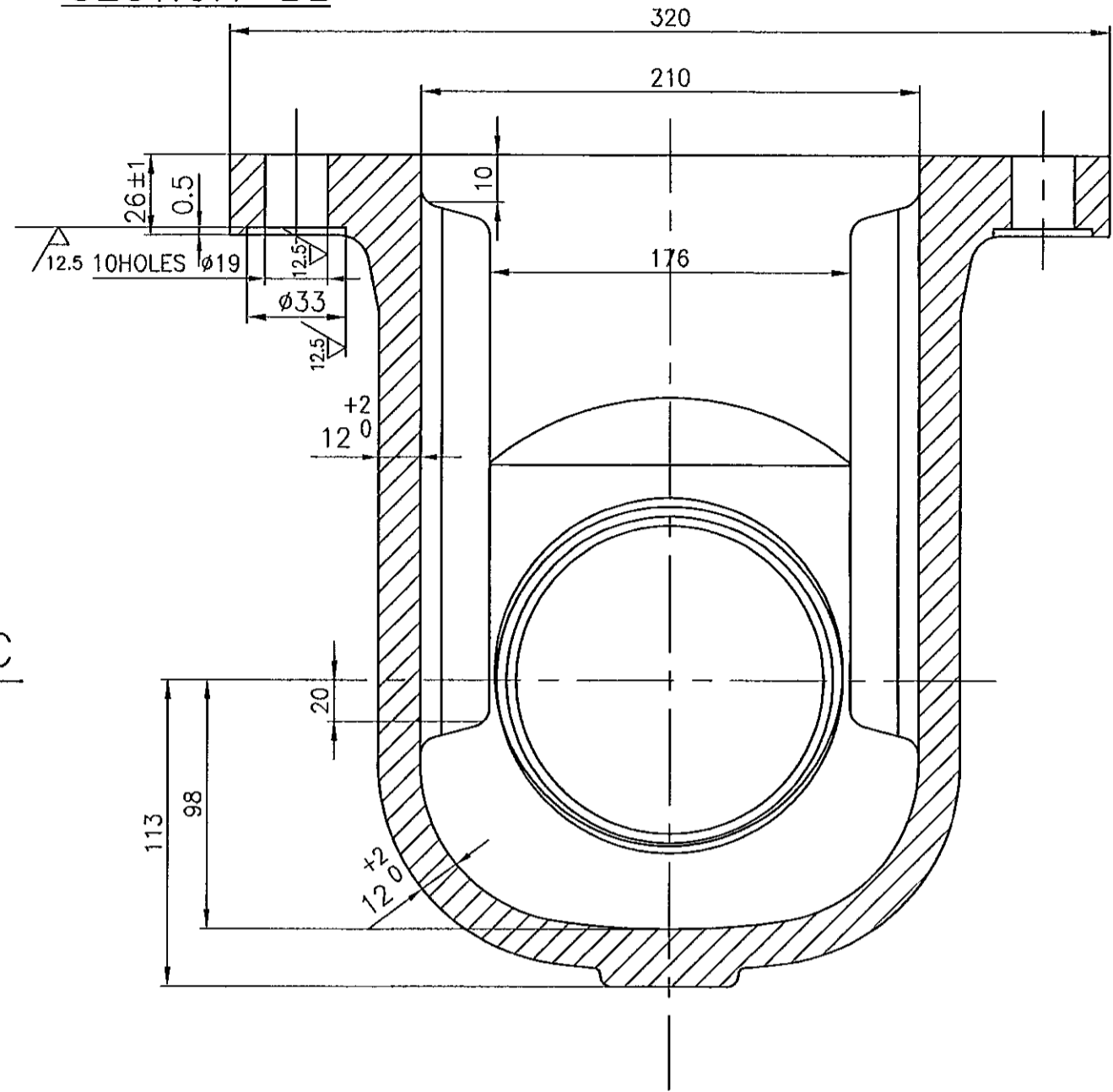
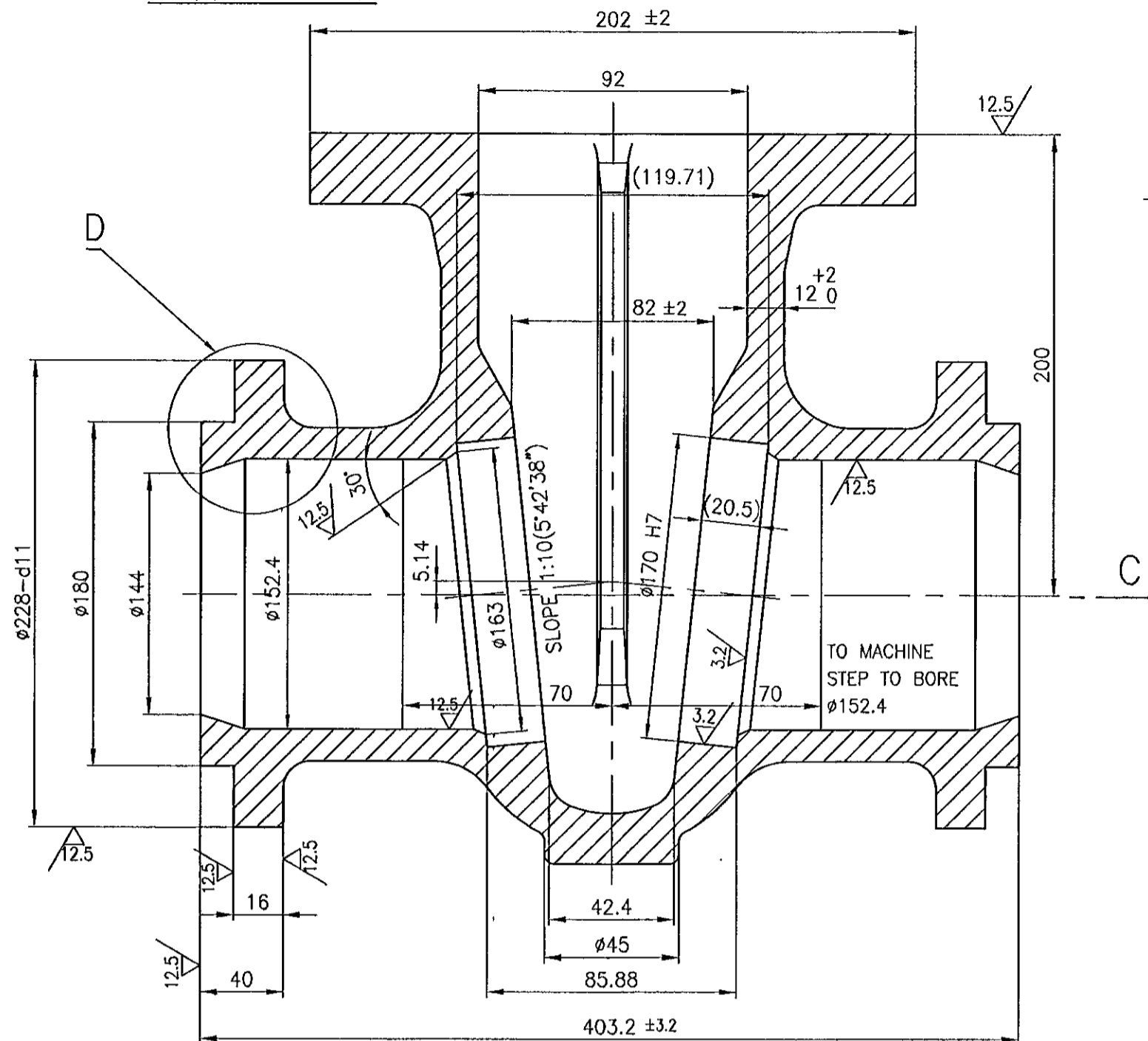
SECTION-AA

SECTION-BB

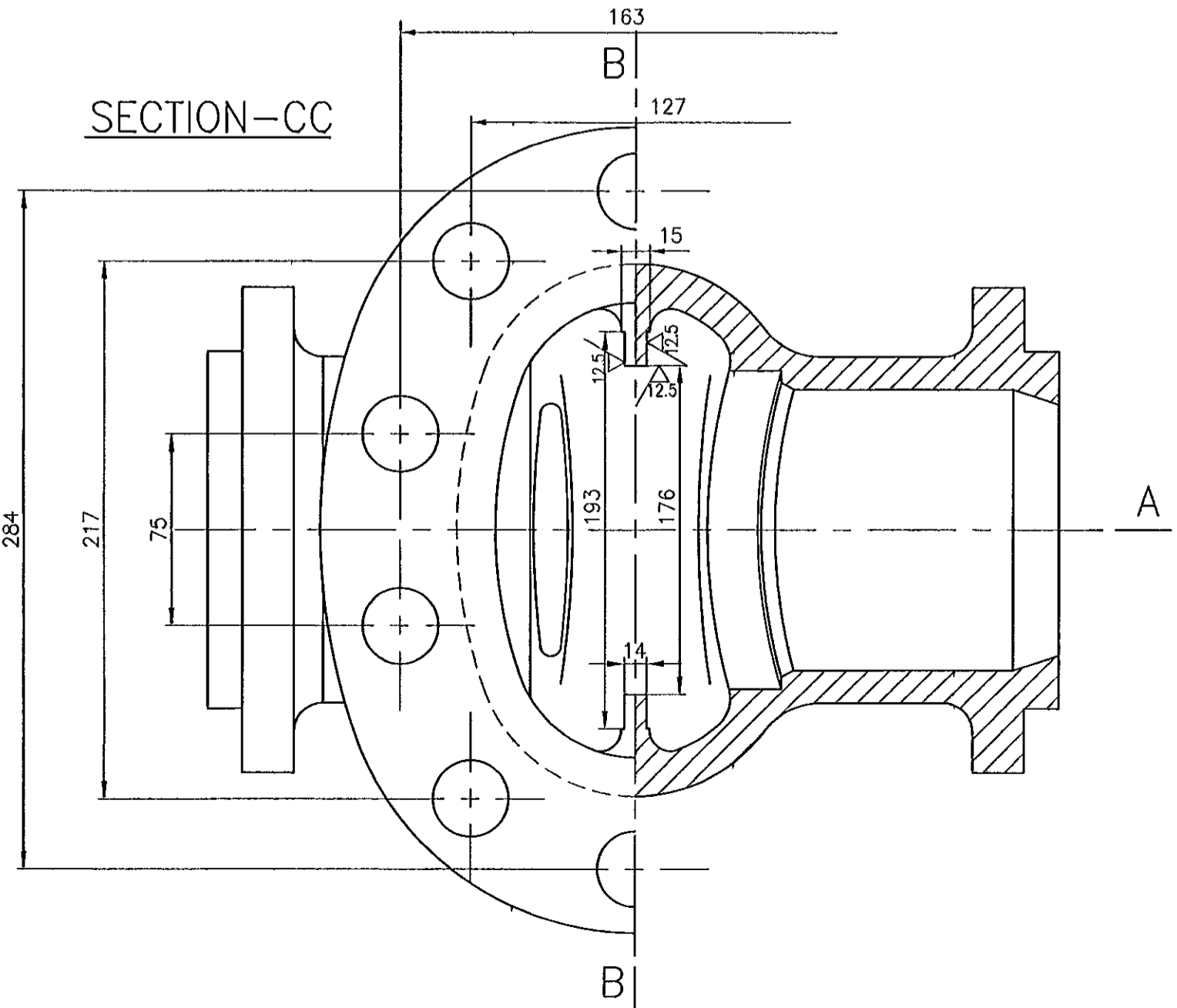
DETAIL-D

FOR STANDARD VALVE ONLY

Ø170-H7	+0.040
	0
Ø228-d11	-0.170
	-0.460



SECTION-CC



CAUTION: The information on this document is the property of BHARAT HEAVY ELECTRICALS LTD. It must not be used directly or indirectly in any way detrimental to the interest of the company.

CASTING	92 201 378	A351 CF8M ATTEST	S H	46	42.0	52.0	---	---	
No OFF	DESCRIPTION	MATL CODE	MATL SPECN	HEAT TREATMENT	SCRAP SORT	NET WT (kg)	GROSS WT (kg)	DRAWING No	ITEM No
	TYPE OF PRODUCT OR NAME OF CUSTOMER/PROJECT	CS							
	BHARAT HEAVY ELECTRICALS LTD.	DRN	K.P.LEON	SIGN	DATE	NO. OF VAR.			
	UNIT: HIGH PRESSURE BOILER PLANT. TIRUCHIRAPALLI -620014.	CHD	P.Boomnathan		20.06.02	-			
	365-120	APPD	K.S.RAMAN		20.06.02	-			
DEPT	VL	SCALE	WEIGHT (KG).		REFERENCE INFORMATIONS				
CODE	320	NTS.	42.0		CAD:C208495				
TITLE	BODY (6"-150C BW)		CARD CODE	DRAWING NO.					
			U 01	2-V-N182-08495					
								00	REV

REV	DATE	ALTERED
		CHD & APPD
ZONE		

10/2