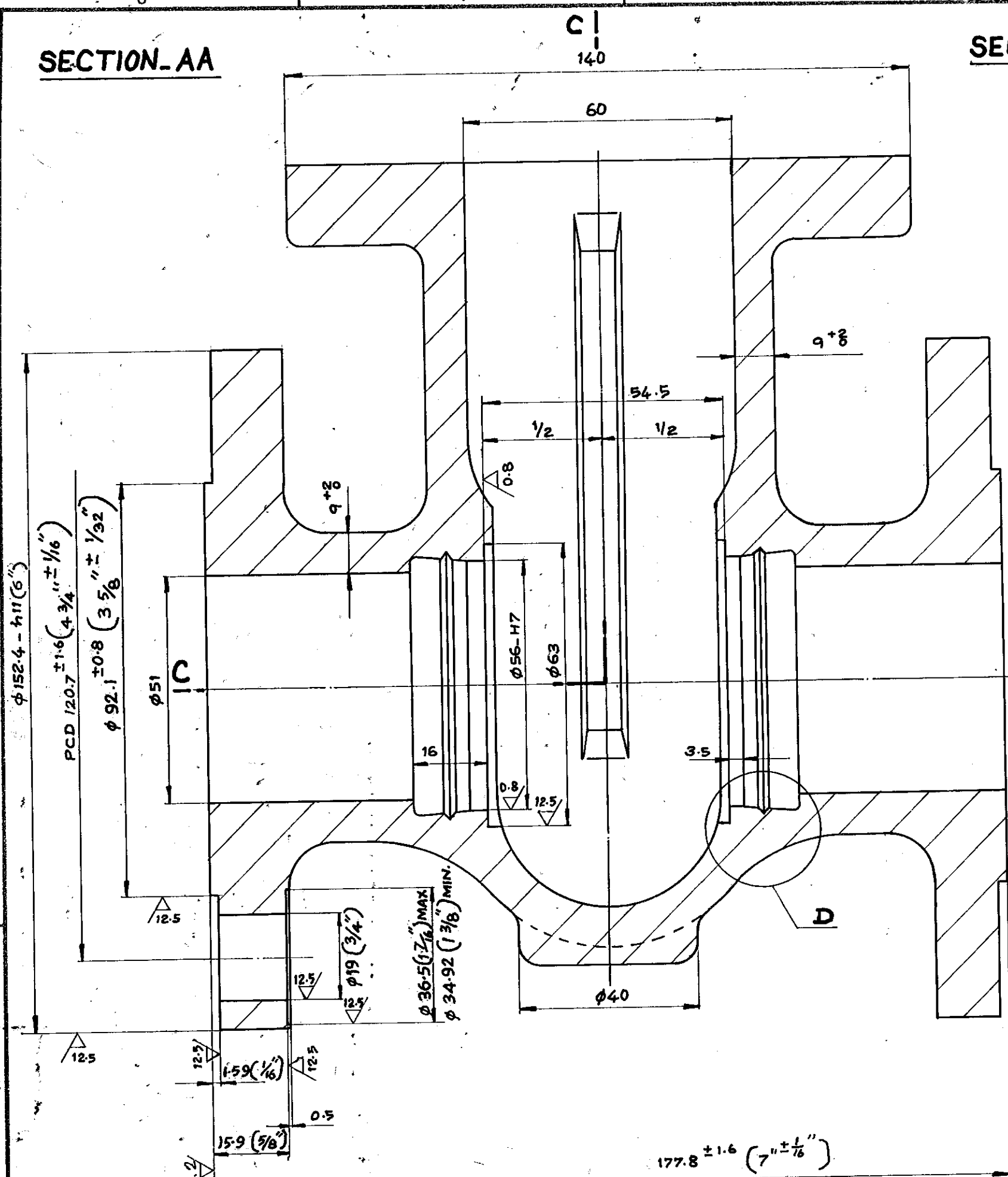
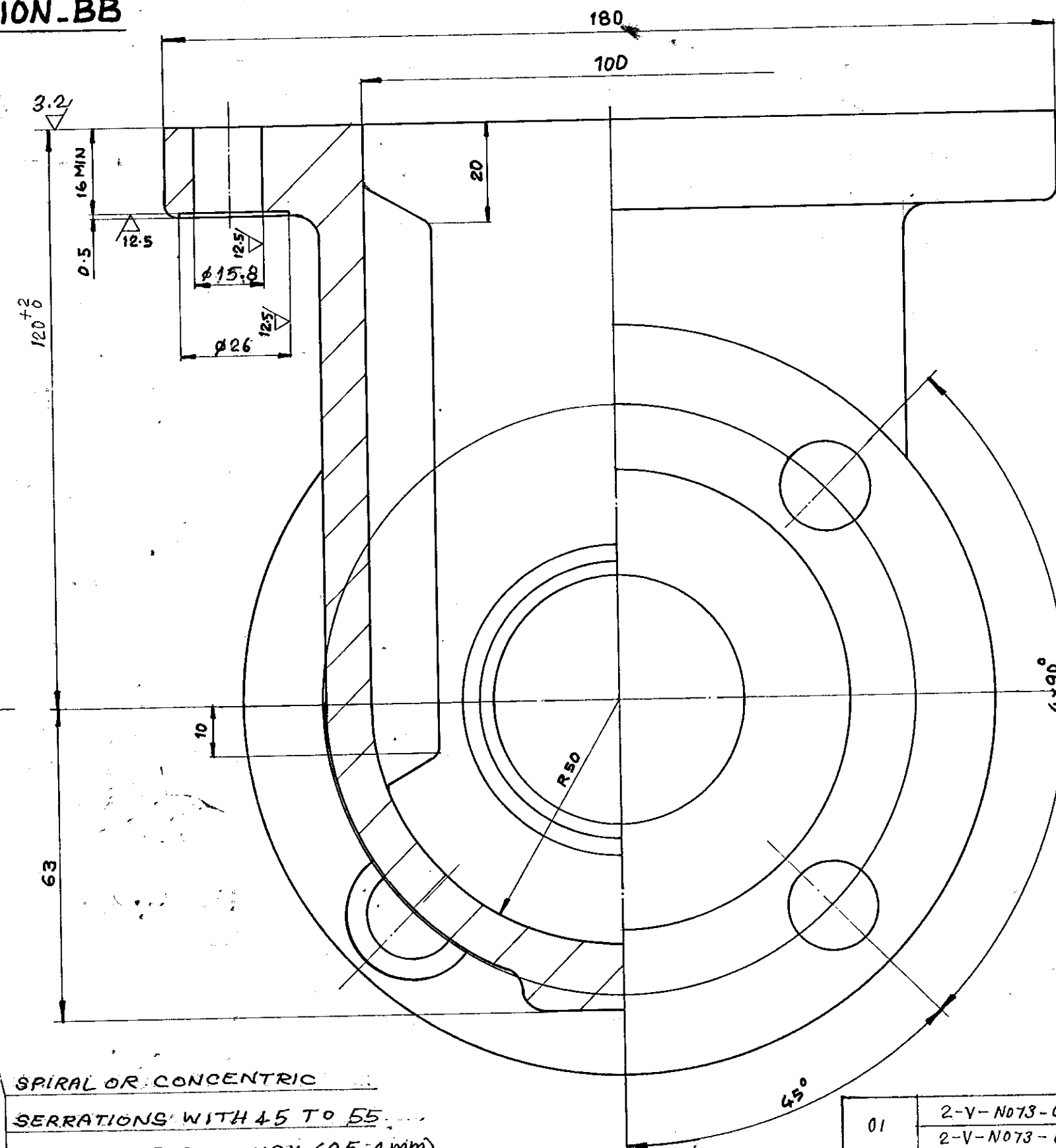


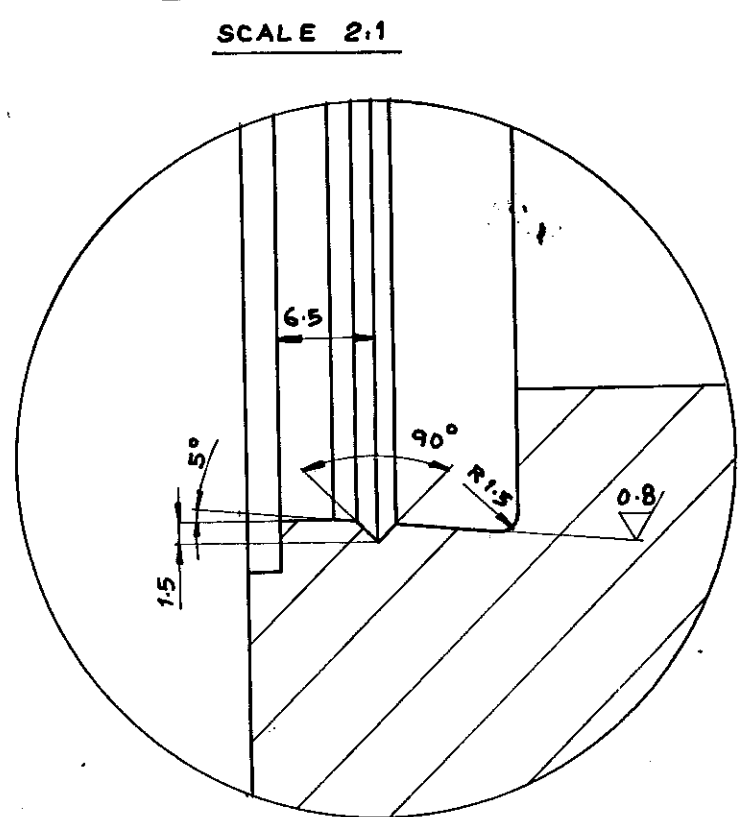
SECTION-AA



SECTION-BB



DETAIL-D

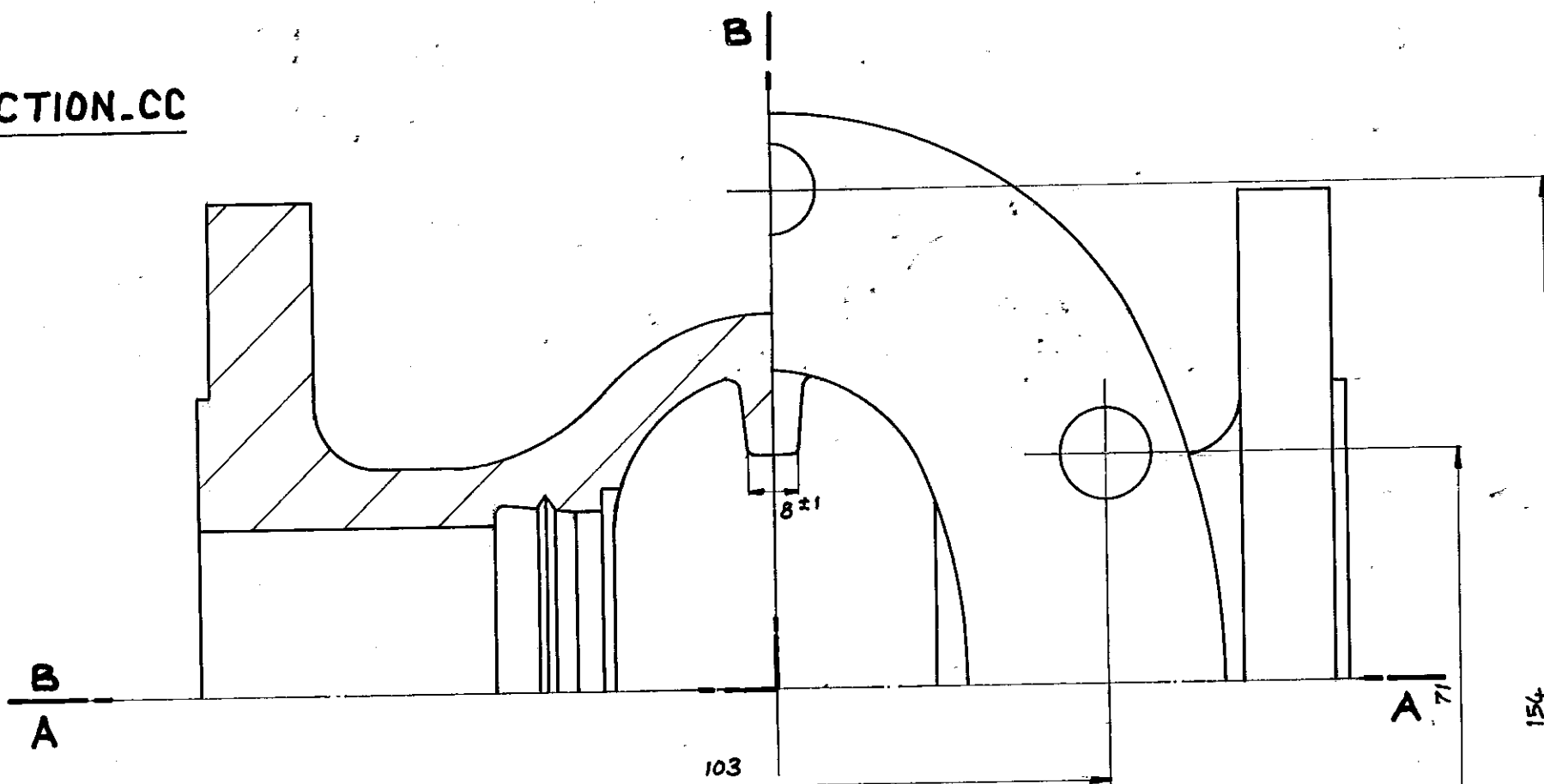


φ56-H7	+0.030
	0
φ10-H7	+0.015
	0
φ152.4 h11	0
	-0.250

SPIRAL OR CONCENTRIC  
SERRATIONS WITH 45 TO 55  
DEGREE GROOVES 1/8 PER  
INCH (25.4 MM)  
WITH A TOOL RADIUS OF  
1.5 MM APPROX.

01	2-V-N073-03401/04	9207056	A216 WCB	NR	10
	2-V-N073-03401/04	93 102 821 0000		ATTEST	
SL.No.	CASTING DRG. No.	MATL. CODE	MATERIAL SPECN.		SCRAP SORT
	DRG. No.	COMP. CODE			

SECTION-CC



REV.	DATE	ALTD. T.C. & APPD.	DATE	ALTERED T.C. & APPD.
04	19.4.99	CHD: S.K. & APPD: [Signature]	03	20.9.94 CHD: [Signature]
02	27.11.93	CHD: S.K. & APPD: [Signature]	1	7.10.92 CHD: S.K. & APPD: [Signature]

SERRATION NOTE MODIFIED TO THE LATEST STD. REFER D.C.N. CS:1003

01) CASTING DRG. NO. INCLUDED.  
02) NOTES FOR FLANGE SERRATION CHANGED DIMEN. 120.8 WAS 117 REFER D.C.N. CS:0391

03) D.C.N. NO. CS:0391

04) D.C.N. NO. CS:0391

05) D.C.N. NO. CS:0391

06) D.C.N. NO. CS:0391

07) D.C.N. NO. CS:0391

08) D.C.N. NO. CS:0391

09) D.C.N. NO. CS:0391

10) D.C.N. NO. CS:0391

**BHARAT HEAVY ELECTRICALS LTD.,**  
BOILER PLANT UNIT, TIRUCHIRAPALLI-14

FIRST ANGLE	SCALE	DRAWN	J. PRABAKAR	TOTAL NET WT.(KG)	11.1
	NTS	CHECKED	S. KUMAR	TYPE	
ALL DIMENSIONS IN MILLIMETRES		APPROVED	S. KUMAR	DATE	06.11.89
		DATE	06.11.89	NEW/OLD DRG. NO.	
		TITLE			
		BODY 50-150 CLASS			
		DRAWING NO. REF TABLE		REVISION	
		2-V-N073-03401		04	

**CAUTION**  
THE INFORMATION CONTAINED IN THIS DRAWING IS THE PROPERTY OF BHARAT HEAVY ELECTRICALS LTD., BOILER PLANT UNIT, TIRUCHY-14 AND SHALL NOT BE USED WITHOUT THEIR EXPRESS WRITTEN PERMISSION IN ANY FORM OR PART THEREOF FOR ANY OTHER PURPOSE THAN FOR WHICH IT IS SENT TO YOU.