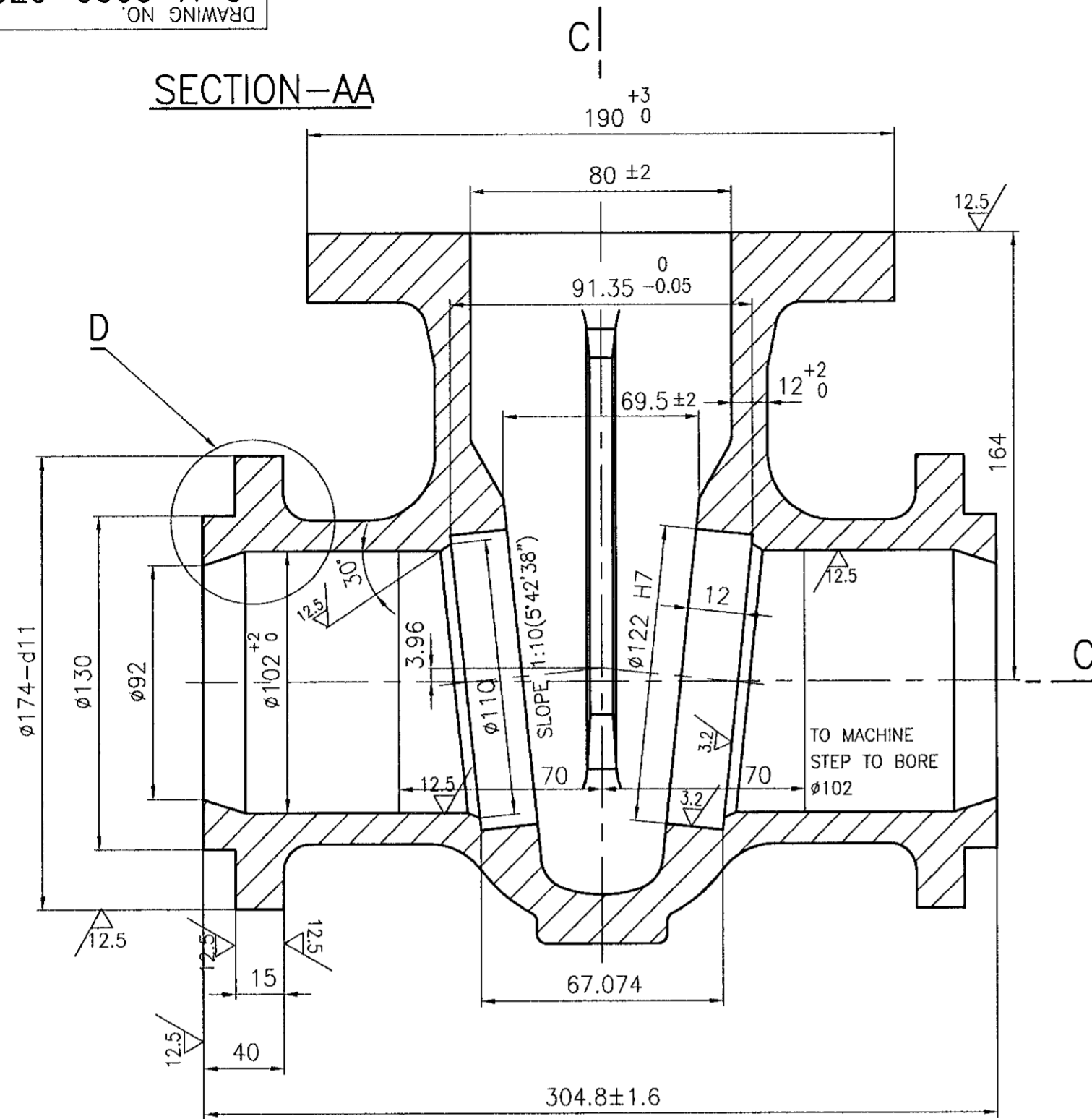
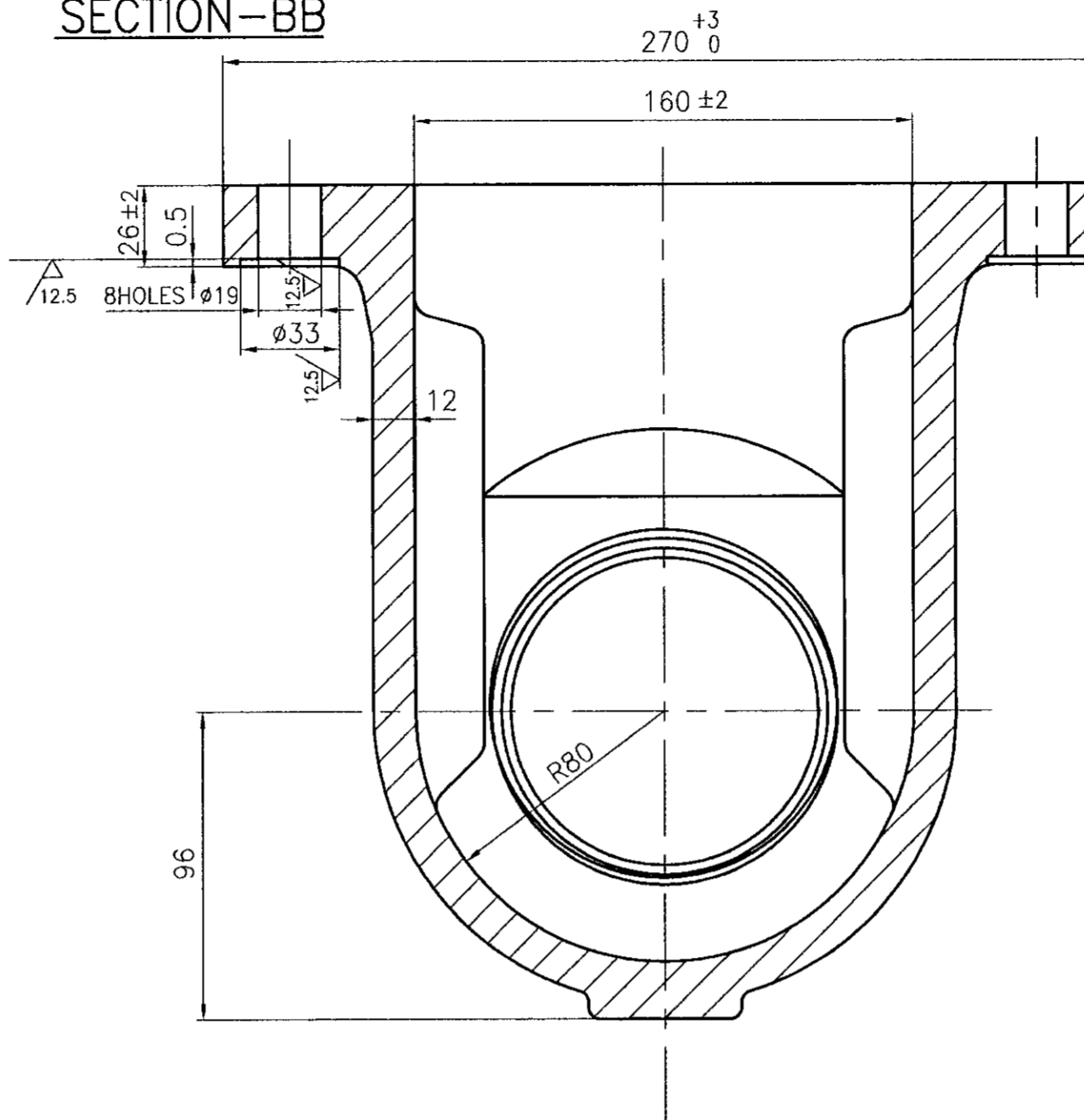


✓/12.5/3.2/

SECTION-AA



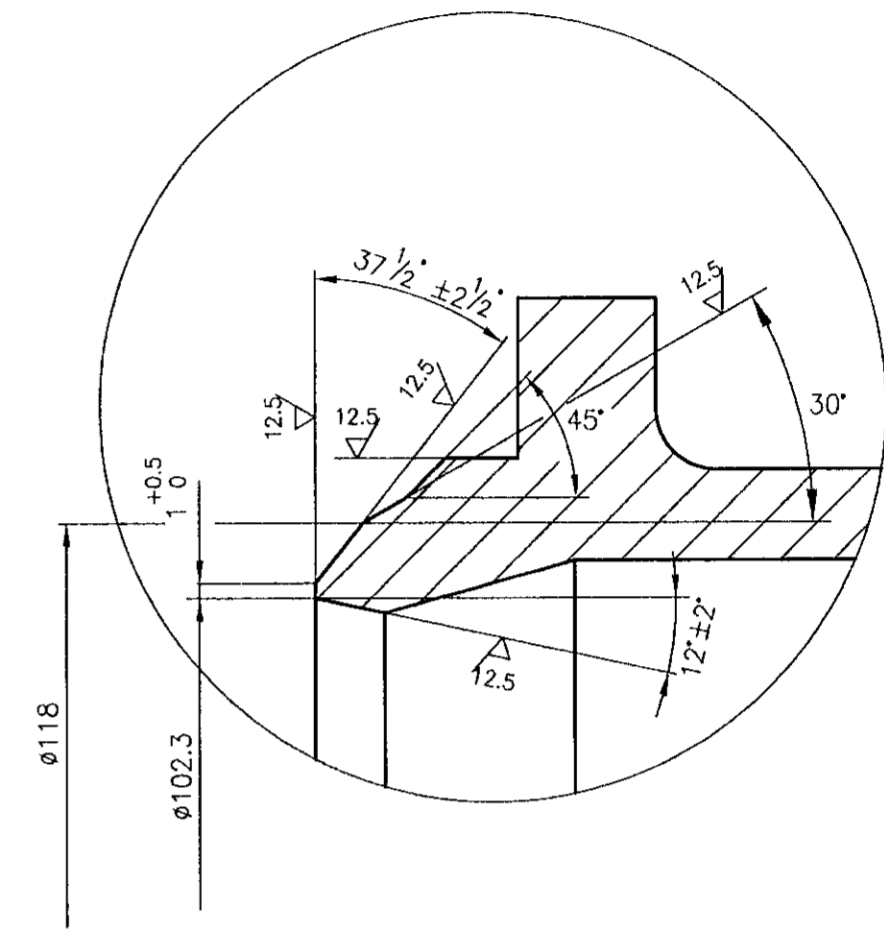
SECTION-BB



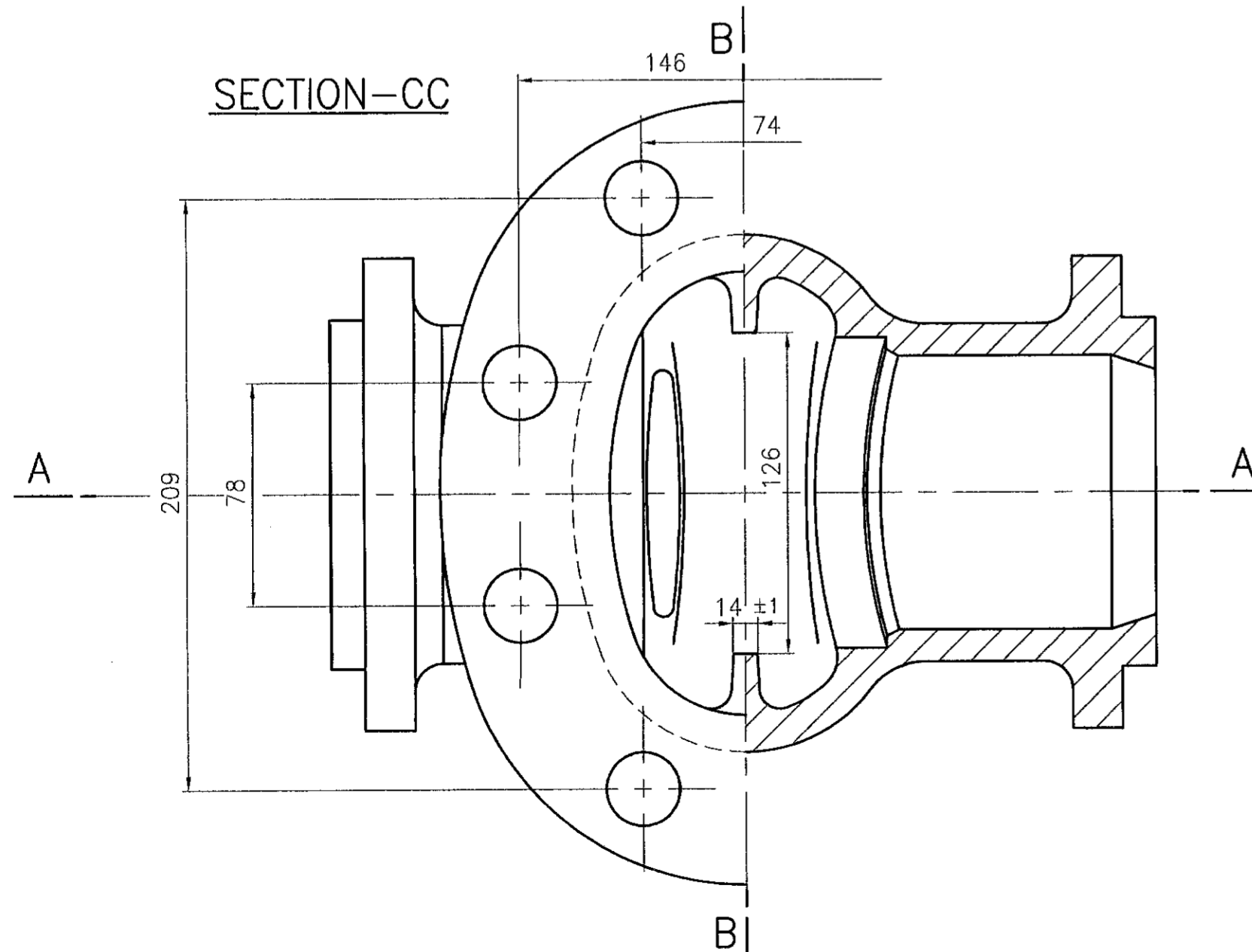
DETAIL-D

FOR STANDARD VALVE ONLY

Ø122-H7	+0.040
	0
Ø174-d11	-0.145
	-0.395



SECTION-CC



SL No.	DESCRIPTION	MATL CODE	MATL SPECN	HEAT TREATMENT	SCRAP SORT	NET WT (kg)	GROSS WT (kg)	DRAWING No	ITEM No
02	CASTING DRG.No. 2.V.N680.07944R	92 200 934	A351 CF8 ATTEST	S H	46	27.0	31.0	2.V.N680.07944 931083140000	-
01	CASTING DRG.No. 2.V.N759.07944R	92 201 014	A351 CF8M ATTEST	S H	46	27.0	31.0	2.V.N759.07944 931090650000	-

CAUTION: The information on this document is the property of BHARAT HEAVY ELECTRICALS LTD. It must not be used directly or indirectly in any way detrimental to the interest of the company.

TYPE OF PRODUCT OR NAME OF CUSTOMER/PROJECT: **CS** DRG.RETRACED WITH REV.01 ON 23.10.98

DEPT	VL	SCALE	WEIGHT (KG)	REFERENCE INFORMATION
365-120		NTS.	27.0	CAD:C207944

DRN	K.P.LEON	SIGN	DATE	NO.OF VAR.
CHD	N.DHANAPAL		23.10.98	-
APPD	K.S.RAMAN		23.10.98	-

REV	DATE	ALTERED
01	23.10.98	CHD & APPD

ZONE SL.No.02 INCLUDED

TITLE	CARD CODE	DRAWING NO.	REV
BODY (4"-150C BW)	U 01	2-V-0000-07944	01