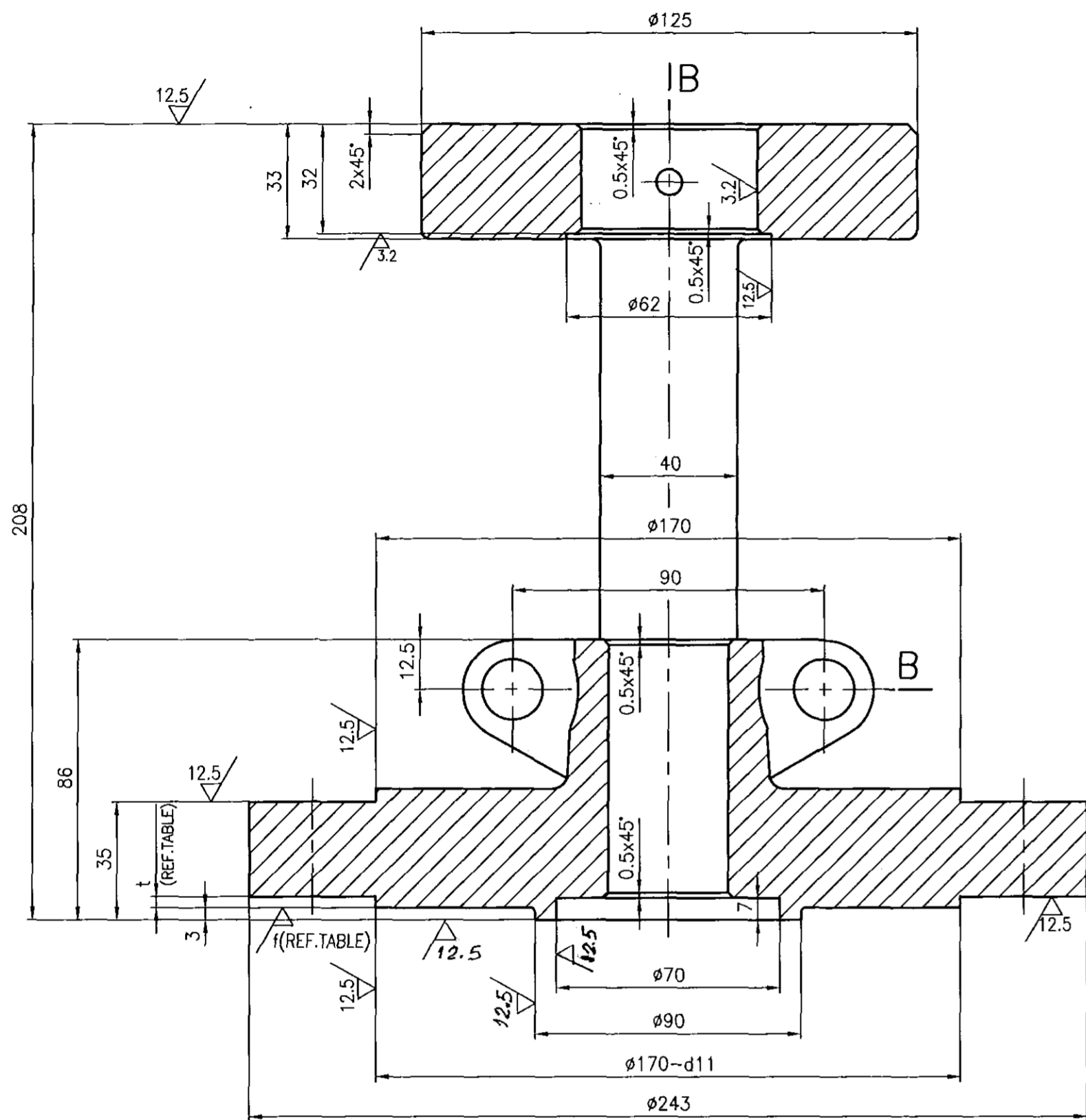
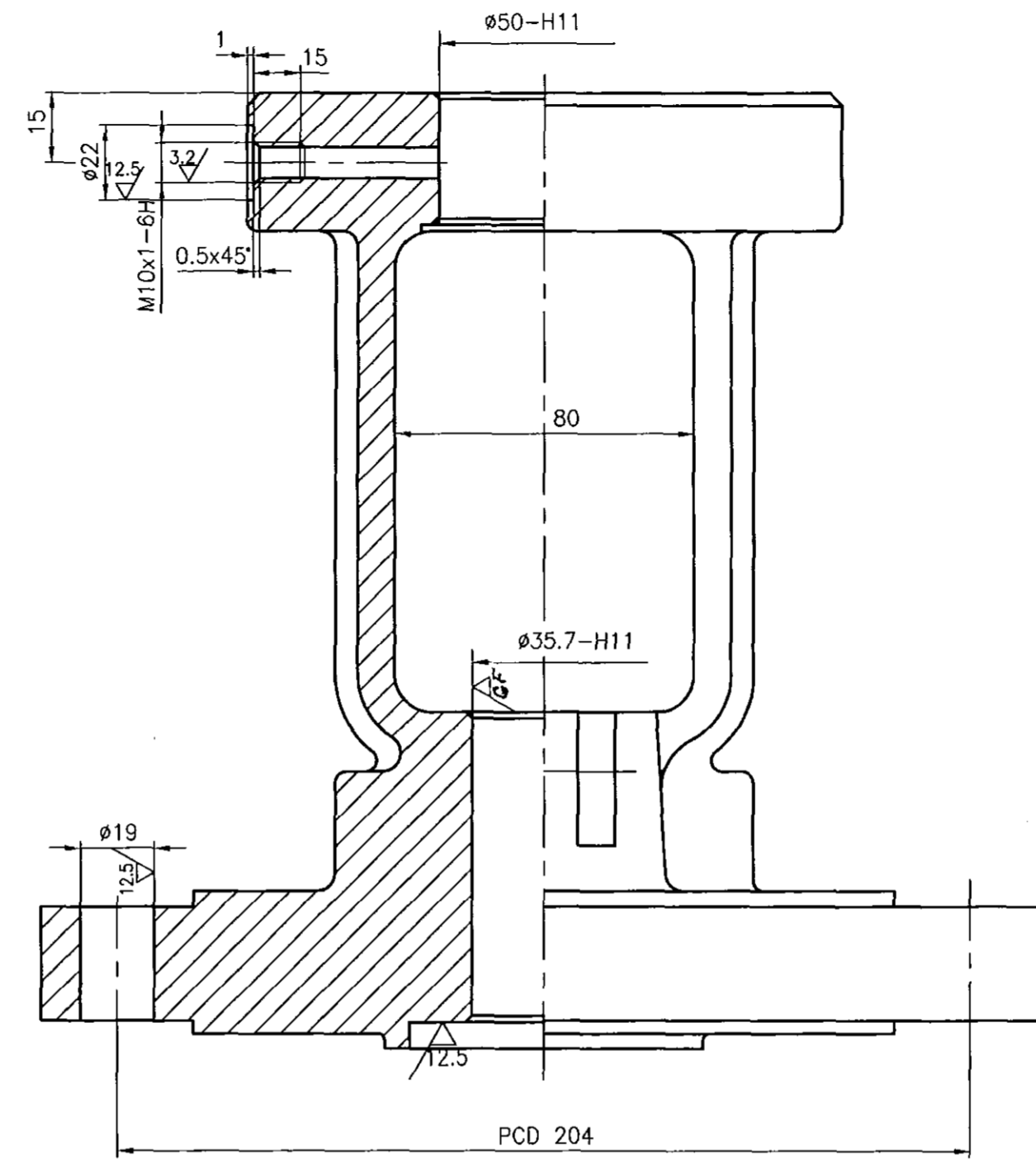


12.5 3.2

SECTION-AA

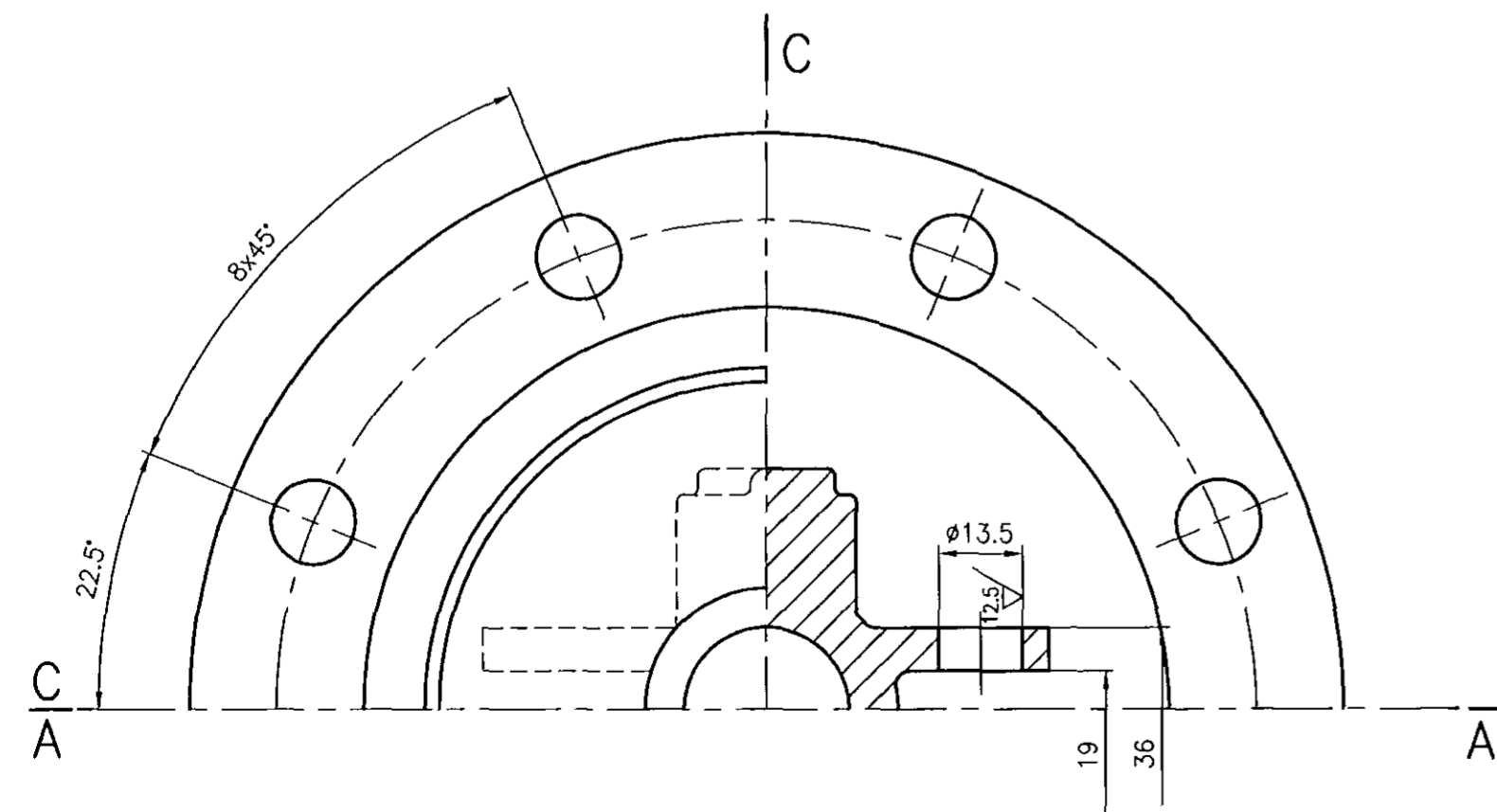


SECTION-CC



Ø35.7-H11	+0.160
	0
Ø50-H11	+0.160
	0
Ø170-d11	-0.145
	-0.395

SECTION-BB



SL No	t	f	GF	MATL SPECK	HEAT TREATMENT	SCRAP SORT	NET WT (kg)	GROSS WT (kg)	DRAWING No	ITEM No
08	2 ±0.05	3.2	1.6	A216 WCB CERTIFY	NORMALISED	10	14.0	---	2.V.K593.06279/01 931077630000	06
07	2 ±0.05	3.2	3.2	A351 CF8M CERTIFY	S H	46	14.0	---	2.V.N373.06279/01 931077620000	06
06	2 ±0.05	3.2	3.2	A351 CF8 CERTIFY	S H	46	14.0	---	2.V.N364.06279/01 931077610000	06
05	2 ±0.05	3.2	3.2	A217 WC9 CERTIFY	NOR & TEM	20	14.0	---	2.V.N258.06279/01 931070080000	06
04	2 ±0.05	3.2	3.2	A217 WC6 CERTIFY	NOR & TEM	20	14.0	---	2.V.N257.06279/01 931070070000	06
03	5	3.2	3.2	A216 WCC CERTIFY	NORMALISED	10	14.0	---	2.V.N256.06279/01 931070060000	06
02	2 ±0.05	3.2	3.2	A216 WCB CERTIFY	NORMALISED	10	14.0	---	2.V.K777.06279/01 931070050000	06
01	5	3.2	3.2	A216 WCB CERTIFY	NORMALISED	10	14.0	---	2.V.N255.06279/01 931070040000	06

REV 02	DATE 23.8.97	ALTERED K.P.LEON CHD & APPD
REV 01	DATE 10.3.97	ALTERED K.P.LEON CHD & APPD

IN TOP FLANGE DIMENSIONS Ø62 and HEIGHT 32 ADDED.
REFER DCN:CS:0739

DRAWING MODIFIED.
SL. NUMBERS 06 to 08 INCLUDED.

CAUTION: The information on this document is the property of BHARAT HEAVY ELECTRICALS LTD. It must not be used directly or indirectly in any way detrimental to the interest of the company.

TYPE OF PRODUCT OR NAME OF CUSTOMER/PROJECT

BHARAT HEAVY ELECTRICALS LTD.
UNIT: HIGH PRESSURE BOILER PLANT.
TIRUCHIRAPALLI - 620014.

DRN	K.P.LEON	SIGN	DATE	NO. OF VAR.
CHD	N.DHANAPAL		02.08.96	
APPD	A.VISWANATHAN		02.08.96	

DEPT VL
SCALE N.T.S.
WEIGHT (KG) -
REFERENCE INFORMATION CAD REF: C206279

TITLE **YOKE CUM BONNET**
(3"-300C GV)

CARD CODE U 01
DRAWING NO. 2-V-0000-06279
REV 02

