

DRAWING NO. 2-V-0000-06255/04

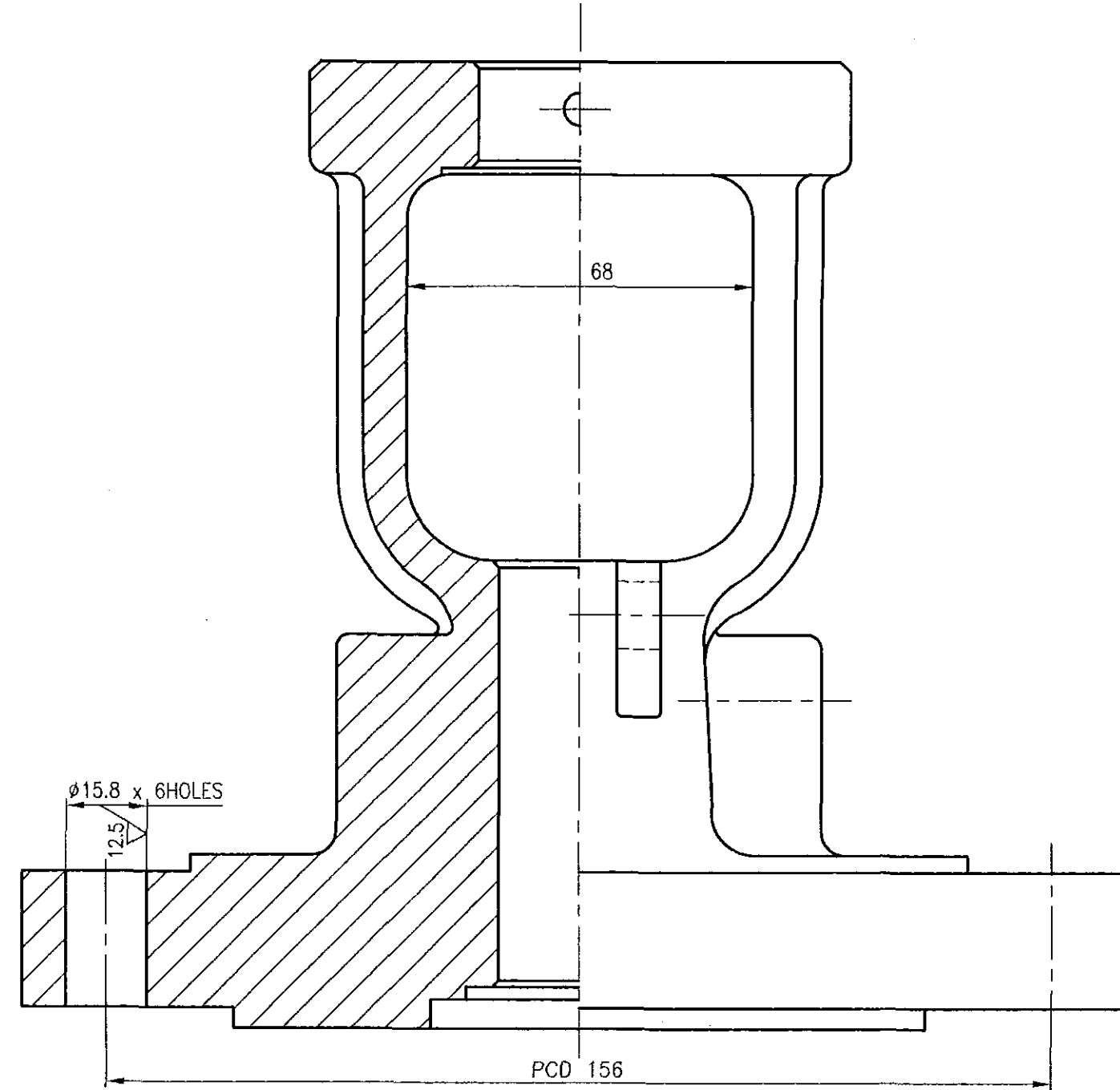
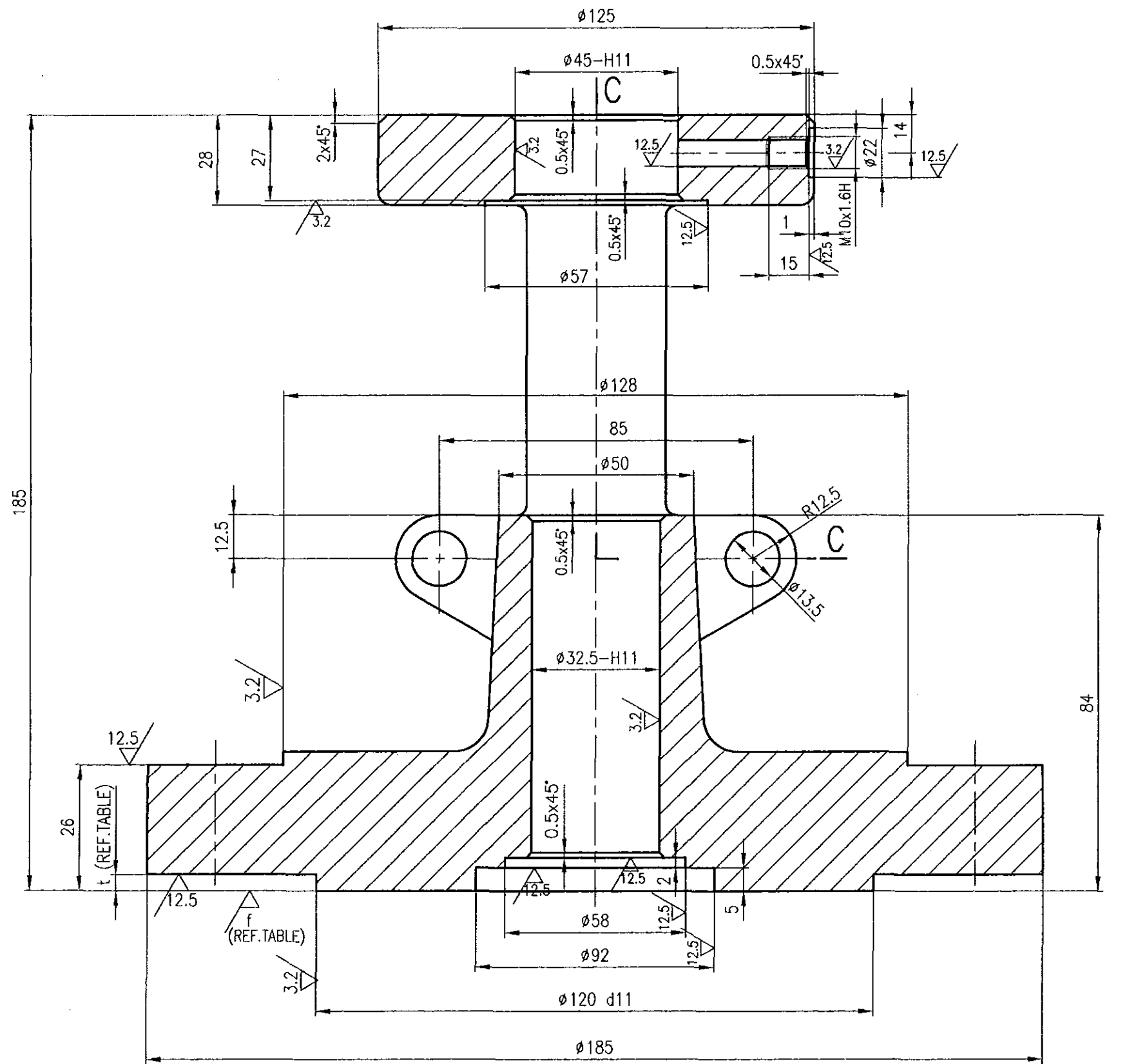
ALL DIMENSIONS ARE IN MILLIMETRES. FOR TOLERANCES OF UNTOLERANCED DIMENSIONS DURING MANUFACTURE REFER RELEVANT QCP / QP

12.5 3.2

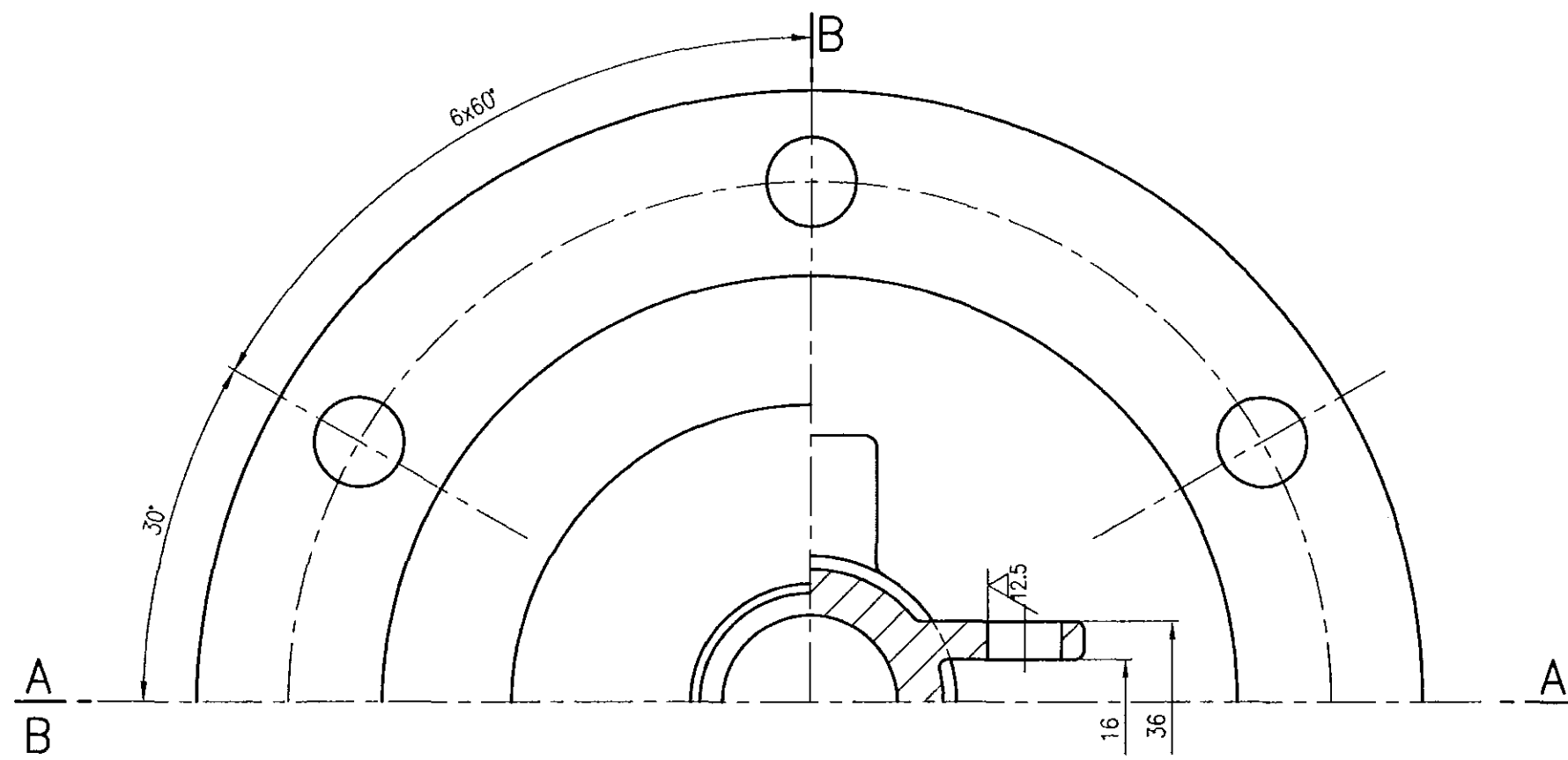
∅30-∅50 H11	+0.160 0
∅120 d11	-0.120 -0.340

SECTION-AA

SECTION-BB



SECTION-CC



SL No.	t	f	MATL CODE	MATL SPECN	HEAT TREATMENT	SCRAP SORT	NET WT (kg)	GROSS WT (kg)	DRAWING No	ITEM No
09	2±0.05	1.6	92 200 510	ASTM A216 WCB-CERTIFY	NORMALISED	10	6.28	9.8	2.V.K987.06255 931094520000	05
08	2±0.05	3.2	92 200 510	ASTM A216 WCB-CERTIFY	NORMALISED	10	6.28	9.8	2.V.K977.06255 931093740000	05
07	2±0.05	3.2	92 200 510	ASTM A216 WCB-CERTIFY	NORMALISED	10	6.28	9.8	2.V.K838.06255 931080600000	05
06	2±0.05	3.2	92 200 579	ASTM A351 CF8M-CERTIFY	S H	46	6.28	9.8	2.V.N374.06255/01 931069290000	05
05	2±0.05	3.2	92 200 578	ASTM A351 CF8-CERTIFY	S H	46	6.28	9.8	2.V.N363.06255/01 931069280000	05
04	2±0.05	3.2	92 200 513	ASTM A217 WC9-CERTIFY	N & T	20	6.28	9.8	2.V.N262.06255/01 931069270000	05
03	2±0.05	3.2	92 200 512	ASTM A217 WC6-CERTIFY	N & T	20	6.28	9.8	2.V.N261.06255/01 931069260000	05
02	5	12.5	92 200 511	ASTM A216 WCC-CERTIFY	NORMALISED	10	6.28	9.8	2.V.N260.06255/01 931069250000	05
01	5	12.5	92 200 510	ASTM A216 WCB-CERTIFY	NORMALISED	10	6.28	9.8	2.V.N328.06255/01 931069240000	05

CAUTION: The information on this document is the property of BHARAT HEAVY ELECTRICALS LTD. It must not be used directly or indirectly in any way detrimental to the interest of the company.

TYPE OF PRODUCT OR NAME OF CUSTOMER/PROJECT: DRAWING RETRACED WITH REV. 04 ON 14.06.99 (REF. DCN:CS:0690)

DEPT	VL	SCALE	WEIGHT (KG)	REFERENCE INFORMATION	NO. OF ITEMS
320		NTS	REFER TABLE	CAD REF: C206255 C206099R	
TITLE: YOKE COVER (2"-300C GV HW)			CARD CODE: U 01	DRAWING NO.: 2-V-0000-06255	REV: 04

REV 04	DATE 14.06.99	ALTERED K.P.LEON
ZONE	SL.NUMBER 09 INCLUDED.	

