

DRAWING NO. 2-V-0000-06188/04

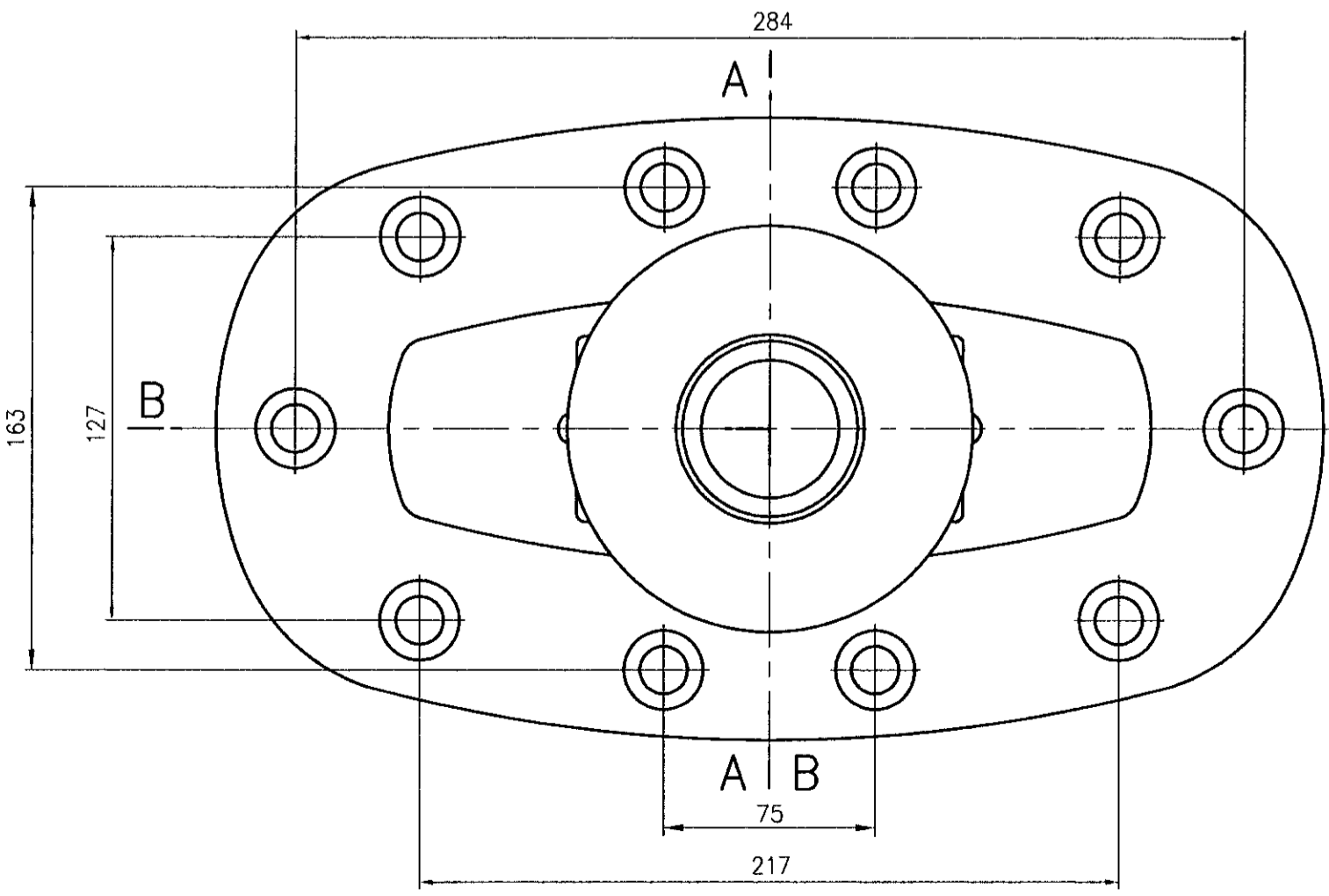
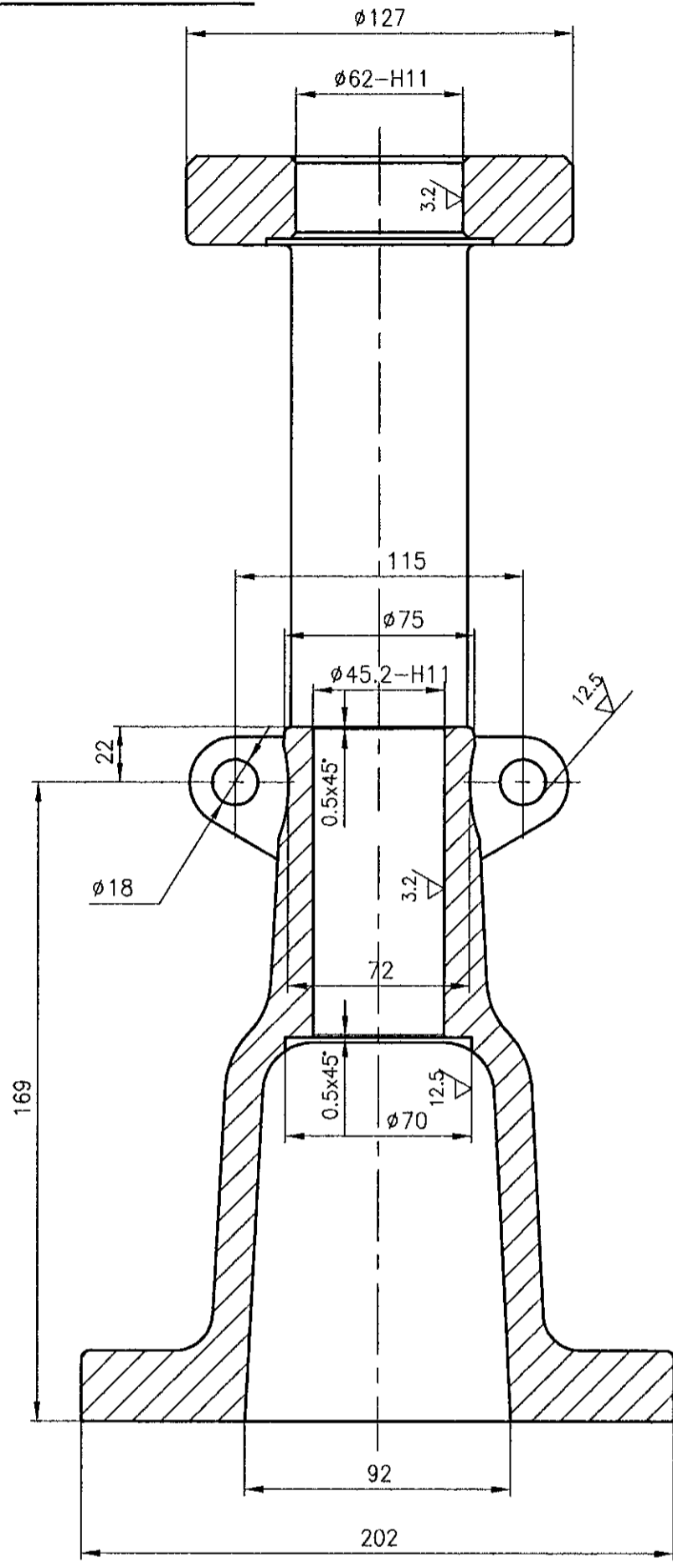
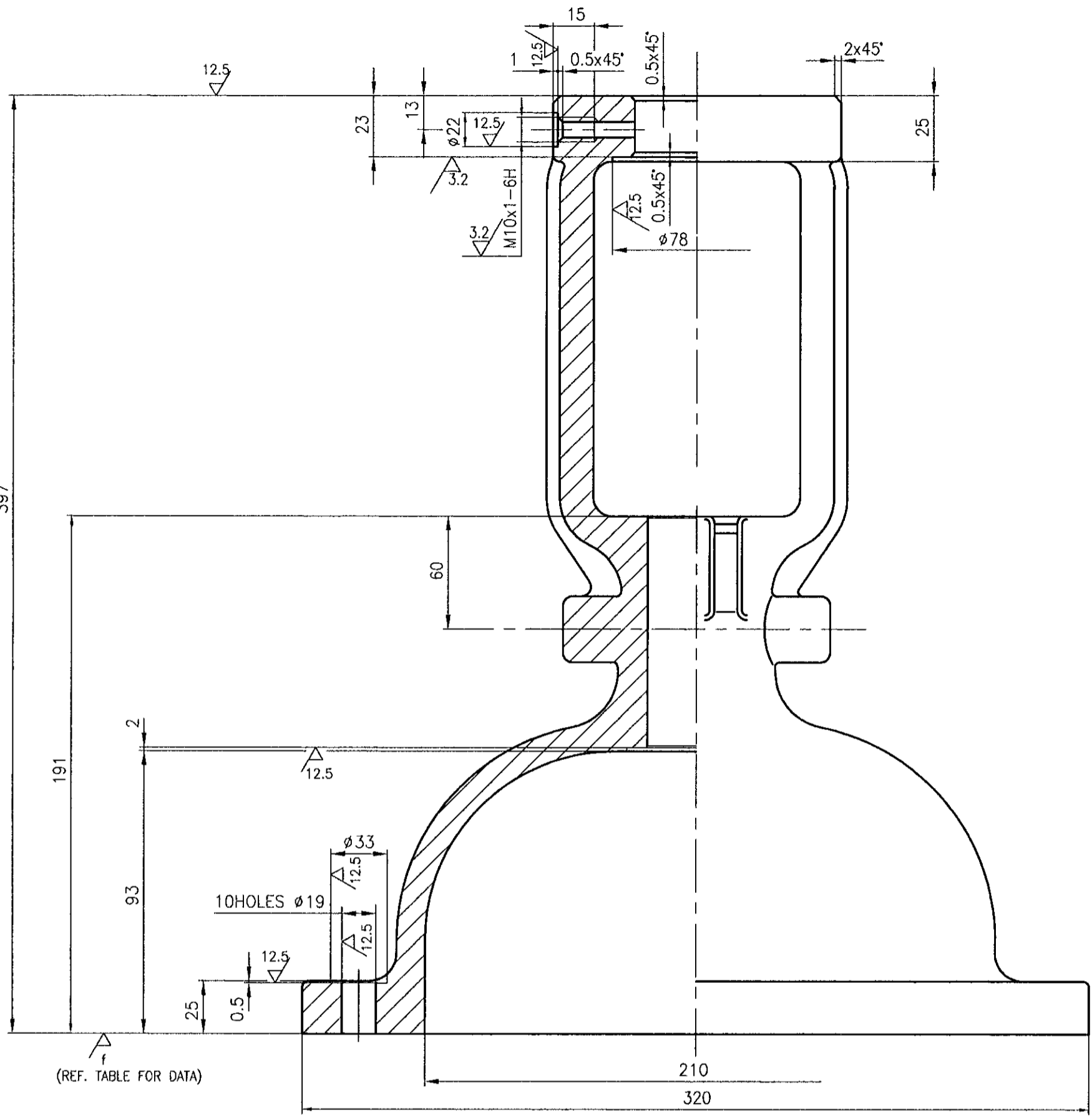
ALL DIMENSIONS ARE IN MILLIMETRES. FOR TOLERANCES OF UNTOLERANCED DIMENSIONS DURING MANUFACTURE REFER RELEVANT QCP / QP

SECTION-BB

SECTION-AA

12.5 / 3.2

∅45.2-H11	+0.160
	0
∅62-H11	+0.190
	0



SL No.	f	DIMENSIONS	MATL CODE	MATL SPECN	HEAT TREATMENT	SCRAP SORT	NET WT (kg)	GROSS WT (kg)	DRAWING No. COMP. CODE	ITEM No
10	1.6	92 008 490	A216 WCB CERTIFY	NR	10	19.2	23.1	2.V.K983.06188 931093920000		06
09	1.6	92 200 421	A216 WCC CERTIFY	NR	10	19.2	23.1	2.V.K975.06188 931094150000		06
08	3.2	92 200 894	A352 LCB CERTIFY	NT	10	19.2	23.1	2.V.M770.06188 930182040000		06
07	3.2	92 200 862	A351 CF8C CERTIFY	SH	46	19.2	23.1	2.V.N223.06188 931078670000		06
06	3.2	92 200 591	A351 CF8M CERTIFY	SH	46	19.2	23.1	2.V.N339.06188 931066390000		06
05	3.2	92 200 592	A351 CF8 CERTIFY	SH	46	19.2	23.1	2.V.N284.06188 931066380000		06
04	3.2	92 200 423	A217 WC9 CERTIFY	N & T	20	19.2	23.1	2.V.N524.06188 931066370000		06
03	3.2	92 200 422	A217 WC6 CERTIFY	N & T	20	19.2	23.1	2.V.N523.06188 931066360000		06
02	3.2	92 200 421	A216 WCC CERTIFY	NR	10	19.2	23.1	2.V.N522.06188 931066350000		06
01	3.2	92 008 490	A216 WCB CERTIFY	NR	10	19.2	23.1	2.V.N204.06188 931066340000		06

CAUTION: The information on this document is the property of BHARAT HEAVY ELECTRICALS LTD. It must not be used directly or indirectly in any way detrimental to the interest of the company.

TYPE OF PRODUCT OR NAME OF CUSTOMER/PROJECT: DRAWING RETRACED WITH REV. 04 ON 10.06.99

DEPT	VL	SCALE	WEIGHT (KG)	REFERENCE INFORMATION	NO. OF ITEMS
CODE	320	NTS.	REF.TABLE	CAD REF: C206188	
TITLE	Yoke cum BONNET (6"-150C GV HW)		CARD CODE	DRAWING NO.	REV
	U 01			2-V-0000-06188	04

SL No. 10 INCLUDED.