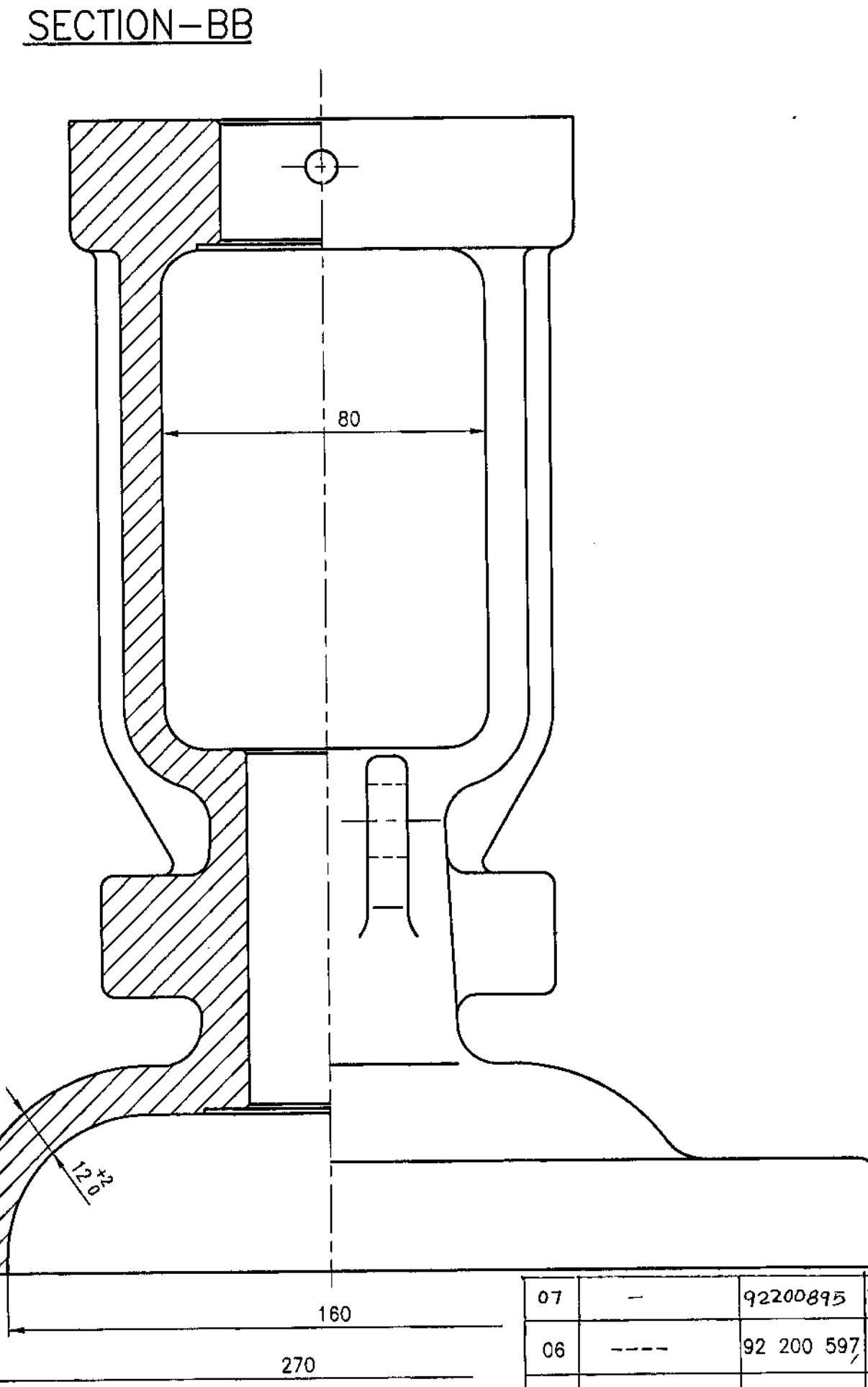
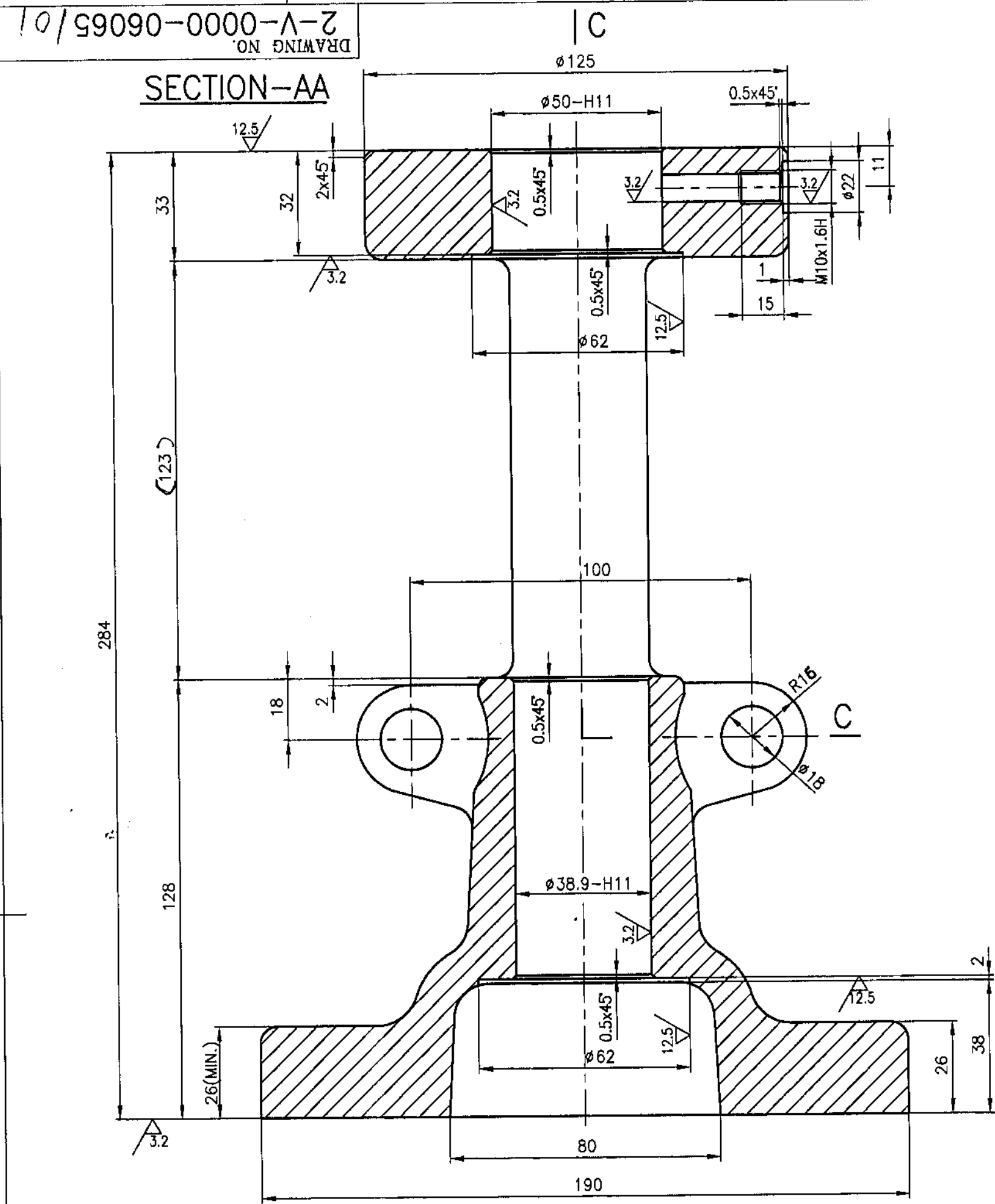
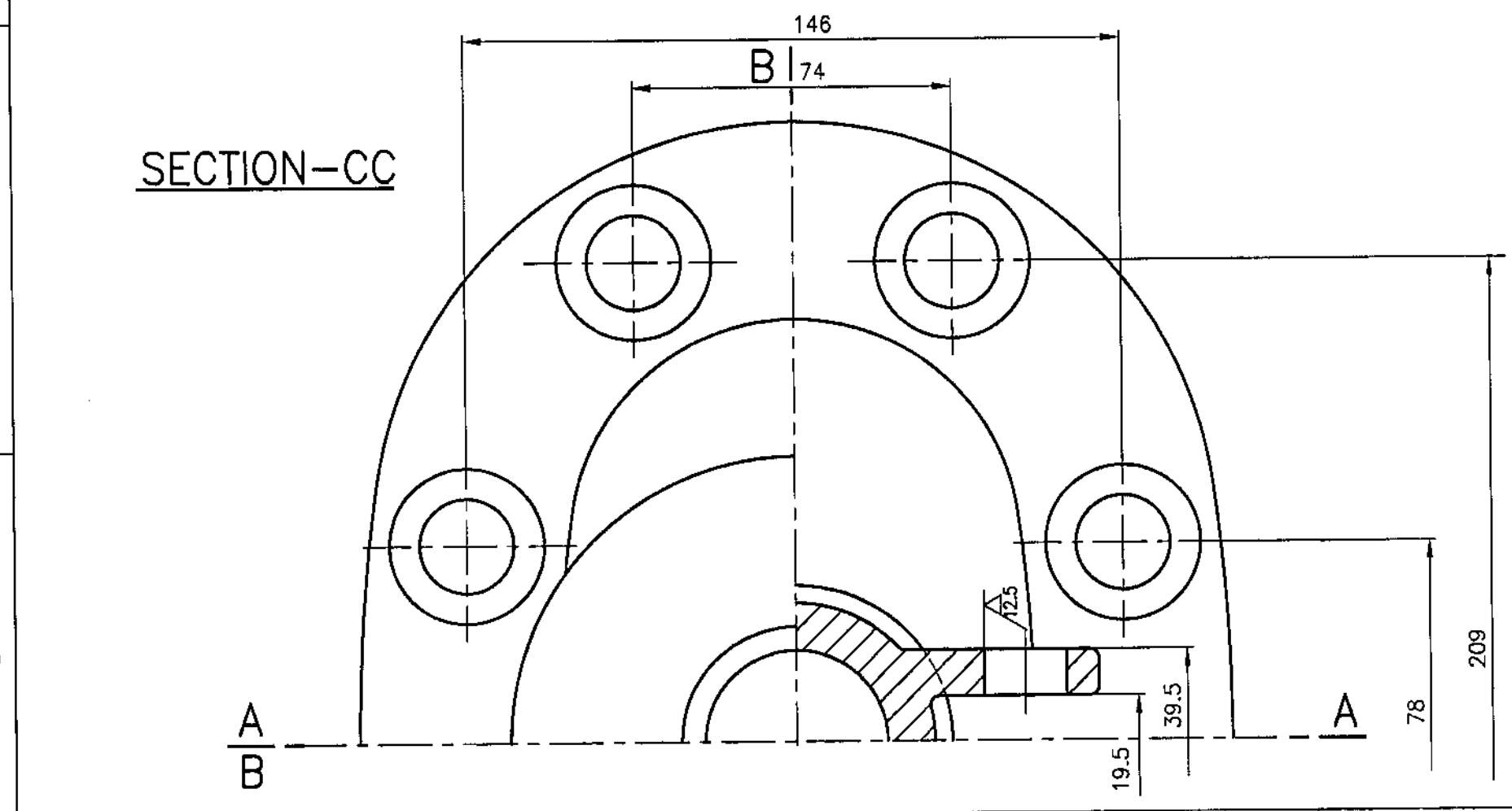


ALL DIMENSIONS ARE IN MILLIMETRES. FOR TOLERANCES OF UNTOLERANCED DIMENSIONS DURING MANUFACTURE REFER RELEVANT QCP / QP



✓ / 12.5 / 3.2	
∅38.9-H11	+0.160
	0
∅50-H11	+0.160
	0



REV	DATE	ALTERED	BY	CHKD	APPD	DESCRIPTION	MATL CODE	MATL SPECN	HEAT TREATMENT	SCRAP SORT	NET WT (kg)	GROSS WT (kg)	DRAWING No	ITEM No
07	---	92200895	A352 LCB CERTIFY	NT	10	B-4	11.2	2-V.M769-06065 931082000000						06
06	----	92 200 597	A351 CF8M CERTIFY	S H	46	8.4	11.2	2.V.N438.06065 931071110000						06
05	----	92 200 596	A351 CF8 CERTIFY			8.4	11.2	2.V.N285.06065 931071100000						06
04	----	92 200 595	A217 WC9 CERTIFY	NORMALISED & TEMP	20	8.4	11.2	2.V.N297.06065 931071090000						06
03	----	92 200 594	A217 WC6 CERTIFY			8.4	11.2	2.V.N298.06065 931071080000						06
02	----	92 200 593	A216 WCC CERTIFY	NORMALISED	10	8.4	11.2	2.V.N295.06065 931071070000						06
01	----	92 200 355	A216 WCB CERTIFY	NORMALISED	10	8.4	11.2	2.V.N294.06065 931071060000						06

TYPE OF PRODUCT OR NAME OF CUSTOMER/PROJECT

BHARAT HEAVY ELECTRICALS LTD.,
UNIT: HIGH PRESSURE BOILER PLANT.
TIRUCHIRAPALLI-620014.

DRN	A.R.CHANDRAN	SIGN	07.09.96	NO.OF VAR.
CHD	N.DHANAPAL	SIGN	07.09.96	
APPD	A.VISWANATHAN	SIGN	7.9.96	

DEPT V L / CODE 320 / SCALE NTS / WEIGHT (KG) 8.4 / REFERENCE INFORMATION CAD REF: C206065 / NO. OF TUBES

TITLE: **YOKE CUM BONNET**
(4"-150C GV NSG)

CARD CODE U 01 / DRAWING NO. 2-V-0000-06065 / REV 01

REV	DATE	ALTERED	BY
01	14-07-97	N.D.PAL	
ZONE	1. SL NO. 7 INCLUDED		

CAUTION: The information on this document is the property of BHARAT HEAVY ELECTRICALS LTD. It must not be used directly or indirectly in any way detrimental to the interest of the company.

