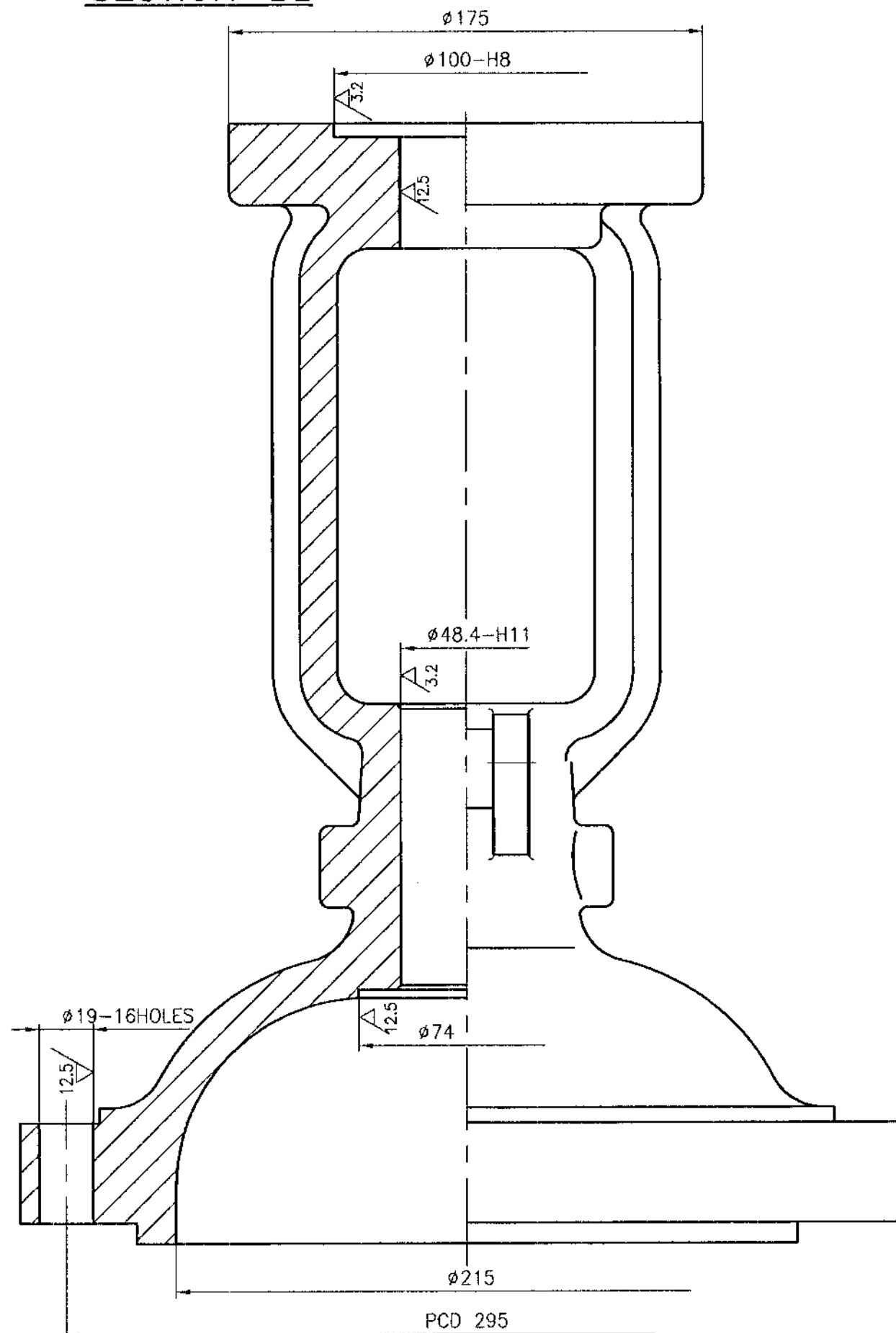
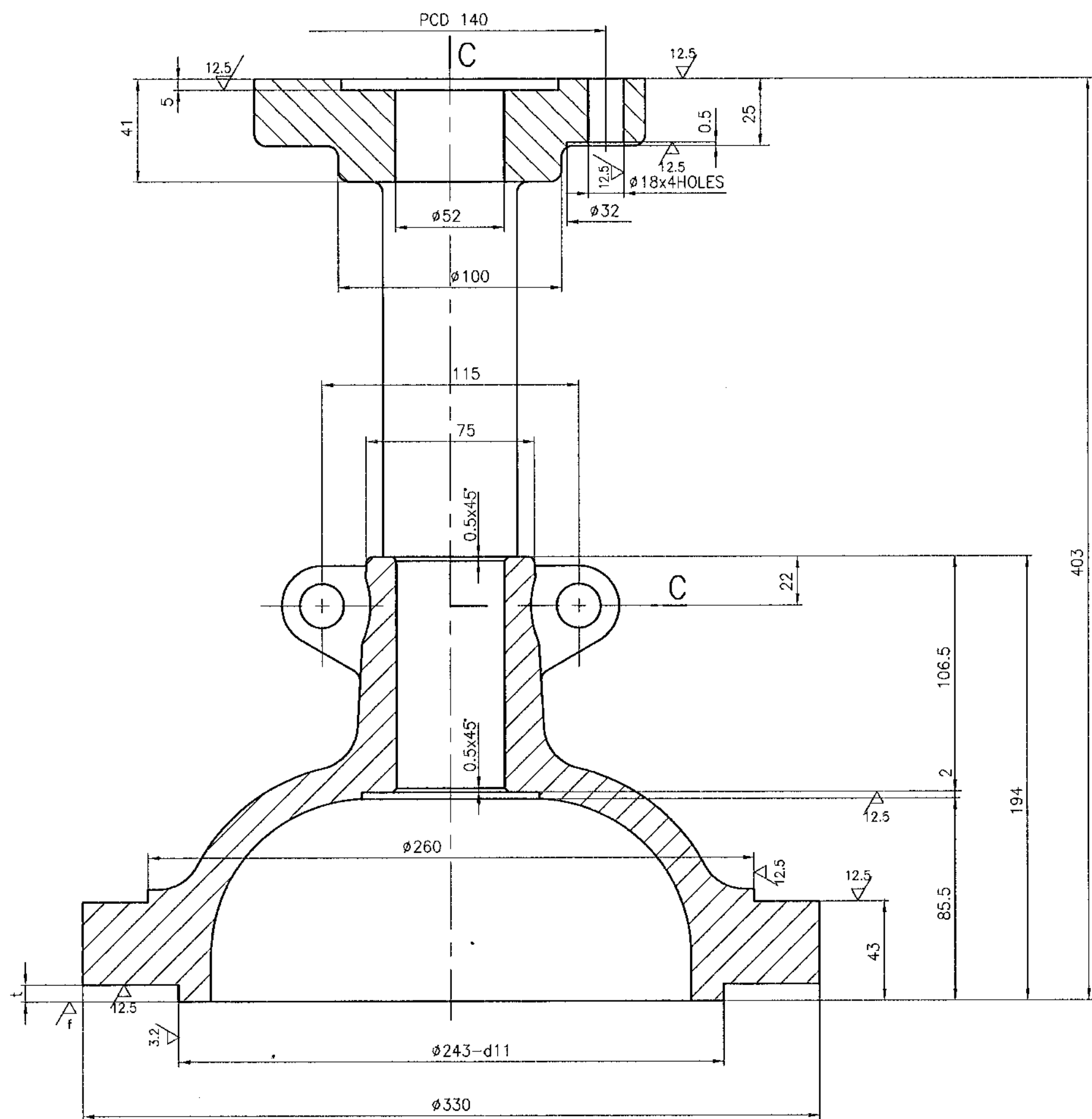


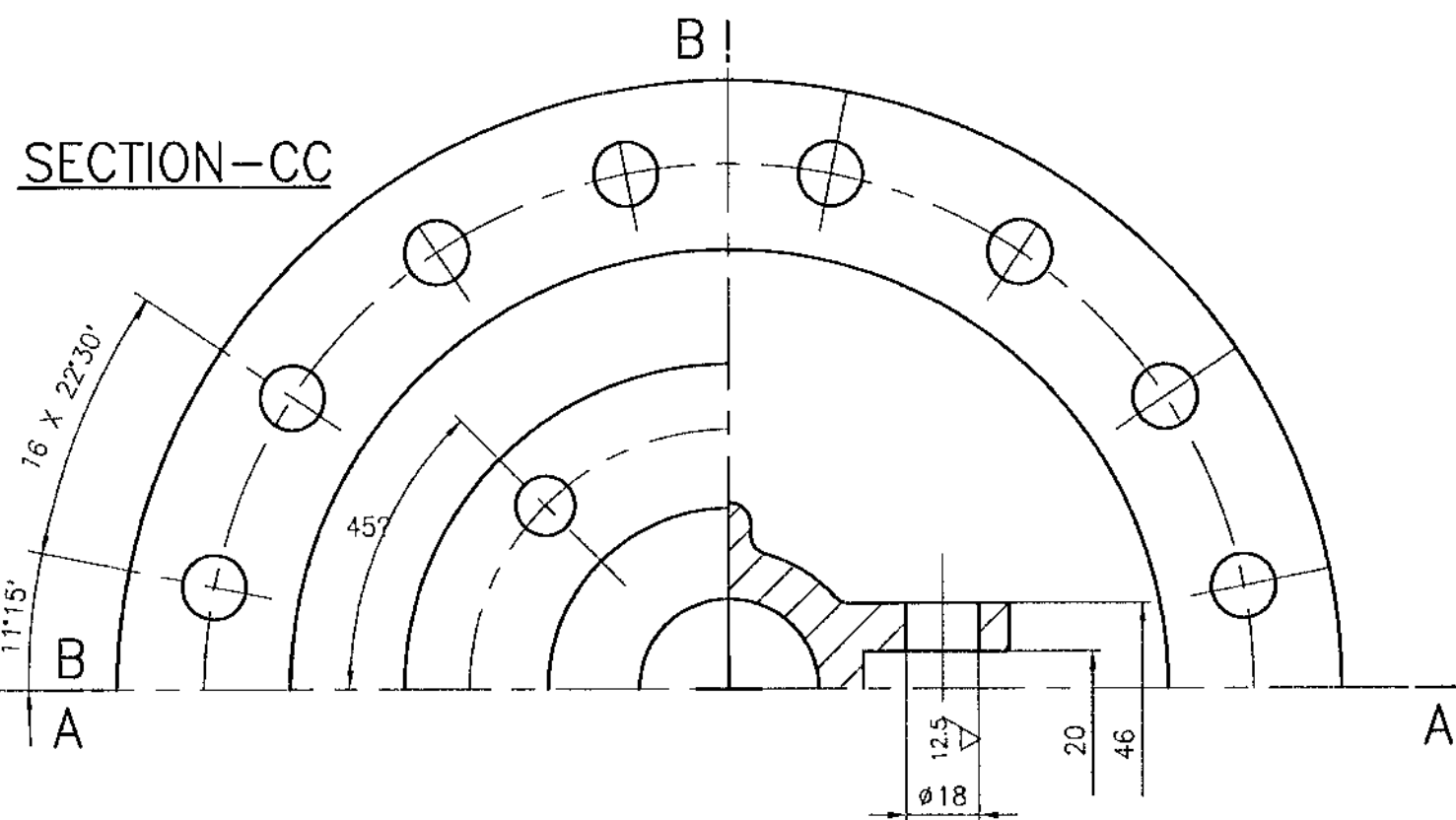
SECTION-AA

SECTION-BB

ALL DIMENSIONS ARE IN MILLIMETRES. FOR TOLERANCES OF UNTOLERANCED DIMENSIONS DURING MANUFACTURE REFER RELEVANT QCP / QP



∅48.4-H11	+0.160
	0
∅100-H8	+0.054
	0
∅243-d11	-0.170
	-0.460



REV	DATE	ALTERED	BY	REASON	QTY	WEIGHT (KG)	GROSS WT (KG)	DRAWING No	ITEM No	
06	2±0.05	3.2	---	A217 WC6 CERTIFY	N & T	20	33.5	40.5	2.V.N123.05994 931101410000	06
05	2±0.05	3.2	---	A351 CF8M CERTIFY	S H	46	33.5	40.5	2.V.N970.05994 931099350000	06
04	2±0.05	1.6	---	A216 WCB CERTIFY	NORMALISED	10	33.5	40.5	2.V.J002.05994 931096050000	06
03	2±0.05	3.2	---	A217 WC9 CERTIFY	N & T	20	33.5	40.5	2.V.N356.05994 931060930000	06
02	2±0.05	3.2	---	A216 WCB CERTIFY	NORMALISED	10	33.5	40.5	2.V.N322.05994 931060920000	06
01	5	12.5	---	A216 WCB CERTIFY	NORMALISED	10	33.5	40.5	2.V.N319.05994 931060910000	06

SL No.	t	f	MATL CODE	MATL SPECN	HEAT TREATMENT	SCRAP SORT	NET WT (kg)	GROSS WT (kg)	DRAWING No	ITEM No
--------	---	---	-----------	------------	----------------	------------	-------------	---------------	------------	---------

CAUTION: The information on this document is the property of BHARAT HEAVY ELECTRICALS LTD. It must not be used directly or indirectly in any way detrimental to the interest of the company.

TYPE OF PRODUCT OR NAME OF CUSTOMER/PROJECT: DRAWING RETRACED WITH REV.03 ON 18.01.2001

BHARAT HEAVY ELECTRICALS LTD., UNIT: HIGH PRESSURE BOILER PLANT, TIRUCHIRAPALLI - 620014.

DRN: K.P.LEON, SIGN: [Signature], DATE: 18.01.01, NO. OF VAR.: [Blank]

CHD: T.R.RAMAMURTHY, SIGN: [Signature], DATE: 18.01.01, NO. OF VAR.: [Blank]

APPD: K.S.RAMAN, SIGN: [Signature], DATE: 18.01.01, NO. OF VAR.: [Blank]

DEPT: VL, SCALE: NTS, WEIGHT (KG): -

REFERENCE INFORMATION: CAD REF: C205994, C205901R

TITLE: YOKE CUM BONNET (6"-300C GV MO)

CARD CODE: U 01, DRAWING NO.: 2-V-0000-05994, REV: 03

REV	DATE	ALTERED	BY	REASON
03	18.01.01	CHD & APPD	[Signature]	

SLNUMBER 06 INCLUDED