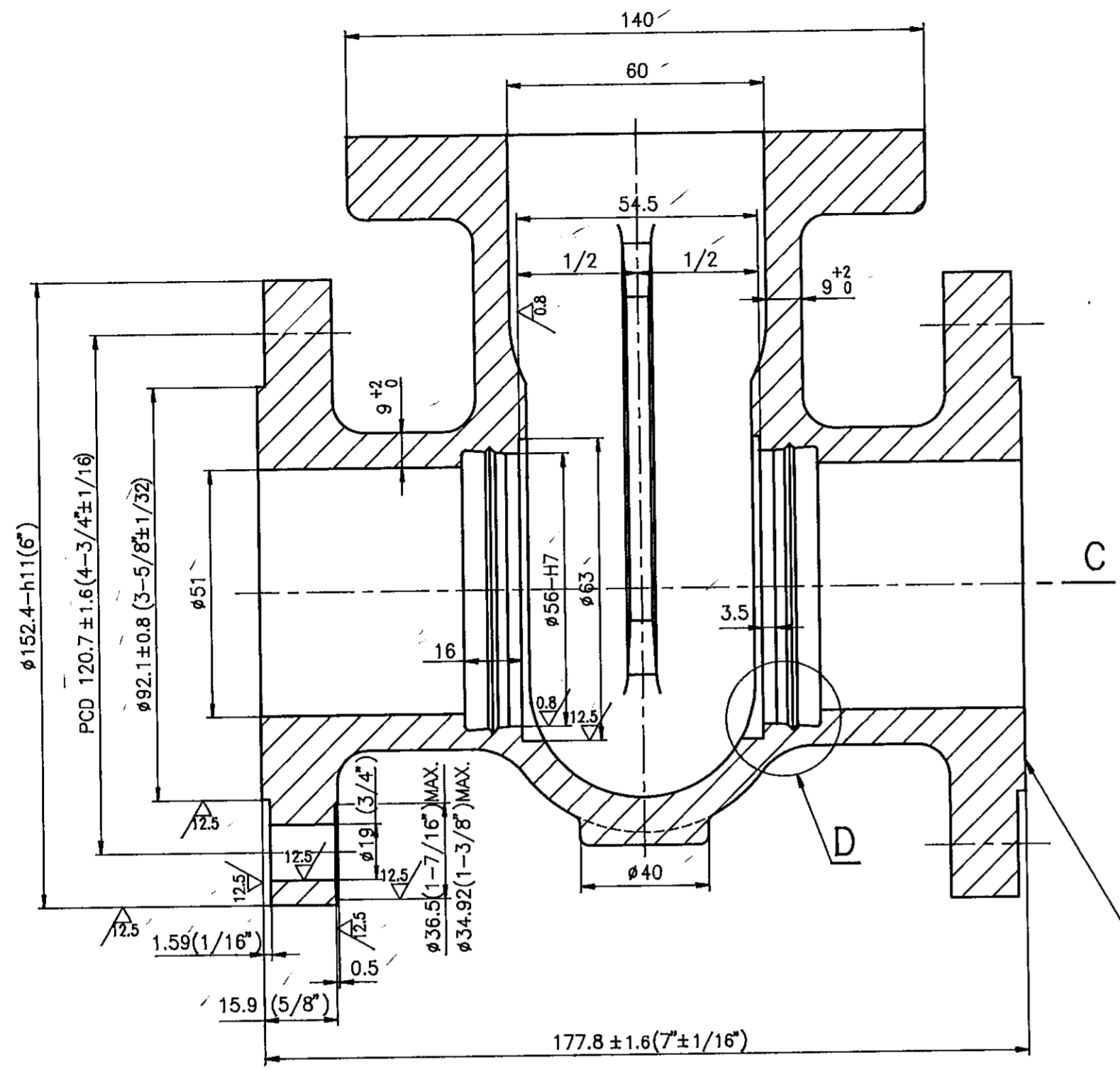
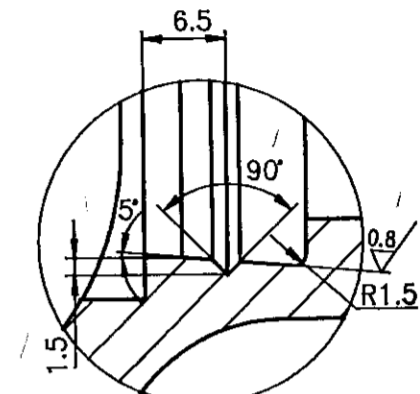
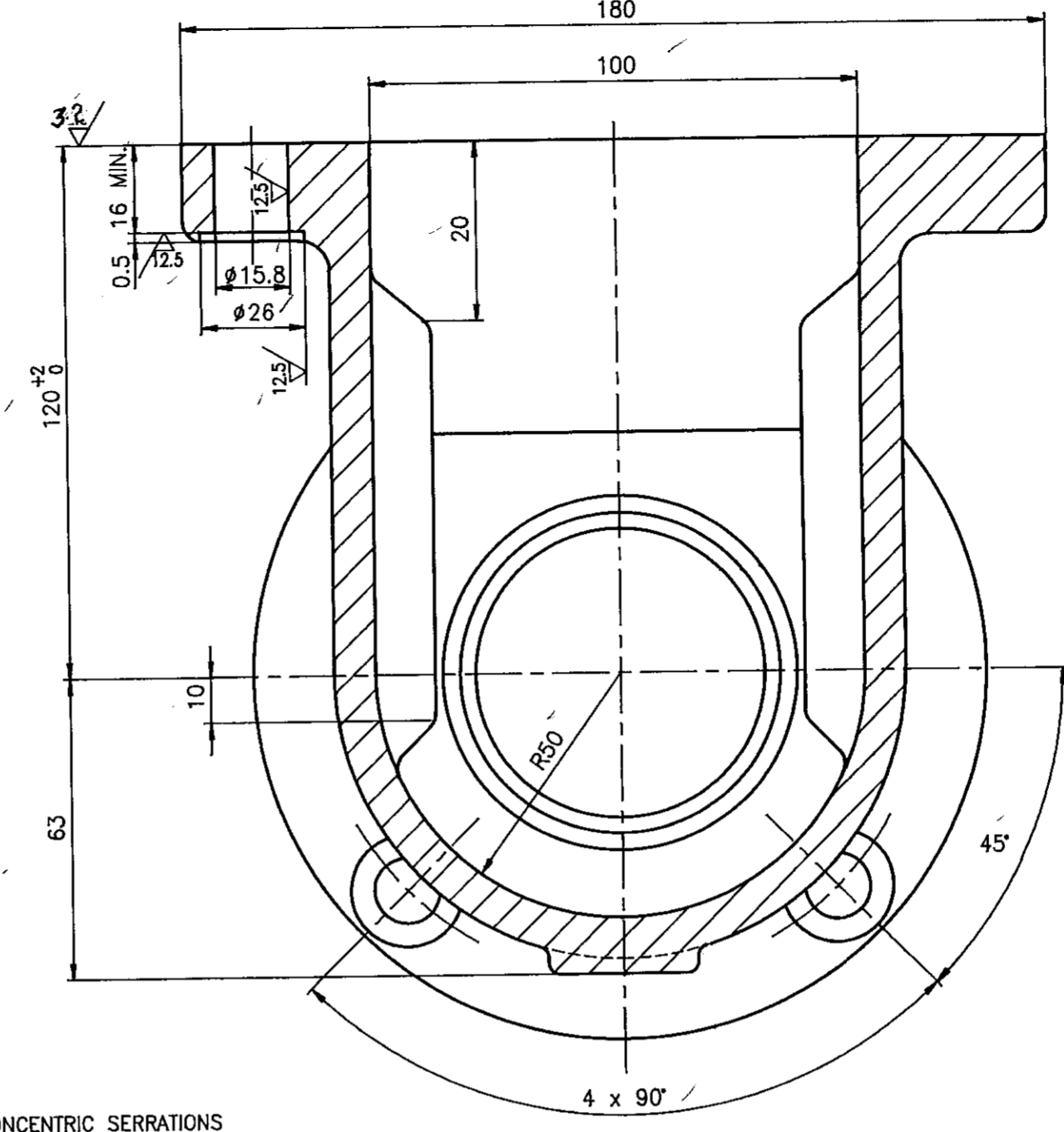


✓ / 12.5 / 3.2 / 0.8 /

SECTION-AA



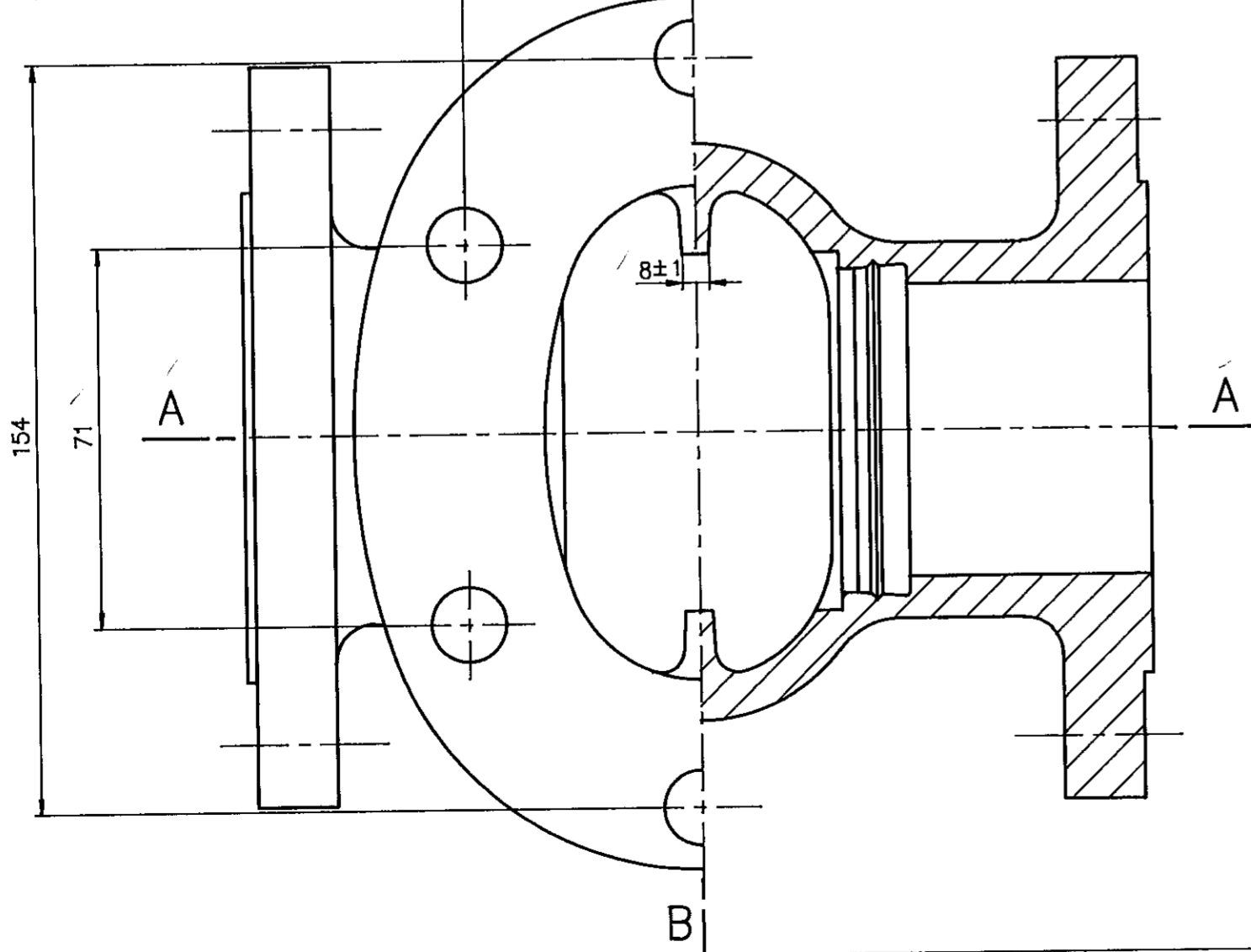
SECTION-BB



DETAIL-D

SPRIAL OR CONCENTRIC SERRATIONS WITH 45 TO 55 GROOVES PER INCH (25.4mm) WITH A TOOL RADIUS OF 1.5 mm APPROX.

SECTION-CC



SL. No.	DESCRIPTION	MATL CODE	MATL SPECN	HEAT TREATMENT	SCRAP SORT	NET WT (kg)	GROSS WT (kg)	DRG NO.	ITEM No
02	2VN47205873R/01	92 200555	ASTM A351 CF8M ATTEST	SH	40	11.1	14.1	2VN472-05899 931066140000	01
01	CASTING DRG No. 2VN27705873R/01	92 200 293	ASTM A351 CF8 ATTEST	SH	40	11.1	14.1	2VN277-05899 931057550000	01

TYPE OF PRODUCT
OR NAME OF
CUSTOMER/PROJECT

DEPT	V L	SCALE	WEIGHT (KG)	REFERENCE INFORMATION	NO. OF VAR.
320		NTS.	11.1	CAD:C205899	-

REV	DATE	ALTERED	SIGNATURE	DRN	NAME	SIGNATURE	DATE	NO. OF VAR.
01	25-3-96	CHD & APPD	[Signature]	CHD	N.DHANAPAL	[Signature]	12-07-95	-
				APPD	A.VISWANATHAN	[Signature]	12-7-95	-

TITLE: BODY (2" C150)
CARD CODE: U 01
DRAWING NO.: 2-V-0000-05899/01

CAUTION: The information on this document is the property of BHARAT HEAVY ELECTRICALS LTD. It must not be used directly or indirectly in any way detrimental to the interest of the company.

