

FIRST ANGLE PROJECTION

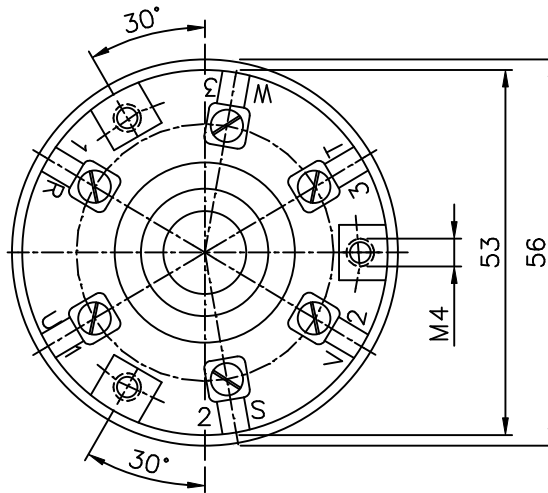
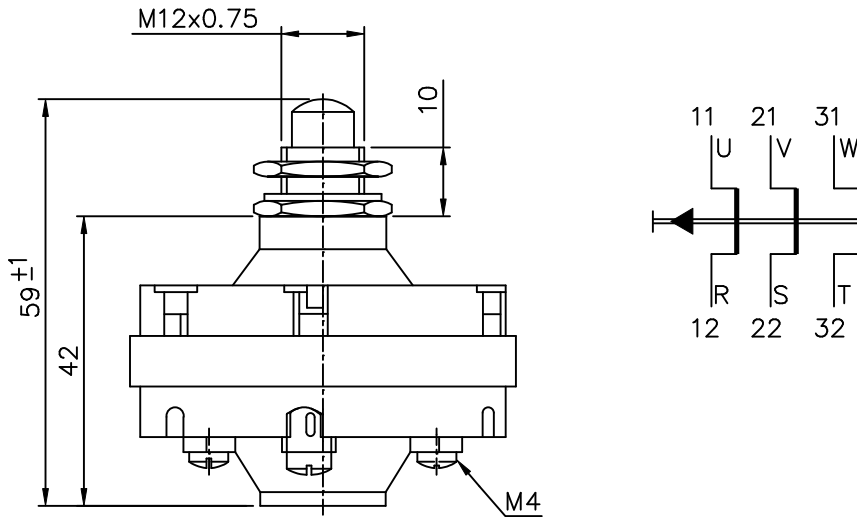
(ALL DIMENSIONS ARE IN mm)

891597/2022/HEP-SWM20903

THE INFORMATION ON THIS DOCUMENT IS THE PROPERTY OF BHARAT HEAVY ELECTRICALS LIMITED IT MUST NOT BE USED DIRECTLY OR INDIRECTLY IN ANY WAY DETRIMENTAL TO THE INTEREST OF THE COMPANY

REV.	DATE	ALTERED	REV.	DATE	ALTERED	ADDITIONAL INFORMATION
		CHECKED	01		CHECKED	STATUS OF DRAWING
		APPROVED			APPROVED	
			DRG. REDRAWN.			DISTRIBUTION OF PRINTS
			(D.C.A. NO. 22043)			
						SWM
						TCX
						1
						3
						1

3 POLE DESIGN WITH NORMALLY OPEN CONTACT
 SWITCH CAPACITY 25 A(10) 380 V ~.
 MAKE-MARQUARDT TYPE-1380.0401



BOTTOM VIEW



5582370-R00-S01 REF. DRG. NO.	65	7525	2729	58	59	34	45	55	56	58	65
	REMARKS	ITEM NO.	DESCRIPTION	STD	MATL. CODE	MATL. SPCN.	UNIT	KG.	UNIT WT.	QTY.	

SIGN. & DATE	28	CARD TYPE-3	28	CARD TYPE-1	28	CARD TYPE-2			
				HAKjr gsoh bysDV&hdYI fyfeVsM HAKsiky BHARAT HEAVY ELECTRICALS LTD. BHOPAL		uke NAME H.L.C.	gLrk SIGN Sd/-	fnuakd DATE 19.09.82	osfj_ dh NO. OF VAR.
						tkapk CKD B.S.R.	Sd/-	22.09.82	
						vuqksfnr APPD R.K.S.	Sd/-	23.09.82	

INVENTORY NO.	foHAKx DEPT	SWE	vu_ Vky_ uki dh Js.kh	UNTOL.DIMS. GR.	vuqjkr SCALE	HAKj fd_xk_ WEIGHT (K.G.)	vis_M&kbZax dk lanHAZ REF. TO ASSY. DRG.	en d_ ITEM NO.	en la;k NO. OF ITEM	
	dksm CODE	409	M	AA 0230208	1:1		5018573	-	001	
	'Ah"AZi@ LIMIT SWITCH (ON LOAD TAP CHANGER)							vkjs[A d_ DRG. NO. 5582370	iqu@REV. 01	
							i="B d_ SOT. No. 01	i="Bksa dh la[NO. OF SHT. 01		