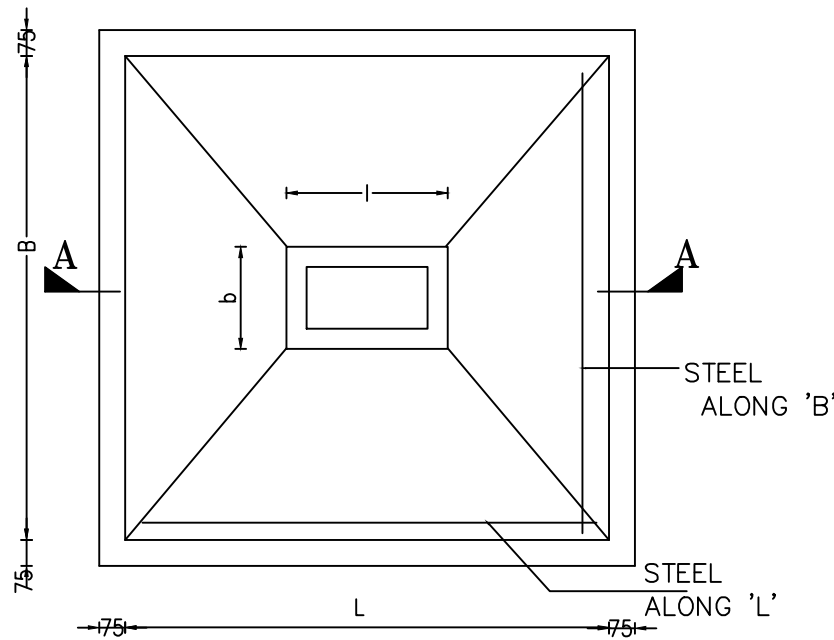
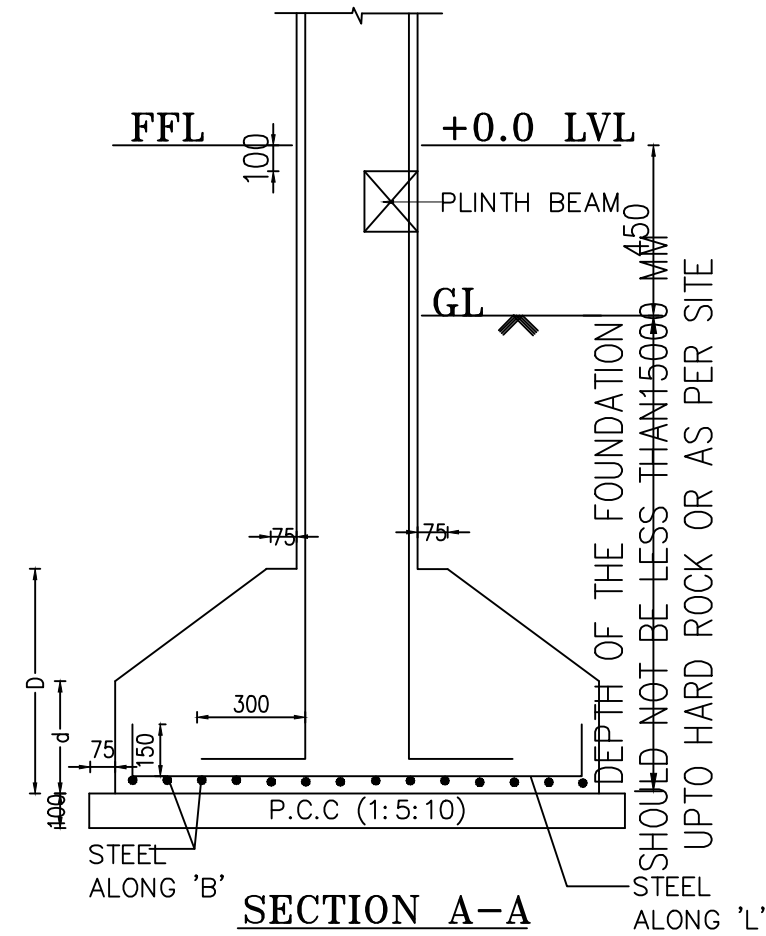


COLOUMN AND FOOTING DETAILS

FOOTING SCHEDULE							
FOOTING TYPE	LENGTH L (MM)	WIDTH B (MM)	d (MM)	D (MM)	FOOTING NOS.	FOOTING REINFT.	
						AST1	AST2
F1	1400	1400	230	450	10	Y10-150C/C.	Y10-150C/C.
F2	1600	1600	230	500	6	Y10-150C/C.	Y10-150C/C.
F3	1900	1900	230	600	4	Y12-150C/C.	Y12-150C/C.



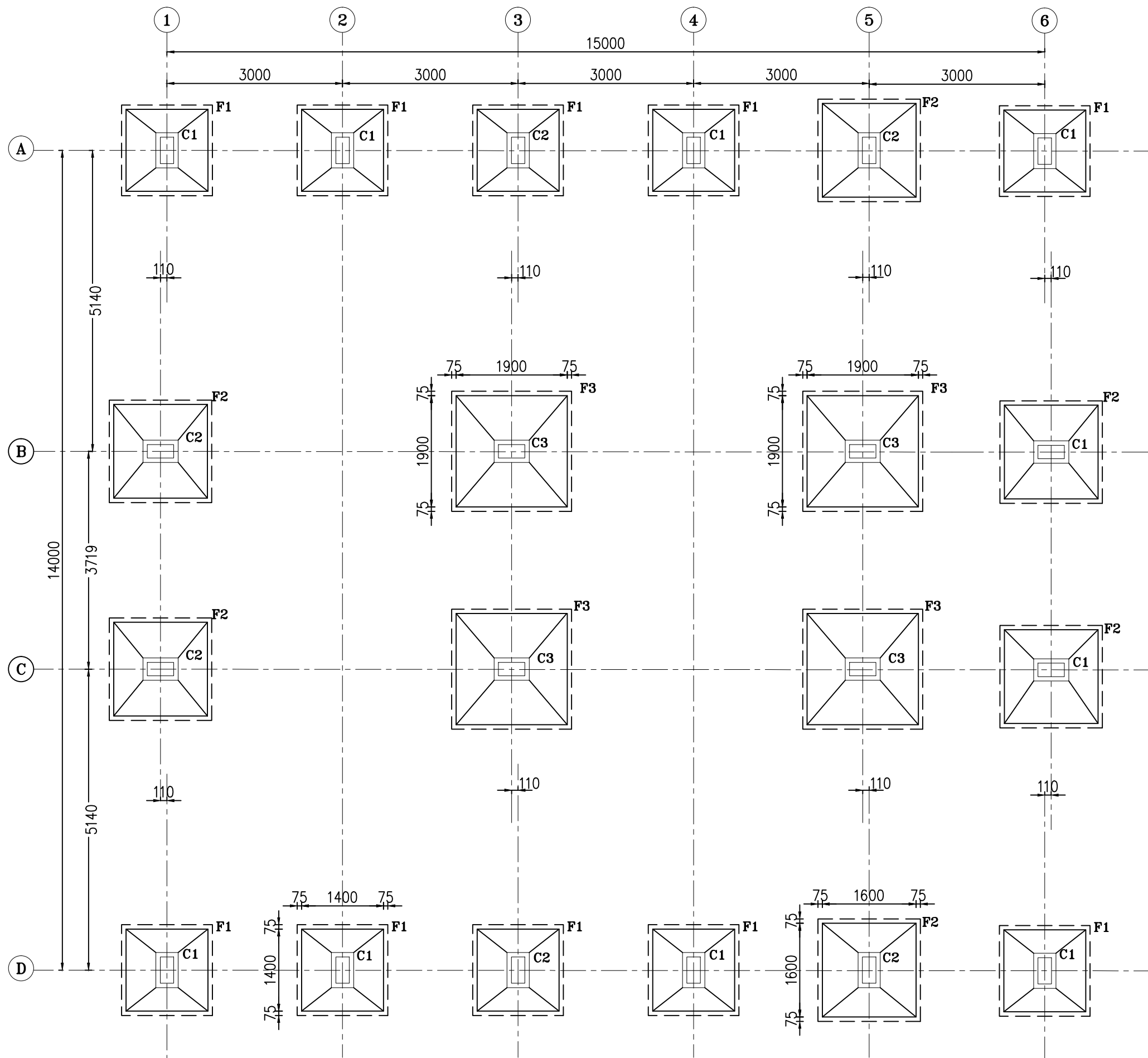
C O L U M N S C H E D U L E			
COLUMN TYPE	COLUMN SIZE (lxb)	COLUMN REINFORCEMENT	Nos.
C1	450X230		10
C2	450X230		6
C3	450X230		4

NOTES:

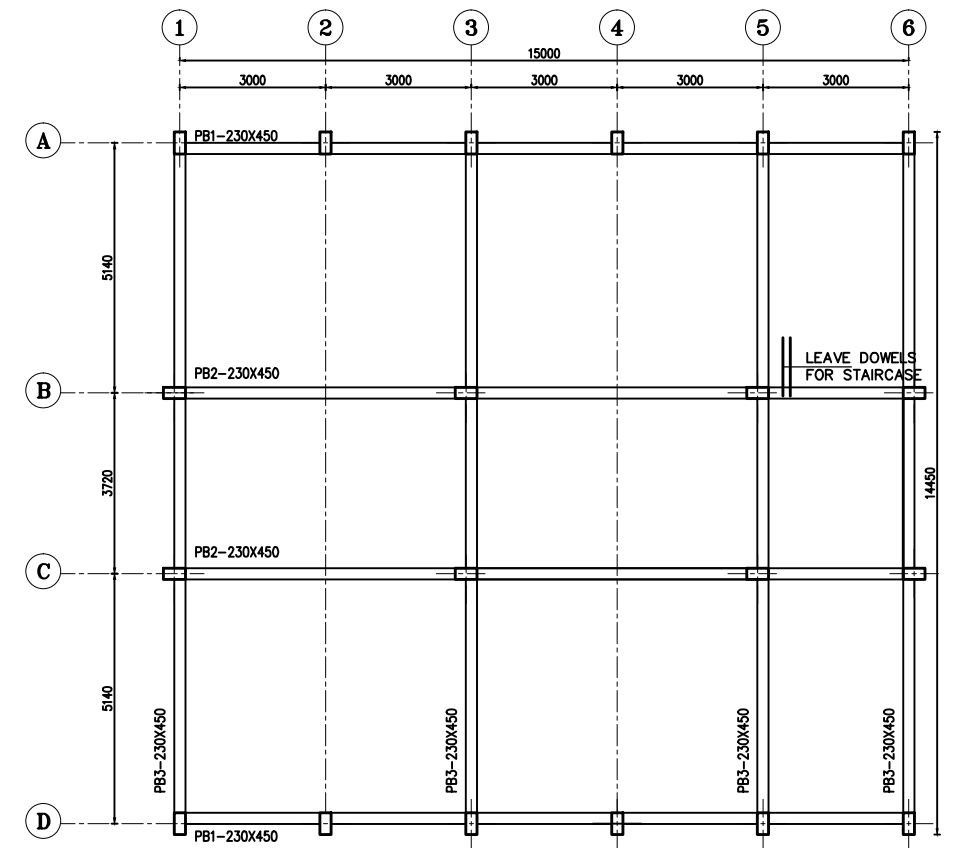
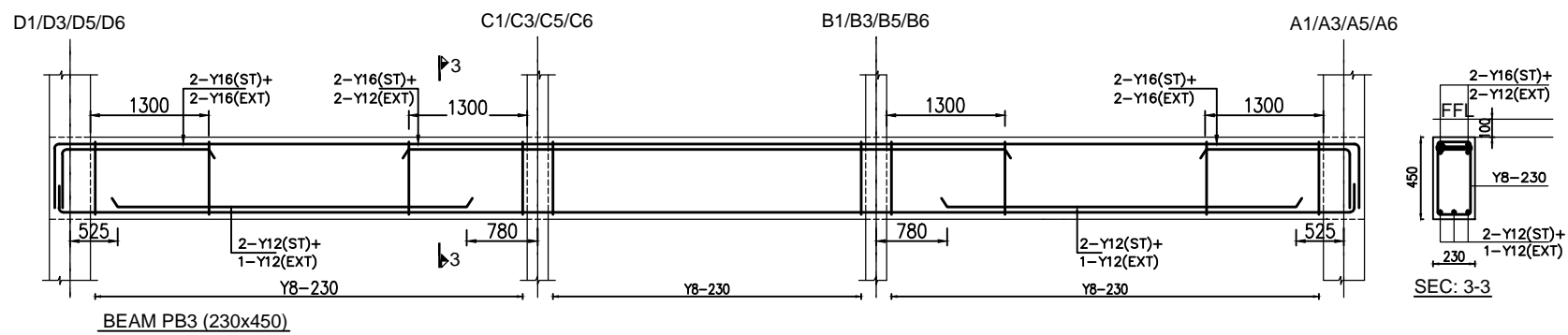
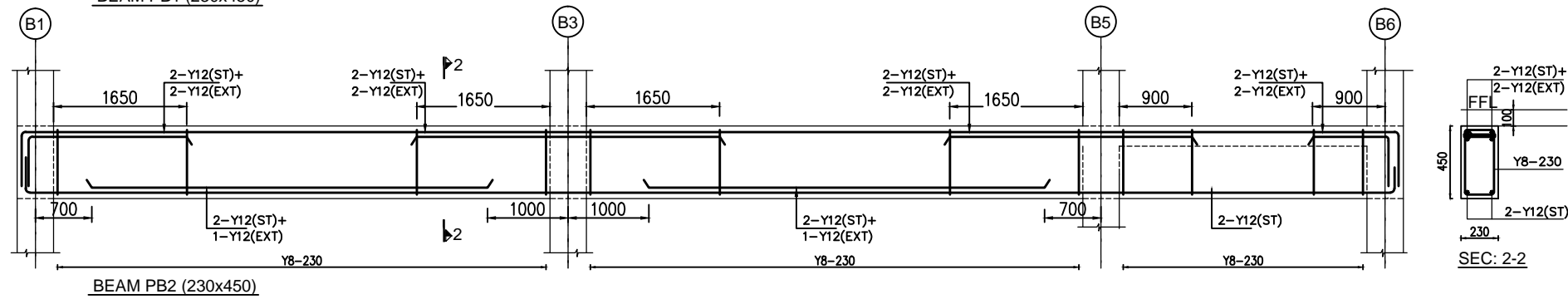
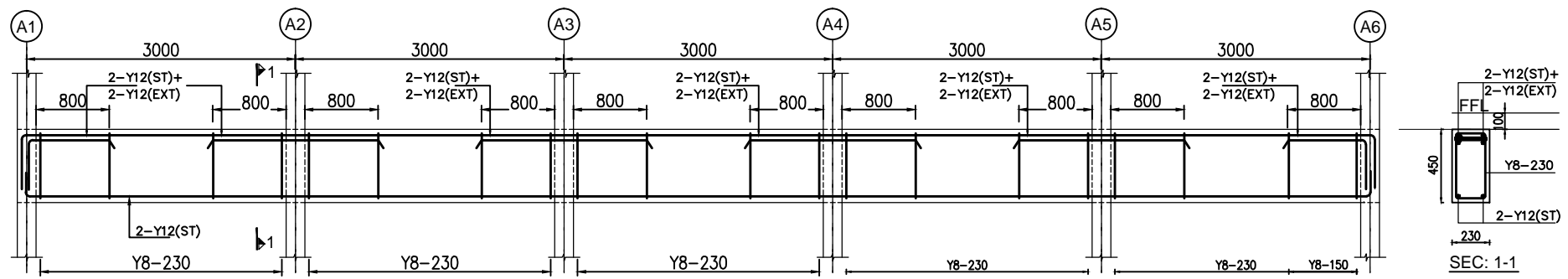
- ALL DIMENSIONS ARE IN MM, AND ALL LEVELS ARE IN METERS. UNLESS OTHERWISE NOTED.
- DON'T SCALE THE DRAWING. FOLLOW THE WRITTEN DIMENSIONS ON
- GRADE OF CONCRETE: -
 FOR FOOTINGS : M25
 COLUMNS : M25
 SLABS & BEAMS : M25
- USE Fe 500 GRADE OF STEEL CONFIRMING TO IS:1786
- CLEAR COVER TO STEEL:
 FOR FOOTINGS : 50mm
 FOR COLUMNS : 40mm
 FOR BEAMS : 30mm
 FOR SLABS : 25mm
- THE SBC OF SOIL SHALL NOT BE LESS THAN 25 T/M² FOUNDING LEVEL
- LOADING: -

TYPE OF FLOOR	SUPER IMPOSED LOAD (KN/M) ²	LIVE LOAD (KN/M) ²	FLOOR FINISHES (KN/M) ²
FIRST FLOOR	1.0	3	1.5

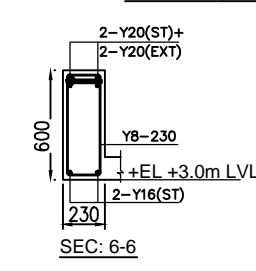
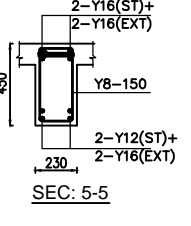
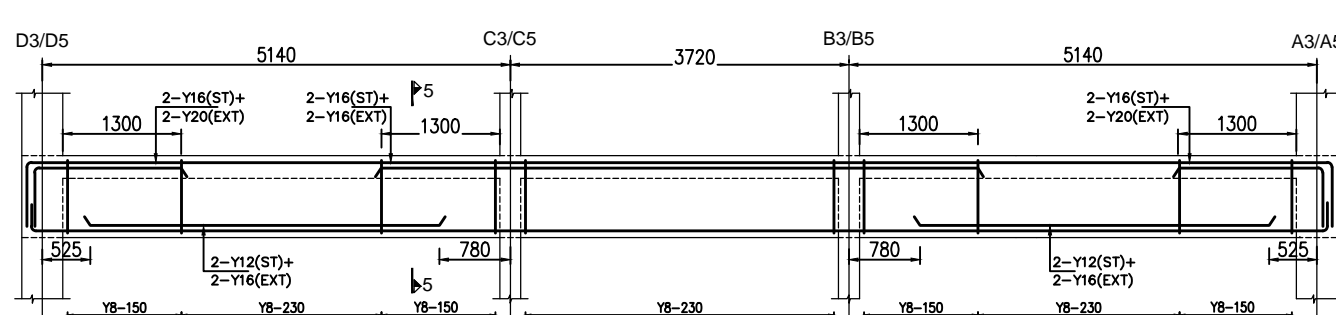
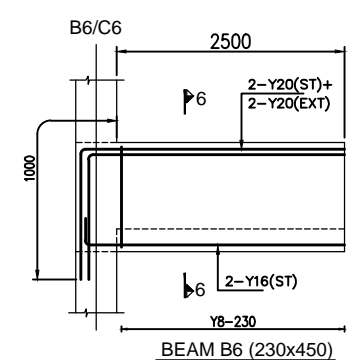
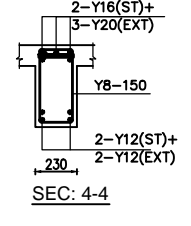
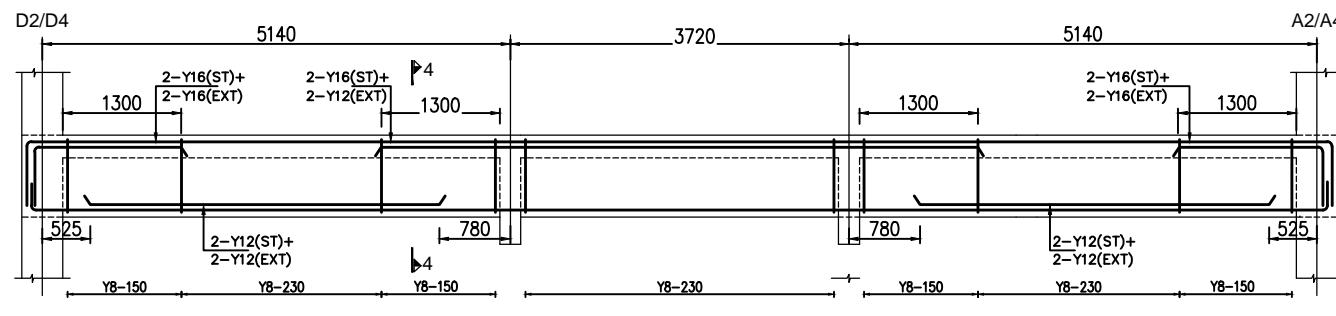
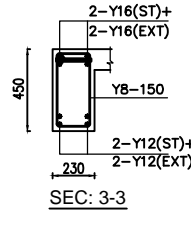
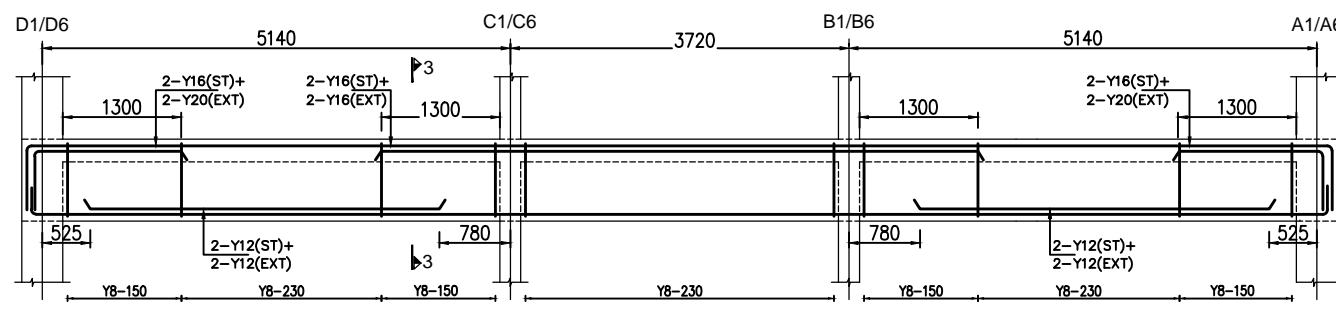
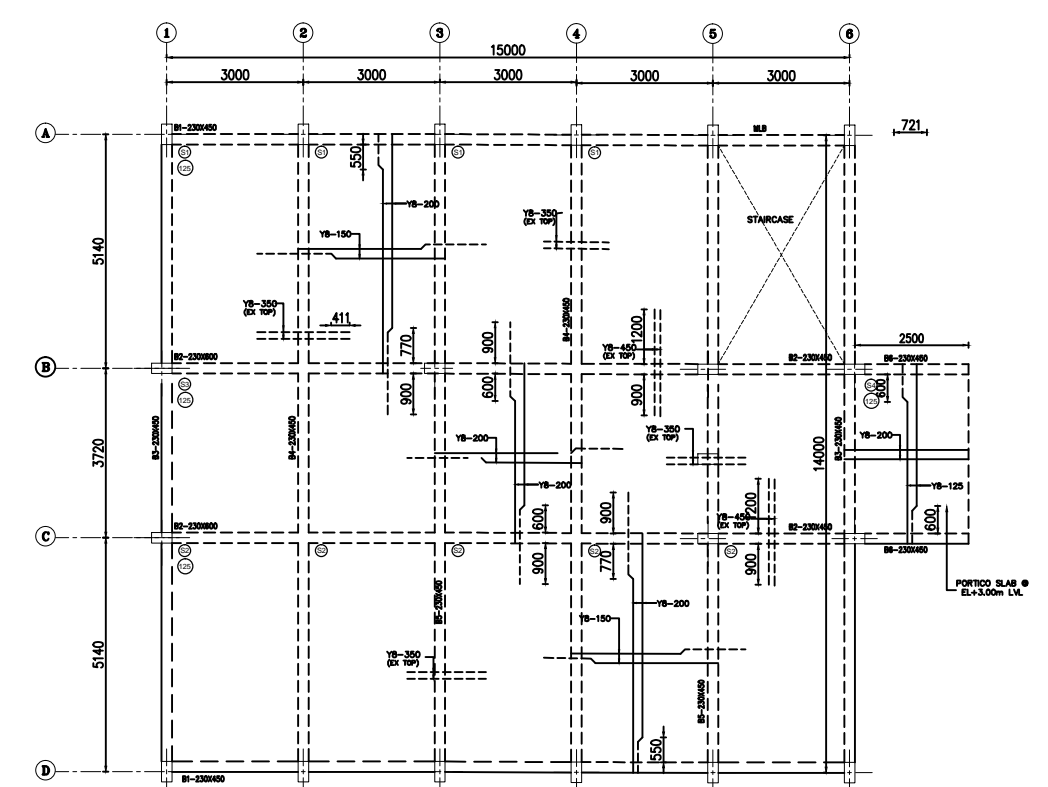
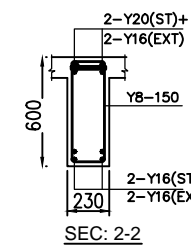
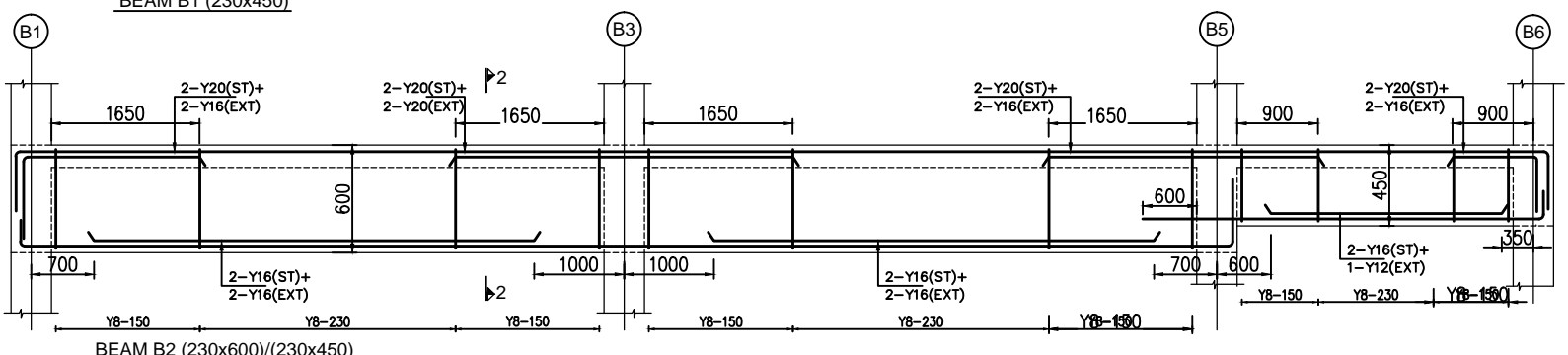
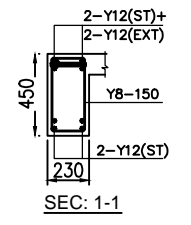
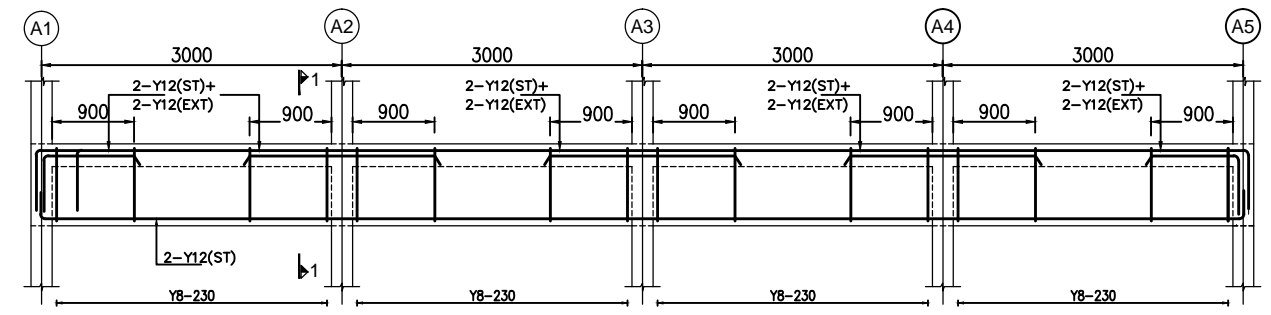
8. DESIGNED FLOORS: -
GF + FIRST FLOOR



COLUMN CENTER LINE PLAN



PLINTH BEAM REINFORCEMENT



GROUND FLOOR ROOF SLAB AND BEAM REINFORCEMENT