

Layout of office building

BHE/PW/OFFICE-01

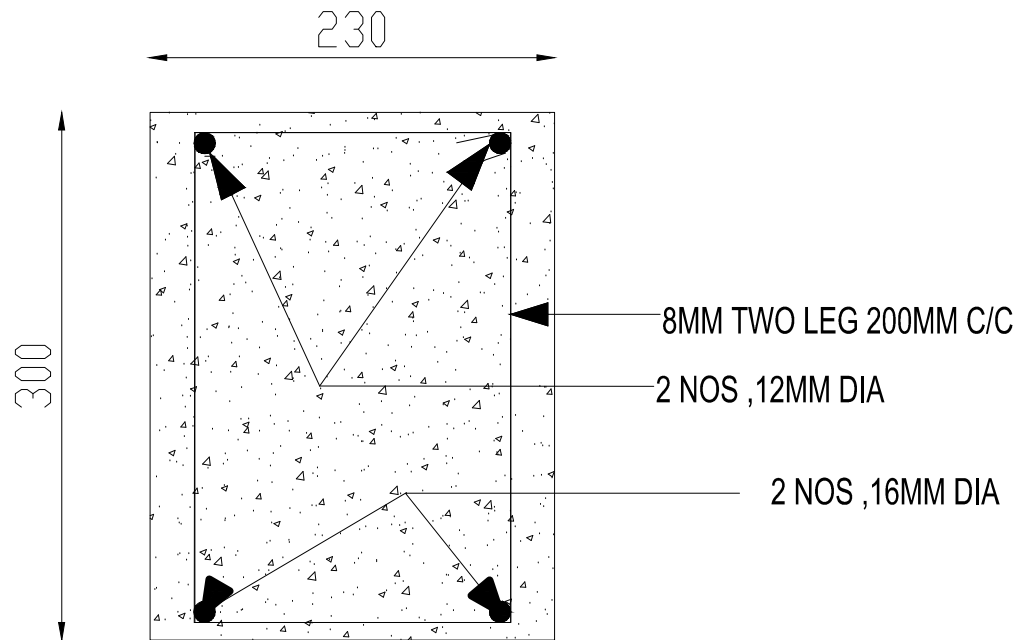
Sl.No	Description	Finishing Details									
		Ceramic Tile Flooring	IPS	OBD	White/Colour Wash	12mm plastering	18mm plastering	False Ceiling	Glazed Tile	Dodo	Skirting
1	GM Cabin	✓		✓		✓		✓			
2	Conference Hall 1,2	✓		✓		✓		✓			
3	Finance Cabin		✓	✓		✓		✓			
4	Documentation Cabin		✓	✓		✓		✓			
5	Cabin 1		✓	✓		✓		✓			
6	Cabin 2		✓	✓		✓		✓			
7	Veranda		✓	✓		✓		✓			
8	Toilet Block			✓		✓		✓	✓	✓	
9	Pantry Block		✓	✓		✓		✓			
10	Toilet in GM Cabin			✓		✓		✓	✓	✓	
11	Toilet block / Rest Room in Conference Hall					✓		✓	✓	✓	
12	External Wall				✓	✓		✓	✓	✓	

Door (D) , Window(W) and Ventilator(V) details.			
Sl.No	Notation	Type	Size
1	D1	Wooden Door	900mm x 2100mm
2	D2	Wooden Door	750mm x 2100mm
3	D3	PVC Door	600mm x 2100mm
4	D4	Steel Door	1200mm x 2100mm
5	W1	Steel Glazed Window	1350mm x 1200mm
6	W2	Aluminium Window	900mm x 1200mm
7	V1	Steel Louvered ventilator	600mm x 450mm

NOTE:
 OFFSET BETWEEN THE BRICK COLUMN IN LONGER DIRECTION I.E 45 M SIDE IS 5M C/C. AND IN SHORTER SIDE IS 10M C/C

 TIE BEAMS (230 X 300 MM)

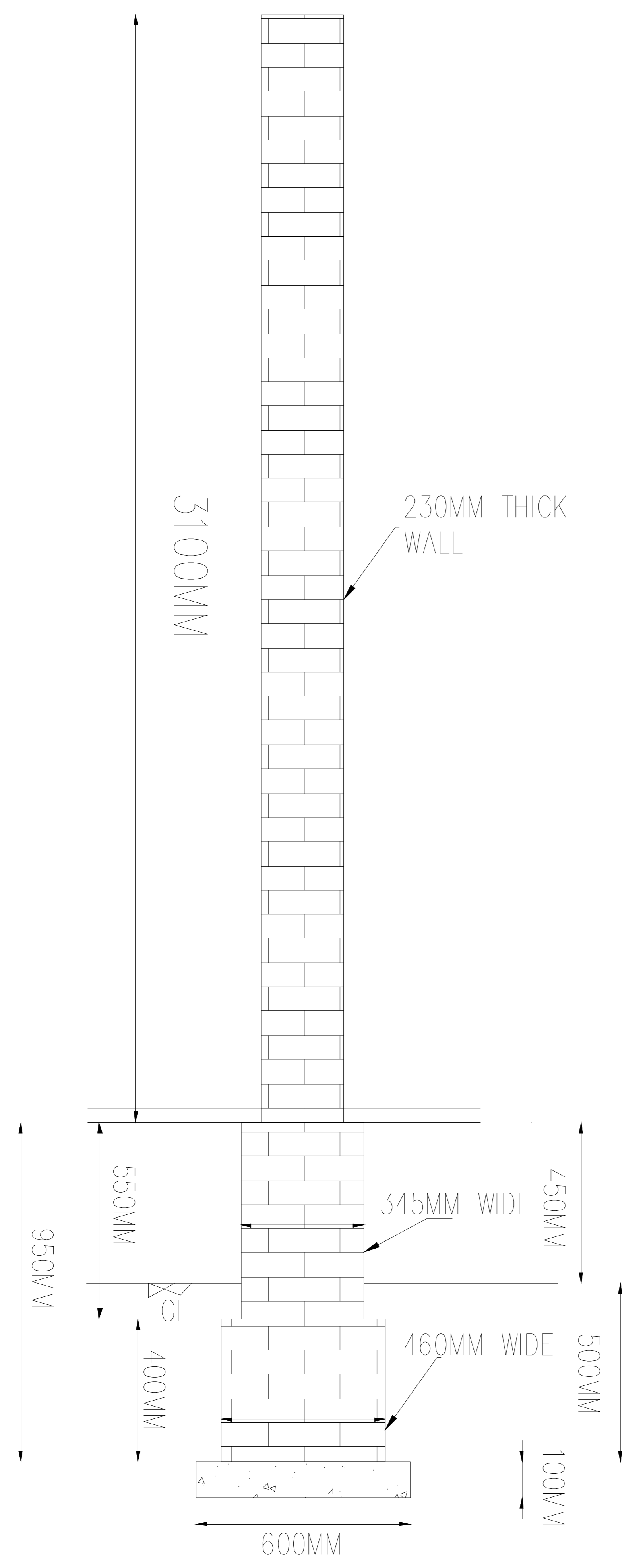
PROJECT	2X660 MW NTPC MOUDA TPP
TITLE	LAYOUT OF OFFICE BUILDING (45MX10M)
DRG NO	BHE/PW/OFFICE-01/04



SECTION OF TIE BEAM OVER THE TOILET BLOCK ROOF
(230MM X 300MM)

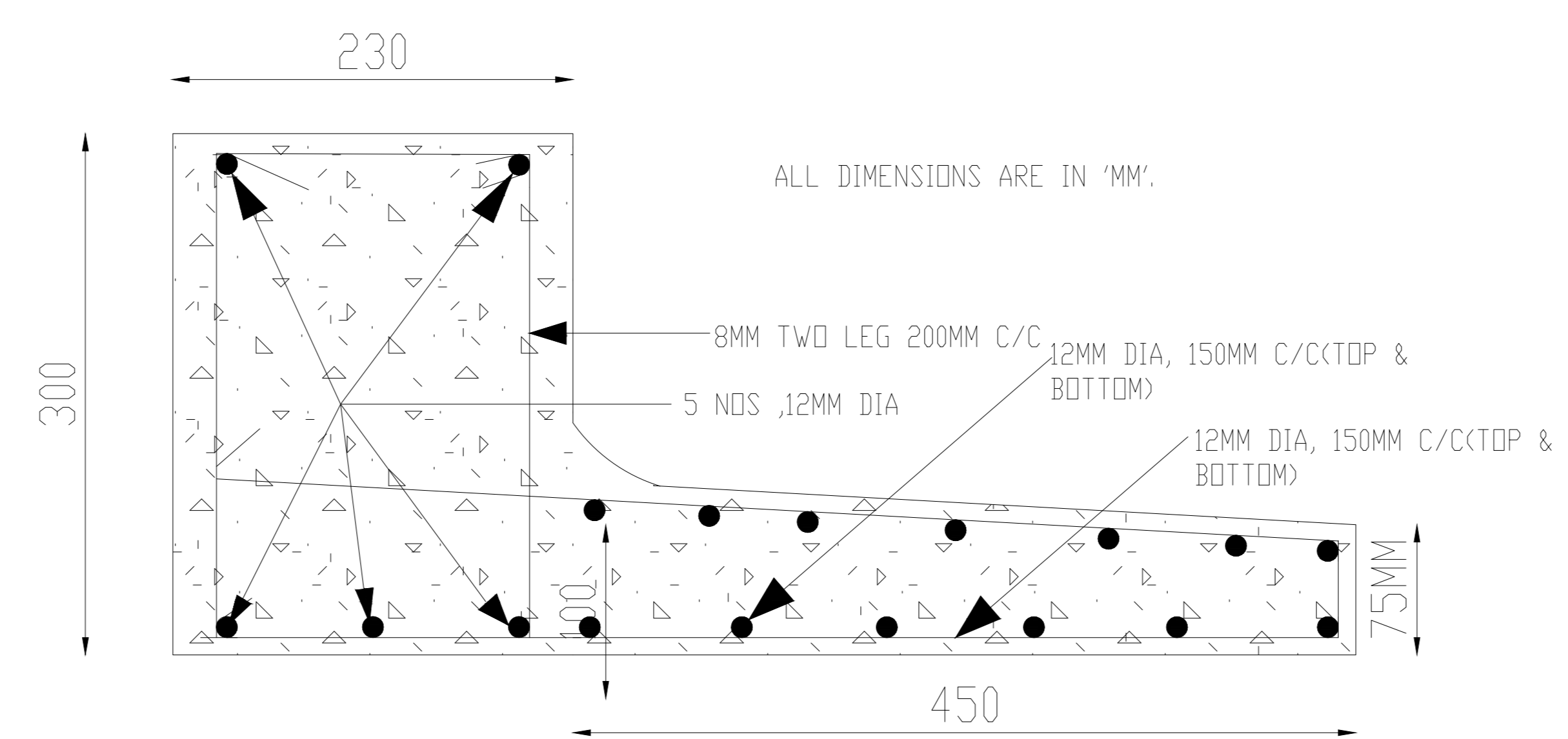
ALL DIMENSIONS ARE IN 'MM'.

DRWG NO. BHE/PW/OFFICE-04/04

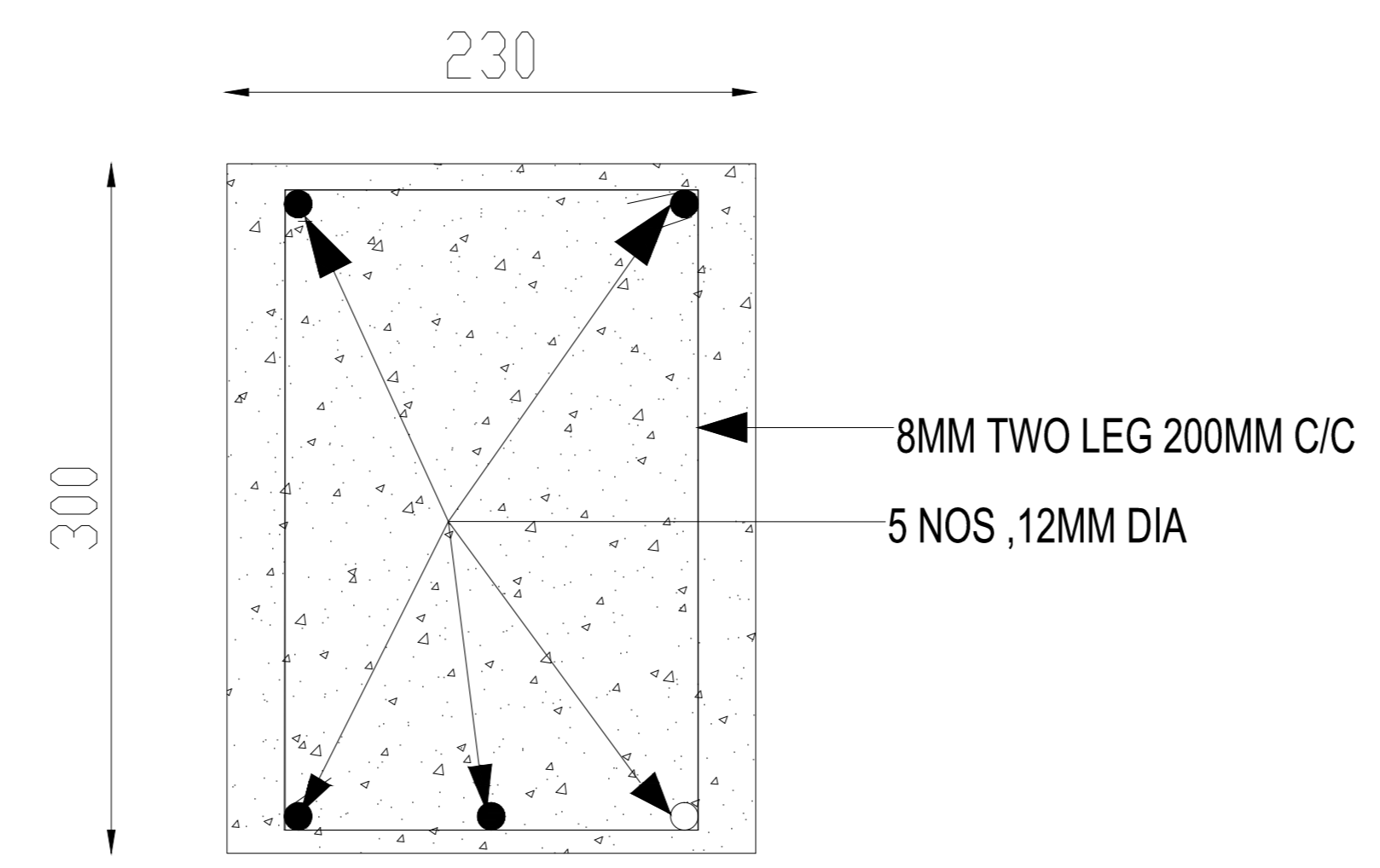


INTERNAL WALL COLUMN/ FOUNDATION

DETAILS OF STRUCTURAL MEMBERS OF SITE OFFICE.

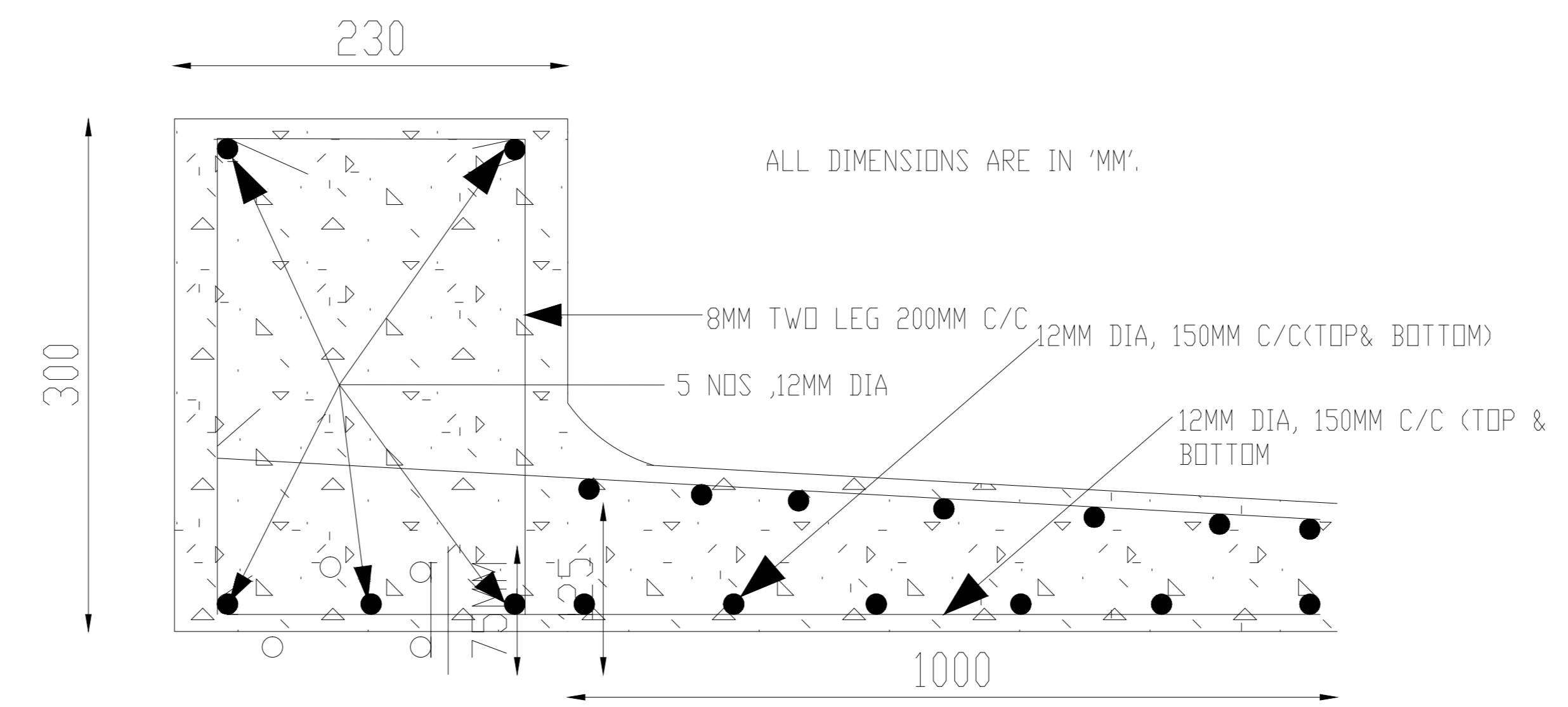


SECTION OF LINTEL & SUN SHED PROJECTION FOR WINDOW

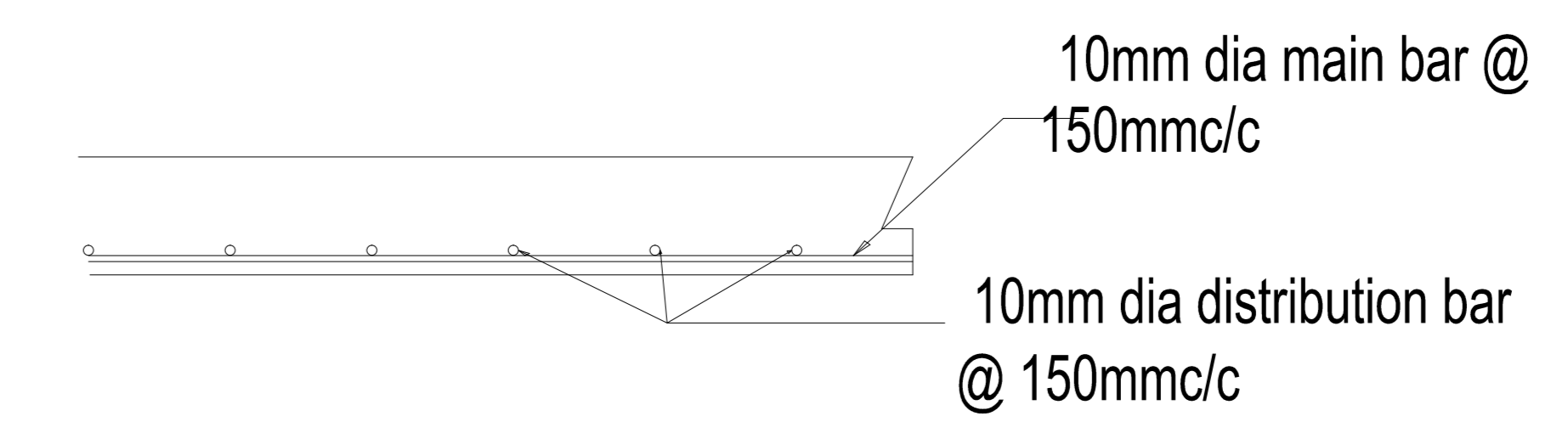


SECTION OF TIE BEAM (230MM X 300MM)

ALL DIMENSIONS ARE IN MM.



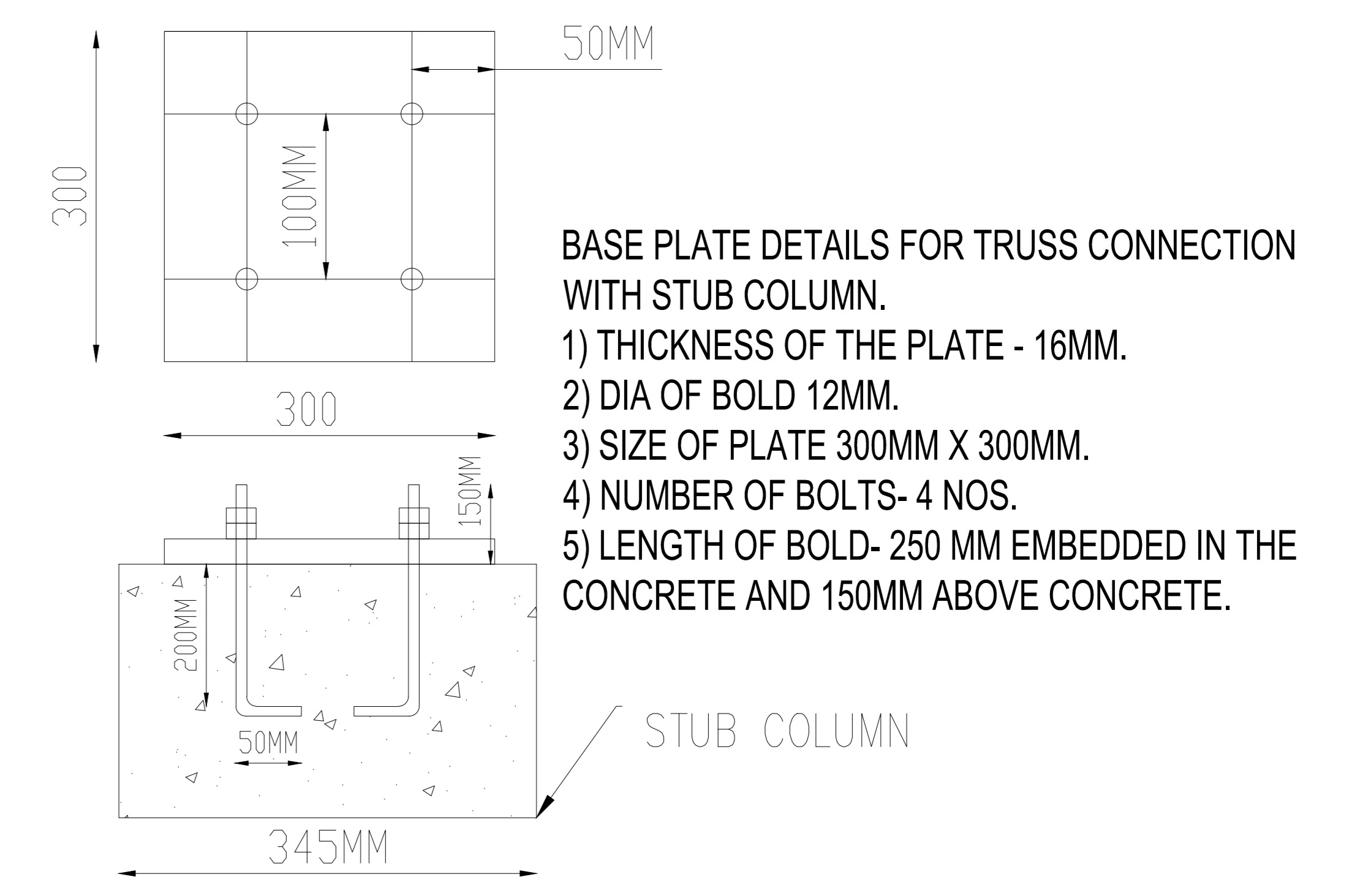
SECTION OF LINTEL & SUN SHED PROJECTION FOR STEEL DOOR AT SITE OFFICE



SLAB REINFORCEMENT DETAILS FOR TOILET BLOCK (9MX3M)

NOTE:

1. THICKNESS OF THE SLAB SHALL BE 120MM WITH CONCRETE MIX OF 1:2:4.
2. PVC WATER TANK SHALL BE PLACED OVER THE RCC ROOF OF TOILET BLOCK



- BASE PLATE DETAILS FOR TRUSS CONNECTION WITH STUB COLUMN.
- 1) THICKNESS OF THE PLATE - 16MM.
 - 2) DIA OF BOLD 12MM.
 - 3) SIZE OF PLATE 300MM X 300MM.
 - 4) NUMBER OF BOLTS- 4 NOS.
 - 5) LENGTH OF BOLD- 250 MM EMBEDDED IN THE CONCRETE AND 150MM ABOVE CONCRETE.

PROJECT	2X660 MW MOUDA TPP
TITLE	DETAILS OF STRUCTURAL MEMBERS OF SITE OFFICE.
DRG NO	BHE/PW/OFFICE-03 / 04