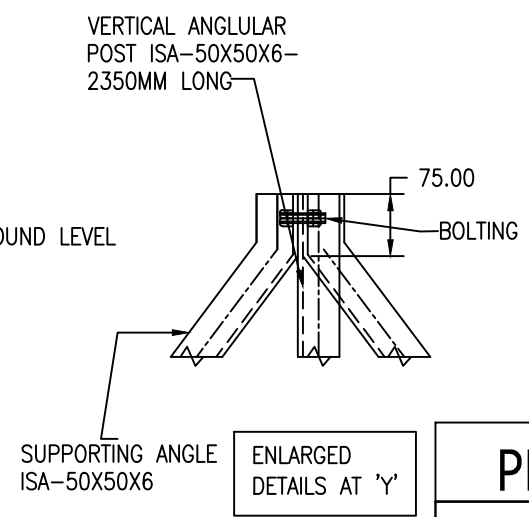
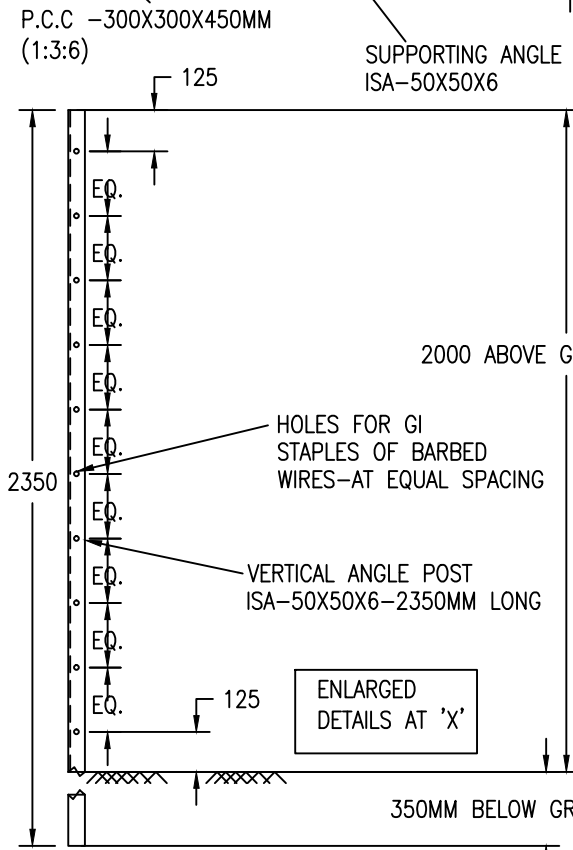
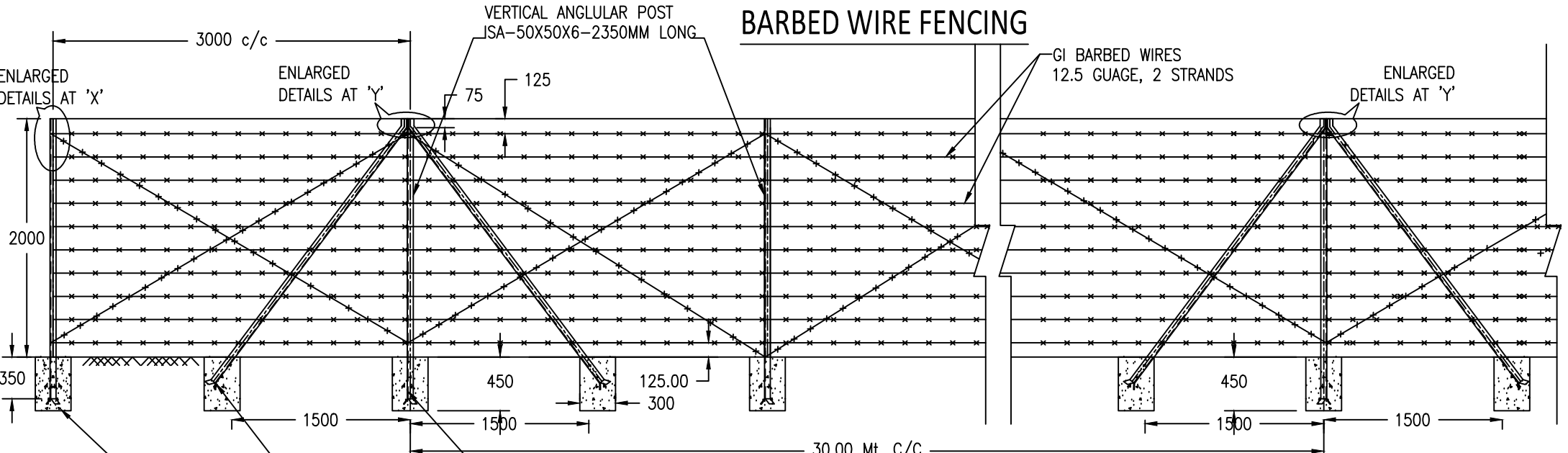


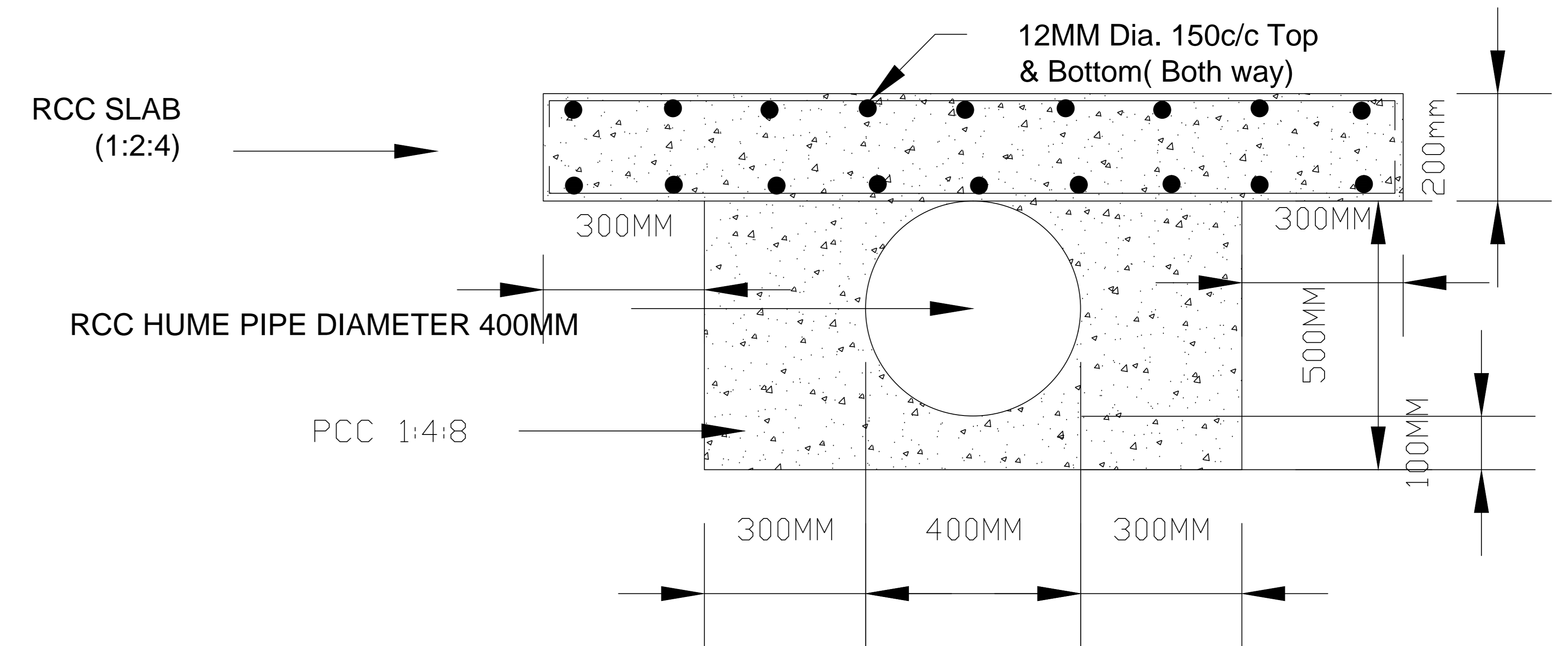
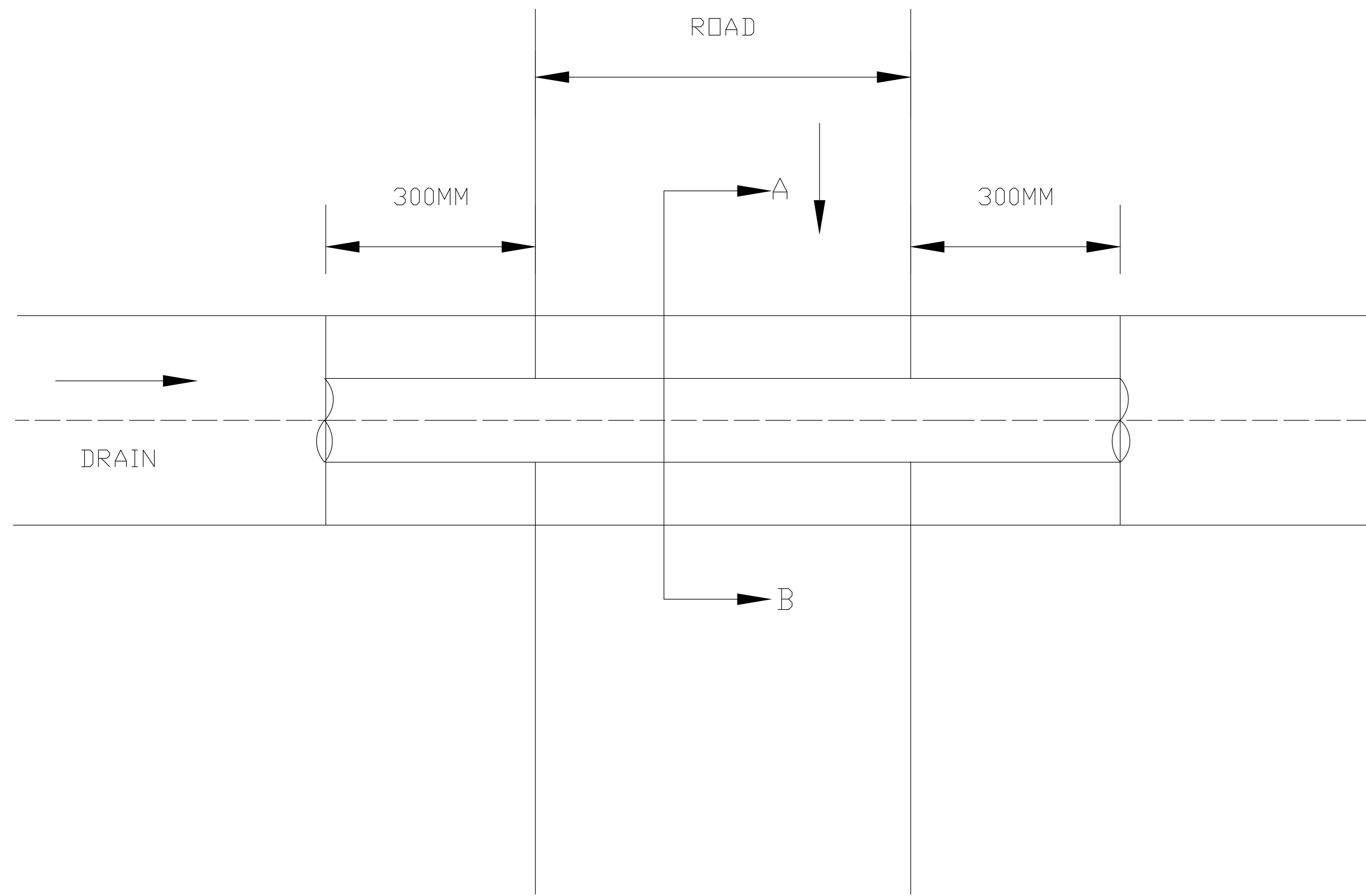
BARBED WIRE FENCING



PROJECT: 2 X 660 MW MOUDA TPP

TITLE: DETAILS OF BARBED WIRE FENCING

DRG. NO. BHE/PW/OY - 11



CULVERT DETAILS ON SECTION A - B

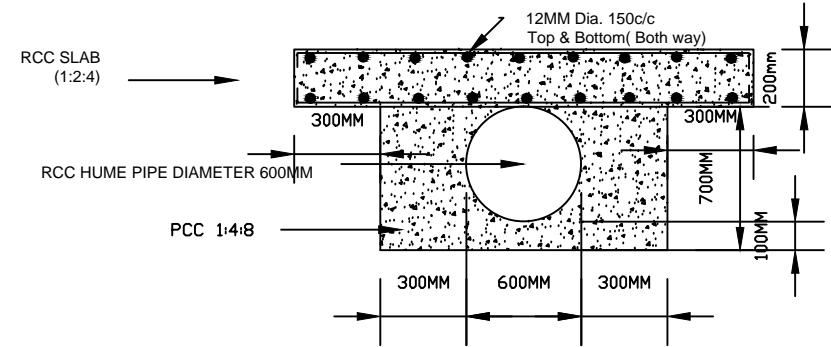
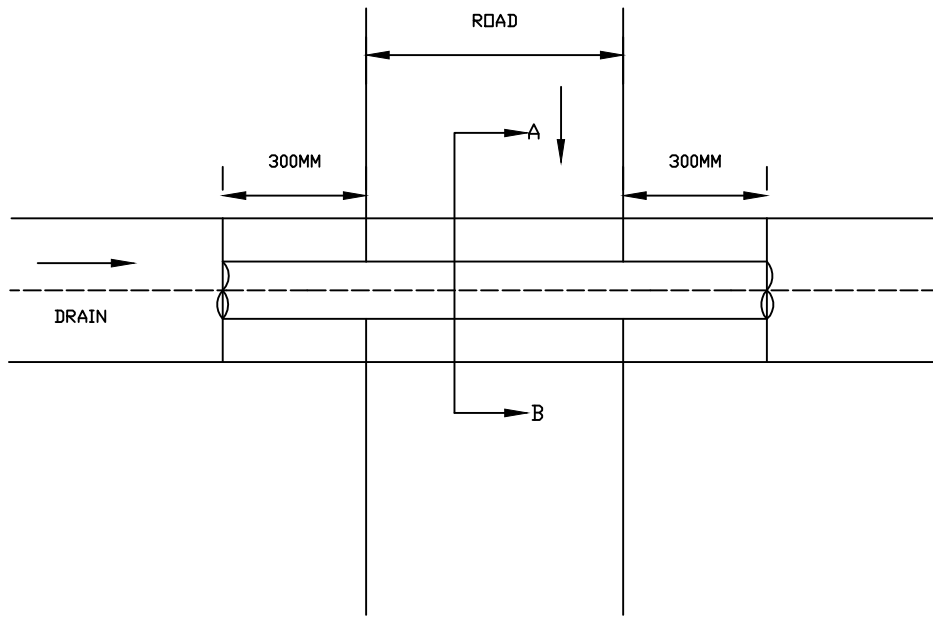
CULVERT DETAILS FOR 400MM DIA, RCC HUME PIPE

PROJECT:- 2 X 660 MW MOUDA TPP

TITLE :- CULVERT DETAILS FOR 400 MM DIA, RCC HUME PIPE

DRG NO. :- BHE/PW/OY-09

OWNER :-  BHEL-PSWR NAGPUR



CULVERT DETAILS ON SECTION 'A - B'

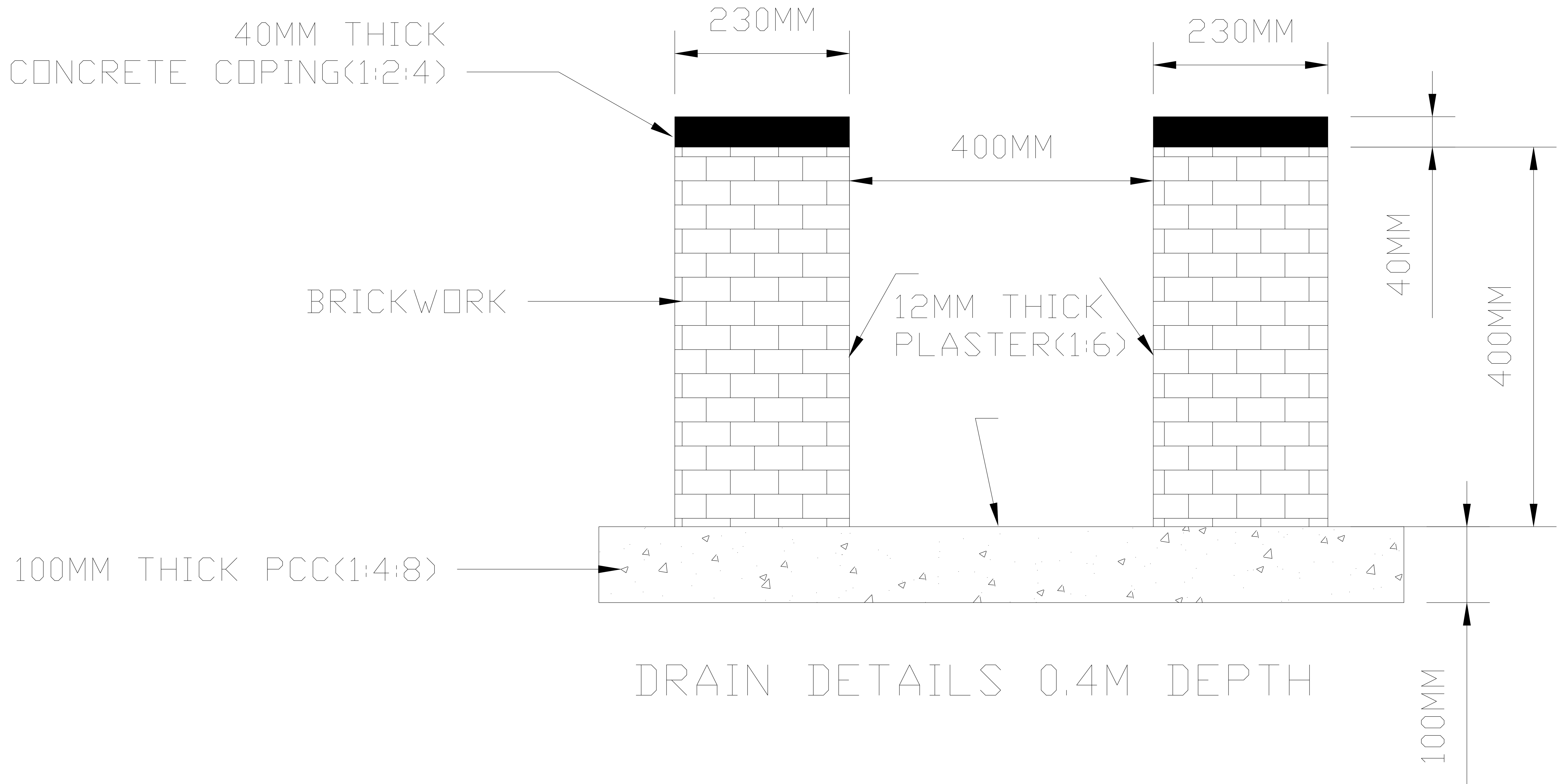
CULVERT DETAILS FOR 600 MM DIA, RCC HUME PIPE

PROJECT:- 2X660MW MOUDA TPP

TITLE :- CULVERT DETAILS FOR 600 MM DIA,
RCC HUME PIPE

DRG NO. :- BHE/PW/OY-10

OWNER :-  BHEL-PSWR
NAGPUR

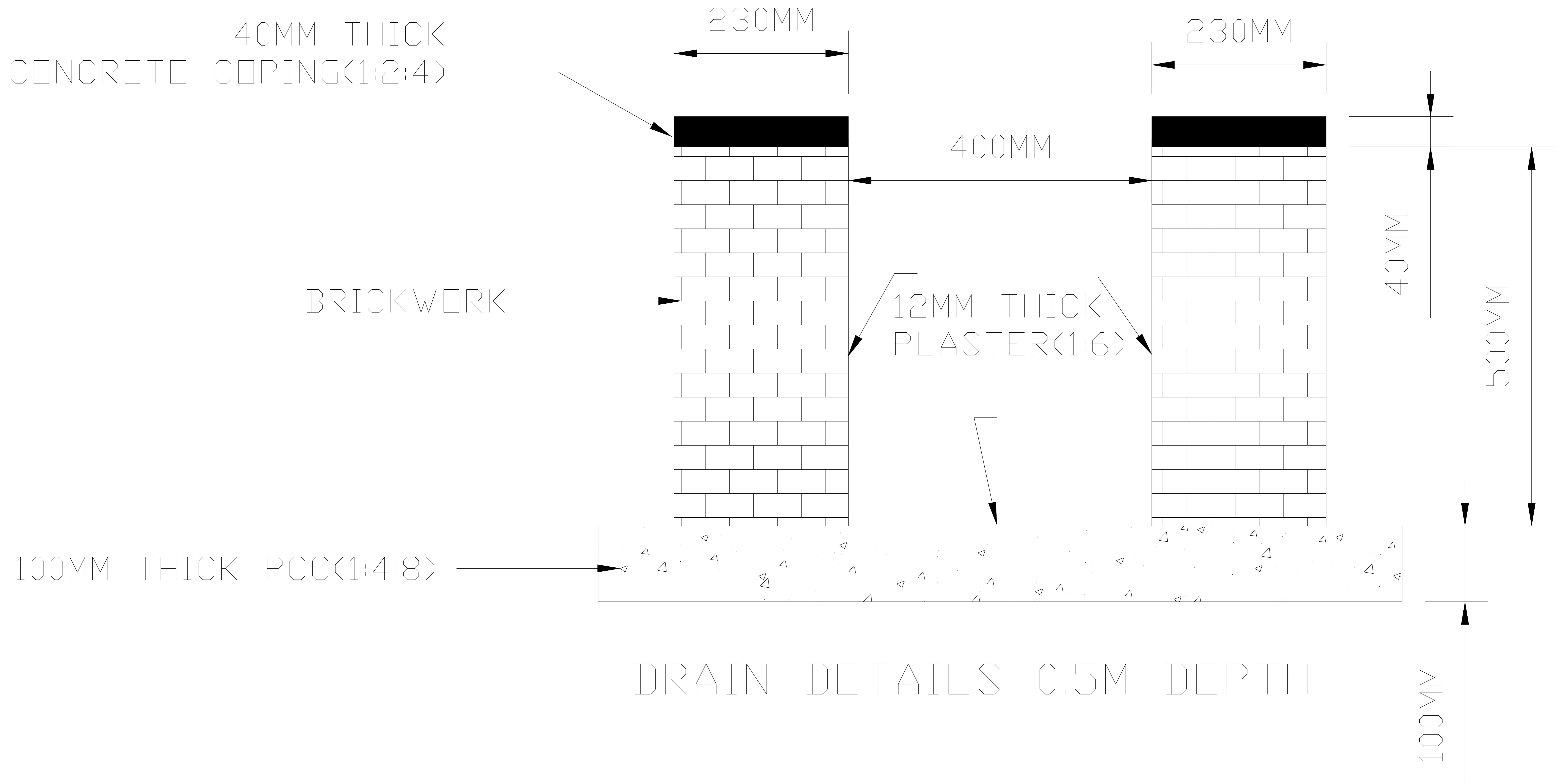


DETAILS OF 0.4M DEPTH DRAIN

PROJECT: 2 X 660 MW MOUDA TPP

TITLE: DETAILS OF 0.4M DEPTH DRAIN

DRG. NO. BHE/PW/OY- 03

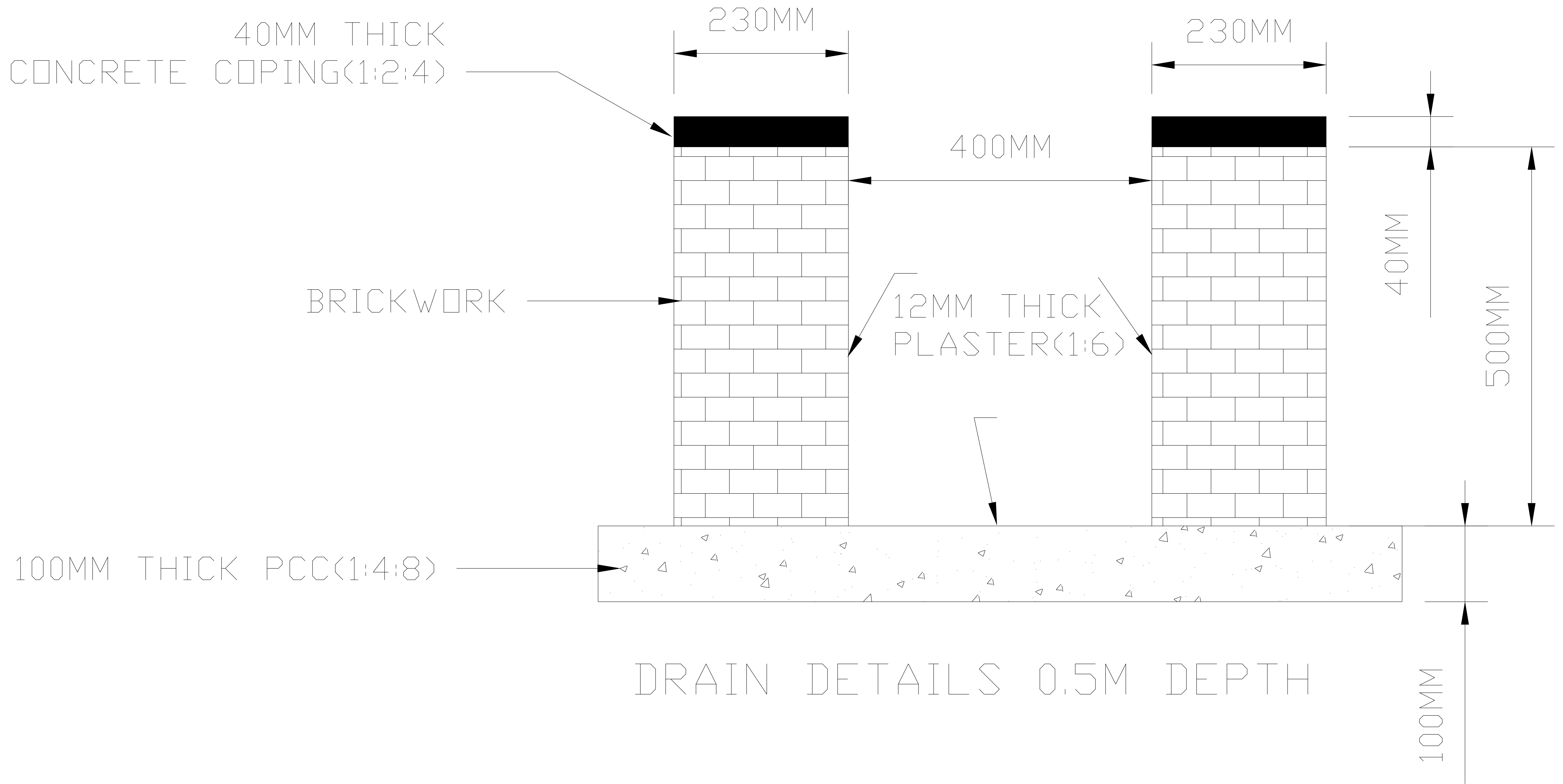


DETAILS OF 0.5M DEPTH DRAIN

PROJECT: 2 X 660 MW MOUDA TPP

TITLE: DETAILS OF 0.5M DEPTH DRAIN

DRG. NO. BHE/PW/OY- 04

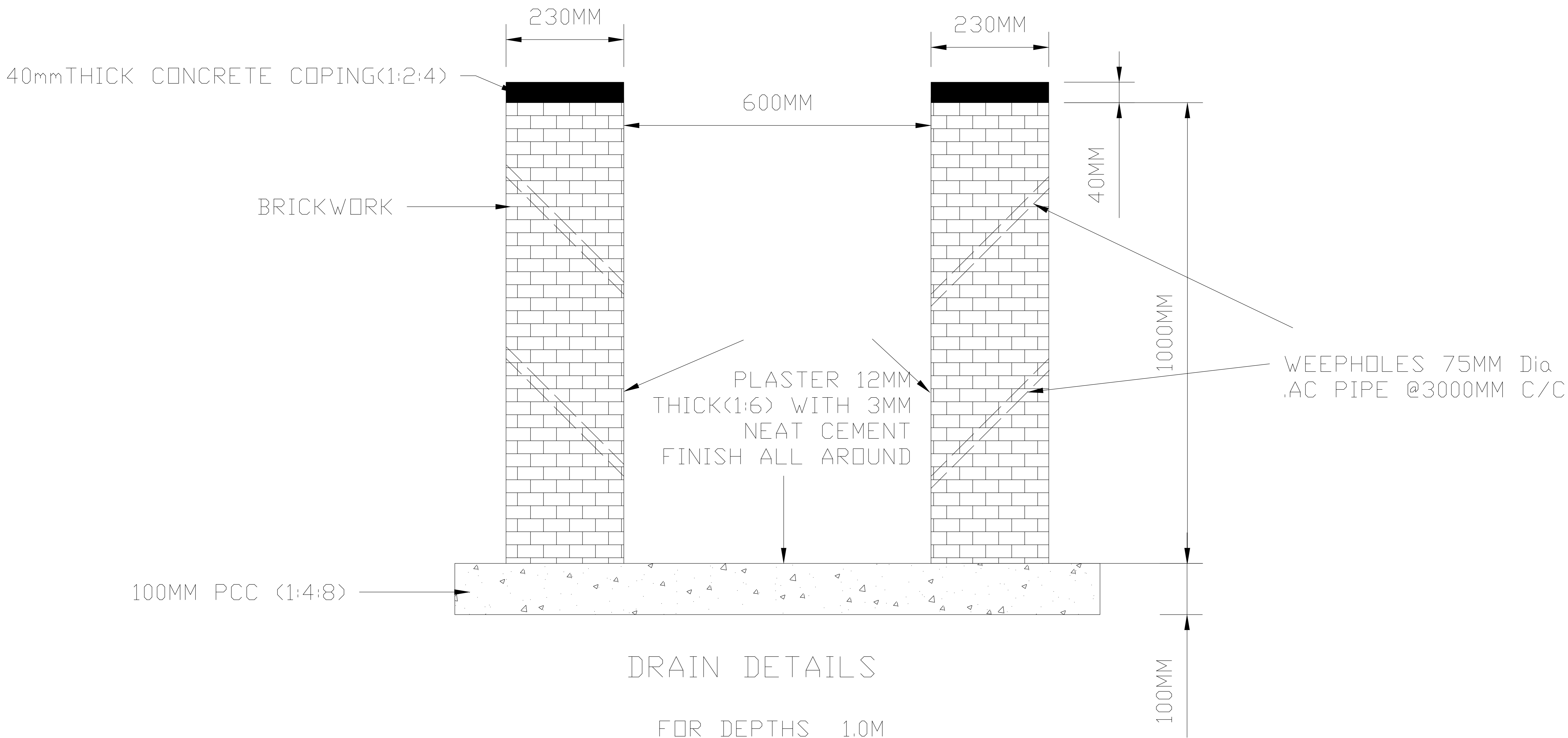


DETAILS OF 0.5M DEPTH DRAIN

PROJECT: 2 X 660 MW MOUDA TPP

TITLE: DETAILS OF 0.5M DEPTH DRAIN

DRG. NO. BHE/PW/OY- 04



DETAILS OF 1.0M DEPTH WITH 600MM WIDE DRAIN

PROJECT: 2 X 660 MW MOUDA TPP
TITLE: 1.0 M DEPTH DRAIN
DRG. NO. : BHE/PW/OY-08