

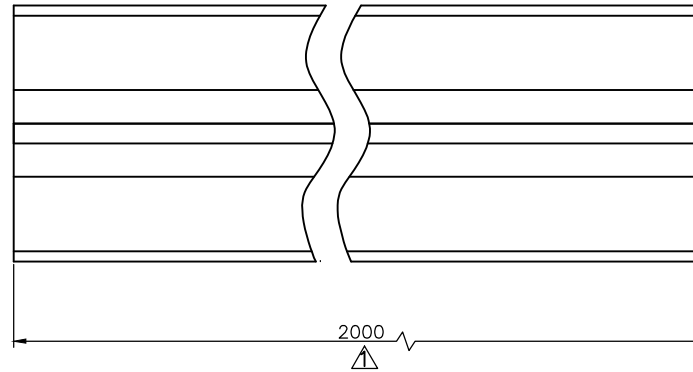
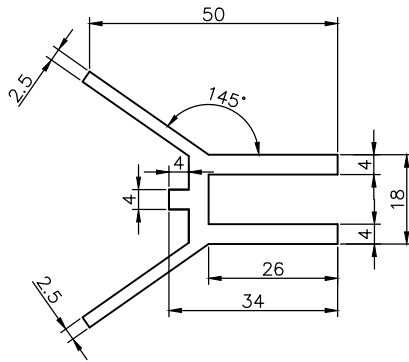
FIRST ANGLE PROJECTION

(ALL DIMENSIONS ARE IN mm)

FORM: DG-38(B)

DRAWING NO. MISC-SP-455

6.3 / THE REST



NOTE: -

1. ALL THE DIMENSIONS IN THE DRAWING ARE APPROX. THE SUPPLIRE SHOULD NOTE DOWN THE FINAL DIMENSIONS FROM THE M/C HIMSELF FOR PROPER FITTING ON THE M/C.
2. OPERATING TEMP. FOR GASKET 80°C MAX.
3. SHORE HARDNESS "A"-75-80.

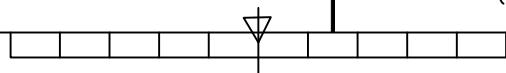
1. BLUNT ALL SHARP CORNERS

MAT. - NITRILE RUBBER

COPYRIGHT AND CONFIDENTIAL  
 THE INFORMATION ON THIS DOCUMENT IS THE PROPERTY OF  
 BHARAT HEAVY ELECTRICALS LIMITED . IT MUST NOT BE USED DIRECTLY  
 OR INDIRECTLY IN ANY WAY DETRIMENTAL TO THE INTEREST OF THE COMPANY.

15-09-03/172 INVENTORY NO.  
 SIGN & DATE  
 SAMPLE REF. DRG NO.

GRADE OF UNTOL. DIM.:-			CBOM NO.		STATUS OF DRG.		TYPE OF PRODUCT OR COMPRESSURE			PLAN NO.-		
M/CG- X/C/M/F AA 0230208			AGREED DEPT.		NAME SIGN DATE		NAME OF CUSTOMER/ PROJECT			BLOCK-		
WELDING-A/B/C/D-AA621104			DRN		NAME SIGN DATE		DRN DUGTAL			12-09-2015		
GAS CUTTING-T3'AA0621101			CHD		NAME SIGN DATE		CHD SANJAY			73, 74		
REV. DATE ALTERED CHECKED			APD		NAME SIGN DATE		APD PRAVEEN			75, 77		
REV. DATE ALTERED CHECKED			DEPT. WEX		SCALE		WEIGHT (Kg.)		REF. TO ASSY. DRG.		ITEM NO.	
REV. DATE ALTERED CHECKED			CODE/DESIGN		1:1		-		-		-	
REV. DATE ALTERED CHECKED			TITLE		GASKET (Y-TYPE)		1 3		DRAWING NO.		NO. OF ITEMS	
REV. DATE ALTERED CHECKED			GASKET (Y-TYPE)		(COMPRESSURE)		-		MISC-SP-455		01	
REV. DATE ALTERED CHECKED			SHEET NO.		01		NO. OF SHEETS		01		22, 23, 24	



SIZE A3