

Project Engineering  
Management

**Bharat Heavy Electricals Limited**  
(A Govt. Of India Undertaking)



Ref. No. PE/PG/SG5/E-4387/14-01 Dated 23.05.2014

Enquiry No.: PE/PG/SG5/E-4387/14 Dated 25.04.2014

2X660 MW SURATGARH STPS, STAGE-V  
ANUBAR –DELTA TUBE

**CORRIGENDA / ADDENDA -1**

Dear Sirs,

1. The last date of submission of tender for ANUBAR-DELTA TUBE invited vide enquiry ref no: PE/PG/SG5/E-4387/14 dated 25.04.2014 is extended upto 03.06.2014 at 10:00AM (IST). The techno-commercial offer shall be opened on 03.06.2014 at 11:00AM (IST).
2. Information regarding spool piece as per attached drawings.

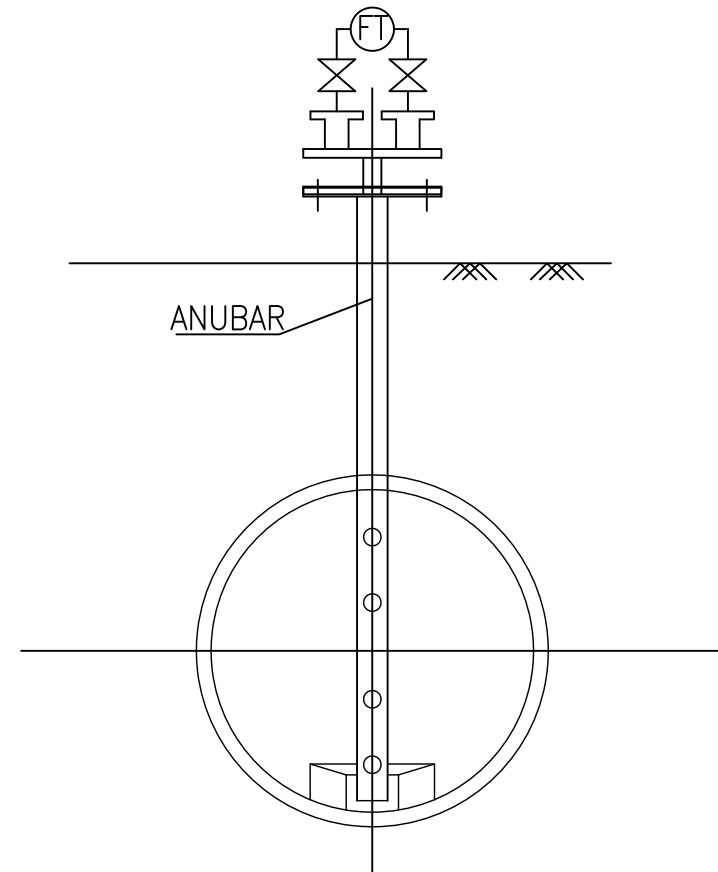
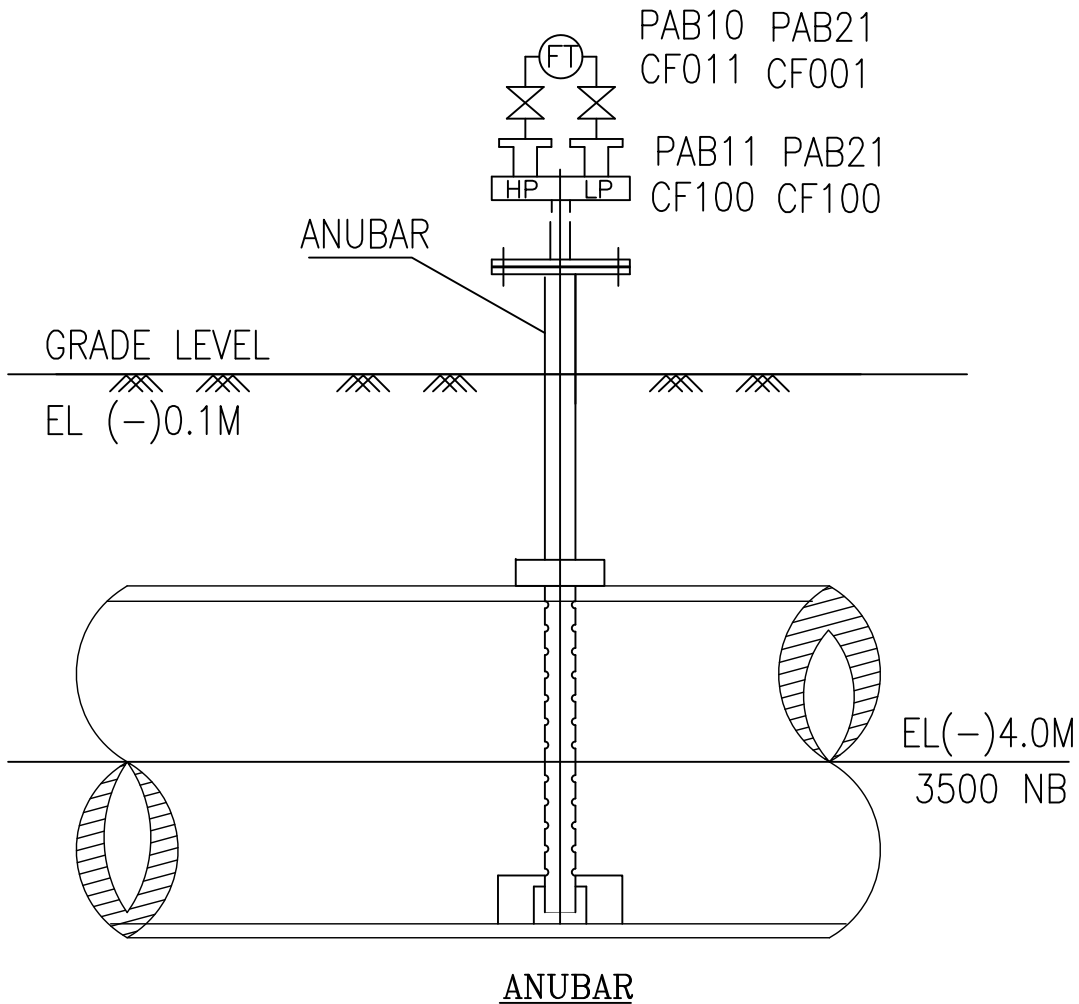
Thanking you,  
Yours faithfully,  
For and on behalf of BHEL

  
23/5/14

**Rohit Juneja**  
(Engineer/Project Group-II-1)

ROHIT JUNEJA  
ENGINEER/PG-II-1,  
BHEL/PS-PEM  
POWER PROJECT ENGINEERING INSTITUTE,  
PLOT NO. 25, SECTOR - 16A, NOIDA (UP)  
(OFF) 0120-4368848.

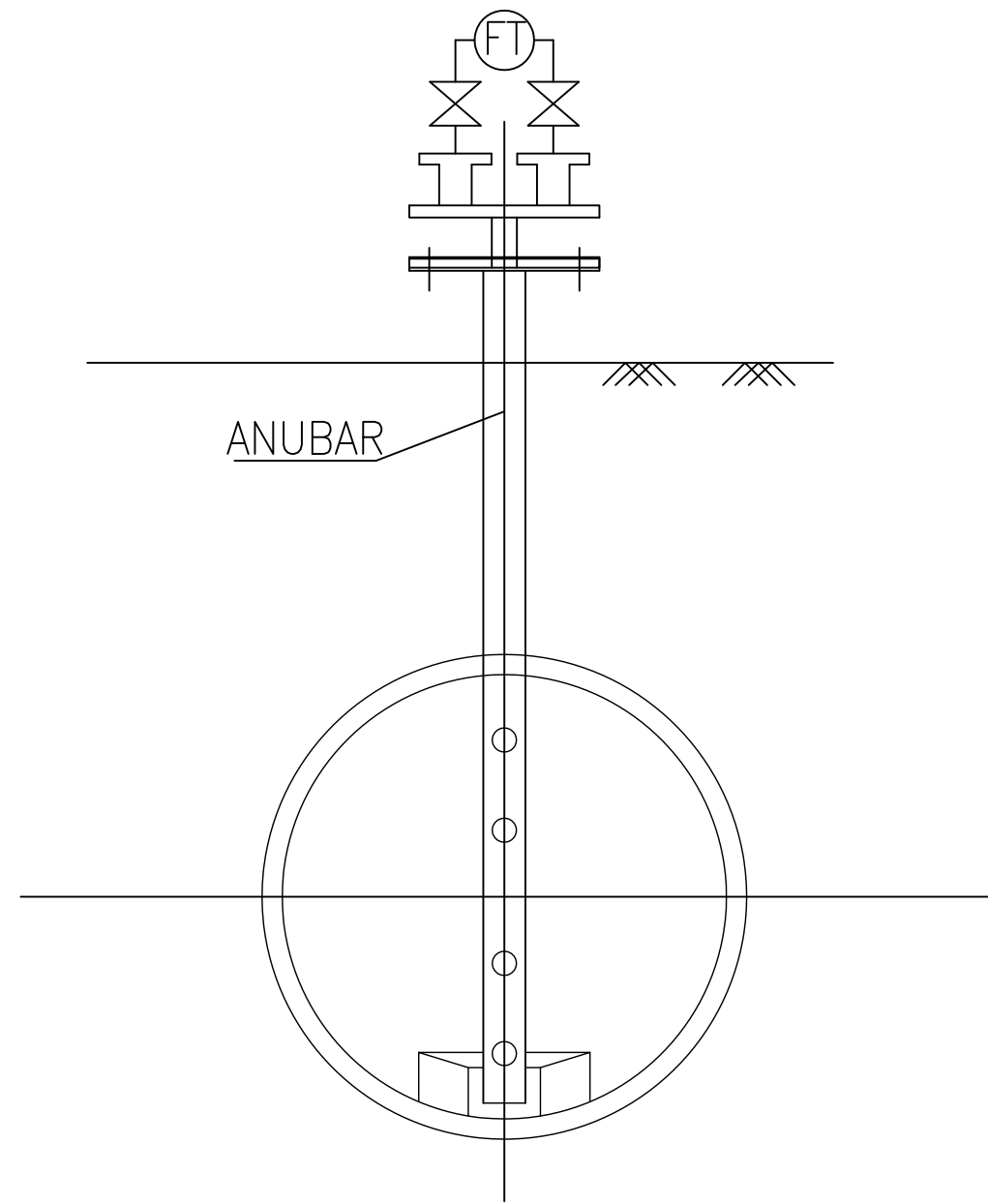
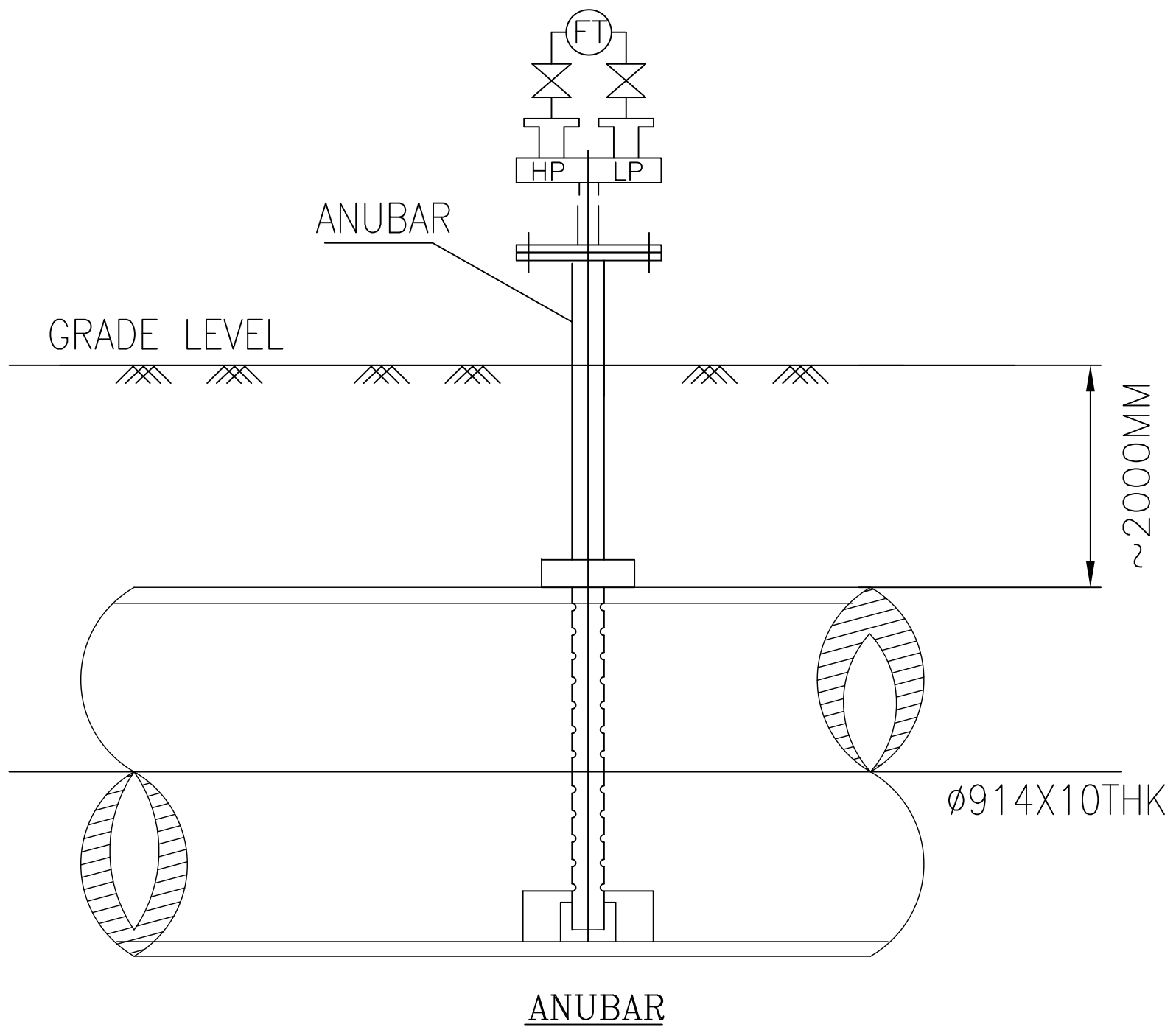
Regd. Office:  
BHEL House  
Siri Fort  
New Delhi-110049



NOTE:- FOR ANUBAR DETAIL REFER (DOC. NO. PE-VO-392-145-I109)

PL. CHECK DRG  
NO.

PLEASE NOTE THAT NO PIT WILL BE PROVIDED FOR ANUBAR IN CW  
SYSTEM. PLEASE CONFIRM.



NO PIT SHALL BE PROVIDED FOR ANUBAR.