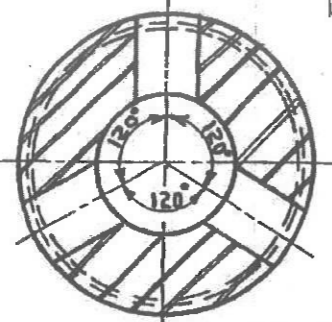
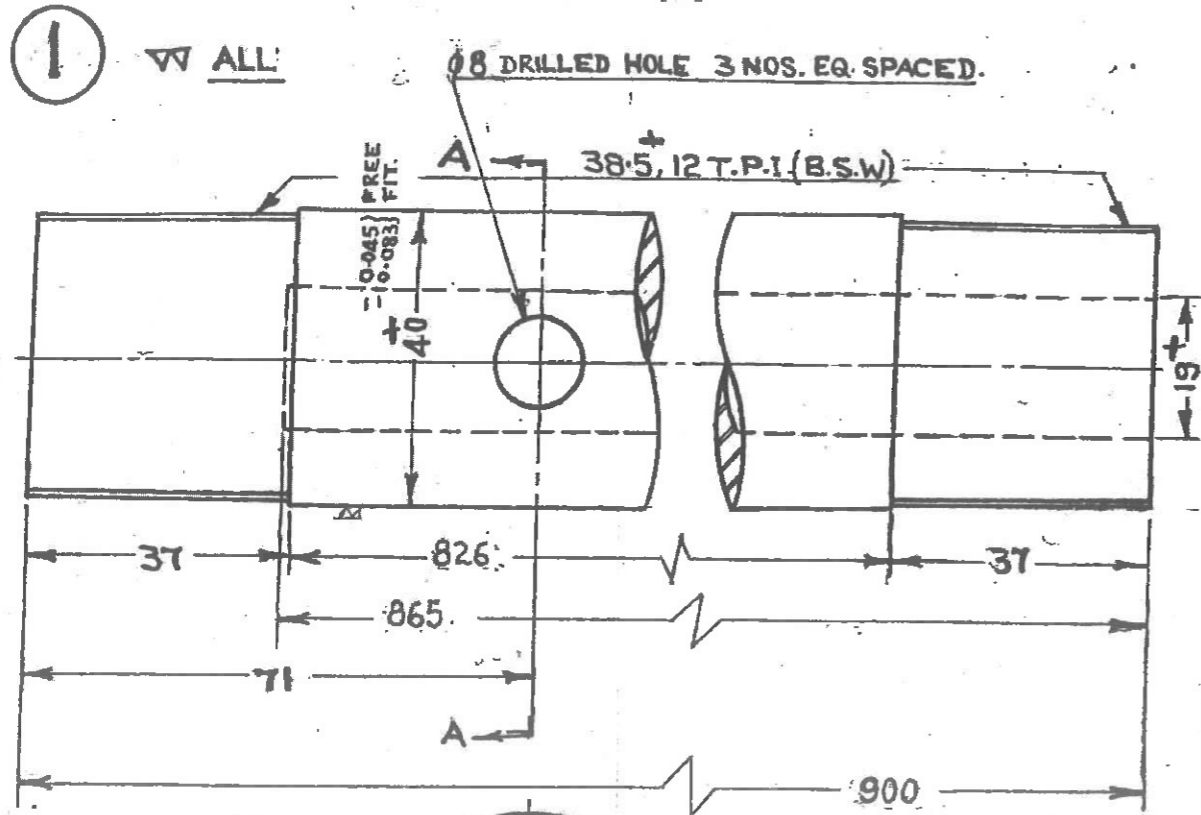


ITEM	DESCRIPTION	No. REQ.	MATERIAL	DRAWING No.	APPROX. WT.
1	SHAFT	1	⊗		7.07 kg.

⊗ STEEL - C15 OF IS: 1570-1961.

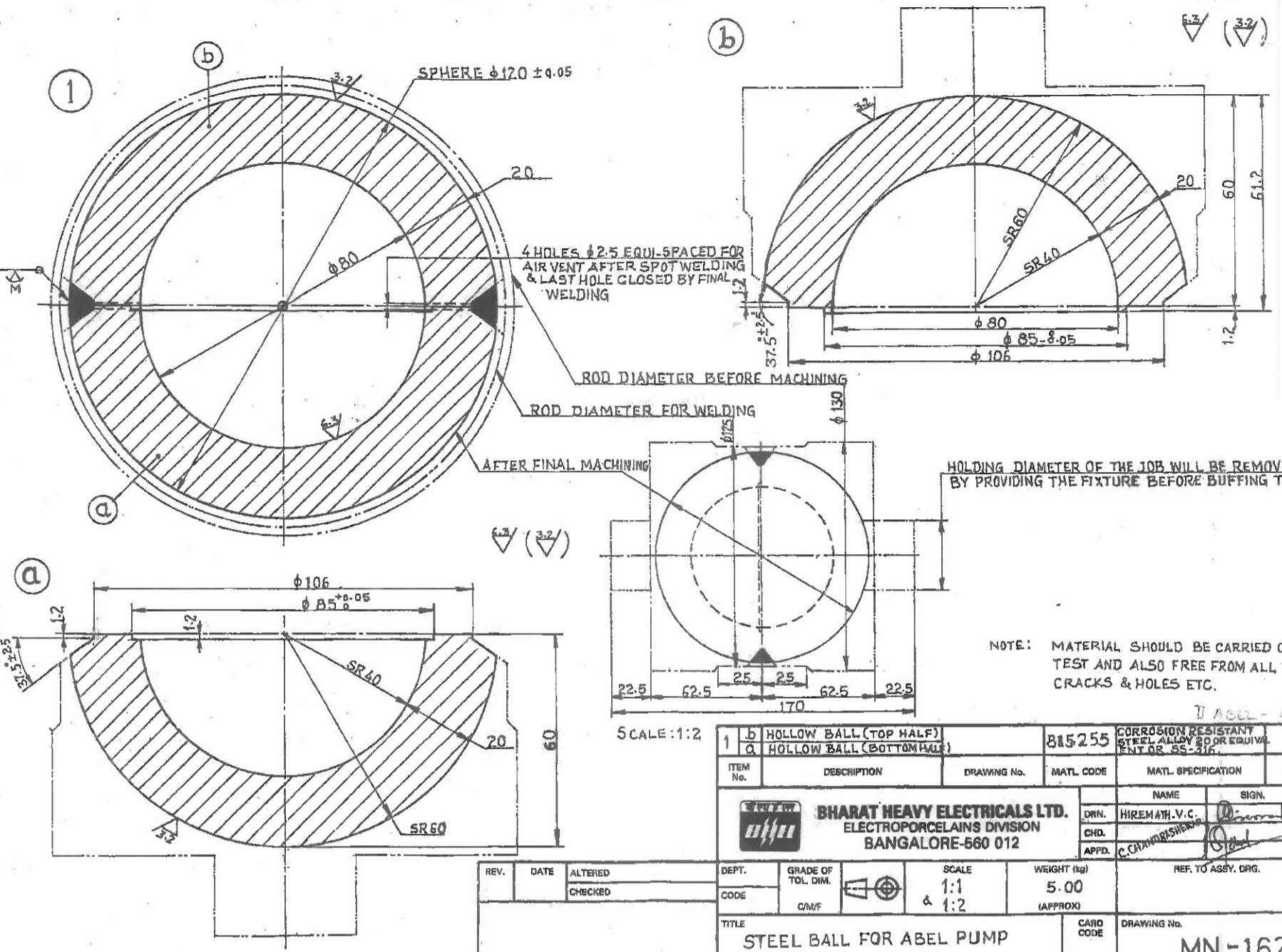


SECTION AT 'AA'

MATL.CODE. 811540

REVISED	GOVERNMENT PORCELAIN FACTORY / BHEL BANGALORE-3.	
	CENTRE ROD	
	FOR FILTER PRESS OIL CYLINDER.	
	DATE 16-7-65	FOLIUM No. MP-16001
	SCALE 1:8mm	CHECKED BY <i>[Signature]</i>
	DRAWN BY <i>[Signature]</i>	CHECKED BY
MASTER DRAWING NO.	TRACED BY R. Narayan Rao	AS PER SAMPLE
MS-16002	N.G.K. DESIGNED	APPROVED BY <i>[Signature]</i>
	DRG No. MU-16022	

THE INFORMATION ON THIS DOCUMENT IS THE PROPERTY OF BHARAT HEAVY ELECTRICALS LIMITED. IT MUST NOT BE USED DIRECTLY OR INDIRECTLY IN ANY WAY DETRIMENTAL TO THE INTEREST OF THE COMPANY.



HOLDING DIAMETER OF THE JOB WILL BE REMOVED SUITABLY BY PROVIDING THE FIXTURE BEFORE BUFFING THE BALL.

NOTE: MATERIAL SHOULD BE CARRIED OUT ULTRASONIC TEST AND ALSO FREE FROM ALL DEFECTS LIKE CRACKS & HOLES ETC.

SCALE: 1:2

1	b	HOLLOW BALL (TOP HALF)	815255	CORROSION RESISTANT STEEL ALLOY 304 OR EQUIVALENT OR SS-316	1	5.0/19.00
	a	HOLLOW BALL (BOTTOM HALF)				
ITEM No.	DESCRIPTION	DRAWING No.	MATL. CODE	MATL. SPECIFICATION	QTY.	GROSS UNIT Wt. Kgs (APPROX)
BHARAT HEAVY ELECTRICALS LTD. ELECTROPORCELAINS DIVISION BANGALORE-560 012						
DEPT.		GRADE OF TOL. DIM.	SCALE	WEIGHT (kg)	REF. TO ASSY. DRG.	ITEM No.
CODE		C/M/F	1:1 & 1:2	5.00 (APPROX)		No. OF ITEMS
TITLE			CARD CODE	DRAWING No.	REV.	
STEEL BALL FOR ABEL PUMP				MN-16245		
REV.				DATE	ALTERED	CHECKED
SHEET No.				No. OF SHEETS		

SIGN AND DATE
REF. DRG. No.
INVENTORY No.