

TABLE FOR SUB-ASSY.

SUB-ASSY.	MK-101	MK-102	MK-103	MK-104	MK-105	MK-106	MK-107	MK-108	MK-109	MK-110	MK-111	MK-112
QTY. IN NOS.	001	001	001	001	001	001	001	003	001	001	001	001
ITEM NO.	013	014	015	016	018	020	023	008	025	029,030 031	036	037

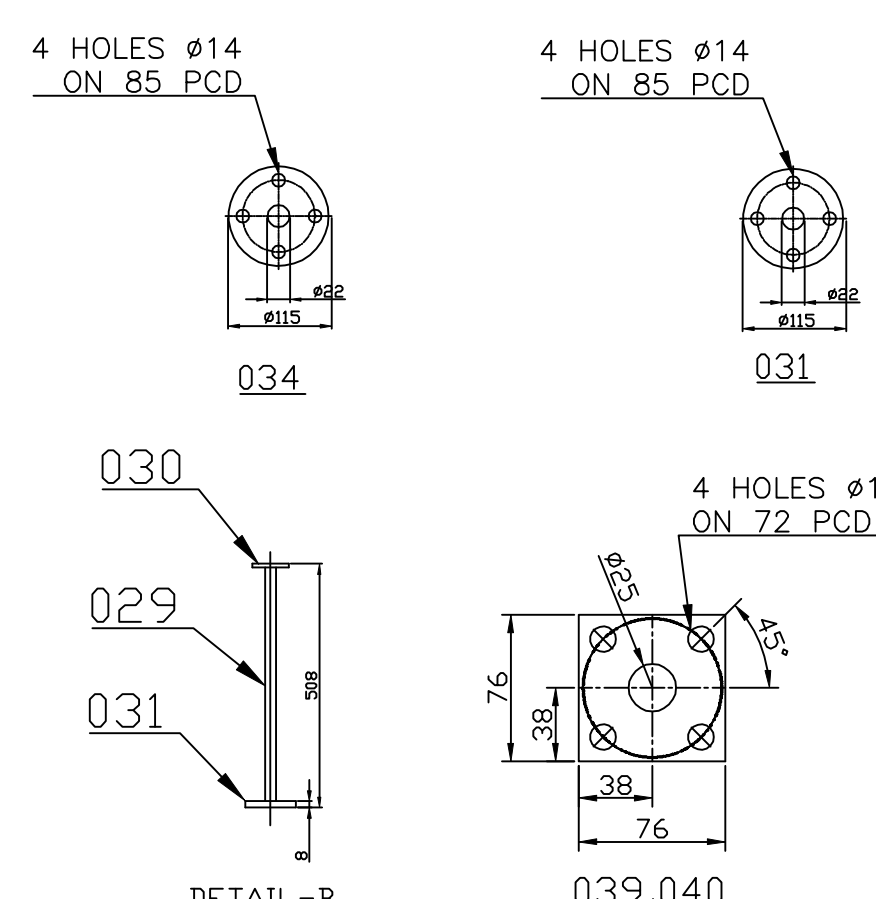
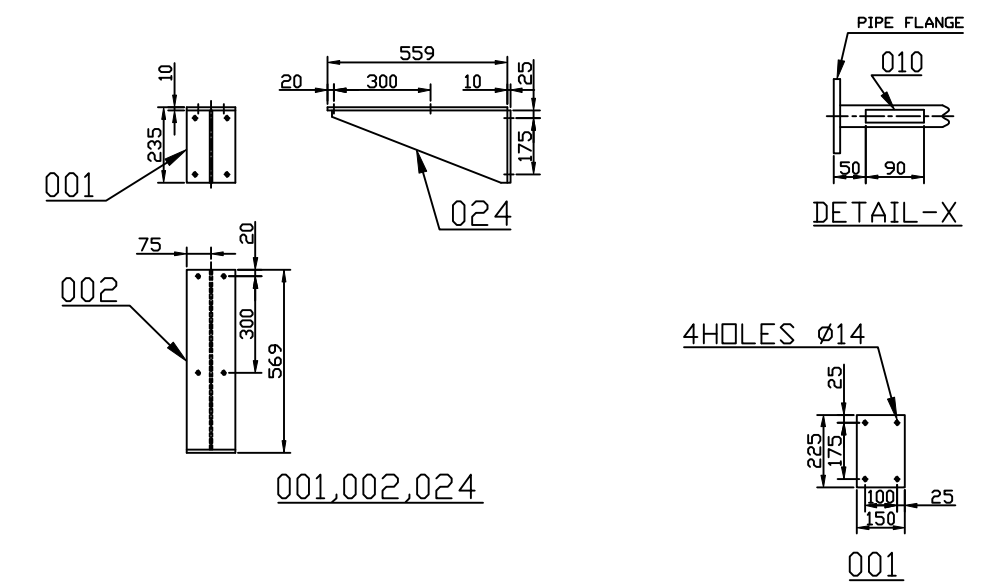
NOTES:-

1. ALL HARDWARE ARE TO BE OF SS UPTO M10 & HDG FOR M12 & ABOVE
2. FOR GENERAL NOTES REFER DRG. NO. 34994300040.
3. FOR TIGHTENING TORQUE REFER DRG. NO. TR-15013T.
4. FOR GENERAL TOLERANCE REFER DRG. NO. TR-15032T.
5. FOR PAINTING AND SHOT BLASTING AS PER TOP TANK ASSY DRG. NO. 04631650032
6. ALL PIPE SUB-ASSY. MARKED THUS MK/TRANSF. SRL. NO. SHOULD BE PUNCHED ON IT. 010 SET WISE BEFORE DISPATCH TO FACILITATE IDENTIFICATION FOR ERECTION AT SITE. i.e. MK-101/20460-- MEANS SUB ASSY. MK-101 FOR TRANSF. SRL. NO.-20460--

APPROX. VOLUME IN LTRS. = 38.000

APPROX. WEIGHT IN KGS.

STEEL ----- 094.300  
OTHER ----- 030.900  
TOTAL ----- 125.200



FOR B.O.M. REFER E-BOM 14635250027.

ADDITIONAL INFORMATION 72589A17200		TYPE OF PRODUCT OR 160 MVA,220/132/11 KV AUTO TRFR	
STATUS OF DRAWING		NAME OF CUSTOMER/PROJECT M/S:- UPTCL	
DISTRIBUTION OF PRINTS		BHARAT HEAVY ELECTRICALS LTD. JHANSI	
REV	DATE	ALTERED	CHECKED
01	20.10.21	APPROVED	
02	29.07.21	APPROVED	
03	20/08/2020	APPROVED	
ZONE		DEPT-TRE UN.TOL. DIM. C/M/F	
IT.039, 040 ADDED.		SCALE	
IT.035 & 037 MODIFIED.		WEIGHT (KGS) REF. TO ASSY. NO.	
		ITEM NO. NO. OF ITEM	
		DRAWING NO. 14635250027	
		SHT NO 1 NO OF SHT 1	

REV	DATE	ALTERED	CHECKED	APPROVED	REV	DATE	ALTERED	CHECKED	APPROVED	REV	DATE	ALTERED	CHECKED	APPROVED	REV	DATE	ALTERED	CHECKED	APPROVED	REV	DATE	ALTERED	CHECKED	APPROVED
01	20.10.21	APPROVED			02	29.07.21	APPROVED			03	20/08/2020	APPROVED			04	20/08/2020	APPROVED			05	20/08/2020	APPROVED		

The information on this document is the property of Bharat Heavy Electricals Limited. It must not be used directly or indirectly in any way detrimental to the interest of the company

Printed On: 2021-11-09 11:47:58 By: MM7