

THE INFORMATION ON THIS DOCUMENT IS THE PROPERTY OF BHARAT HEAVY ELECTRICALS LIMITED. IT MUST NOT BE USED DIRECTLY OR INDIRECTLY IN ANY WAY DETRIMENTAL TO THE INTEREST OF THE COMPANY

COMPUTER FILE NAME

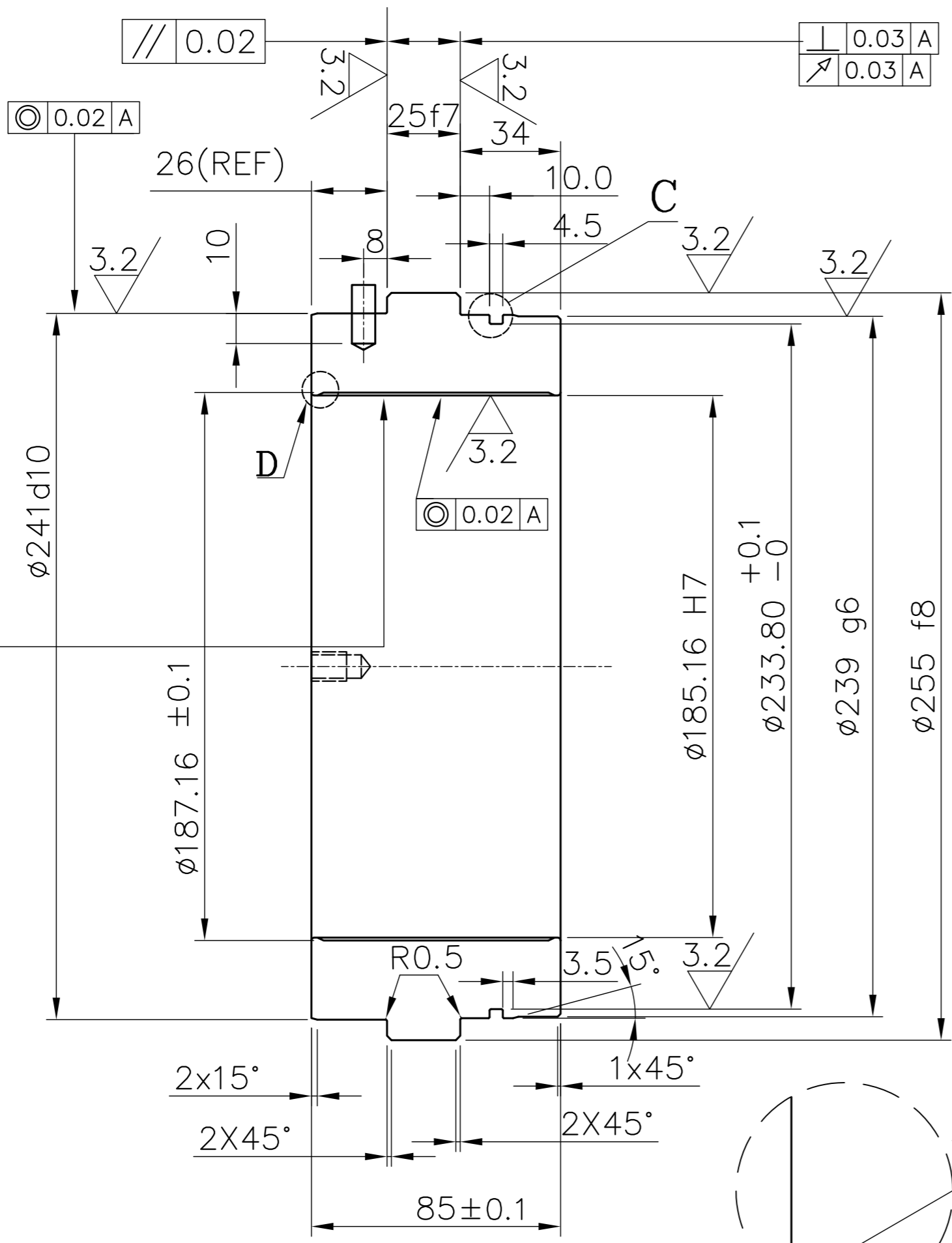
SIGN. AND DATE REF. DRG. NO.

INVENTORY NO

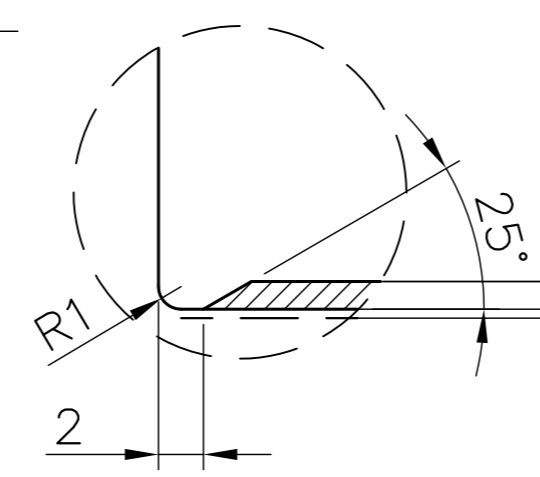
DRG. NO. 2-331-24-00275 SH. 01 OF 01

6.3/3.2

REPORT OF MATERIAL  
ABRADABLE METCO 601  
SPEC.TC72075

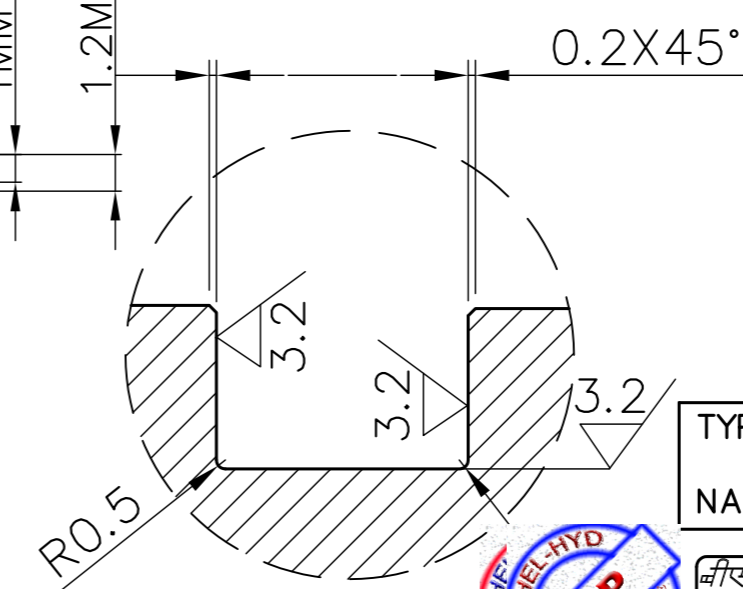
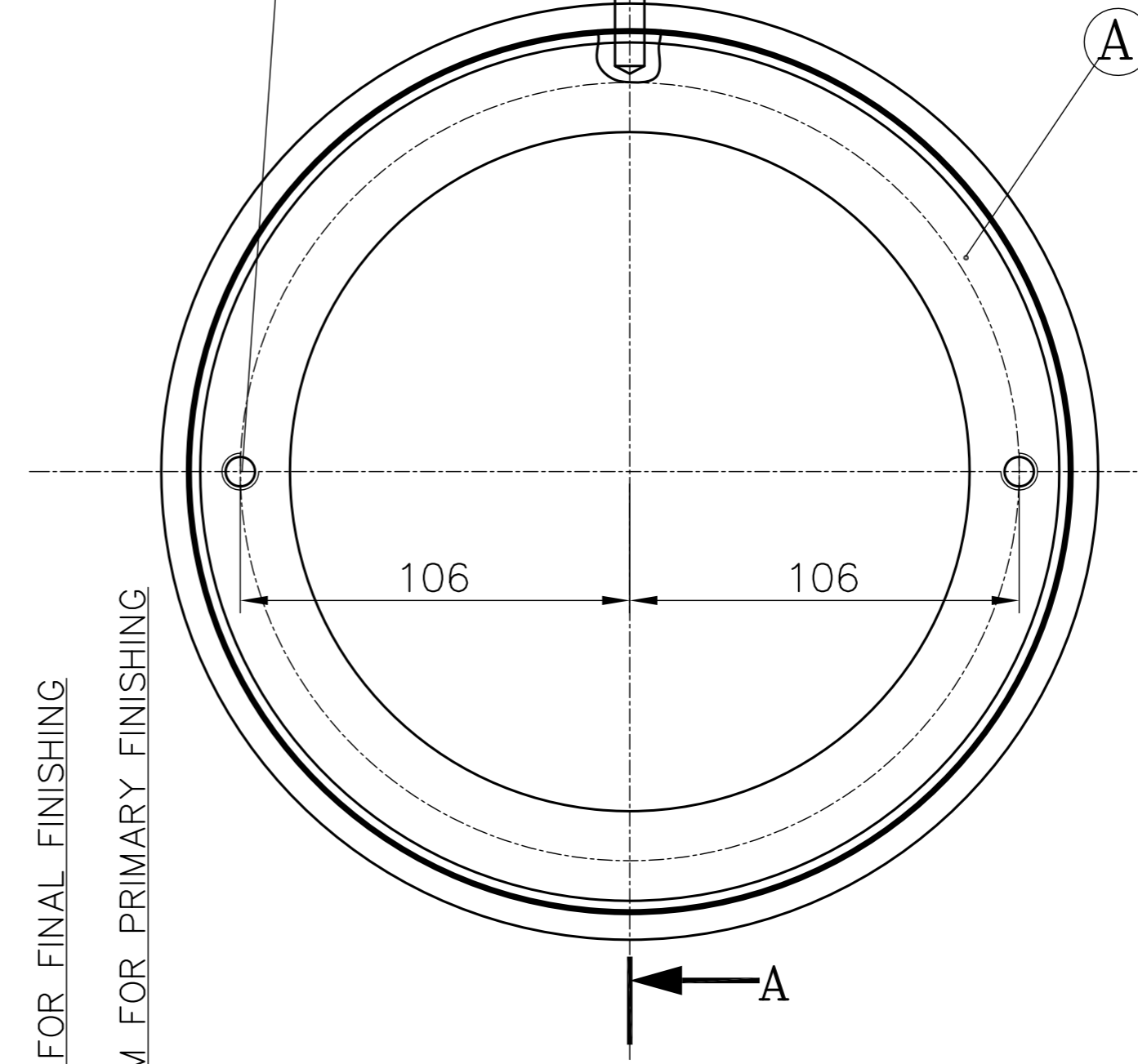


SECTION A-A



DETAIL D

1 HOLE  $\phi 8$  H7 FOR PIN  $\phi 8 \times 16$   
2 HOLES M8 DEPTH 12/17 DIAGONALLY OPP. FOR EXTRACTION



DETAIL C

**NOTE**

- FORGED LAB SEAL MATL: X12CR13
- MATL HARDNESS HB: 200 MAX
- QUALITY CHECKS & TEST REPORTS SHALL BE AS PER TC72075

TYPE OF PRODUCT OR NAME OF CUSTOMER/PROJECT			
DRN.	RNR	SIGN.	DATE
CHD.	NEMA		12.02.22
APPD.	YVRL		12.02.22
NO. OF VAR.			

DEPT. COMPR CODE 420	UNTOL. DIMS. GR. C/M/F	SCALE NTS	WEIGHT (KG) 13.5	REF. TO ASSY. DRG. -N.A.-	ITEM NO. -N.A.-	NO. OF ITEMS -N.A.-
TITLE <b>LAB SEAL ON BALANCE DRUM (ABRADABLE)</b>			CARD CODE N.A.	DRAWING NO. <b>2-331-24-00275</b>		REV. 00
SHT. No 01		NO. OF SHT. 01				