

**TECHNICAL DATA**

MEDIUM D M WATER  
 DESIGN PRESSURE 25 KG/CM<sup>2</sup>  
 HYD. TEST PRESSURE 40 KG/CM<sup>2</sup>

**NOTE -**

THE DETAILS MENTIONED ARE INDICATIVE SUPPLIER TO FURNISH THEIR DETAILED DRAWING

**MATERIALS OF CONSTRUCTION**

ITEM NO	DESCRIPTION	MATERIAL DETAILS
1	FLANGE	S S AISI 316
2	COVER	S S AISI 316
3	GASKET	VITON 2TK
4	GASKET	VITON 2TK
5	GLASS	TOUGHENED BOROSILICATE GLASS 10TK
6	SCREW M8X25	CD PLATED

**PURCHASED**  
 W 90415301262

0-150-00-01234

TG-HW-0500-2

P.A.B. 23.9.98  
 KR GUPTA 25.9.98  
 G. GUPTA 25.9.98

TGE  
 4133

N.T.S.

0-150-00-01234

INSPECTION GLASS NB25

3-150-00-01220



(ALL DIMENSIONS ARE IN mm)

FIRST ANGLE PROJECTION

DRAWING NO. 31500001235

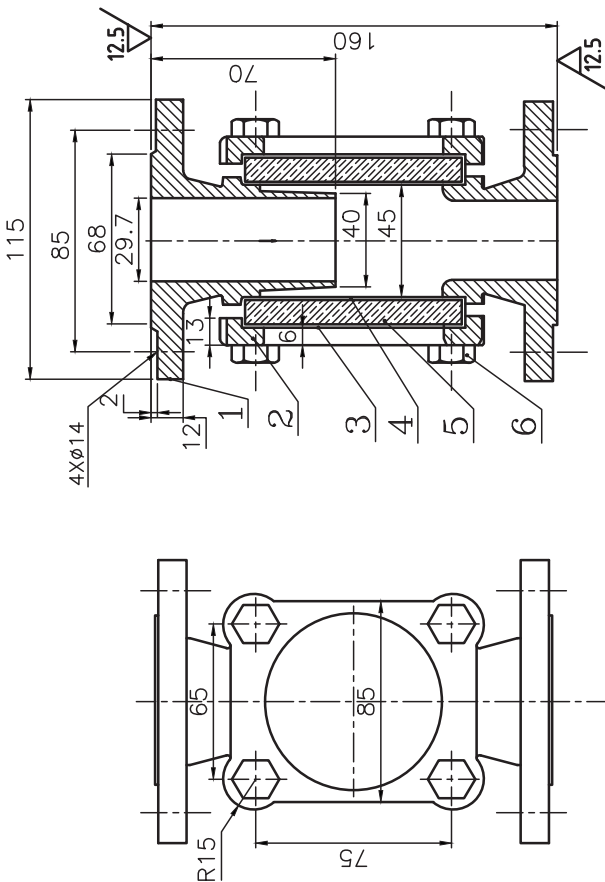
COPYRIGHT AND CONFIDENTIAL  
 BHARAT HEAVY ELECTRICALS LIMITED . IT MUST NOT BE USED DIRECTLY  
 OR INDIRECTLY IN ANY WAY DETRIMENTAL TO THE INTEREST OF THE COMPANY.

**TECHNICAL DATA**

MEDIUM OIL  
 DESIGN PRESSURE 25KG/CM<sup>2</sup>  
 HYD. TEST PRESSURE 40KG/CM<sup>2</sup>

**NOTE-**

THE DETAILS MENTIONED ARE INDICATIVE SUPPLIER  
 TO FURNISH THEIR DETAILED DRAWING.



**MATERIAL OF CONSTRUCTION**

- |                 |                                      |
|-----------------|--------------------------------------|
| <b>ITEM NO.</b> | <b>DESCRIPTION MATERIALS DETAILS</b> |
| 1 FLANGE        | IS:2062 GR:B                         |
| 2 COVER         | IS:2062 GR:B                         |
| 3 GASKET        | VITON 2TK                            |
| 4 GASKET        | VITON 2TK                            |
| 5 GLASS         | TOUGHENED BOROSILICATE GLASS 10TK    |
| 6 SCREW M8X25   | CD PLATED                            |

PURCHASED  
 M904183012354

TYPE OF PRODUCT OR NAME OF CUSTOMER/ PROJECT		THDF 115/67	
STATUS OF DRG.	CBOM NO.	NAME	SIGN
11491301011	11491301011	AEMTUK	AEMTUK
AGREED DEPT.	DATE	DATE	DATE
EMT	06-06-2012	06-06-2012	06-06-2012
GRADE OF UNTOL. DIM.:-	M/CG- V/C/M/F AA 0230208	DRN	SIGN
WELDING-A/B/C/D-AA621104		CHD	STGEPG
GAS CUTTING-T3'AA0621101		APD	STGEPG
REV. DATE	ALtered	SCALE	WEIGHT(Kg.)
CHECKED	CHECKED	4:0	REF. TO ASSY. DRG.
REV. DATE	ALtered	4.0	K01149130101
CHECKED	CHECKED	1	31
REV. DATE	ALtered	ITEM NO.	NO. OF ITEMS
CHECKED	CHECKED	3	75, 77
REV. DATE	ALtered	DRAWING NO.	
CHECKED	CHECKED	31500001235	
REV. DATE	ALtered	SHEET NO.1	NO. OF SHEETS 1
CHECKED	CHECKED	1	1
REV. DATE	ALtered	TITLE	
CHECKED	CHECKED	INSPECTION GLASS	