

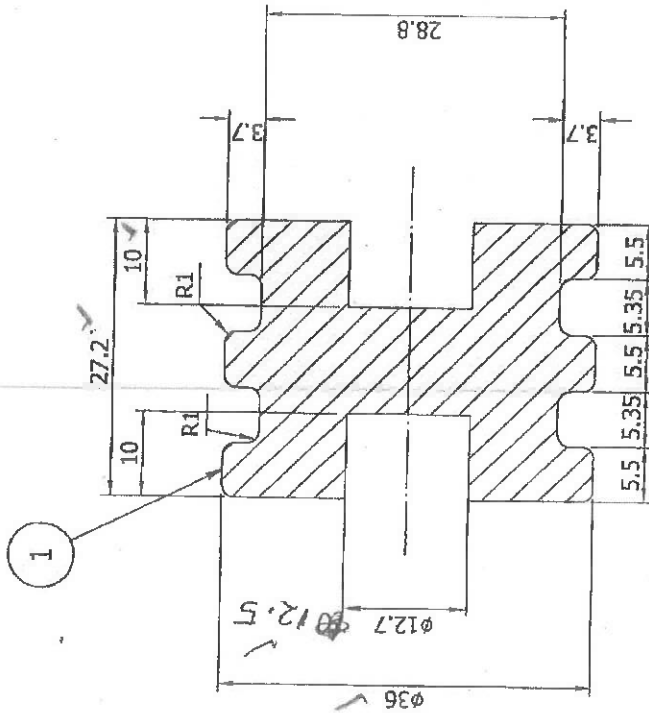
FIRST ANGLE PROJECTION

ALL DIMENSIONS ARE IN mm.

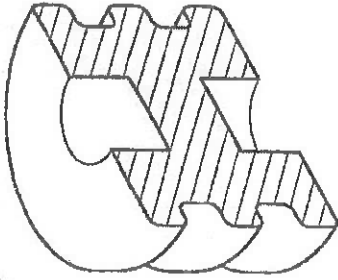
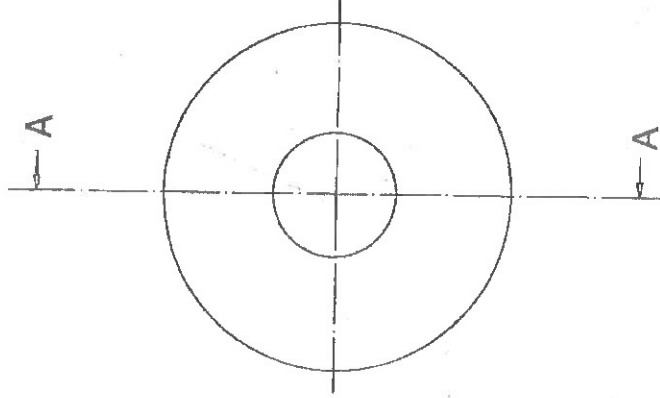
DRG No.

REV

THE INFORMATION ON THIS DOCUMENT IS THE PROPERTY OF BHARAT HEAVY ELECTRICALS LIMITED. IT MUST NOT BE USED DIRECTLY OR INDIRECTLY IN ANY WAY DETRIMENTAL TO THE INTEREST OF THE COMPANY.



VIEW A-A



TECHNICAL DATA

- 1. MATERIAL: 96% ALUMINA
- DIMENSIONAL TOLERANCE: ± 0.1 mm

SL. No.	DESCRIPTION	SPECIFICATION	PART NO.	QTY.
1	INSULATOR	96% ALUMINA		1

TABLE - 1

NAME OF CUSTOMER/PROJECT



BHARAT HEAVY ELECTRICALS LTD.,
ELECTROPORCELAINS DIVISION
BANGALORE - 560 012

DRN
DHANUSH

NAME
Antara Baral

SIGN
[Signature]

DATE
19.12.17

DEPT
CODE

SCALE
N.T.S

DRN
CHD

NAME
K. S. Ravikiran

SIGN
[Signature]

DATE
19.12.17

TITLE
GREEN MACHINING DIMENSION OF 30-2xM6 FEMALE

SCALE
N.T.S

DRN
APPD

NAME
K. S. Ravikiran

SIGN
[Signature]

DATE
19.12.17

GRADE OF
TOL DIM
C/M/F

SCALE
N.T.S

DRN
APPD

NAME
K. S. Ravikiran

SIGN
[Signature]

DATE
19.12.17

ITEM No.

SCALE
N.T.S

DRN
APPD

NAME
K. S. Ravikiran

SIGN
[Signature]

DATE
19.12.17

REF. DRG. No.

SCALE
N.T.S

DRN
APPD

NAME
K. S. Ravikiran

SIGN
[Signature]

DATE
19.12.17

INVENTORY No.

SCALE
N.T.S

DRN
APPD

NAME
K. S. Ravikiran

SIGN
[Signature]

DATE
19.12.17

SIGN AND DATE

SCALE
N.T.S

DRN
APPD

NAME
K. S. Ravikiran

SIGN
[Signature]

DATE
19.12.17

REF. DRG. No.

SCALE
N.T.S

DRN
APPD

NAME
K. S. Ravikiran

SIGN
[Signature]

DATE
19.12.17

SIGN AND DATE

SCALE
N.T.S

DRN
APPD

NAME
K. S. Ravikiran

SIGN
[Signature]

DATE
19.12.17

SIGN AND DATE

SCALE
N.T.S

DRN
APPD

NAME
K. S. Ravikiran

SIGN
[Signature]

DATE
19.12.17

SIGN AND DATE

SCALE
N.T.S

DRN
APPD

NAME
K. S. Ravikiran

SIGN
[Signature]

DATE
19.12.17

SIGN AND DATE

SCALE
N.T.S

DRN
APPD

NAME
K. S. Ravikiran

SIGN
[Signature]

DATE
19.12.17

SIGN AND DATE

SCALE
N.T.S

DRN
APPD

NAME
K. S. Ravikiran

SIGN
[Signature]

DATE
19.12.17

SIGN AND DATE

SCALE
N.T.S

DRN
APPD

NAME
K. S. Ravikiran

SIGN
[Signature]

DATE
19.12.17

SIGN AND DATE

SCALE
N.T.S

DRN
APPD

NAME
K. S. Ravikiran

SIGN
[Signature]

DATE
19.12.17

SIGN AND DATE

SCALE
N.T.S

DRN
APPD

NAME
K. S. Ravikiran

SIGN
[Signature]

DATE
19.12.17

SIGN AND DATE

SCALE
N.T.S

DRN
APPD

NAME
K. S. Ravikiran

SIGN
[Signature]

DATE
19.12.17

SIGN AND DATE

SCALE
N.T.S

DRN
APPD

NAME
K. S. Ravikiran

SIGN
[Signature]

DATE
19.12.17

SIGN AND DATE

SCALE
N.T.S

DRN
APPD

NAME
K. S. Ravikiran

SIGN
[Signature]

DATE
19.12.17

SIGN AND DATE

SCALE
N.T.S

DRN
APPD

NAME
K. S. Ravikiran

SIGN
[Signature]

DATE
19.12.17

SIGN AND DATE

SCALE
N.T.S

DRN
APPD

NAME
K. S. Ravikiran

SIGN
[Signature]

DATE
19.12.17

SIGN AND DATE

SCALE
N.T.S

DRN
APPD

NAME
K. S. Ravikiran

SIGN
[Signature]

DATE
19.12.17

SIGN AND DATE

SCALE
N.T.S

DRN
APPD

NAME
K. S. Ravikiran

SIGN
[Signature]

DATE
19.12.17

SIGN AND DATE

SCALE
N.T.S

DRN
APPD

NAME
K. S. Ravikiran

SIGN
[Signature]

DATE
19.12.17

SIGN AND DATE

SCALE
N.T.S

DRN
APPD

NAME
K. S. Ravikiran

SIGN
[Signature]

DATE
19.12.17

SIGN AND DATE

SCALE
N.T.S

DRN
APPD

NAME
K. S. Ravikiran

SIGN
[Signature]

DATE
19.12.17

SIGN AND DATE

SCALE
N.T.S

DRN
APPD

NAME
K. S. Ravikiran

SIGN
[Signature]

DATE
19.12.17

SIGN AND DATE

SCALE
N.T.S

DRN
APPD

NAME
K. S. Ravikiran

SIGN
[Signature]

DATE
19.12.17

SIGN AND DATE

SCALE
N.T.S

DRN
APPD

NAME
K. S. Ravikiran

SIGN
[Signature]

DATE
19.12.17

SIGN AND DATE

SCALE
N.T.S

DRN
APPD

NAME
K. S. Ravikiran

SIGN
[Signature]

DATE
19.12.17

SIGN AND DATE

SCALE
N.T.S

DRN
APPD

NAME
K. S. Ravikiran

SIGN
[Signature]

DATE
19.12.17

SIGN AND DATE

SCALE
N.T.S

DRN
APPD

NAME
K. S. Ravikiran

SIGN
[Signature]

DATE
19.12.17

SIGN AND DATE

SCALE
N.T.S

DRN
APPD

NAME
K. S. Ravikiran

SIGN
[Signature]

DATE
19.12.17

SIGN AND DATE

SCALE
N.T.S

DRN
APPD

NAME
K. S. Ravikiran

SIGN
[Signature]

DATE
19.12.17

SIGN AND DATE

SCALE
N.T.S

DRN
APPD

NAME
K. S. Ravikiran

SIGN
[Signature]

DATE
19.12.17

SIGN AND DATE

SCALE
N.T.S

DRN
APPD

NAME
K. S. Ravikiran

SIGN
[Signature]

DATE
19.12.17

SIGN AND DATE

SCALE
N.T.S

DRN
APPD

NAME
K. S. Ravikiran

SIGN
[Signature]

DATE
19.12.17

SIGN AND DATE

SCALE
N.T.S

DRN
APPD

NAME
K. S. Ravikiran

SIGN
[Signature]

DATE
19.12.17

SIGN AND DATE

SCALE
N.T.S

DRN
APPD

NAME
K. S. Ravikiran

SIGN
[Signature]

DATE
19.12.17

SIGN AND DATE

SCALE
N.T.S

DRN
APPD

NAME
K. S. Ravikiran

SIGN
[Signature]

DATE
19.12.17

SIGN AND DATE

SCALE
N.T.S

DRN
APPD

NAME
K. S. Ravikiran

SIGN
[Signature]

DATE
19.12.17

SIGN AND DATE

SCALE
N.T.S

DRN
APPD

NAME
K. S. Ravikiran

SIGN
[Signature]

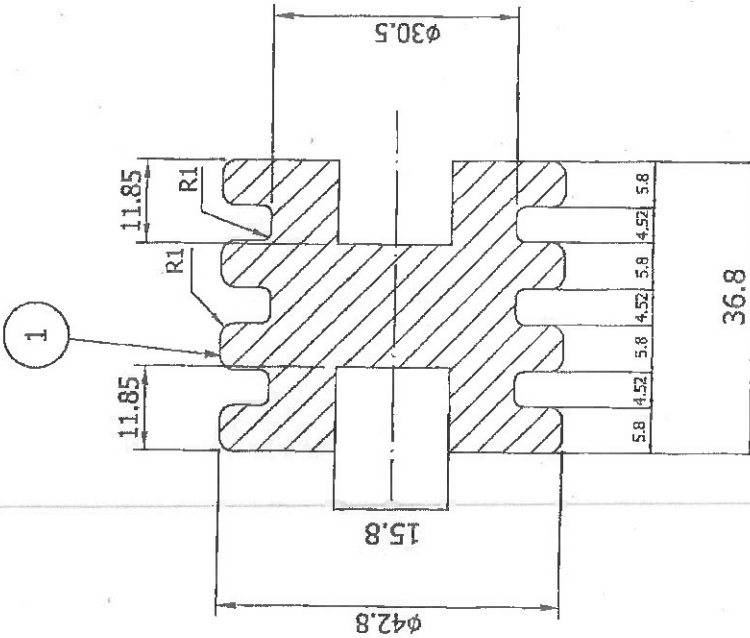
FIRST ANGLE PROJECTION

ALL DIMENSIONS ARE IN mm.

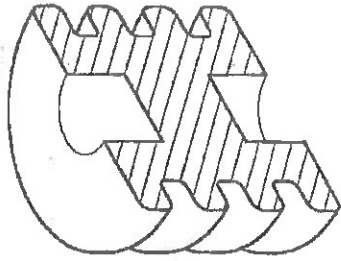
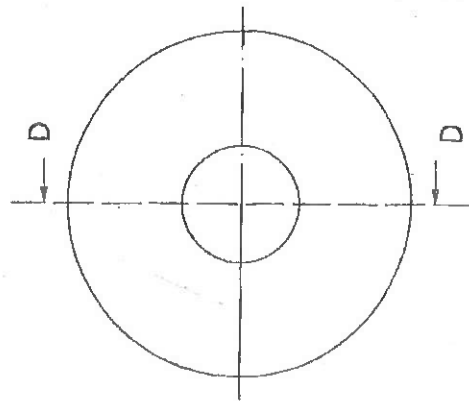
DRG No.

REV

THE INFORMATION ON THIS DOCUMENT IS THE PROPERTY OF BHARAT HEAVY ELECTRICALS LIMITED. IT MUST NOT BE USED DIRECTLY OR INDIRECTLY IN ANY WAY DETRIMENTAL TO THE INTEREST OF THE COMPANY



VIEW D-D



TECHNICAL DATA

1. MATERIAL: 96% ALUMINA
DIMENSIONAL TOLERANCE: ±0.1 mm

SL No.	INSULATOR DESCRIPTION	96% ALUMINA SPECIFICATION	PART NO.	QTY.
1				1

TABLE - 1

NAME OF CUSTOMER/PROJECT



BHARAT HEAVY ELECTRICALS LTD.,
ELECTROPORCELAINS DIVISION
BANGALORE - 560 012

DRN	NAME	SIGN	DATE
DRN	DHANUSH	[Signature]	19.12.17
CHD	Antara Baral	[Signature]	19.12.17
APPD	K S Ravishanker	[Signature]	19.12.17

DEPT CODE	GRADE OF TOL DIM C/M/F	SCALE N.T.S	WEIGHT (gms) REF TO ASSY.DRG (Approv)	ITEM No.	NO. OF ITEMS
			87.0	3 987 60 00200	

TITLE
GREEN MACHINING DIMENSION OF 36-M8 MALE FEMALE

DRAWING NO.
3 987 60 00500

SHEET No. No. OF SHEETS

SUPERSEDES DRG. No.

SHT.24 SIZE A3 420 x 297

INVENTORY No.

SIGN AND DATE

REF. DRG. No.

REV	DATE	ALTERED	CHECKED

REV	DATE	ALTERED	CHECKED

