

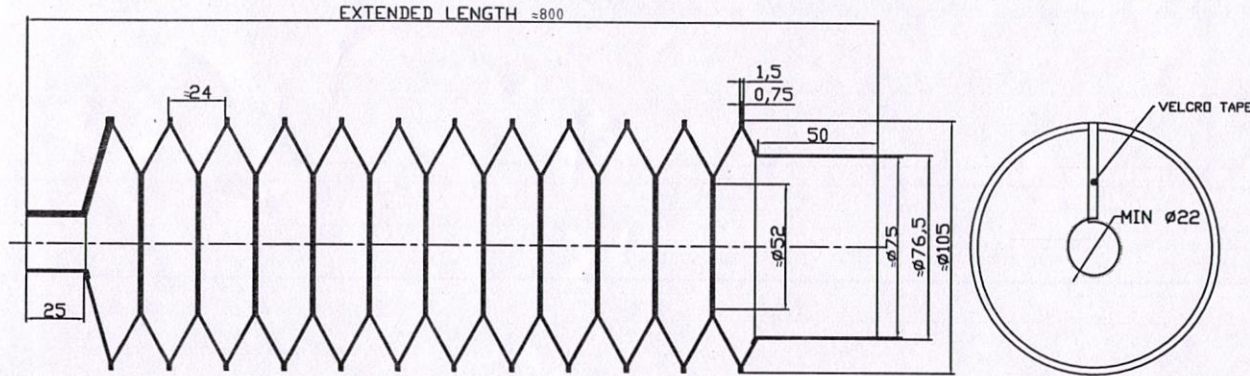
FIRST ANGLE PROJECTION

(ALL DIMENSIONS ARE IN mm)

FORM: DG-38(B)

DRAWING NO. DEG-SP-234

COPYRIGHT AND CONFIDENTIAL
 THE INFORMATION ON THIS DOCUMENT IS THE PROPERTY OF
 BHARAT HEAVY ELECTRICALS LIMITED . IT MUST NOT BE USED DIRECTLY
 OR INDIRECTLY IN ANY WAY DETRIMENTAL TO THE INTEREST OF THE COMPANY.



1. CLOSED LENGTH - 150.
2. TRAVERSE - 680.
3. EXTENDED/WORKING LENGTH - 800.
4. THE BELLOW SHALL BE MADE OUT OF TPU COATED POLYIMIDE FABRIC STICHD WITH BONDEX THREAD; THE FABRIC AND THREAD USED SHALL BE RESISTANT TO DUST ,WATER,OIL AND HEAT,SHALL WITHSTAND TEMP* UPTO 60°. VELCRO TAPES SHALL BE USED TO PROVIDE FOR LEAKPROOF FASTENNING OF OPEN ENDS.
5. THE DRAWING IS FOR REFERENCE ONLY AND PARTY SHALL VISIT THE SITE AND TAKE ALL NECESSARY MEASUREMENTS REQUIRED FOR MANUFACTURE AND FITTING OF BELLOW.
6. PARTY SHALL BE REQUIRED TO VISIT THE SITE AT BHEL HARIDWAR FOR FITTING OF FIRST LOT OF BELLOW COVER.
7. PARTY SHALL GIVE PERFORMANCE GUARNTTEE FOR 24 MONTHS FROM THE DATE OF RECIPT AT BHEL STORE.



MAT.-TPU COATED
POLYAMIDE FABRIC (IS:1259-1984)

SAMPLE REF. DRG NO.
 SIGN & DATE
 INVENTORY NO. 22-04-01/171

GRADE OF UNTOL. DIM.:-		CBOM NO. _____		STATUS OF DRG. _____		TYPE OF PRODUCT 5MW SOLAR PLANT		PLAN NO.-	
M/CG- X/Q/M/P AA 0230208		AGREED DEPT. _____		NAME _____		OR		BLOCK-SOLAR PLANT	
WELDING-A/B/C/D-AA621104		SIGN _____		DATE _____		NAME OF CUSTOMER/ PROJECT			
GAS CUTTING-T3'AA0621101		REV. _____		DATE _____		BHARAT HEAVY ELECTRICALS LTD. HARDWAR		DRN DUGTAL CHD KAMLENDRA APD VIKASH KR	
REV. DATE ALTERED CHECKED		REV. DATE ALTERED CHECKED		DEPT. WEX		SCALE 1:2		WEIGHT(Kg.)	
Kamz Don				CODE DESIGN		REF. TO ASSY. DRG.		ITEM NO.	
				TITLE BELLOW COVER		DRAWING NO. DEG-SP-234		NO. OF ITEMS	
				(PISTON END ACTUATOR,5MW SOLAR PLANT)		SHEET NO. 01		NO. OF SHEETS 01	

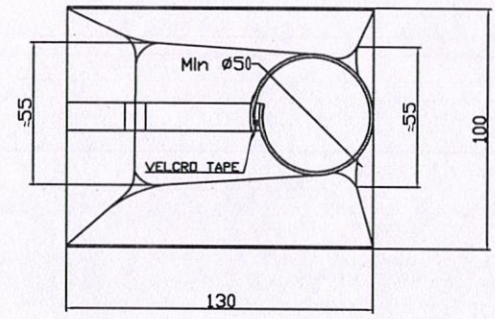
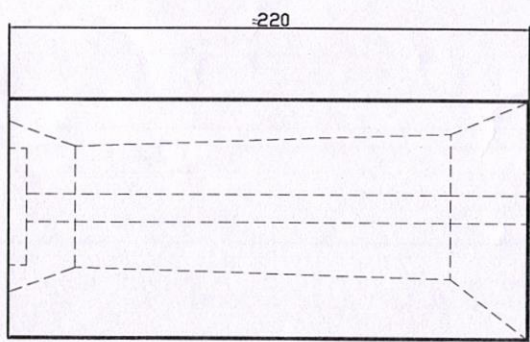
FIRST ANGLE PROJECTION

(ALL DIMENSIONS ARE IN mm)

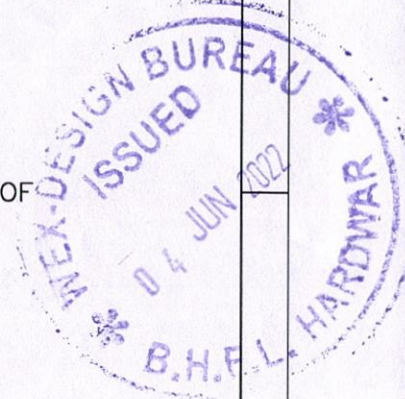
FORM: DG-38(B)

DRAWING NO. DEG-SP-235

COPYRIGHT AND CONFIDENTIAL
THE INFORMATION ON THIS DOCUMENT IS THE PROPERTY OF
BHARAT HEAVY ELECTRICALS LIMITED . IT MUST NOT BE USED DIRECTLY
OR INDIRECTLY IN ANY WAY DETRIMENTAL TO THE INTEREST OF THE COMPANY.



1. THE COVER FOR MOTOR ENDS SHALL BE MADE OUT OF TPU COATED POLYIMIDE FABRIC STICED WITH BONDEX THREAD ONLY, BOTH THE FABRIC & THREAD USED SHALL BE RESISTENT TO DUST WATER OIL & HEAT & SHALL WITHSTAND TEMP' UPTO 60°; VELCRO TAPES SHALL BE USED TO PROVIDE FOR LEAKPROOF FASTENING OF OPEN ENDS.
2. THE DRAWING IS FOR REFERENCE ONLY AND PARTY SHALL VISIT THE SITE AT BHEL HARIDWAR AND TAKE ALL NECESSARY MEASUREMENTS REQUIRED FOR MANUFACTURING AND FITTING OF MOTOR ASSEMBLY COVER.
3. PARTY SHALL BE REQUIRED TO VISIT THE SITE AT BHEL HARIDWAR FOR FITTING OF FIRST LOT OF COVER.
4. PARTY SHALL GIVE PERFORMANCE GUARANTEE FOR 24 MONTHS FROM DATE OF RECIEPT AT BHEL STORE.



MAT.-TPU COATED
POLYAMIDE FABRIC (IS:1259-1984)

SAMPLE REF. DRG NO.
SIGN & DATE
22-04-02/171 INVENTORY NO.

GRADE OF UNTOL DIM.:-		CBOM NO.		STATUS OF DRG.		TYPE OF PRODUCT		PLAN NO.-	
M/CG- X/q/M/f AA 0230208		---		---		5MW SOLAR PLANT		---	
WELDING-A/B/C/D-AA621104		AGREED DEPT.		NAME		OR		BLOCK-SOLAR PLANT	
GAS CUTTING-'T3'AA0621101		---		---		NAME OF CUSTOMER/ PROJECT		---	
REV. DATE ALTERED CHECKED		REV. DATE ALTERED CHECKED		DEPT. WEX		SCALE 1:2		WEIGHT(Kg.)	
---		---		CODE DESIGN		---		---	
Kormz		Dany		BHEL		BHARAT HEAVY ELECTRICALS LTD.		DRN DUGTAL	
---		---		---		HARDWAR		CHD KAMLENDRA	
---		---		---		---		APD VIKASH KR	
---		---		---		---		REF. TO ASSY. DRG.	
---		---		---		---		ITEM NO.	
---		---		---		---		NO. OF ITEMS	
---		---		---		---		75, 74	
---		---		---		---		75, 77	
---		---		---		---		DRAWING NO.	
---		---		---		---		DEG-SP-235	
---		---		---		---		SHEET NO. 01	
---		---		---		---		NO. OF SHEETS 01	
---		---		---		---		NO. OF ITEMS	
---		---		---		---		22, 23, 24	
---		---		---		---		NO. OF SHEETS	
---		---		---		---		01	
---		---		---		---		NO. OF SHEETS	
---		---		---		---		01	
---		---		---		---		NO. OF SHEETS	
---		---		---		---		01	
---		---		---		---		NO. OF SHEETS	
---		---		---		---		01	
---		---		---		---		NO. OF SHEETS	
---		---		---		---		01	
---		---		---		---		NO. OF SHEETS	
---		---		---		---		01	
---		---		---		---		NO. OF SHEETS	
---		---		---		---		01	
---		---		---		---		NO. OF SHEETS	
---		---		---		---		01	
---		---		---		---		NO. OF SHEETS	
---		---		---		---		01	
---		---		---		---		NO. OF SHEETS	
---		---		---		---		01	
---		---		---		---		NO. OF SHEETS	
---		---		---		---		01	
---		---		---		---		NO. OF SHEETS	
---		---		---		---		01	
---		---		---		---		NO. OF SHEETS	
---		---		---		---		01	
---		---		---		---		NO. OF SHEETS	
---		---		---		---		01	
---		---		---		---		NO. OF SHEETS	
---		---		---		---		01	
---		---		---		---		NO. OF SHEETS	
---		---		---		---		01	
---		---		---		---		NO. OF SHEETS	
---		---		---		---		01	
---		---		---		---		NO. OF SHEETS	
---		---		---		---		01	
---		---		---		---		NO. OF SHEETS	
---		---		---		---		01	
---		---		---		---		NO. OF SHEETS	
---		---		---		---		01	
---		---		---		---		NO. OF SHEETS	
---		---		---		---		01	
---		---		---		---		NO. OF SHEETS	
---		---		---		---		01	
---		---		---		---		NO. OF SHEETS	
---		---		---		---		01	
---		---		---		---		NO. OF SHEETS	
---		---		---		---		01	
---		---		---		---		NO. OF SHEETS	
---		---		---		---		01	
---		---		---		---		NO. OF SHEETS	
---		---		---		---		01	
---		---		---		---		NO. OF SHEETS	
---		---		---		---		01	
---		---		---		---		NO. OF SHEETS	
---		---		---		---		01	
---		---		---		---		NO. OF SHEETS	
---		---		---		---		01	
---		---		---		---		NO. OF SHEETS	
---		---		---		---		01	
---		---		---		---		NO. OF SHEETS	
---		---		---		---		01	
---		---		---		---		NO. OF SHEETS	
---		---		---		---		01	
---		---		---		---		NO. OF SHEETS	
---		---		---		---		01	
---		---		---		---		NO. OF SHEETS	
---		---		---		---		01	
---		---		---		---		NO. OF SHEETS	
---		---		---		---		01	
---		---		---		---		NO. OF SHEETS	
---		---		---		---		01	
---		---		---		---		NO. OF SHEETS	
---		---		---		---		01	
---		---		---		---		NO. OF SHEETS	
---		---		---		---		01	
---		---		---		---		NO. OF SHEETS	
---		---		---		---		01	
---		---		---		---		NO. OF SHEETS	
---		---		---		---		01	
---		---		---		---		NO. OF SHEETS	
---		---		---		---		01	
---		---		---		---		NO. OF SHEETS	
---		---		---		---		01	
---		---		---		---		NO. OF SHEETS	
---		---		---		---		01	
---		---		---		---		NO. OF SHEETS	
---		---		---		---		01	
---		---		---		---		NO. OF SHEETS	
---		---		---		---		01	
---		---		---		---		NO. OF SHEETS	
---		---		---		---		01	
---		---		---		---		NO. OF SHEETS	
---		---		---		---		01	
---		---		---		---		NO. OF SHEETS	
---		---		---		---		01	
---		---		---		---		NO. OF SHEETS	
---		---		---		---		01	
---		---		---		---		NO. OF SHEETS	
---		---		---		---		01	
---		---		---		---		NO. OF SHEETS	
---		---		---		---		01	
---		---		---		---		NO. OF SHEETS	
---		---		---		---		01	
---		---		---		---		NO. OF SHEETS	
---		---		---		---		01	
---		---		---		---		NO. OF SHEETS	
---		---		---		---		01	
---		---		---		---		NO. OF SHEETS	
---		---		---		---		01	
---		---		---		---		NO. OF SHEETS	
---		---		---		---		01	
---		---		---		---		NO. OF SHEETS	
---		---		---		---		01	
---		---		---		---		NO. OF SHEETS	
---		---		---		---		01	
---		---		---		---		NO. OF SHEETS	
---		---		---		---		01	
---		---		---		---		NO. OF SHEETS	
---		---		---		---		01	
---		---		---		---		NO. OF SHEETS	
---		---		---		---		01	
---		---		---		---		NO. OF SHEETS	
---		---		---		---		01	
---		---		---		---		NO. OF SHEETS	
---		---		---		---		01	
---		---		---		---		NO. OF SHEETS	
---		---		---		---		01	
---		---		---		---		NO. OF SHEETS	
---		---		---		---		01	
---		---		---		---		NO. OF SHEETS	
---		---		---		---		01	
---		---		---		---		NO. OF SHEETS	
---		---		---		---		01	
---		---		---		---		NO. OF SHEETS	
---		---		---		---		01	
---		---		---		---		NO. OF SHEETS	
---		---		---		---		01	
---		---		---		---		NO. OF SHEETS	
---		---		---		---		01	
---		---		---		---		NO. OF SHEETS	
---		---		---		---		01	
---		---		---		---		NO. OF SHEETS	
---		---		---		---		01	
---		---		---		---		NO. OF SHEETS	
---		---		---		---		01	
---		---		---		---		NO. OF SHEETS	
---		---		---		---		01	
---		---		---		---		NO. OF SHEETS	
---		---		---		---		01	
---		---		---		---		NO. OF SHEETS	
---		---		---		---		01	
---		---		---		---		NO. OF SHEETS	
---		---		---		---		01	
---		---		---		---		NO. OF SHEETS	
---		---		---		---		01	
---		---		---		---		NO. OF SHEETS	
---		---		---		---		01	
---		---		---		---		NO. OF SHEETS	
---		---		---		---		01	
---		---		---		---		NO. OF SHEETS	
---		---		---		---		01	
---		---		---		---		NO. OF SHEETS	
---		---		---		---		01	
---		---		---		---		NO. OF SHEETS	
---		---		---		---		01	
---		---		---		---		NO. OF SHEETS	
---		---		---		---		01	
---		---		---		---		NO. OF SHEETS	
---		---		---		---		01	
---		---		---		---		NO. OF SHEETS	
---		---		---		---		01	
---		---		---		---		NO. OF SHEETS	
---		---		---		---		01	
---		---		---		---		NO. OF SHEETS	
---		---		---		---		01	
---		---		---		---		NO. OF SHEETS	
---		---		---		---		01	
---		---		---		---		NO. OF SHEETS	
---		---		---		---		01	
---		---		---		---		NO. OF SHEETS	
---		---		---		---		0	