

93000-01-263-3 DRG. NO.

JD HS

6.3 / 3.2 /

THE INFORMATION ON THIS DOCUMENT IS THE PROPERTY OF BHARAT HEAVY ELECTRICALS LIMITED. IT MUST NOT BE USED DIRECTLY OR INDIRECTLY IN ANY WAY DETRIMENTAL TO THE INTEREST OF THE COMPANY

COMPUTER FILE NAME

REF. DRG. NO.

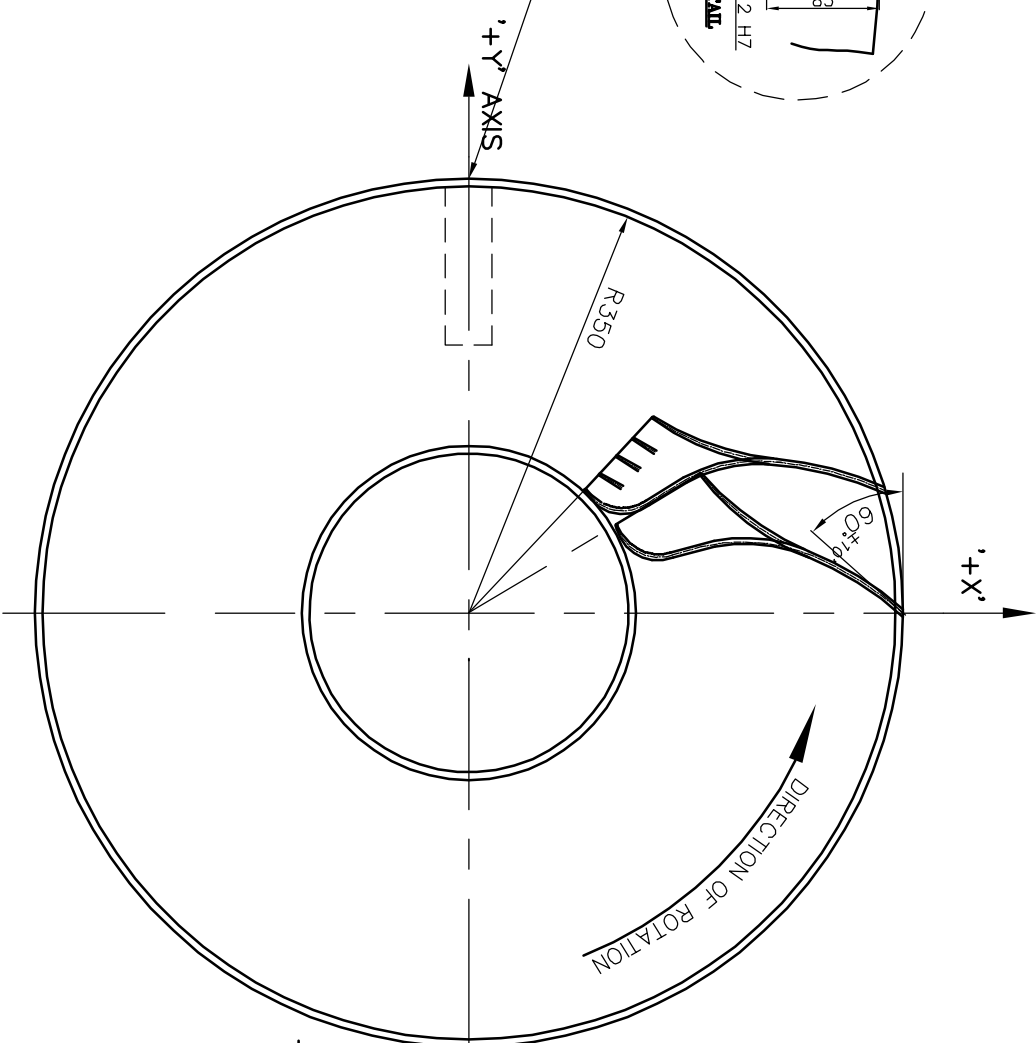
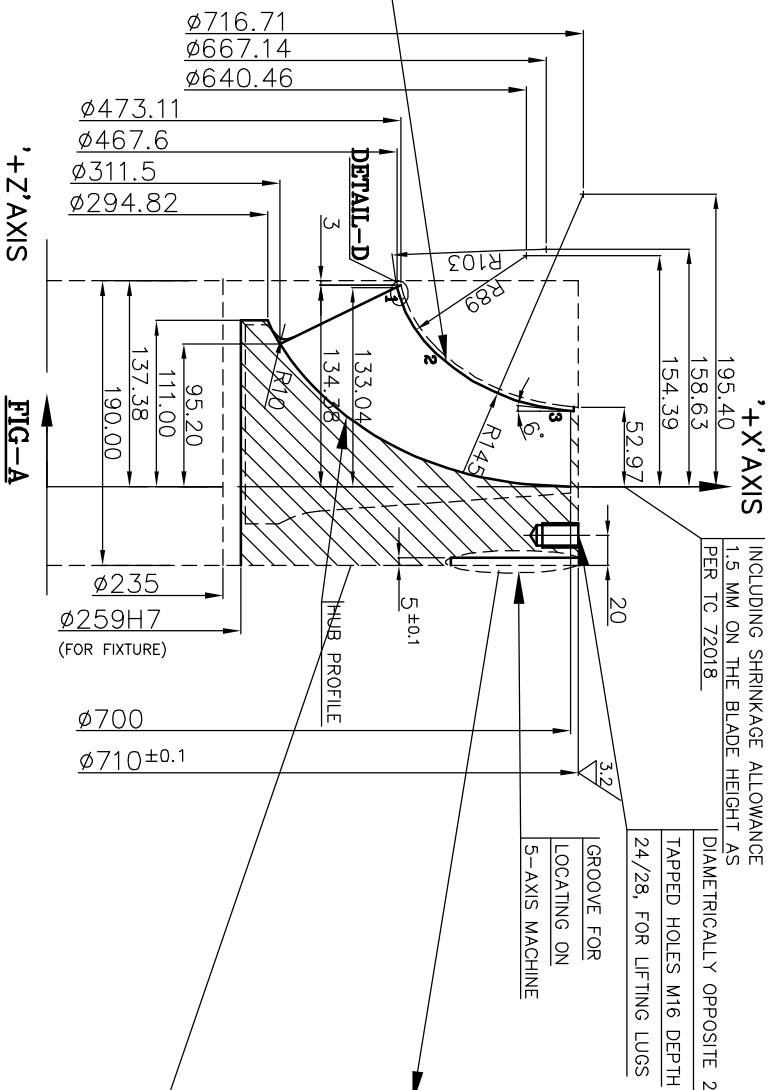
SIGN. AND DATE

INVENTORY NO

GENERAL DIMENSIONAL LIMITS, FITS & TOLERANCES AS PER HY0230261

POINT	Z	DIA
1	127.4165	ø470.8270
2	89.2047	ø519.2618
3	51.1982	ø686.3996

VIEW - M



NOTE:

1. FOR VANE MILLING OPERATION REFERENCE AXES ARE MARKED ON THE DRAWING. DIMENSION MARKED ** SHOWS POSITION OF X-Y PLANE. THIS DIMENSION SHALL BE MAINTAINED.
2. USE THIS DRAWING FOR MOCK UP MILLING OF ONE SET OF BLADES ON A C.S PLATE TO PROVE 3D BLADE MILLING PROGRAMME BEFORE TAKING UP ACTUAL JOB.
3. BLADE GEOMETRY IS AS PER THE UG MODEL PROVIDED ALSO REFER TC93114
4. REFER DRAWING 13321001074-00 FOR JOB IMPELLER DETAILS

DEPT. CDMPR. CODE 420		UNTDL. DIMS. GR. C/M/F		SCALE N.T.S		WEIGHT (KG) 340		REF. TO ASSY. DRG. -NA-		ITEM NO. -NA-		NO. OF ITEMS -NA-	
BHARAT HEAVY ELECTRICALS LTD. HYDERABAD		N5 ø700 CCW		N.T.S		340		DRG. NO. 3-332-10-00036		12.01.21		12.01.21	
TYPE OF PRODUCT OR NAME OF CUSTOMER/PROJECT		TITLE		SCALE		WEIGHT (KG)		REF. TO ASSY. DRG.		ITEM NO.		NO. OF ITEMS	
MOCK UP 3D IMPELLER		N5 ø700 CCW		N.T.S		340		-NA-		-NA-		-NA-	
DRAWING NO. 3-332-10-00036		SHT. NO. 01		NO. OF SHT. 01		REV. 00							

AS000-01-263-3 DRG. NO.

JD HS

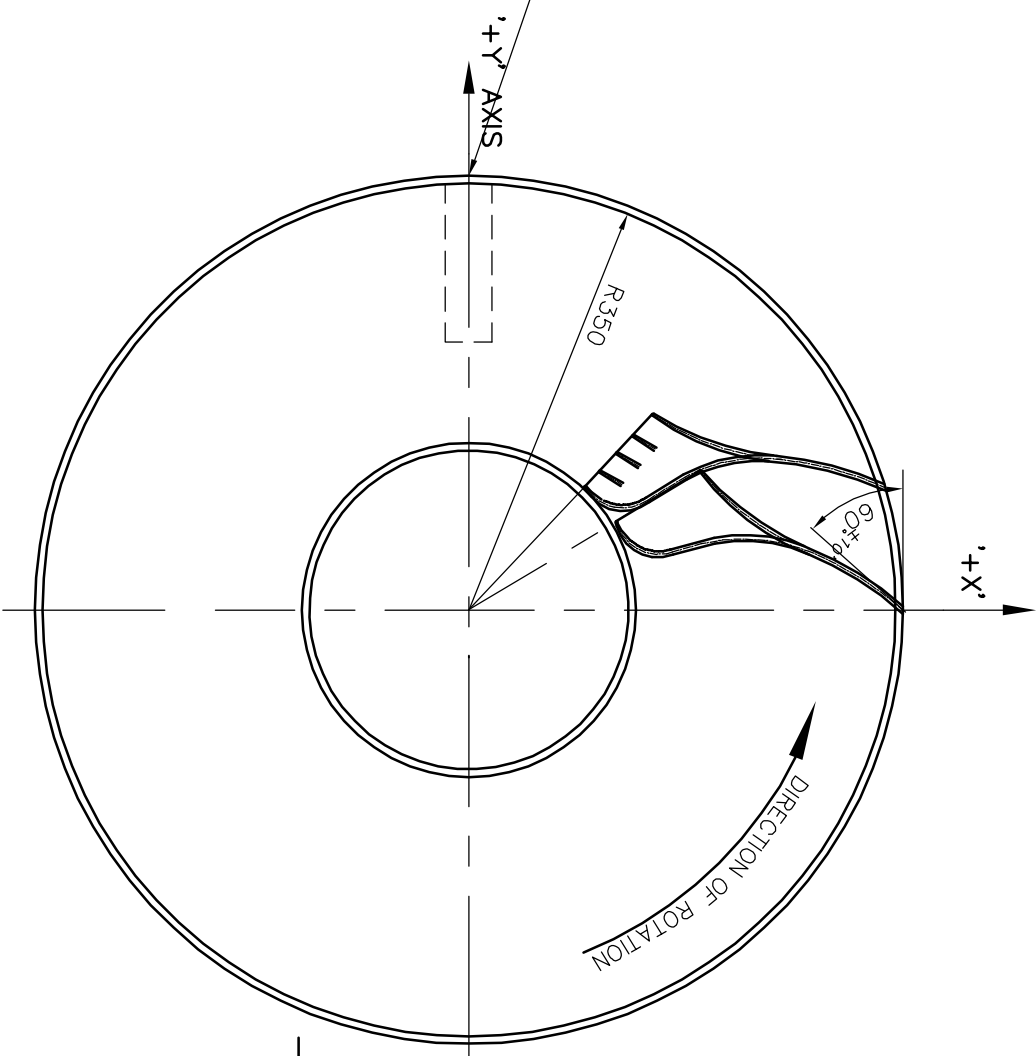
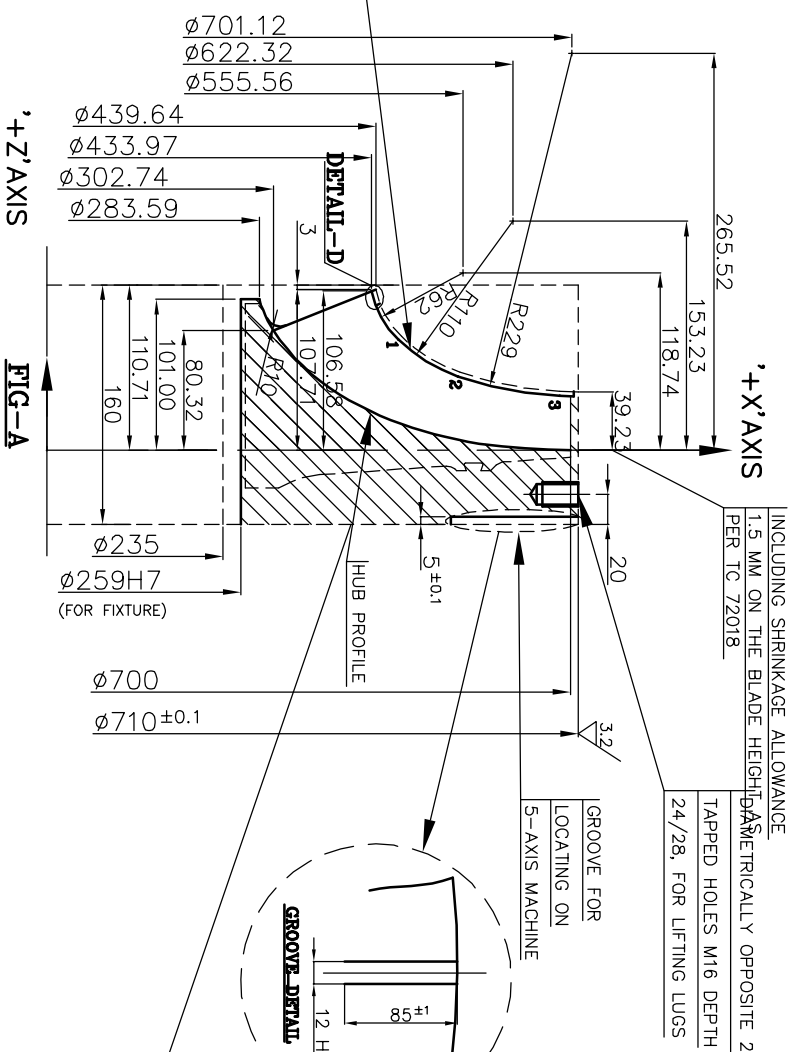
6.3 / 3.2

THE INFORMATION ON THIS DOCUMENT IS THE PROPERTY OF BHARAT HEAVY ELECTRICALS LIMITED. IT MUST NOT BE USED DIRECTLY OR INDIRECTLY IN ANY WAY DETRIMENTAL TO THE INTEREST OF THE COMPANY

GENERAL DIMENSIONAL LIMITS, FITS & TOLERANCES AS PER HY0230261

POINT	Z	DIA
1	74.1793	ø469.3344
2	49.4364	ø549.4692
3	36.6577	ø685.1382

VIEW - M



VIEW-M

- NOTE:
1. FOR VANE MILLING OPERATION REFERENCE AXES ARE MARKED ON THE DRAWING. DIMENSION MARKED ** SHOWS POSITION OF X-Y PLANE. THIS DIMENSION SHALL BE MAINTAINED.
 2. USE THIS DRAWING FOR MOCK UP MILLING OF ONE SET OF BLADES ON A C.S PLATE TO PROVE 3D BLADE MILLING PROGRAMME BEFORE TAKING UP ACTUAL JOB.
 3. BLADE GEOMETRY IS AS PER THE UG MODEL PROVIDED ALSO REFER TC93114
 4. REFER DRAWING 13321001075-00 FOR JOB IMPELLER DETAILS

INVENTORY NO	SIGN. AND DATE	REF. DRG. NO.	COMPUTER FILE NAME

DEPT. CDMPR. CODE 420		UNTDL. DIMS. GR. C/M/F		SCALE N.T.S		WEIGHT (KG) 280		CARD CODE NA.		SHT. No 01		ND. OF SHT. 01	
BHARAT HEAVY ELECTRICALS LTD. HYDERABAD		N9 ø700 CCW		N.T.S		280		NA.		01		01	
TYPE OF PRODUCT OR NAME OF CUSTOMER/PROJECT		TITLE		SCALE		WEIGHT (KG)		CARD CODE		SHT. No		ND. OF SHT.	
MOCK UP 3D IMPELLER		N9 ø700 CCW		N.T.S		280		NA.		01		01	
DRAWING NO. 3-332-10-00037		REV. 00		DATE 12.01.21		SIGN. KVS		NAME KVS		SIGN. NEMA		NAME NEMA	
DRAWING NO. 3-332-10-00037		REV. 00		DATE 12.01.21		SIGN. NEMA		NAME NEMA		SIGN. NEMA		NAME NEMA	

